



US00D655000S

(12) **United States Design Patent**
Mirigian

(10) **Patent No.:** **US D655,000 S**

(45) **Date of Patent:** **** Feb. 28, 2012**

(54) **SYRINGE HOLDER**

(76) Inventor: **Aram J. Mirigian**, Sudbury, MA (US)

(**) Term: **14 Years**

(21) Appl. No.: **29/353,686**

(22) Filed: **Jan. 13, 2010**

(51) **LOC (9) Cl.** **24-02**

(52) **U.S. Cl.** **D24/130**

(58) **Field of Classification Search** D24/128,
D24/130; 211/60.1, 74, 85.13, 85.18, 89.01,
211/71.01; 206/366, 369; 248/126, 130,
248/121, 125.1, 125.9

See application file for complete search history.

(56) **References Cited**

U.S. PATENT DOCUMENTS

168,715	A *	10/1875	Buck	108/92
1,153,062	A *	9/1915	Gourlay	211/55
1,647,039	A *	10/1927	Fischer	248/309.1
D121,485	S *	7/1940	Spanel	D6/457
2,697,294	A *	12/1954	Zenker et al.	40/539
D208,283	S *	8/1967	Cranfill	D6/457
3,727,771	A *	4/1973	Hoffman	211/69
D229,997	S *	1/1974	Hoffman	D6/457
D244,323	S *	5/1977	Stone	D3/25
4,461,790	A *	7/1984	Snider	428/7
D279,385	S *	6/1985	Lieberman	D19/77
D295,315	S *	4/1988	Nelson	D24/130
4,986,817	A	1/1991	Code	
5,013,301	A	5/1991	Marotta, Jr. et al.	
5,078,695	A	1/1992	Farrar, Jr. et al.	
5,242,426	A	9/1993	Pituch	
5,279,577	A	1/1994	Collett	
5,348,543	A	9/1994	Talley	
D367,939	S *	3/1996	Dolan	D26/149
D370,068	S *	5/1996	Lui	D26/9
D373,032	S *	8/1996	Williamson-Markman	D6/437
5,624,412	A	4/1997	Weekley	
5,791,471	A	8/1998	Radmand	
D424,692	S *	5/2000	Monaghan et al.	D24/128
D507,602	S *	7/2005	Siegel	D19/85

D552,881	S *	10/2007	Rittmann	D6/469
D601,379	S *	10/2009	De Leo	D7/354
D634,141	S *	3/2011	Volk	D6/534
2003/0024891	A1 *	2/2003	Diamond	211/85.13
2007/0191769	A1	8/2007	Meittunen	
2008/0255520	A1 *	10/2008	Henderson	604/191

OTHER PUBLICATIONS

“A Patentability Search Report on “Hands-Free Syringe Holder””, *E-Merge Tech* Jun. 3, 2008, all.

“Bio Basics Fact Sheet: Safe Sharps Handling”, www.dehs.umn.edu/PDFs/sharpsSafetyUpdate.pdf University of Minnesota Environmental Health and Safety Improving the Quality of our Work and Study Environment, all.

“NeedleSafe II Needle Uncapper—Recapper & Syringe Holder”, *MEdi-Dose, Inc. EPS, Inc.* Mar. 14, 2008, 1.

Oyston, J, “A new syringe holder”, *Canadian Journal of Anaesthesia* vol. 37 No. 7 Oct. 1990, 827-828.

* cited by examiner

Primary Examiner — T. Chase Nelson

Assistant Examiner — Eric Goodman

(74) *Attorney, Agent, or Firm* — Strategic Patents, P.C.

(57) **CLAIM**

An ornamental design for a syringe holder, as shown and described.

DESCRIPTION

FIG. 1 is a perspective view of a design for a syringe holder.

FIG. 2 is a bottom view of the design.

FIG. 3 is a top view of the design.

FIG. 4 is a left side view of the design.

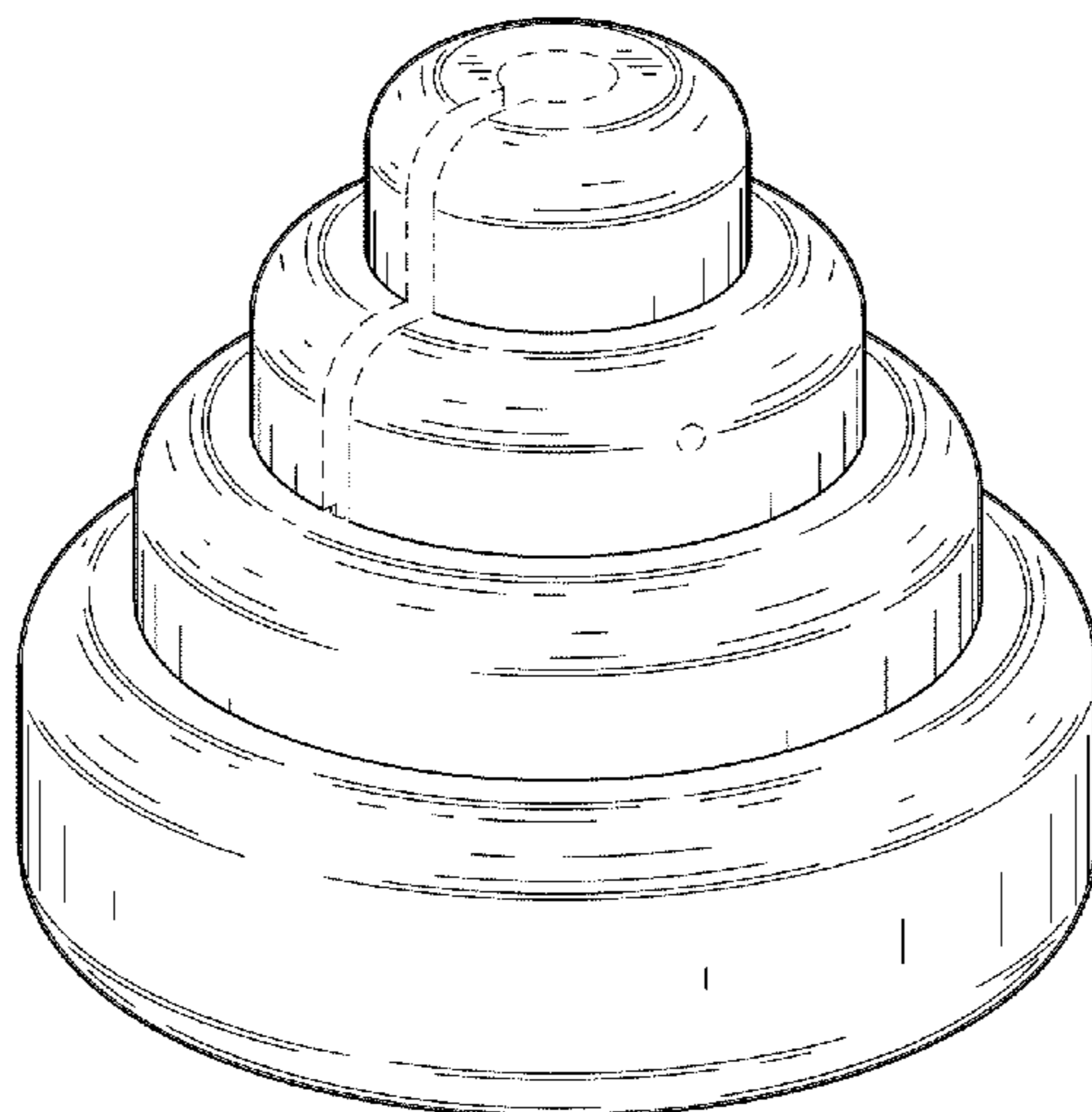
FIG. 5 is a right side view of the design.

FIG. 6 is a front view of the design; and,

FIG. 7 is a back view of the design.

The broken lines showing portions of the syringe holder are for illustrative purposes only and form no part of the claimed design.

1 Claim, 4 Drawing Sheets



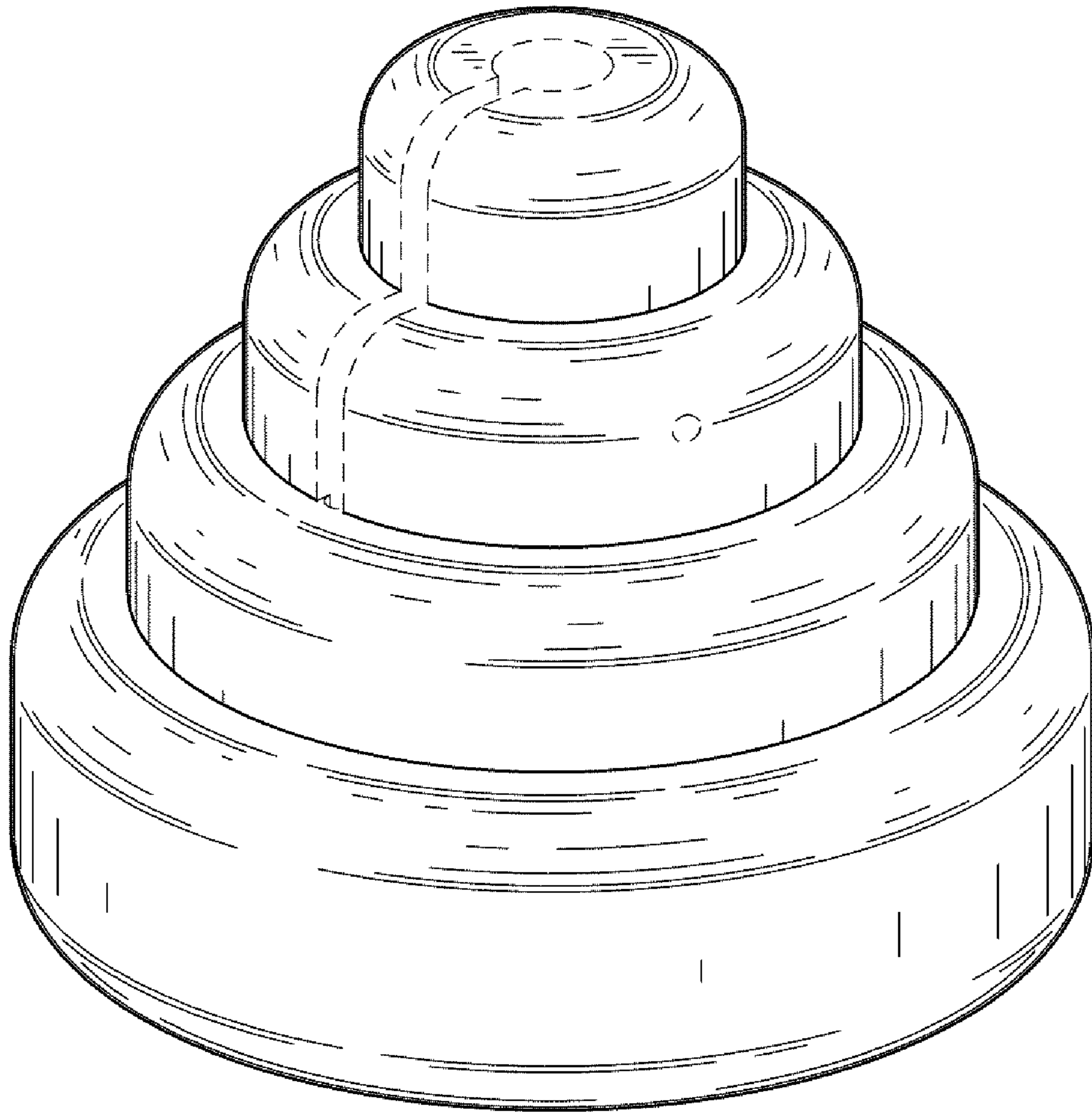


FIG. 1

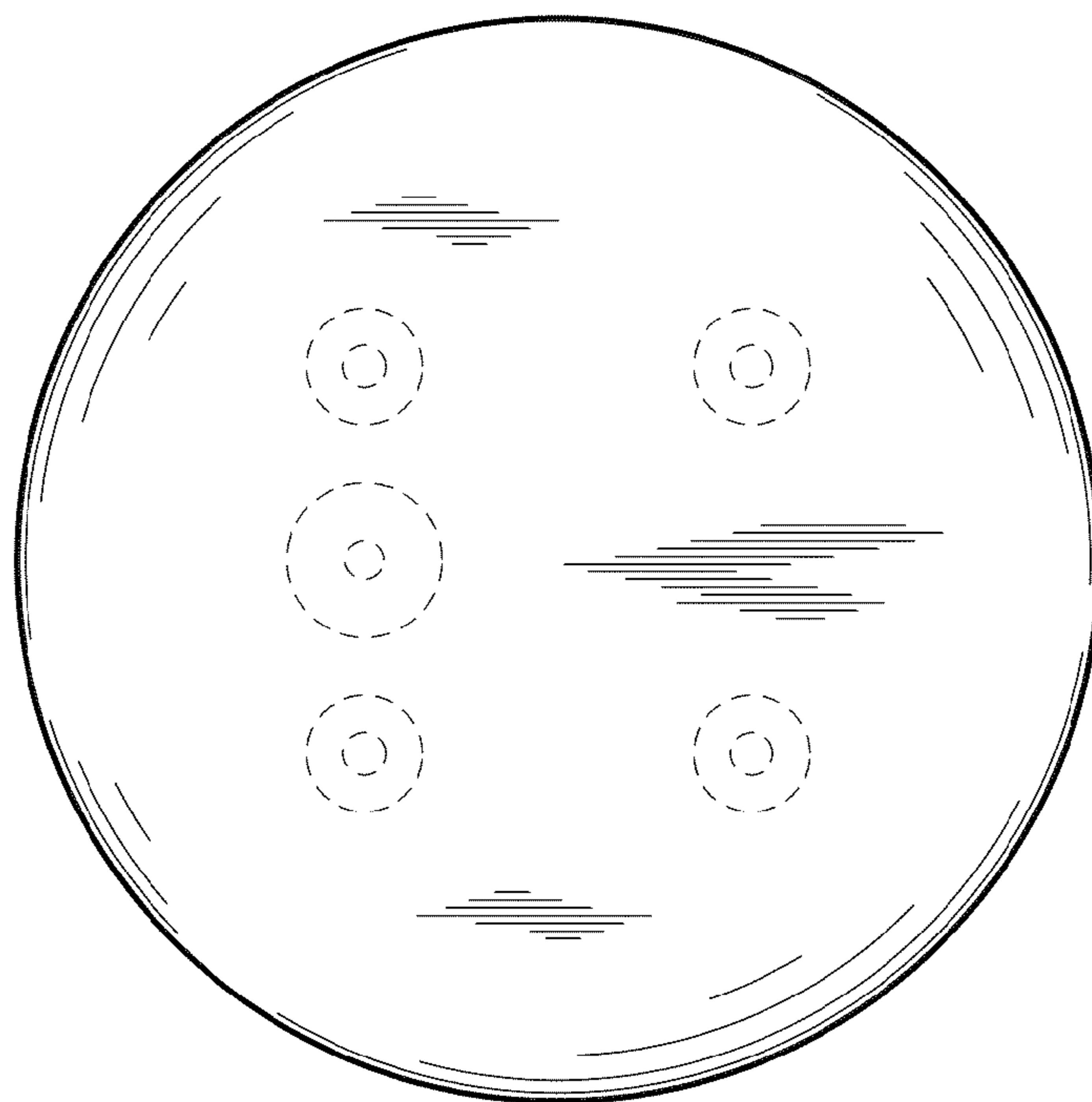


FIG. 2

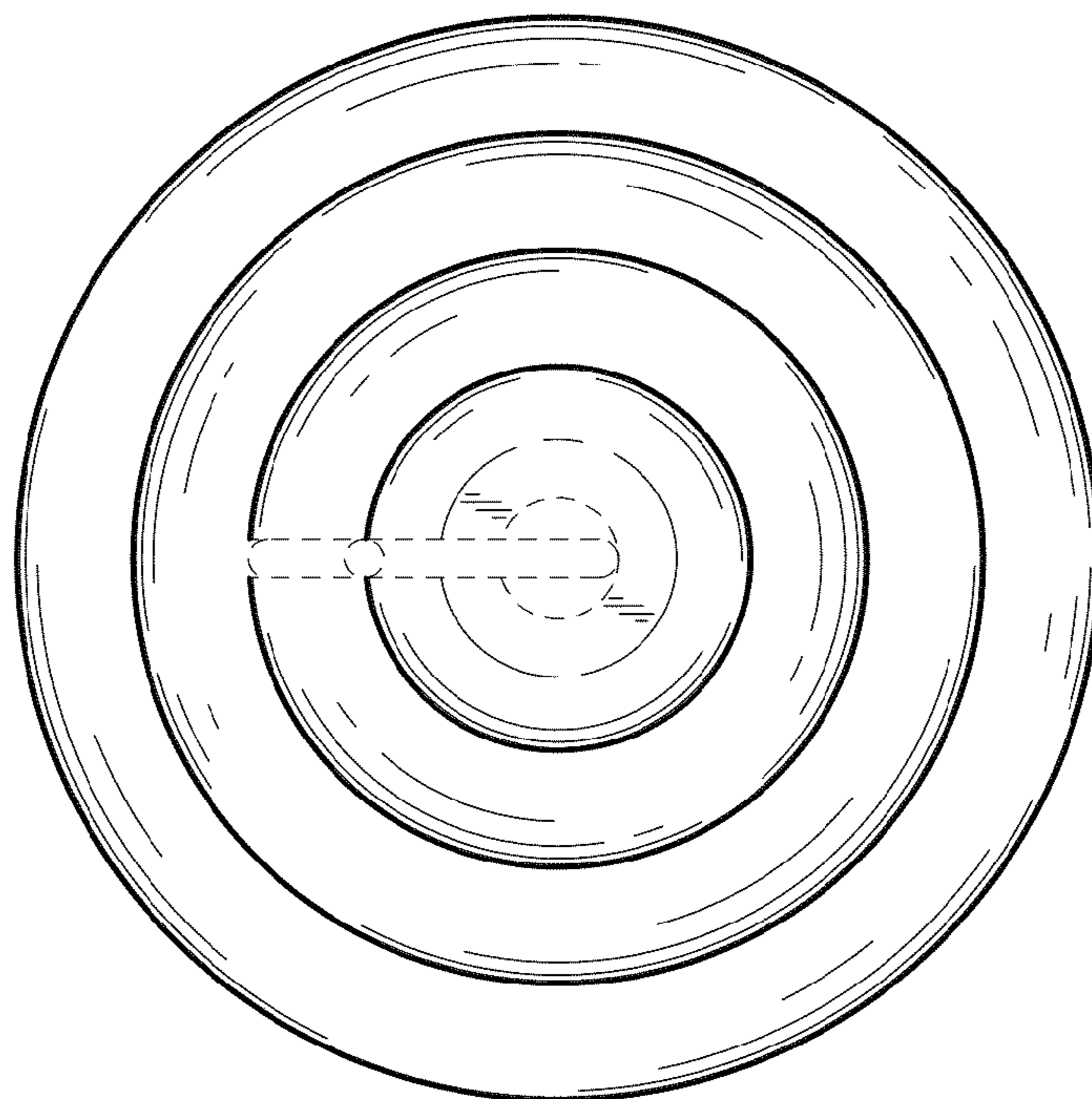


FIG. 3

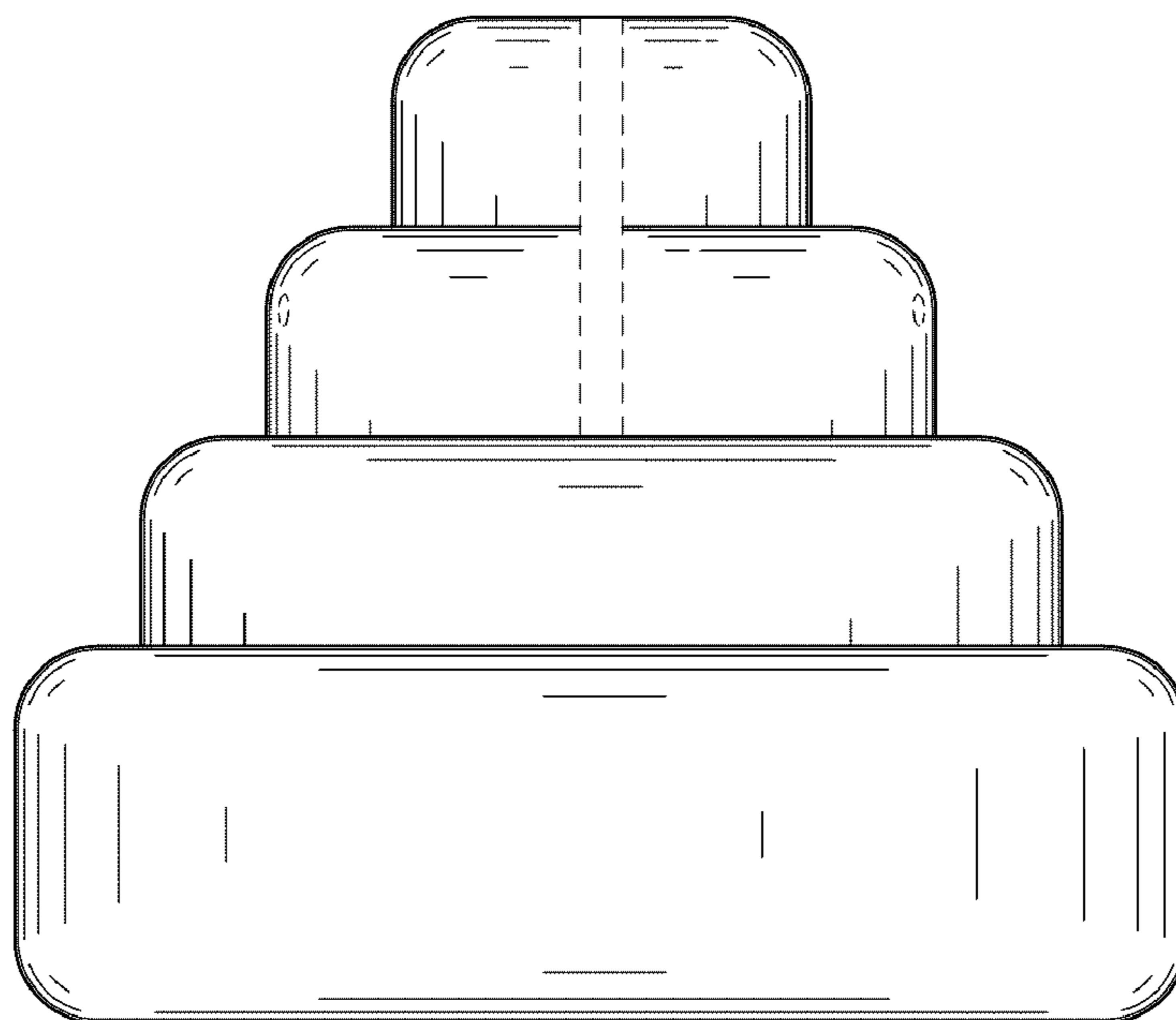


FIG. 4

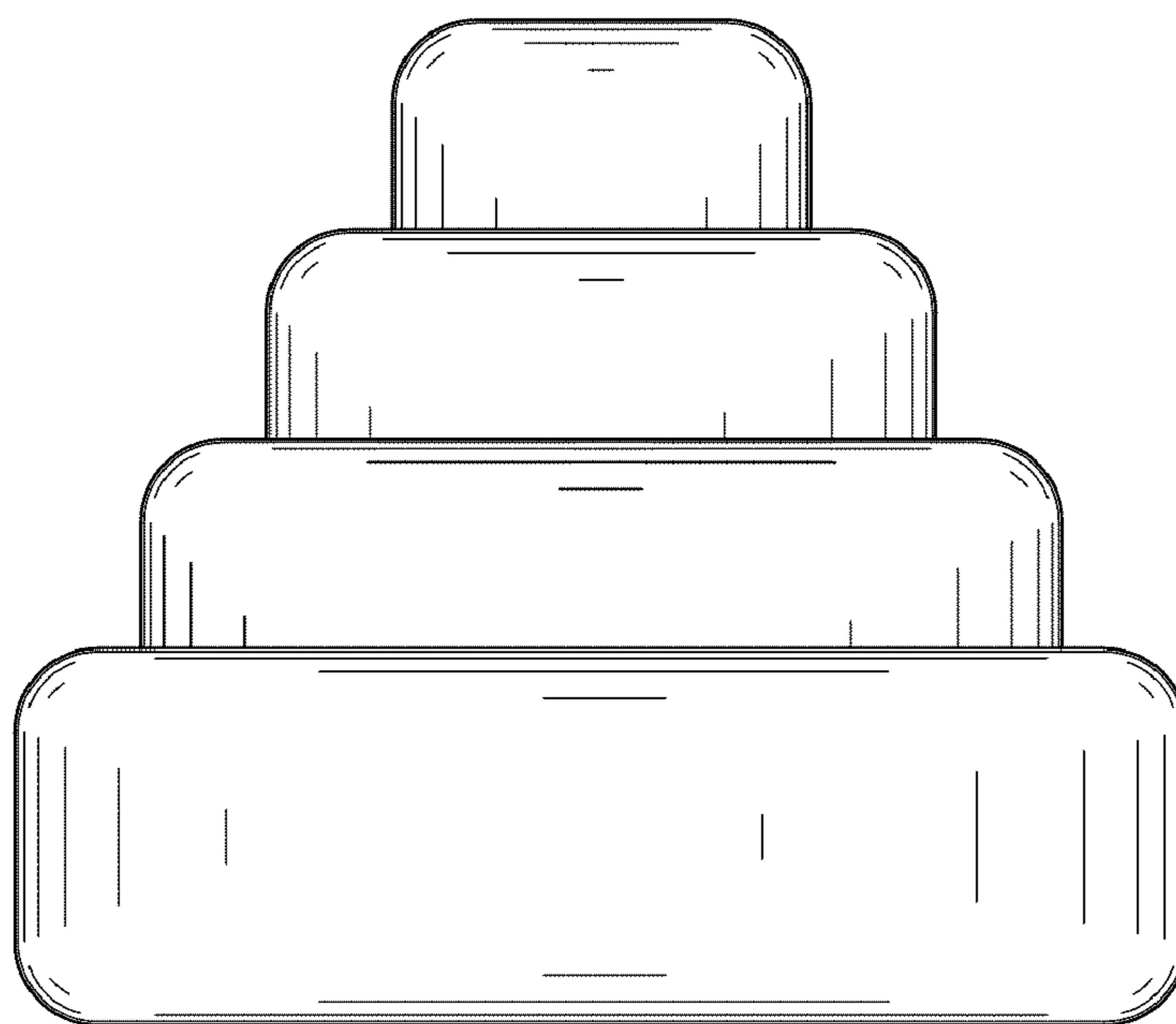


FIG. 5

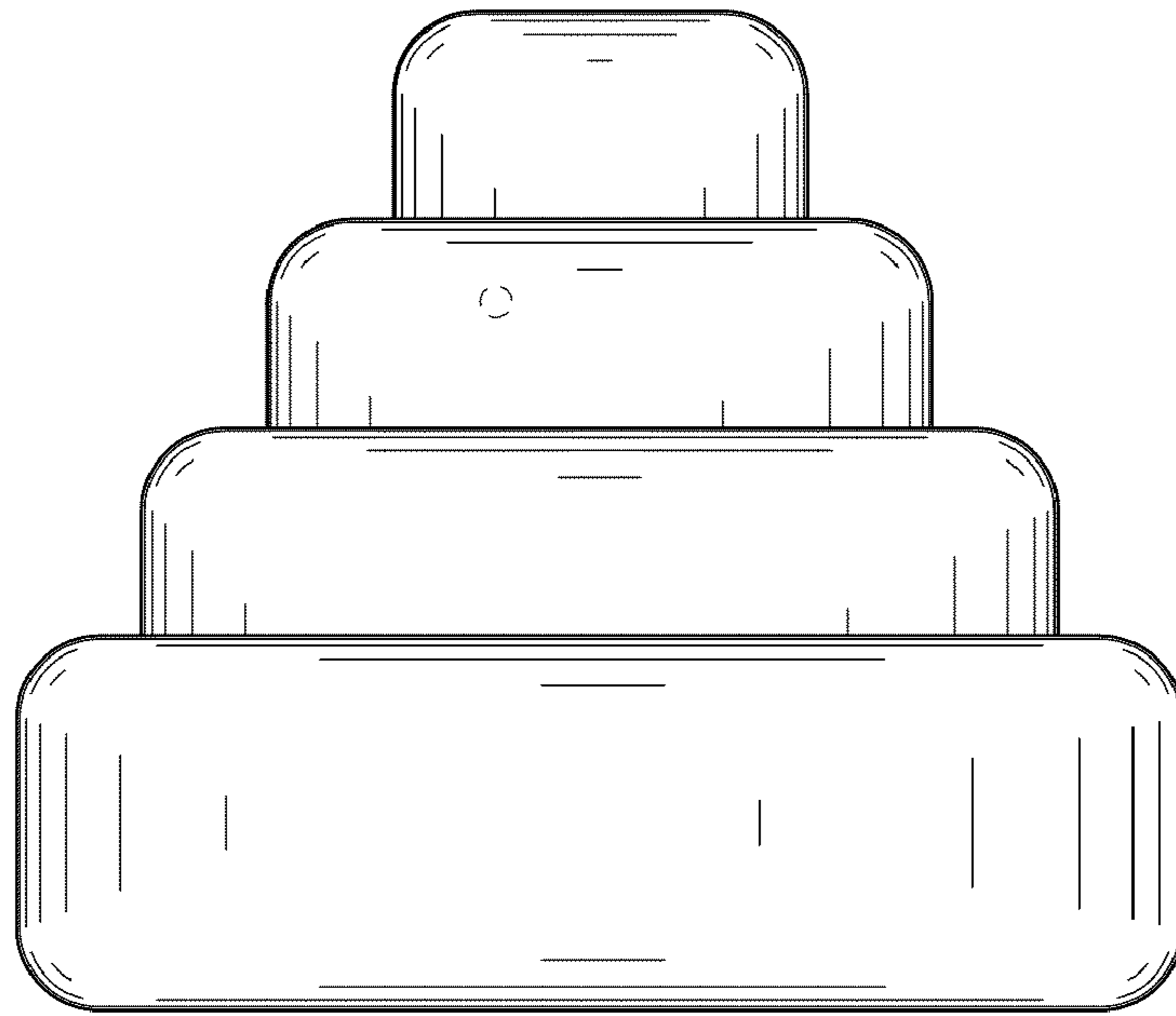


FIG. 6

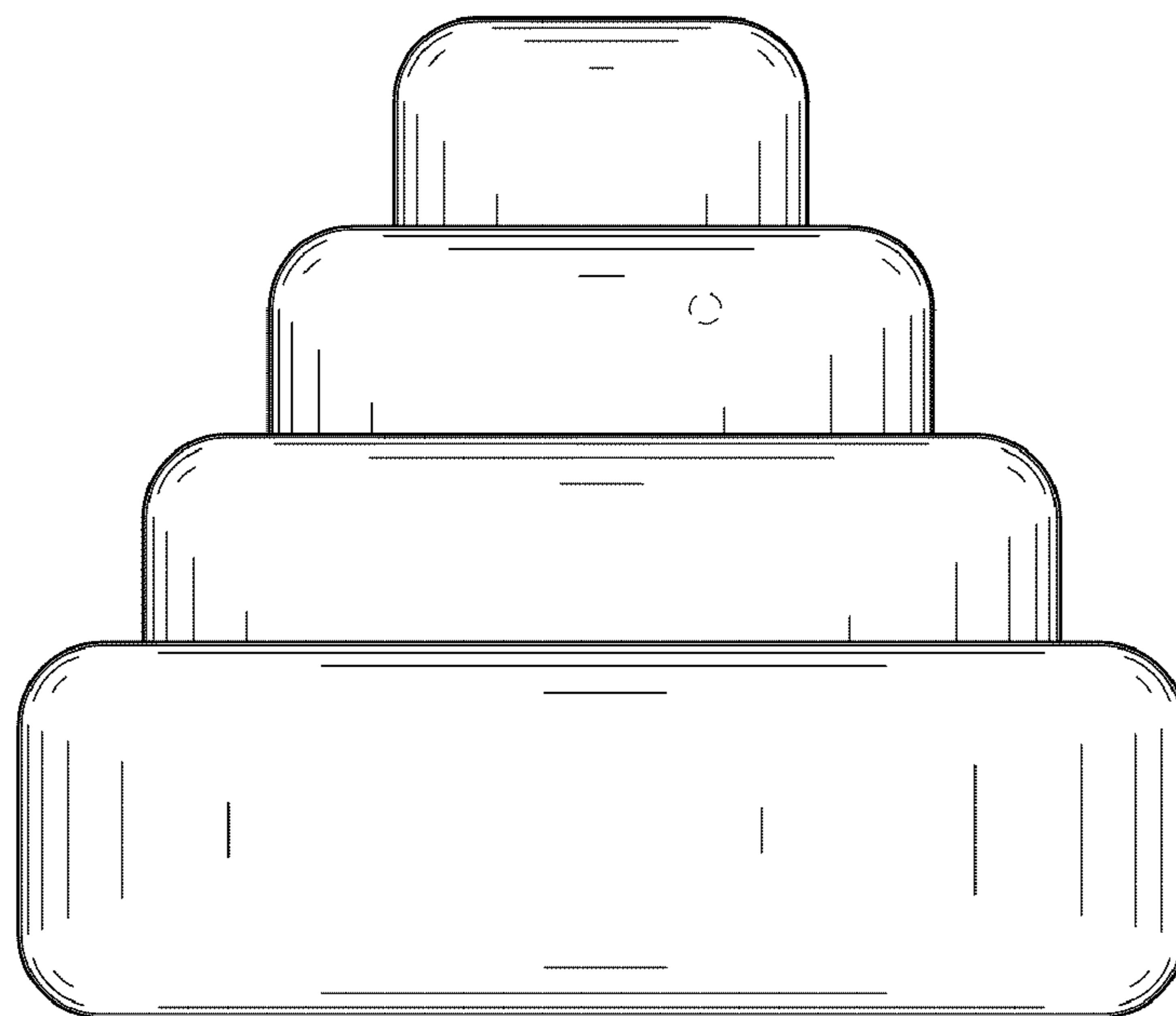


FIG. 7