



US00D654997S

(12) **United States Design Patent**
Spaggiari

(10) **Patent No.:** **US D654,997 S**

(45) **Date of Patent:** **** Feb. 28, 2012**

(54) **FAN**

(75) **Inventor:** **Alessandro Spaggiari, Correggio (IT)**

(73) **Assignee:** **Spal Automotive S.R.L., Correggio (IT)**

(**) **Term:** **14 Years**

(21) **Appl. No.:** **29/338,761**

(22) **Filed:** **Jun. 18, 2009**

(30) **Foreign Application Priority Data**

Dec. 22, 2008 (EM) 001061345-001/002

(51) **LOC (9) Cl.** **23-04**

(52) **U.S. Cl.** **D23/370**

(58) **Field of Classification Search** D12/214;
D23/370, 378, 382; 416/93 A, 143, 153,
416/169 A, 189, 212 R, 213 R, 229 R, 234,
416/236 R, 241 A, 244 B, 246
See application file for complete search history.

(56) **References Cited**

U.S. PATENT DOCUMENTS

D137,473 S * 3/1944 Birsh D12/214
D303,425 S * 9/1989 Sonneman D23/385
D310,812 S * 9/1990 Bergeron D12/214

D316,700 S * 5/1991 Morrison D12/214
5,984,640 A * 11/1999 Wang 416/244 R
6,039,541 A * 3/2000 Parker et al. 416/223 R
6,244,821 B1 * 6/2001 Boyd et al. 416/210 R
6,517,315 B2 * 2/2003 Belady 415/221
D476,072 S * 6/2003 Wagner D23/370
D561,325 S * 2/2008 Shirahama et al. D23/370
D576,540 S * 9/2008 Tymark et al. D12/214
D607,988 S * 1/2010 Oleson et al. D23/377
D641,075 S * 7/2011 Fizer et al. D23/411

* cited by examiner

Primary Examiner — Susan E Krakower

(74) *Attorney, Agent, or Firm* — Pearne & Gordon LLP

(57) **CLAIM**

The ornamental design for fan, as shown and described.

DESCRIPTION

FIG. 1 is a perspective view showing the fan,
FIG. 2 is a top plan view,
FIG. 3 a front view,
FIG. 4 a rear view,
FIG. 5 a right side view,
FIG. 6 a left side view; and,
FIG. 7 is a bottom plan view.
The broken lines illustrate portions of the fan which form no part of the claimed design.

1 Claim, 3 Drawing Sheets

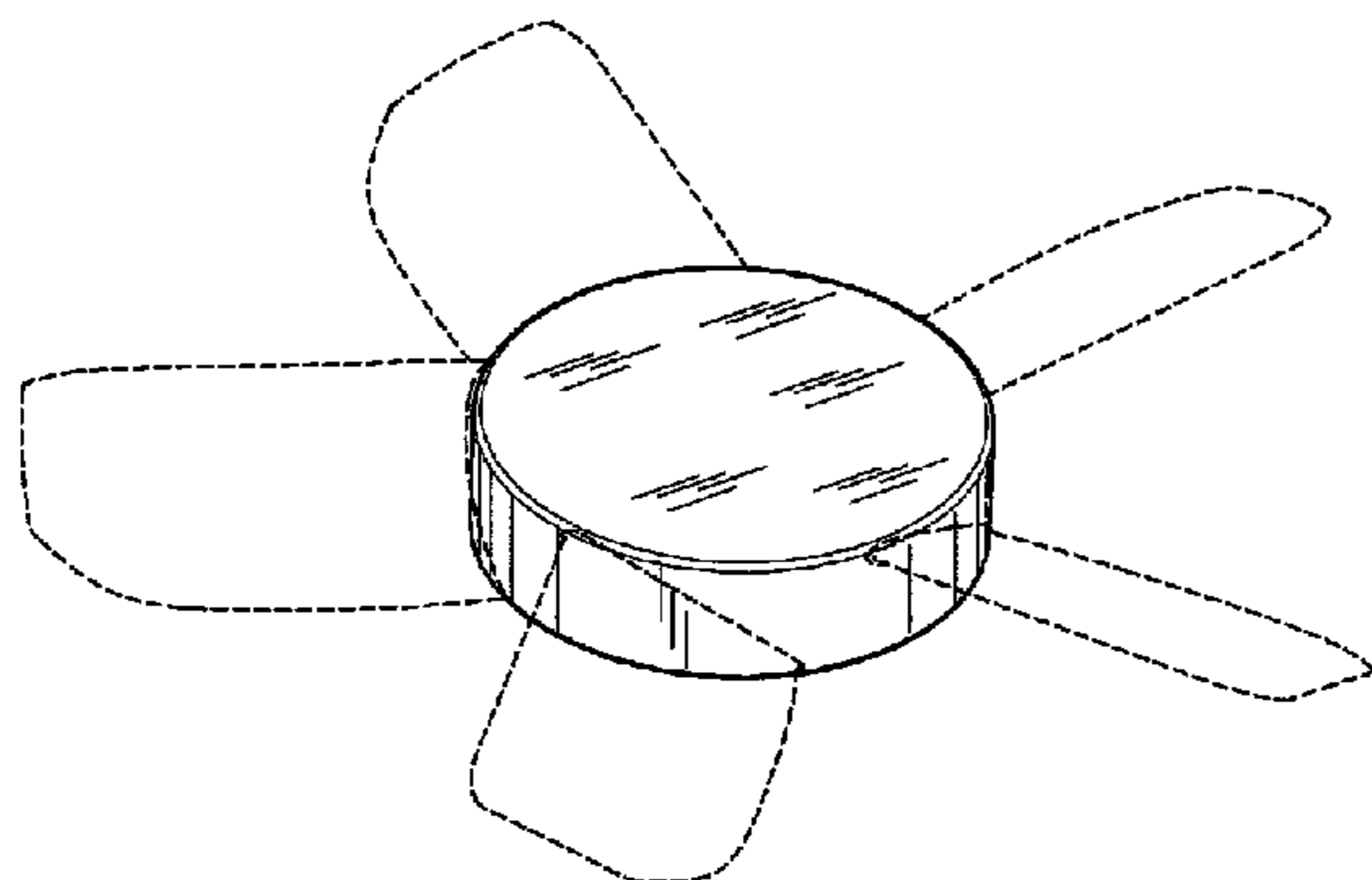


FIG. 1

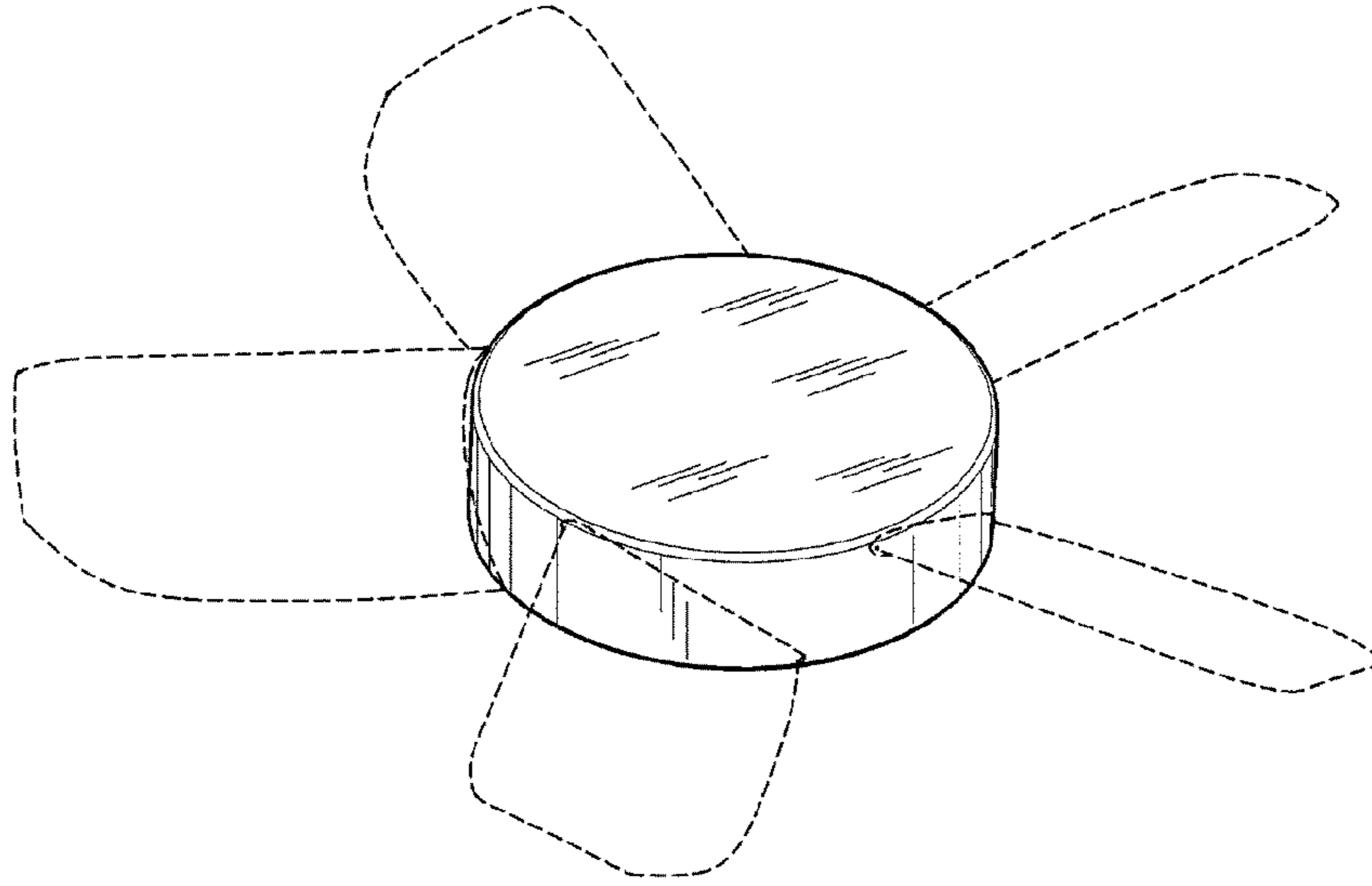


FIG. 2

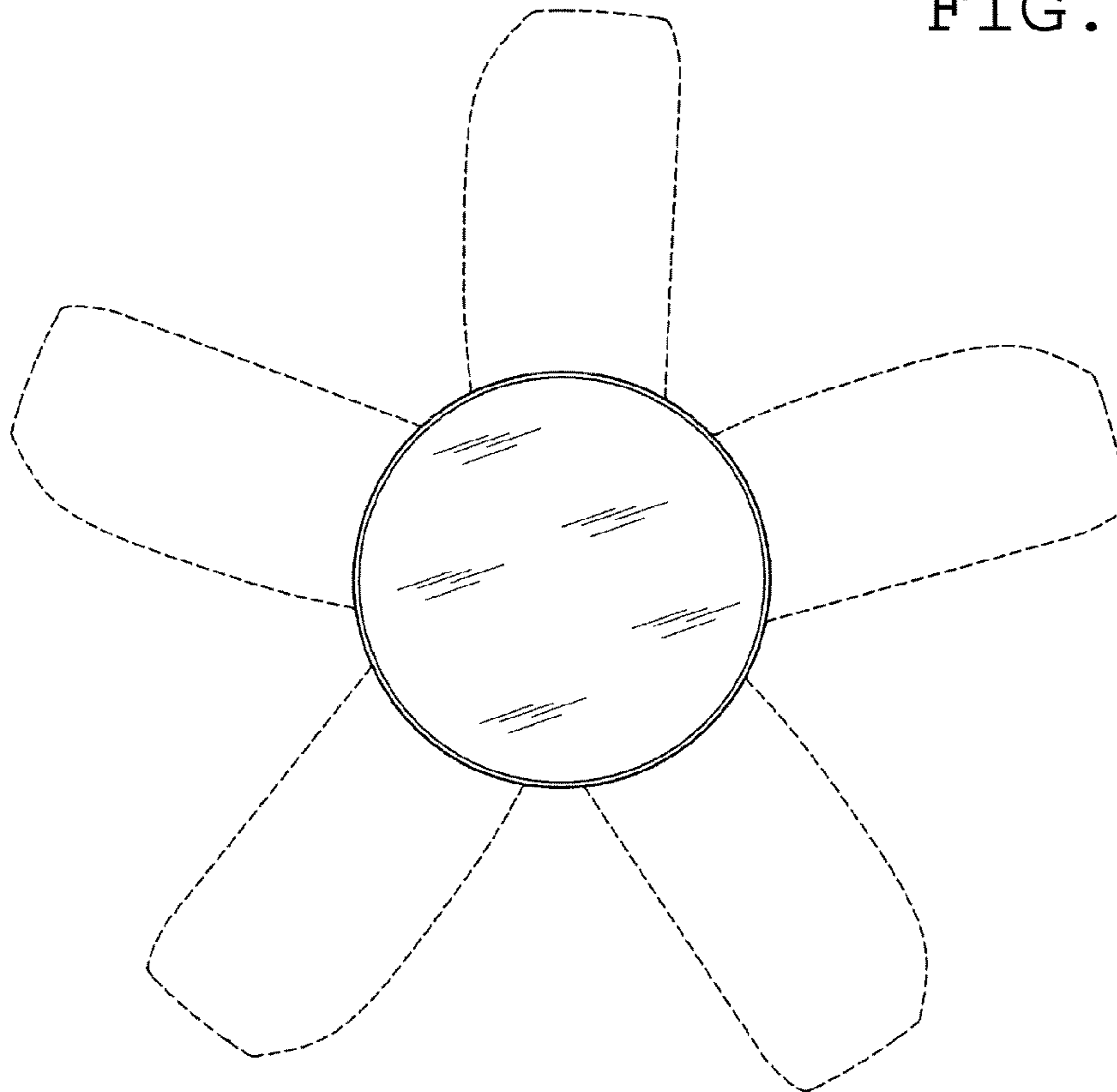


FIG. 3

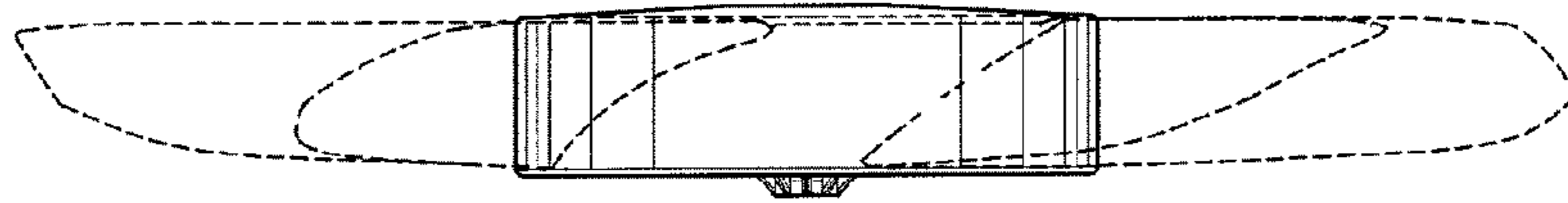


FIG. 4

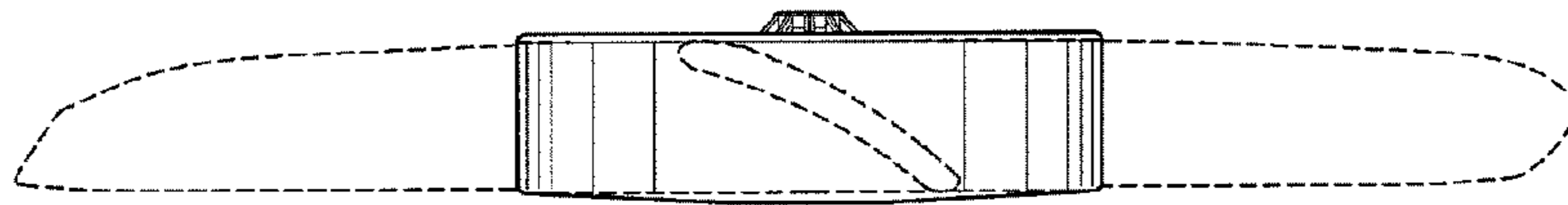


FIG. 5

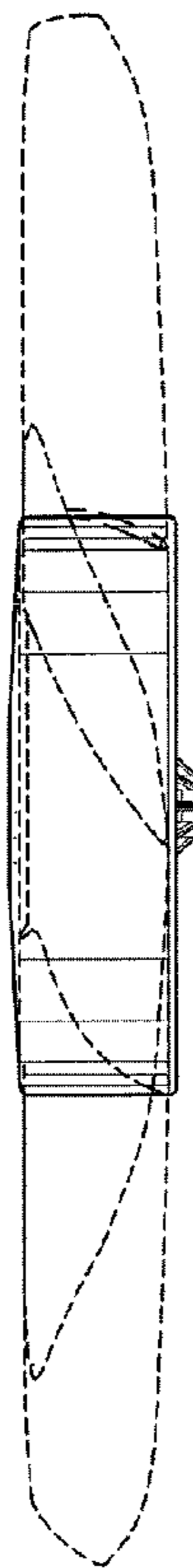


FIG. 6

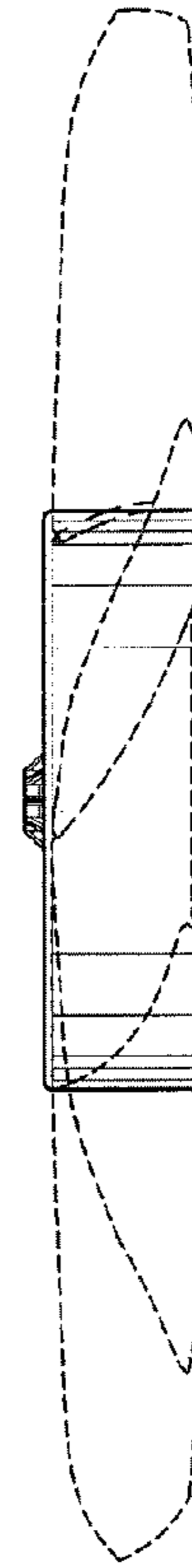


FIG. 7

