



US00D654995S

(12) **United States Design Patent**
Asofsky et al.

(10) **Patent No.:** **US D654,995 S**

(45) **Date of Patent:** **** Feb. 28, 2012**

(54) **ELECTRIC FIREPLACE**
(75) Inventors: **Mark Asofsky**, Delray Beach, FL (US);
Tyler Nemes, Delray Beach, FL (US)

(73) Assignee: **Twin-Star International, Inc.**, Delray Beach, FL (US)

(**) Term: **14 Years**

(21) Appl. No.: **29/392,355**

(22) Filed: **May 19, 2011**

(51) **LOC (9) Cl.** **23-03**

(52) **U.S. Cl.** **D23/332; D23/344**

(58) **Field of Classification Search** D23/323,
D23/328, 332, 336, 339, 342, 386, 338, 314,
D23/317, 344, 343; 126/25 R, 67, 92 A,
126/92 B, 9 A, 500, 520, 544, 547; 362/92,
362/217, 253, 231; 431/331, 344

See application file for complete search history.

(56) **References Cited**

U.S. PATENT DOCUMENTS

D375,155 S	*	10/1996	Radke	D23/344
D383,836 S	*	9/1997	Gerth	D23/403
D411,293 S	*	6/1999	Lipperini	D23/342
D561,317 S	*	2/2008	Ou et al.	D23/344
D606,639 S	*	12/2009	Chung	D23/342

D614,752 S	*	4/2010	Gallo	D23/314
D631,533 S	*	1/2011	Gallo	D23/343
D638,922 S	*	5/2011	Zhou	D23/344

* cited by examiner

Primary Examiner — T. Chase Nelson

Assistant Examiner — Ania Aman

(74) *Attorney, Agent, or Firm* — James David Johnson, PA;
James David Johnson

(57) **CLAIM**

The ornamental designs for an electric fireplace, as shown and described.

DESCRIPTION

FIG. 1 is a perspective view of an ornamental design for an electric fireplace.

FIG. 2 is a front plan view of the electric fireplace of FIG. 1.

FIG. 3 is a right side view of the electric fireplace of FIG. 1.

FIG. 4 is a left side view of the electric fireplace of FIG. 1.

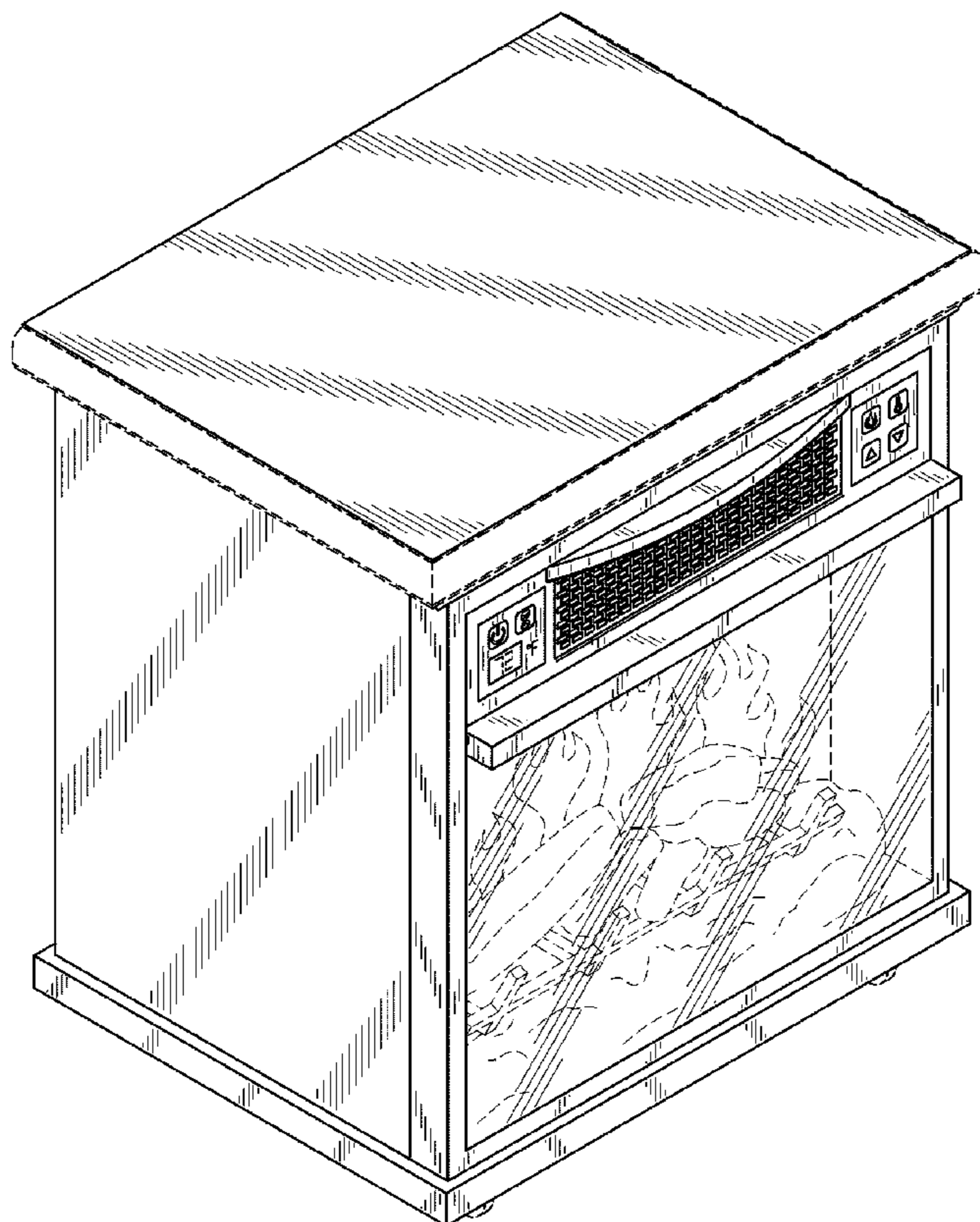
FIG. 5 is a top plan view of the electric fireplace of FIG. 1.

FIG. 6 is a bottom plan view of the electric fireplace of FIG. 1; and,

FIG. 7 is a rear plan view of the electric fireplace of FIG. 1.

The broken line illustration of log sets, and top, bottom, and rear portions is shown for the purpose of illustrating environmental structure of the article and forms no part of the claimed design.

1 Claim, 7 Drawing Sheets



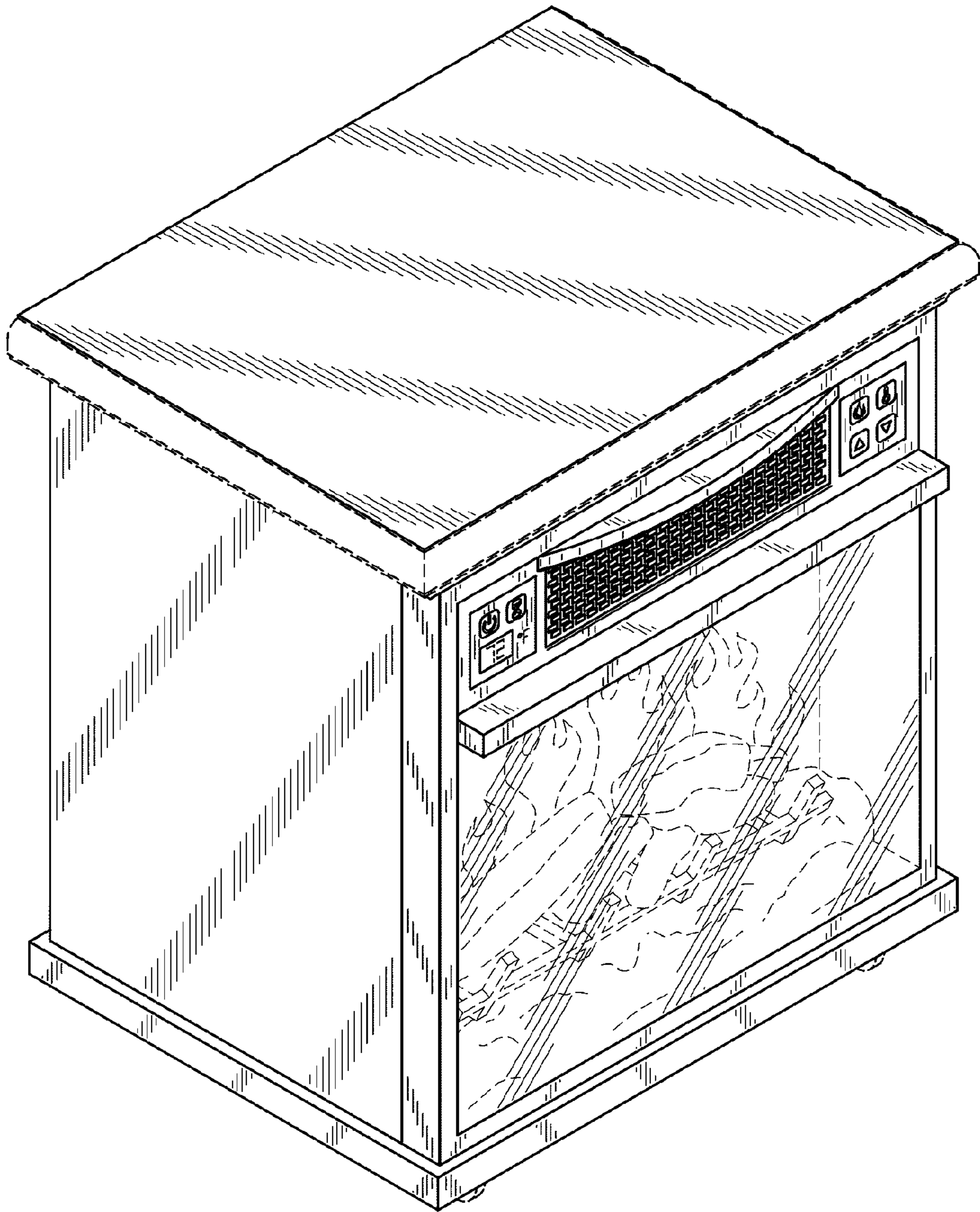


FIG. 1

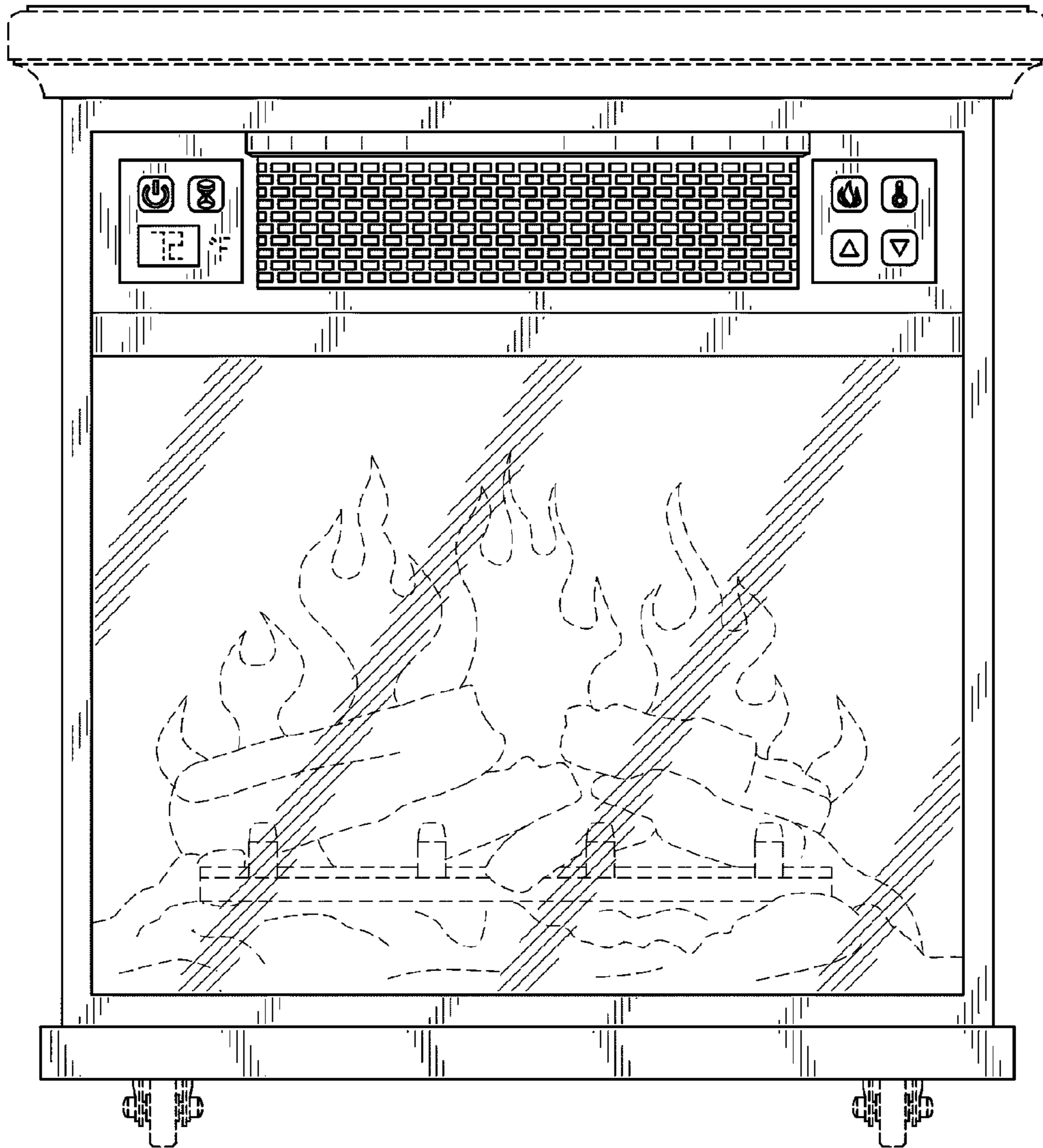


FIG. 2

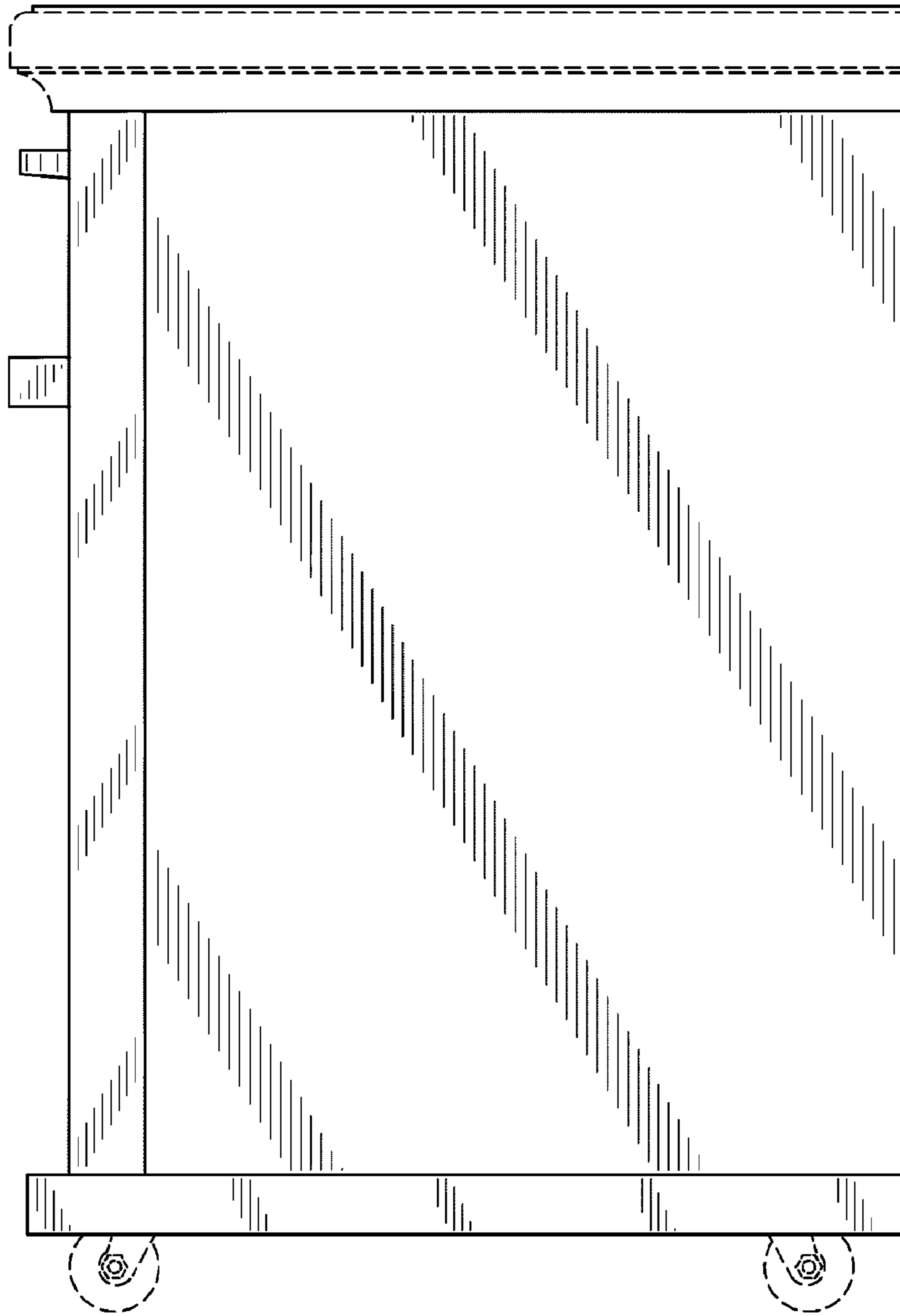


FIG. 3

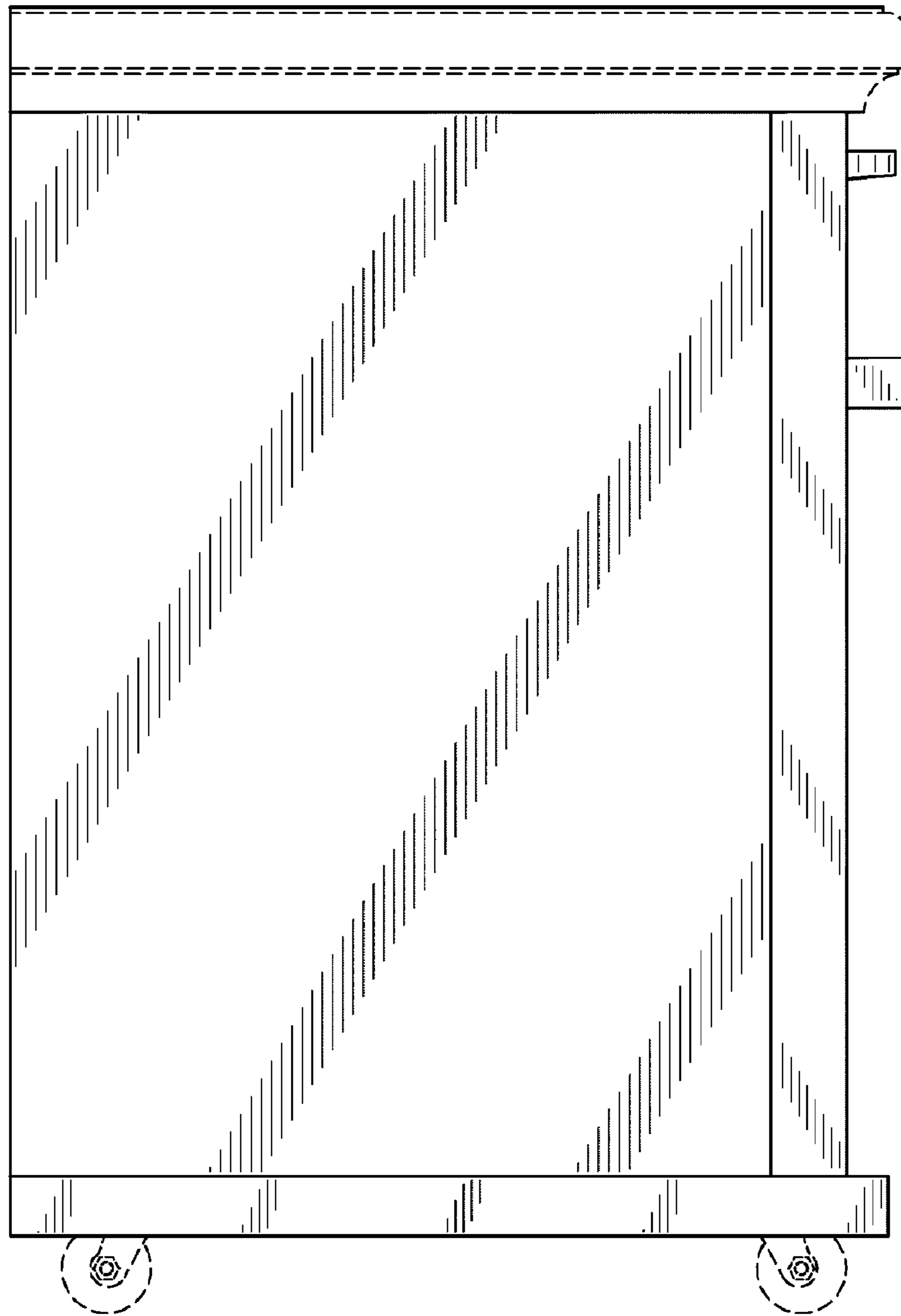


FIG. 4

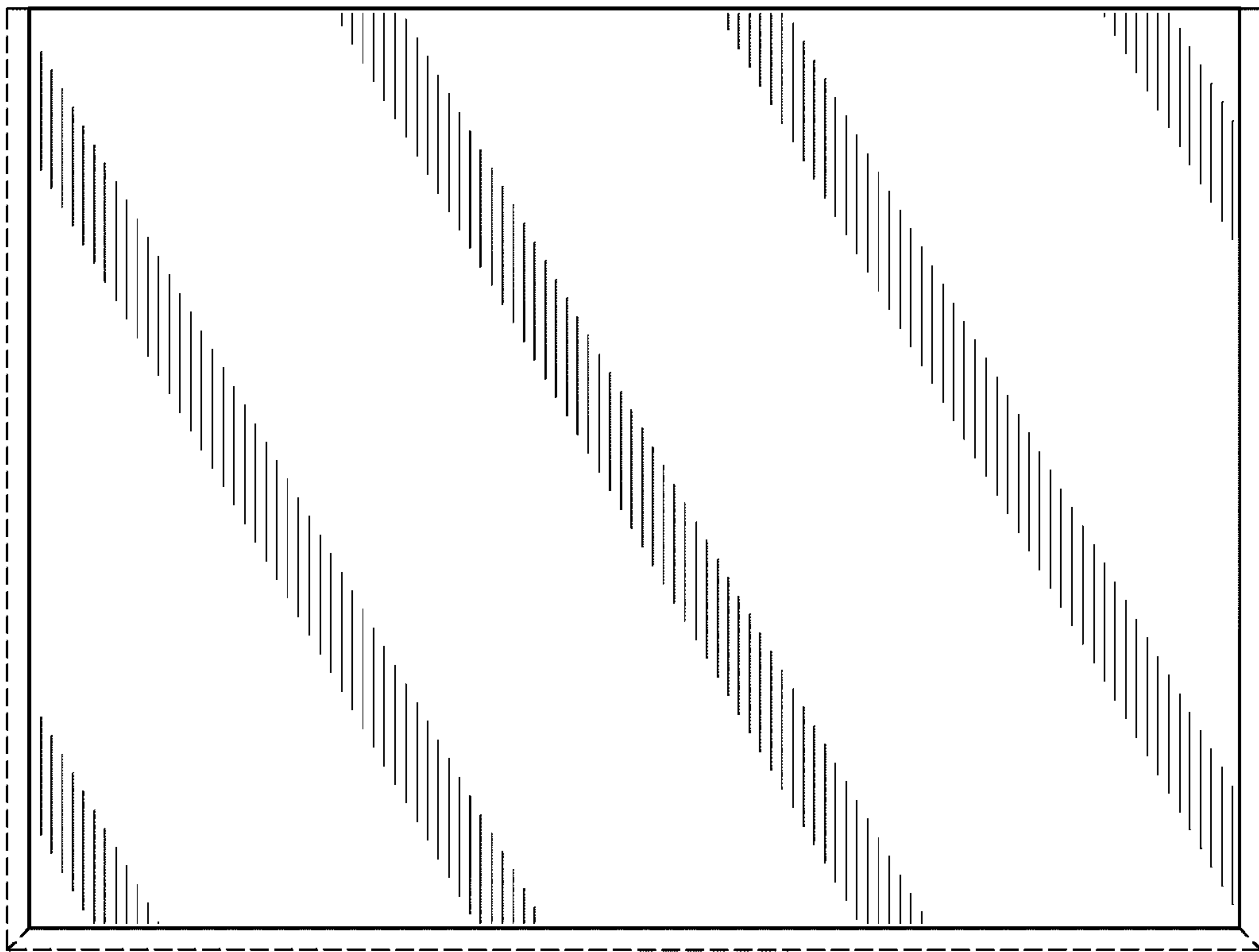


FIG. 5

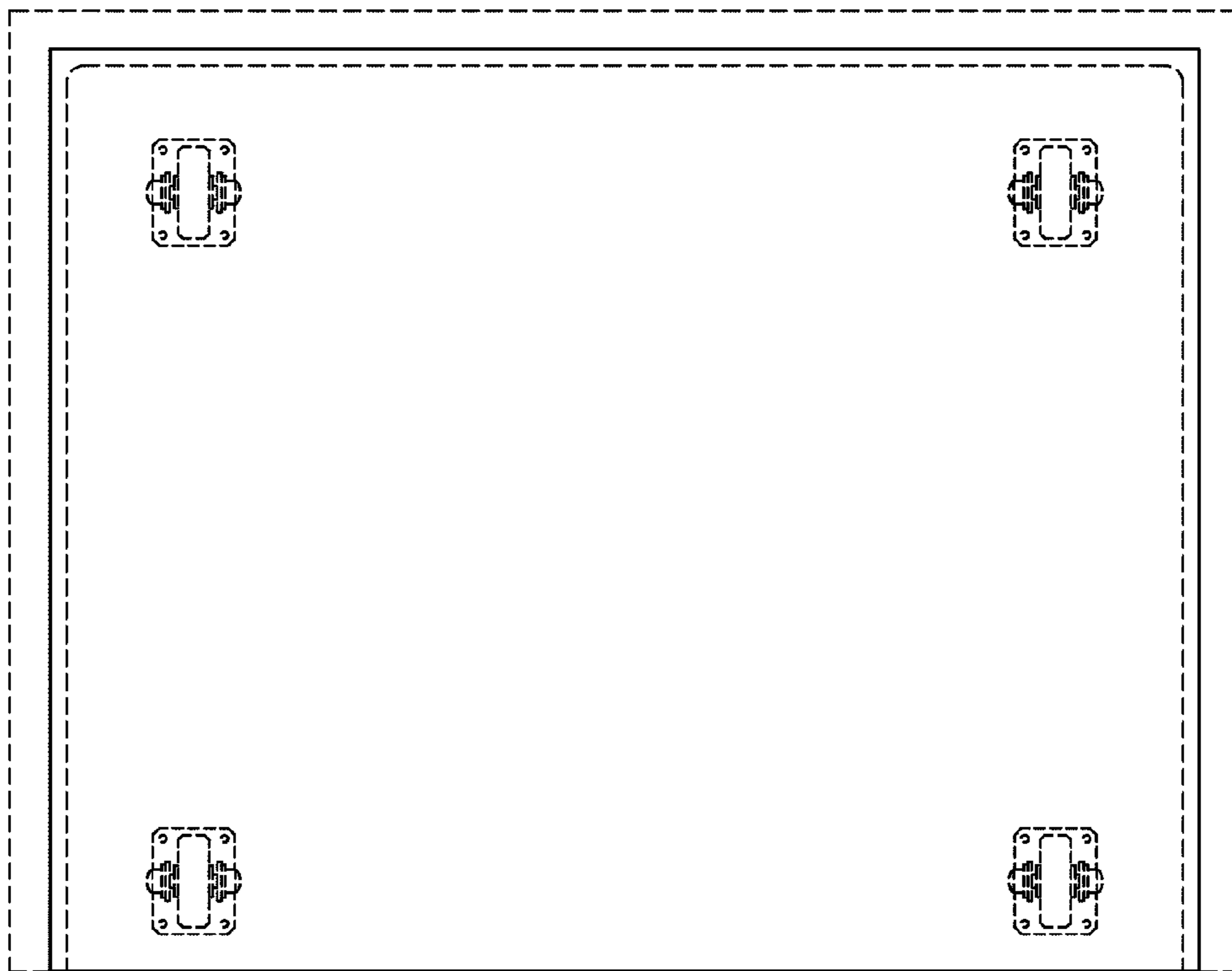


FIG. 6

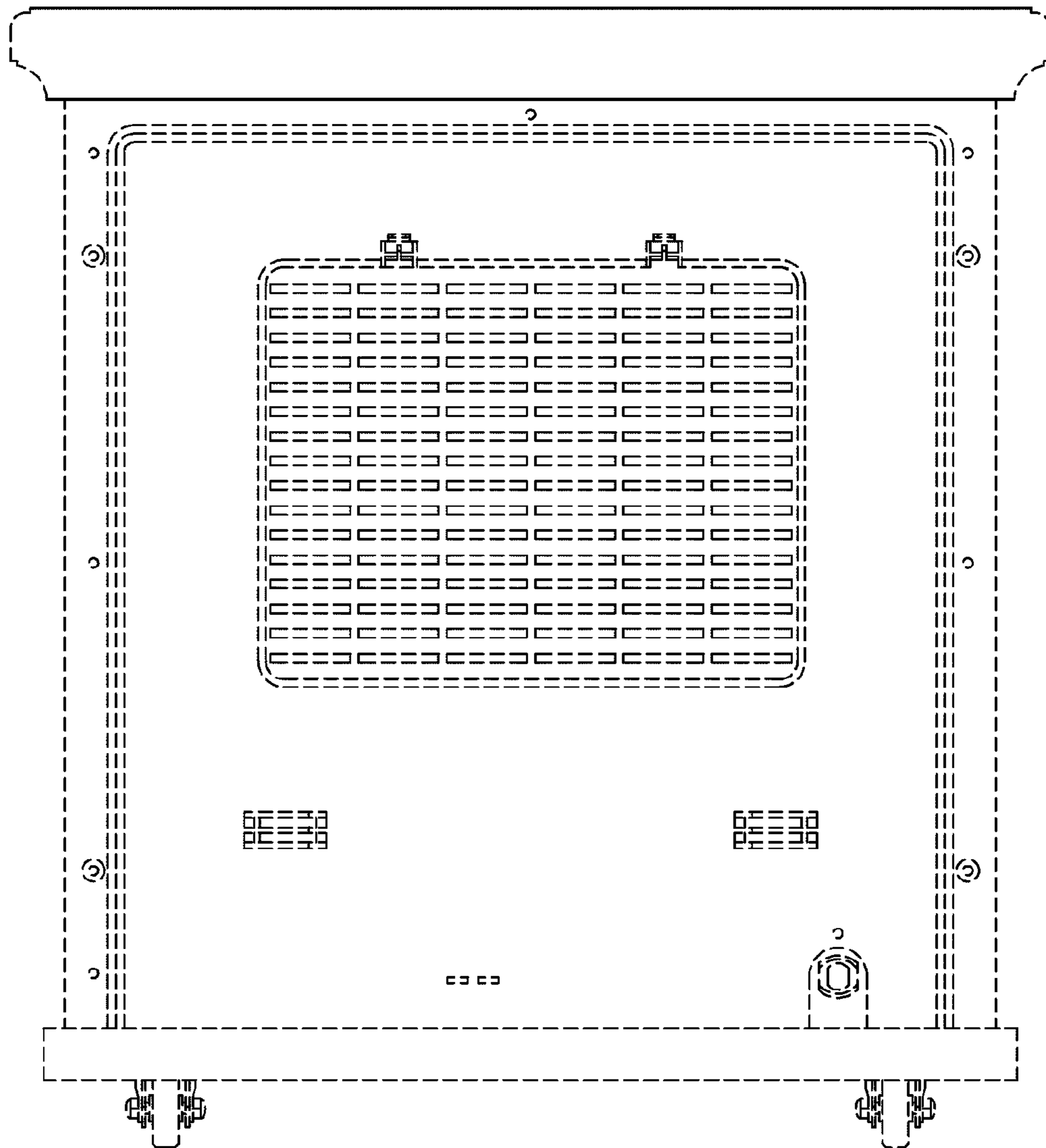


FIG. 7