



US00D654993S

(12) **United States Design Patent**
Ando et al.

(10) **Patent No.:** **US D654,993 S**

(45) **Date of Patent:** **** Feb. 28, 2012**

(54) **TOILET BOWL**

(75) Inventors: **Yoshihiko Ando**, Tokoname (JP);
Mikiya Kobayashi, Bunkyo-ku (JP)

(73) Assignee: **LIXIL Corporation**, Tokyo (JP)

(**) Term: **14 Years**

(21) Appl. No.: **29/383,128**

(22) Filed: **Jan. 12, 2011**

(30) **Foreign Application Priority Data**

Jul. 14, 2010 (JP) D2010-017154

(51) **LOC (9) Cl.** **23-02**

(52) **U.S. Cl.** **D23/301**

(58) **Field of Classification Search** D23/295,
D23/301, 303, 309, 313; 4/300, 353, 420,
4/DIG. 15

See application file for complete search history.

(56) **References Cited**

U.S. PATENT DOCUMENTS

D594,944 S * 6/2009 Starck D23/301

* cited by examiner

Primary Examiner — Robert Delehanty

(74) *Attorney, Agent, or Firm* — Hamre, Schumann,
Mueller & Larson, P.C.

(57) **CLAIM**

The ornamental design for a toilet bowl, as shown and described.

DESCRIPTION

FIG. 1 is a perspective view of front, right and top plan side of a toilet bowl showing our new design;

FIG. 2 is a front view thereof;

FIG. 3 is a rear view thereof;

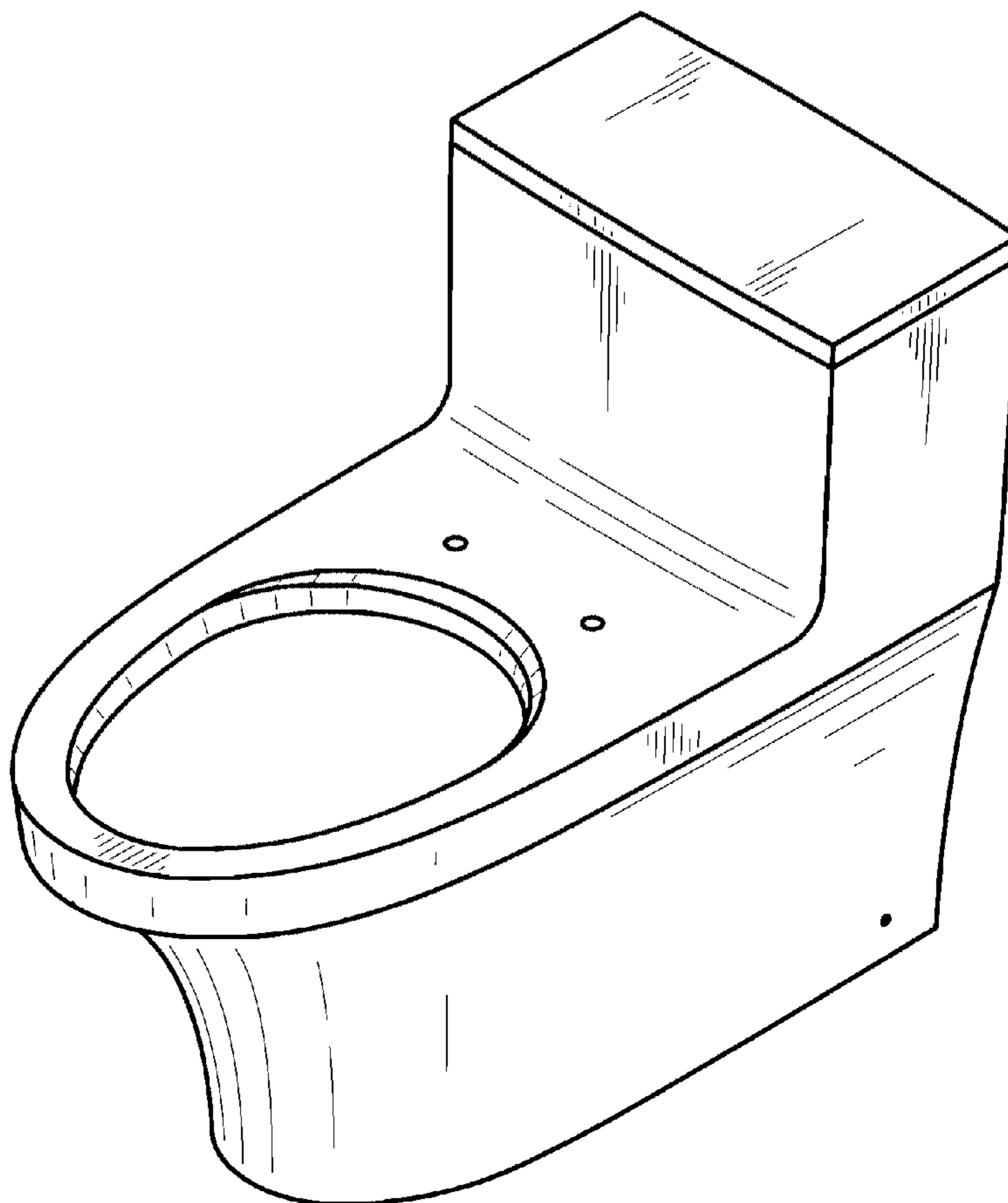
FIG. 4 is a top plan view thereof;

FIG. 5 is a bottom view thereof; and,

FIG. 6 is a right side view thereof; the left side view being mirror image thereof.

The portions of the article in broken lines are shown for illustrative purposes only and form no part of the claimed design.

1 Claim, 4 Drawing Sheets



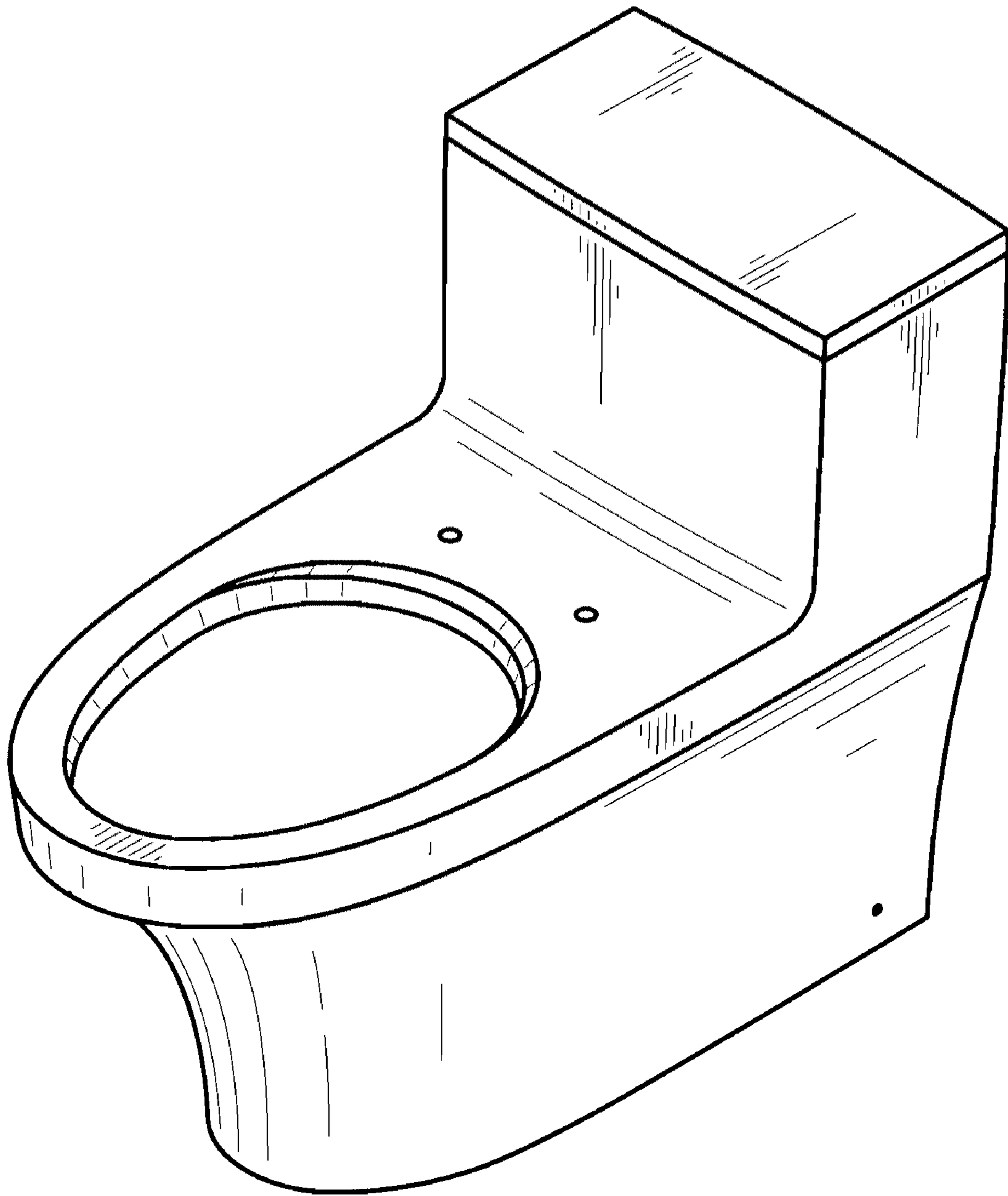


FIG. 1

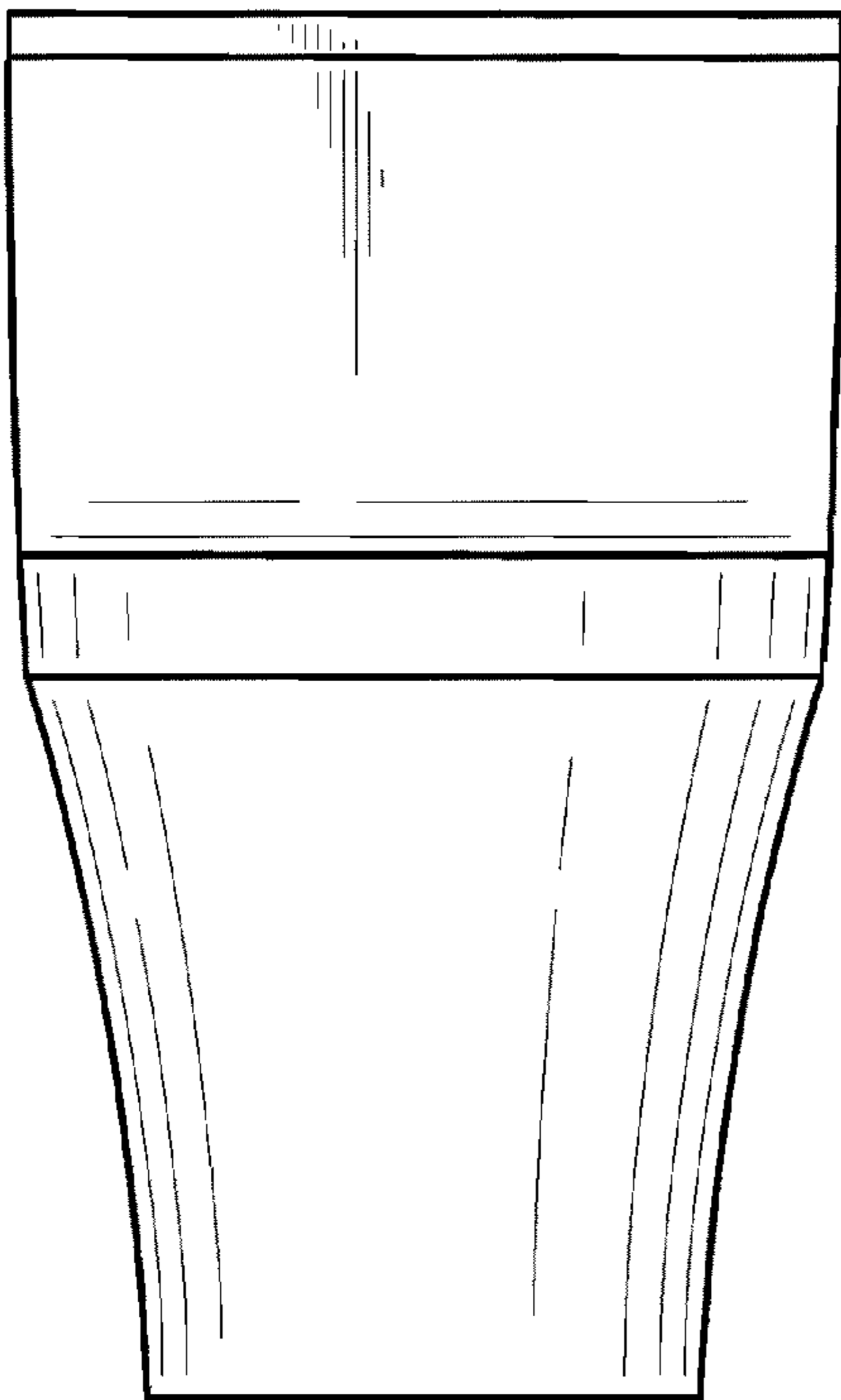


FIG. 2

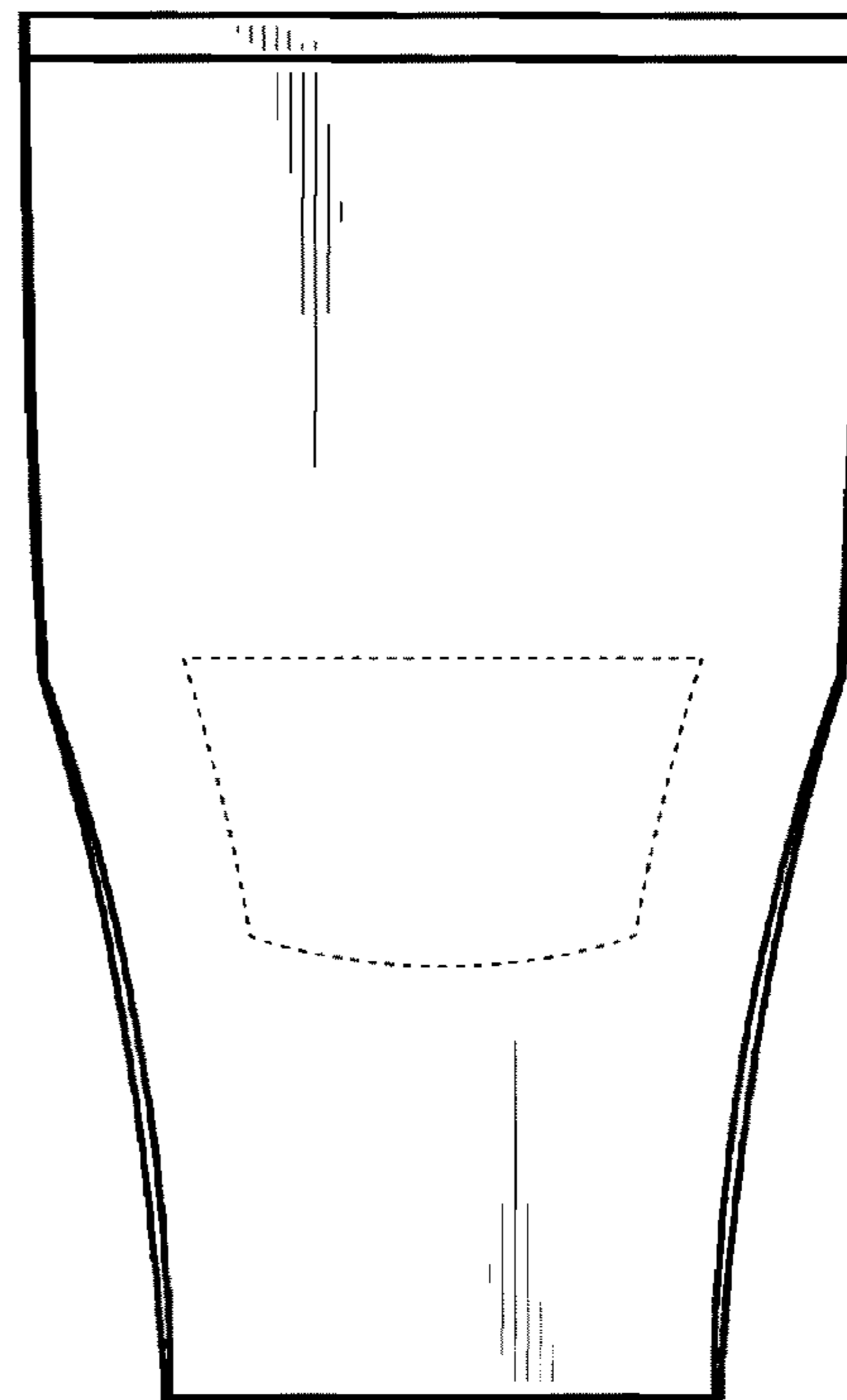


FIG. 3

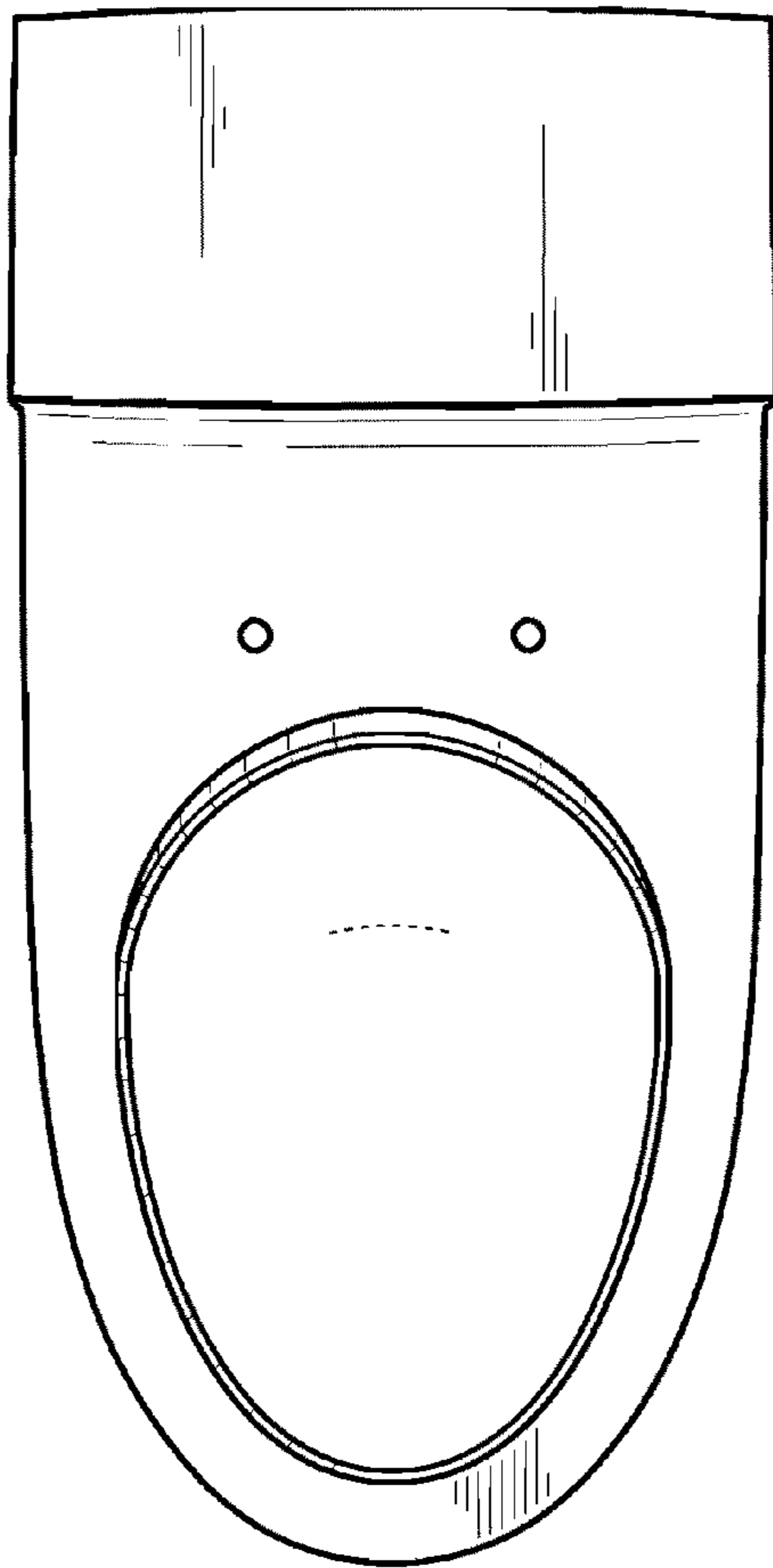


FIG. 4

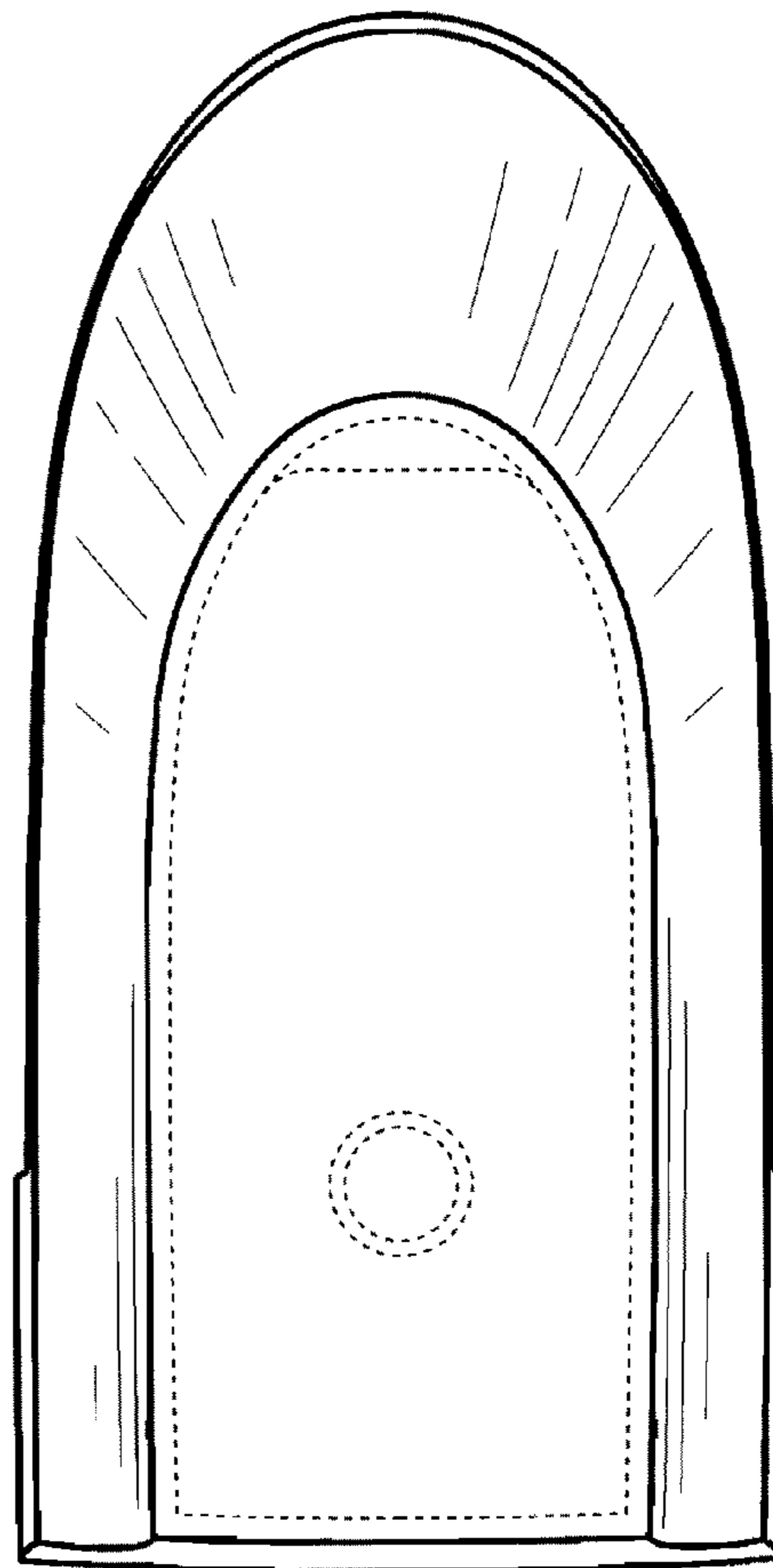


FIG. 5

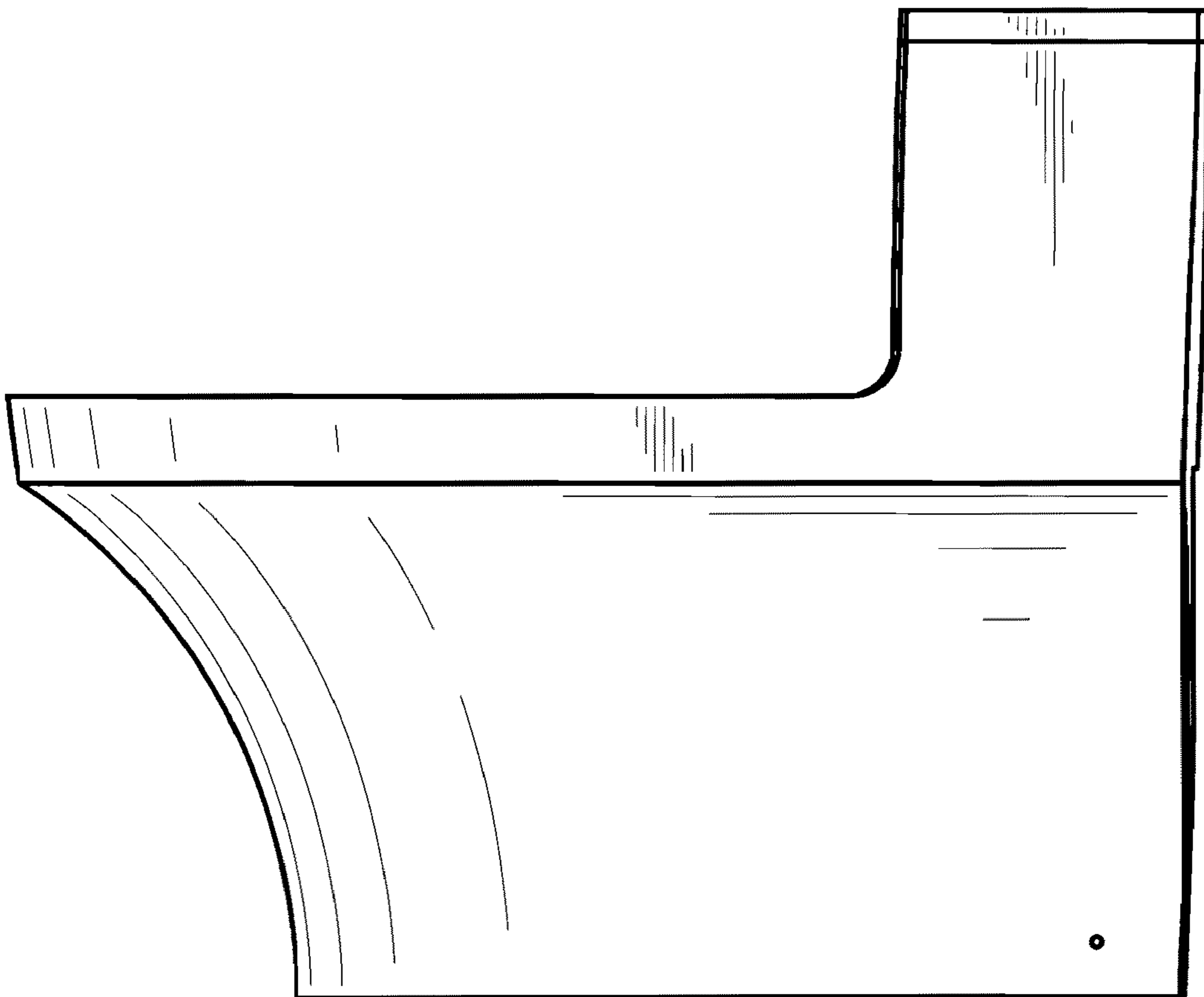


FIG. 6