



US00D654992S

(12) **United States Design Patent**
Bucher

(10) **Patent No.:** **US D654,992 S**
(45) **Date of Patent:** **** Feb. 28, 2012**

(54) **SINK**

(75) Inventor: **Christophe Bucher**, Hillsborough, NJ
(US)

(73) Assignee: **AS IP Holdco, L.L.C.**, Piscataway, NJ
(US)

(**) Term: **14 Years**

(21) Appl. No.: **29/381,692**

(22) Filed: **Dec. 22, 2010**

(30) **Foreign Application Priority Data**

Dec. 21, 2010 (MX) MX/F/2011/000033

(51) **LOC (9) Cl.** **23-02**

(52) **U.S. Cl.** **D23/286**

(58) **Field of Classification Search** D23/238,
D23/241-243, 250, 252, 254, 255, 257, 271,
D23/284, 286, 308; 4/676-678, 662, 619,
4/630; 137/801

See application file for complete search history.

(56) **References Cited**

U.S. PATENT DOCUMENTS

D184,383 S *	2/1959	Stevens	D23/286
D535,728 S *	1/2007	Helmetzie	D23/286
D578,188 S *	10/2008	Hardesty	D23/308
D603,027 S *	10/2009	DeBoer et al.	D23/286
D629,873 S *	12/2010	Roy	D23/255

* cited by examiner

Primary Examiner — Robert Delehanty

(74) *Attorney, Agent, or Firm* — Flaster/Greenberg P.C.

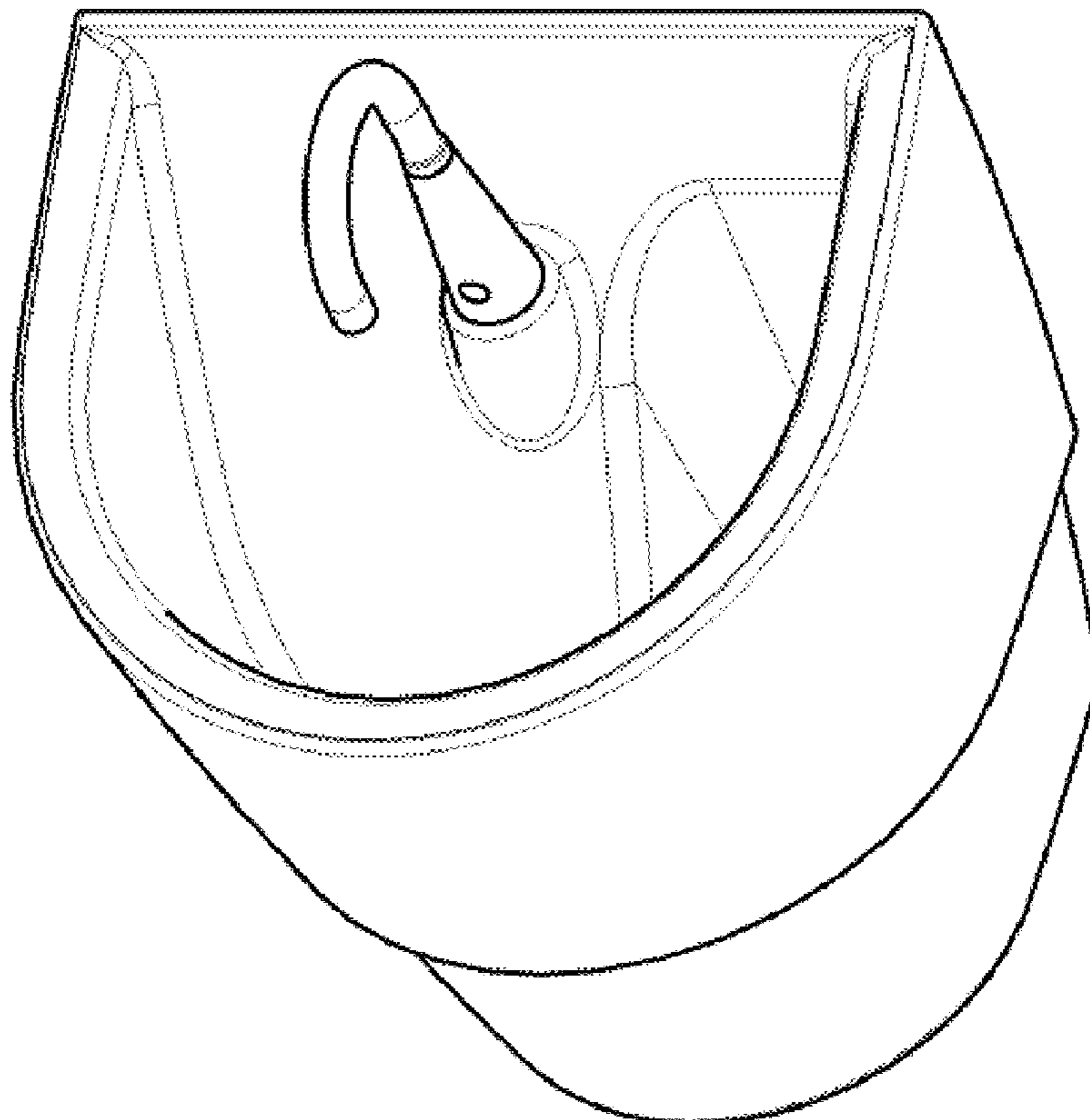
(57) **CLAIM**

The ornamental design for a sink, as shown and described.

DESCRIPTION

FIG. 1 is a view of a sink;
FIG. 2 is a front view of the sink of FIG. 1;
FIG. 3 is a right side view of the sink of FIG. 1;
FIG. 4 is a left side view of the sink of FIG. 1;
FIG. 5 is a rear of the sink of FIG. 1;
FIG. 6 is a bottom view of the sink of FIG. 1; and
FIG. 7 is a top view of the sink of FIG. 1; and,
FIG. 8 is a right view of the sink in cross section of FIG. 1.

1 Claim, 8 Drawing Sheets



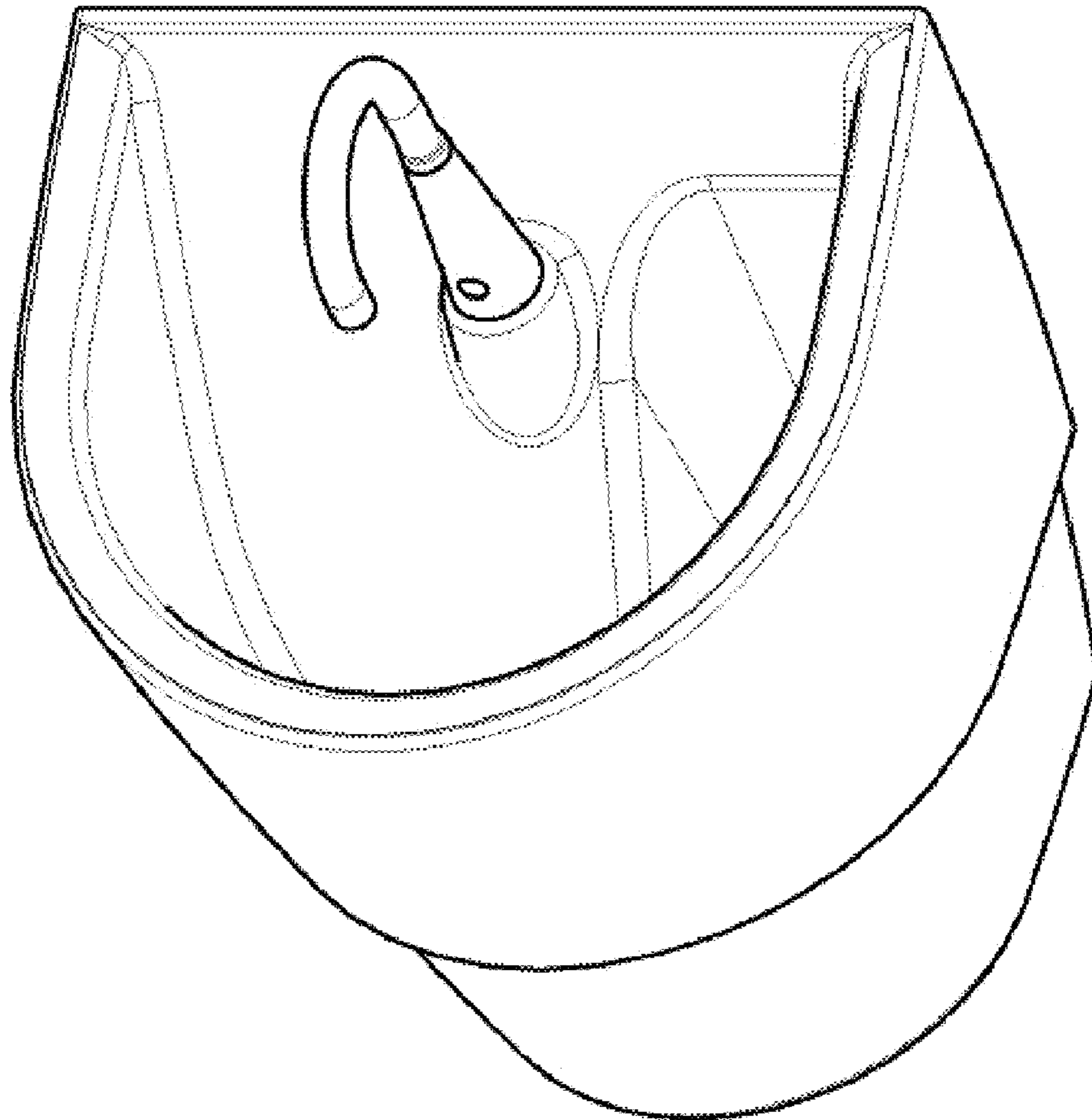


FIGURE 1

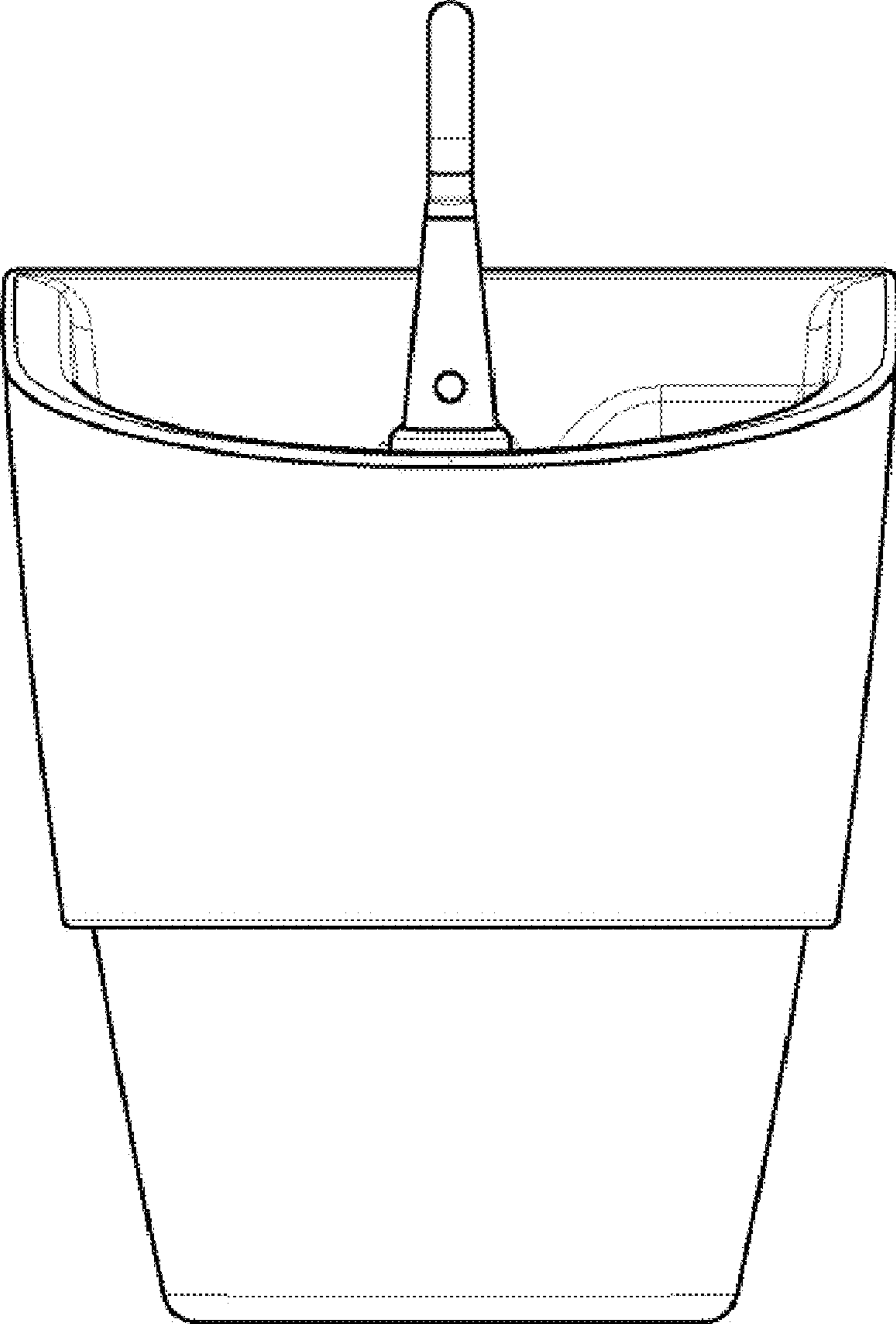


FIGURE 2

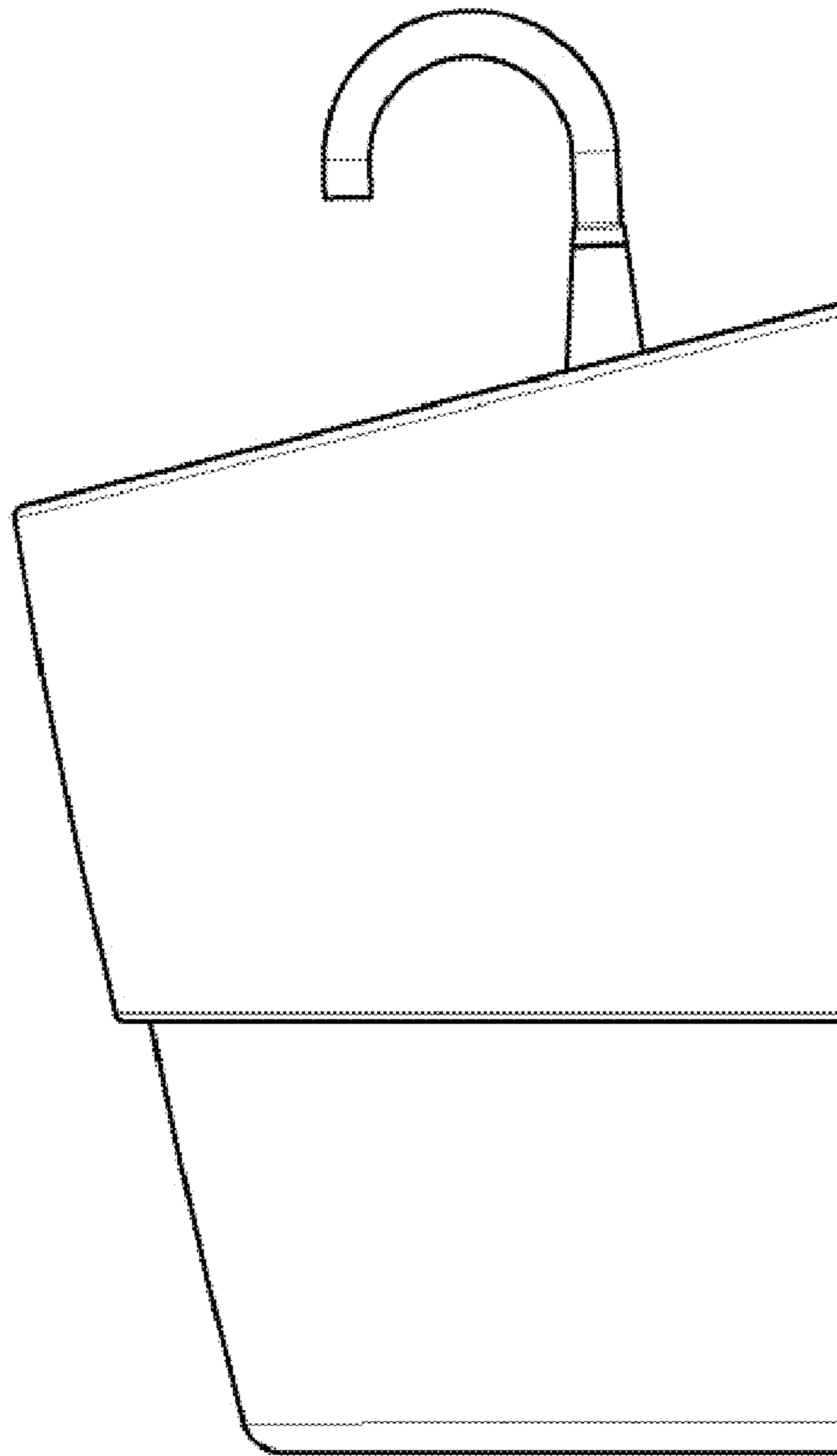


FIGURE 3

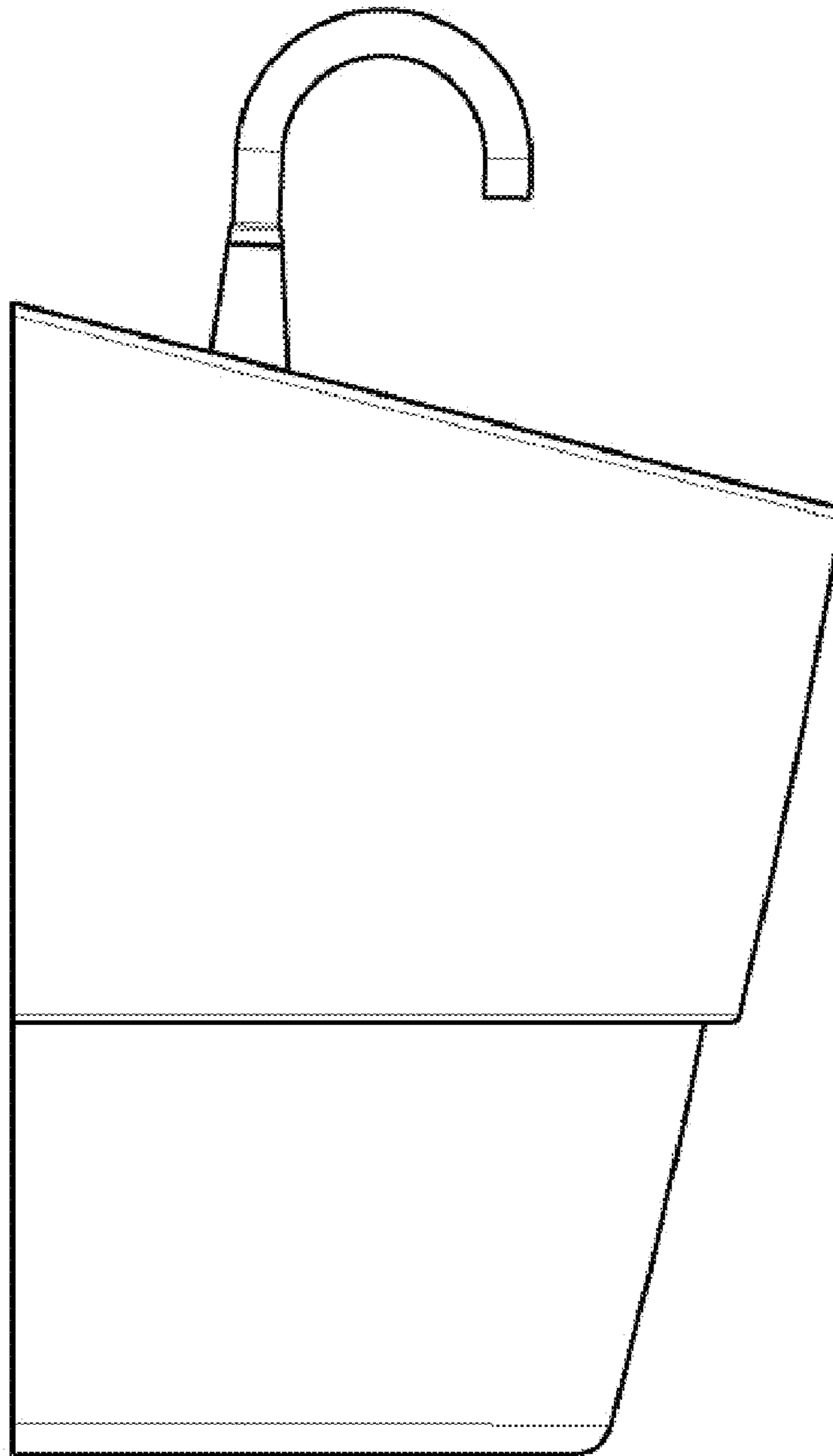


FIGURE 4

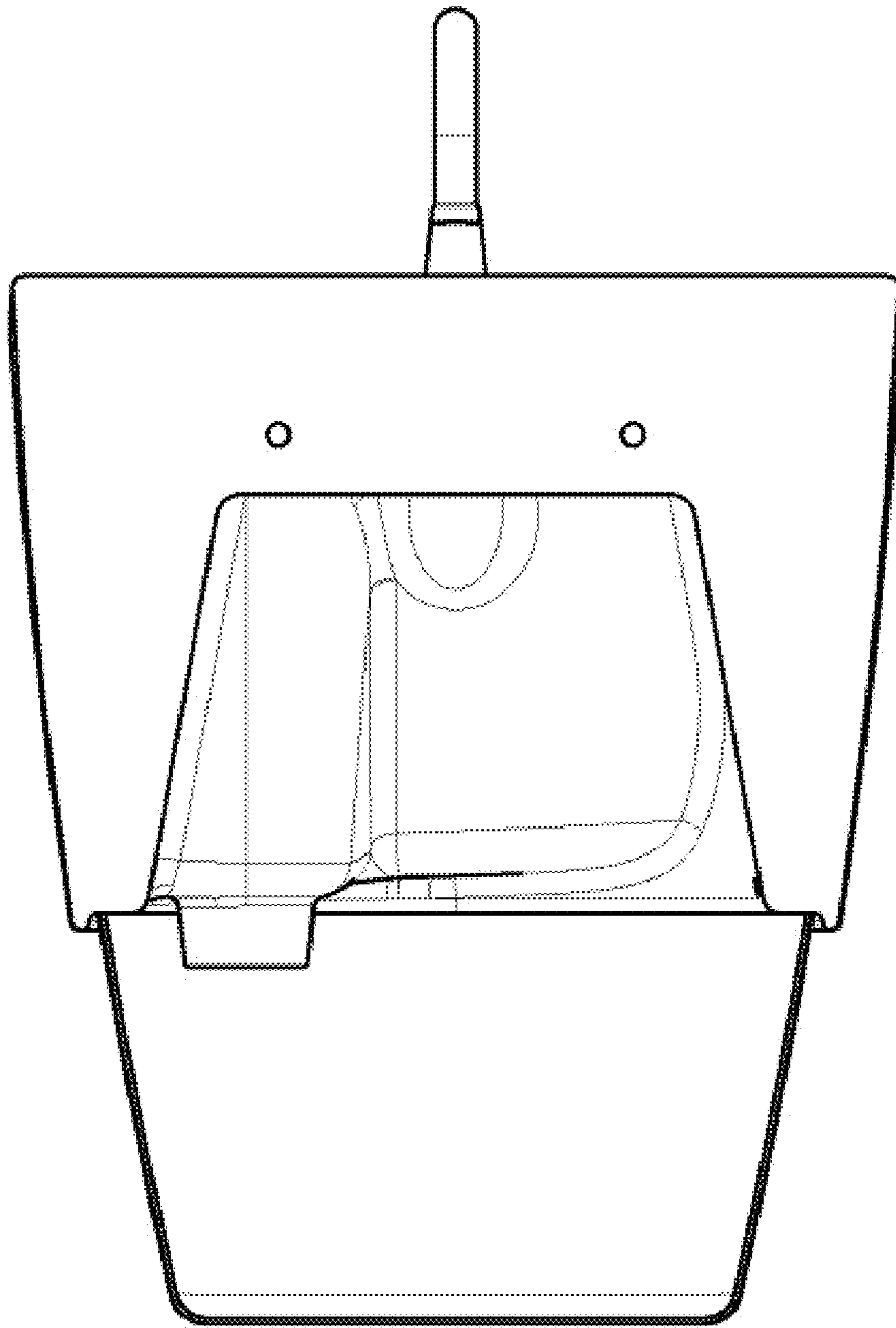


FIGURE 5

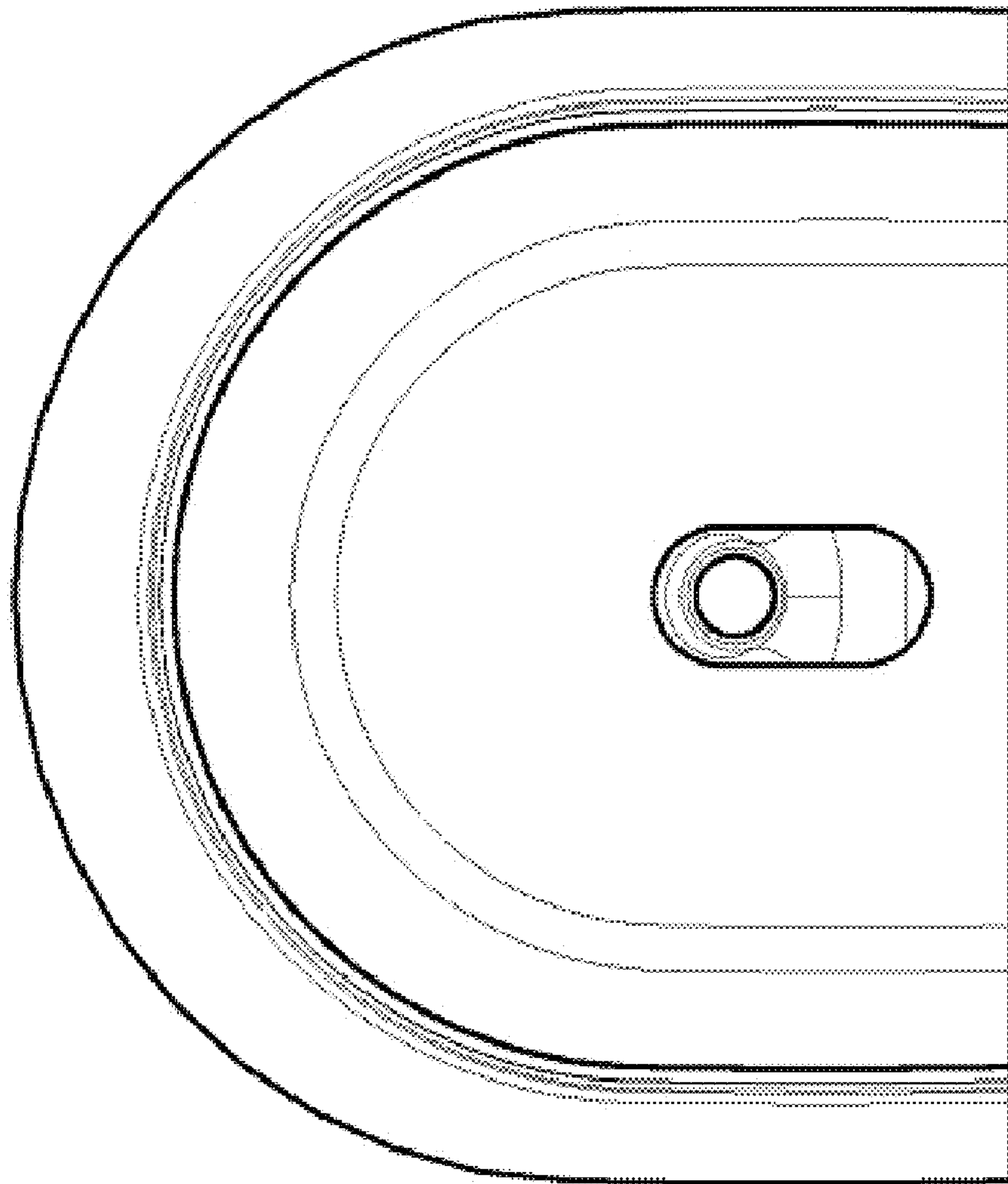


FIGURE 6

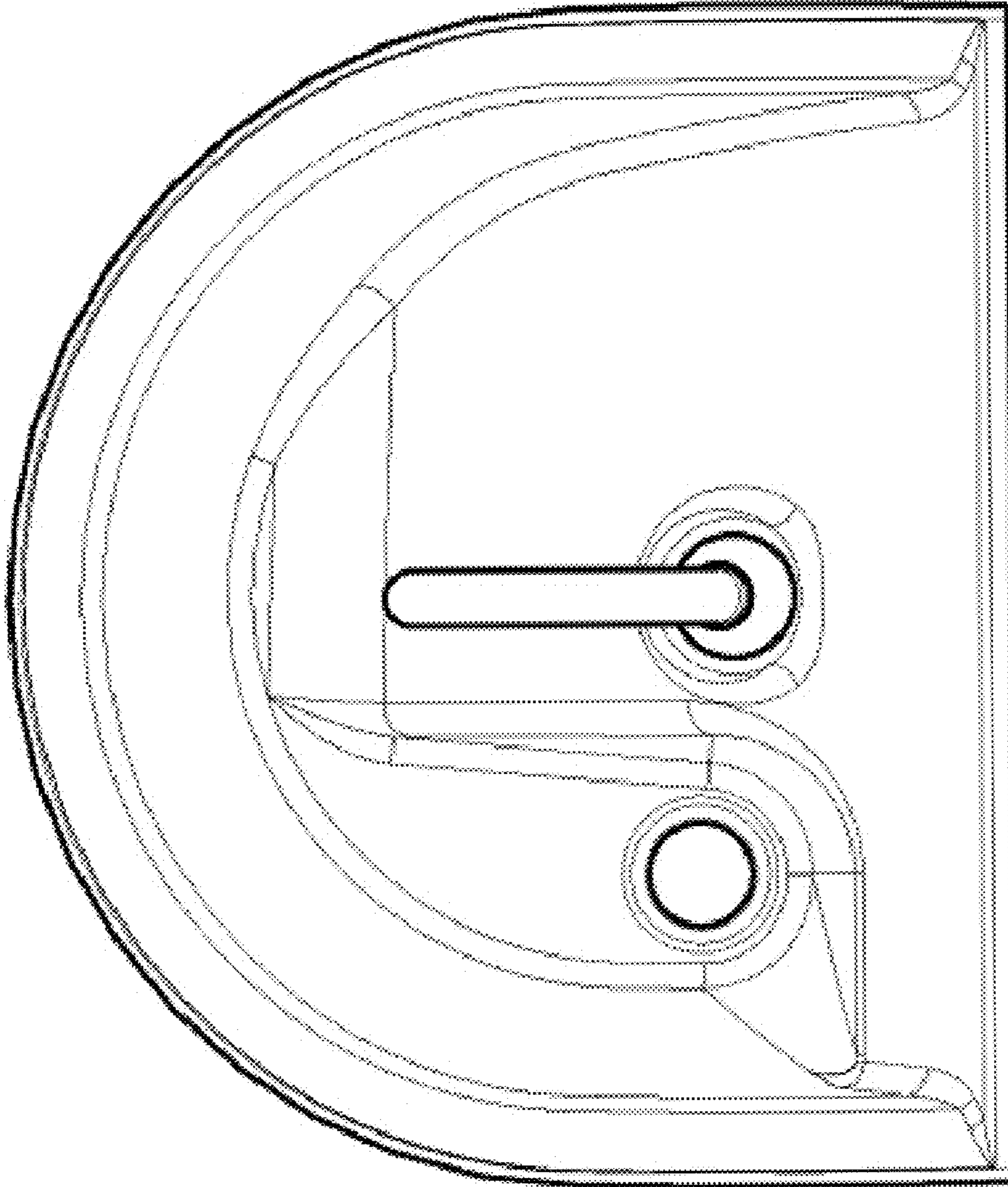


FIGURE 7

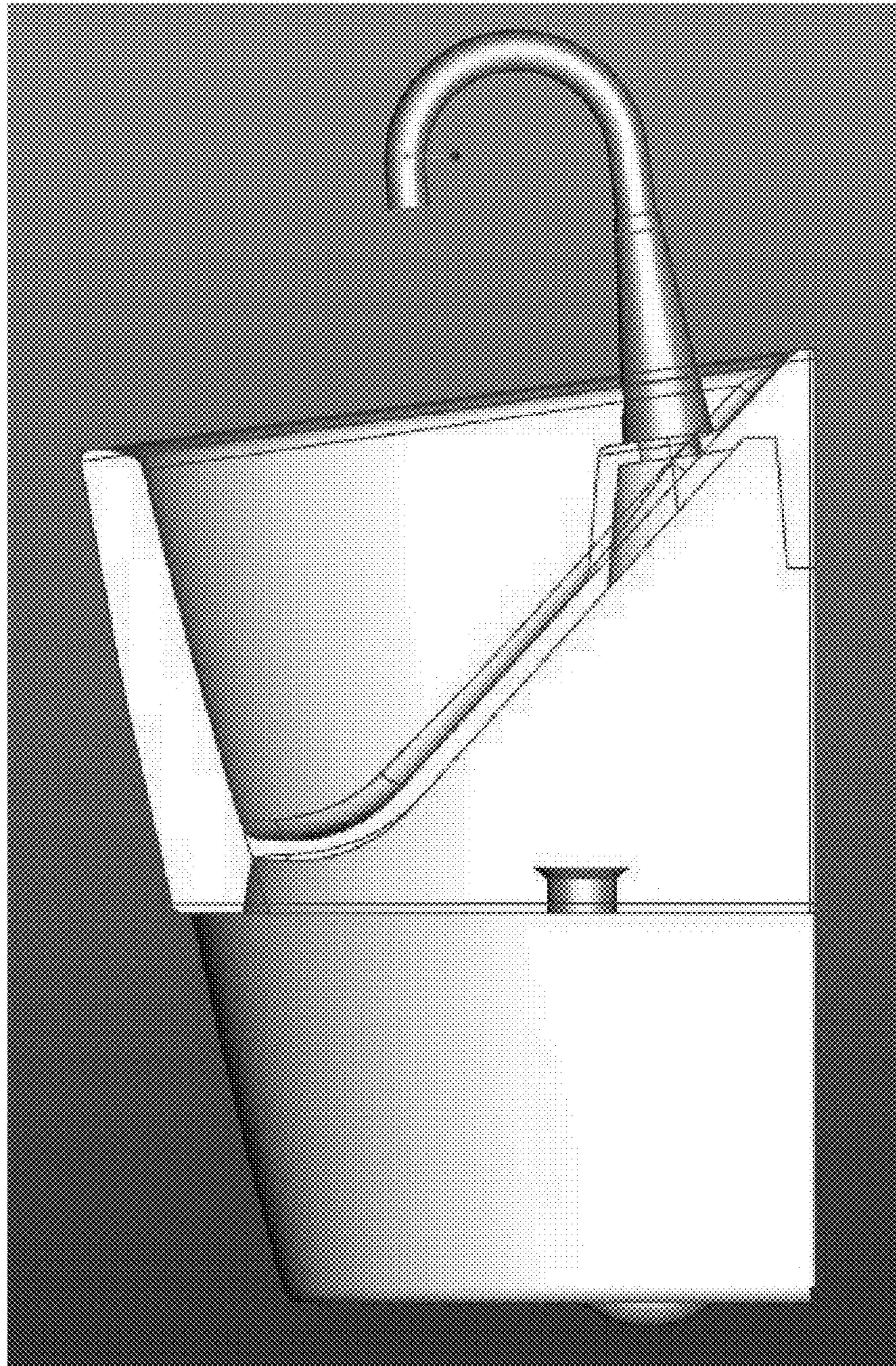


FIGURE 8