



US00D654990S

(12) **United States Design Patent**  
**Coley**

(10) **Patent No.:** **US D654,990 S**  
(45) **Date of Patent:** **\*\* Feb. 28, 2012**

- (54) **FLUID PIPE**
  - (75) Inventor: **Mark Coley**, Ocala, FL (US)
  - (73) Assignee: **Class 1, Inc.**, Ocala, FL (US)
  - (\*\*) Term: **14 Years**
  - (21) Appl. No.: **29/354,636**
  - (22) Filed: **Jan. 27, 2010**
  - (51) **LOC (9) Cl.** ..... **23-01**
  - (52) **U.S. Cl.** ..... **D23/266**
  - (58) **Field of Classification Search** ..... D23/259-269;  
285/133.11, 133.21, 133.3, 133.4, 133.5,  
285/133.6
- See application file for complete search history.

7,846,573 B2 *	12/2010	Kelly	.....	429/120
D644,305 S *	8/2011	White	.....	D23/266
2006/0001260 A1 *	1/2006	Thompson	.....	285/125.1
2007/0236010 A1 *	10/2007	Campau	.....	285/242
2008/0111376 A1 *	5/2008	Ferrero	.....	285/376

**OTHER PUBLICATIONS**

Suction Manifold 6 inch Rams Horn—Machining, Drawing No. 178-0470-00-0, 1 page, dated Jul. 6, 2004.

\* cited by examiner

*Primary Examiner* — T. Chase Nelson  
*Assistant Examiner* — Eric Goodman  
(74) *Attorney, Agent, or Firm* — Panitch Schwarze Belisario & Nadel LLP

(57) **CLAIM**  
The ornamental design for a fluid pipe, as shown and described.

(56) **References Cited**

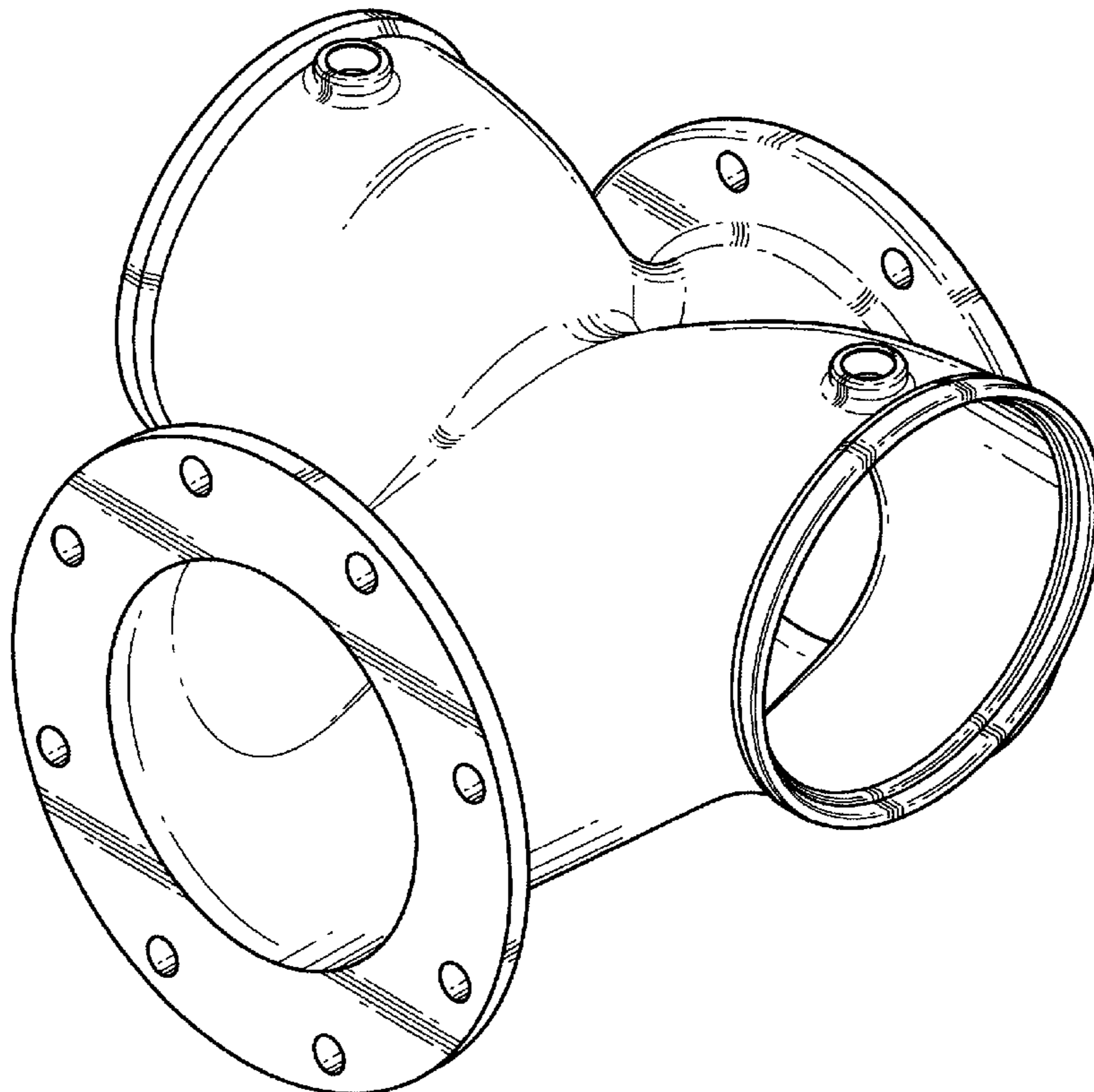
**U.S. PATENT DOCUMENTS**

1,255,562 A *	2/1918	Olson	.....	285/133.4
1,911,454 A *	5/1933	Luff	.....	285/129.2
2,039,542 A *	5/1936	Lindquist	.....	285/133.3
2,511,343 A *	6/1950	Kaiser	.....	285/55
3,177,649 A *	4/1965	Tromel	.....	60/322
4,504,086 A *	3/1985	Carrow	.....	285/133.5
D297,759 S *	9/1988	Kerschke	.....	D23/266
4,831,824 A *	5/1989	Fukazawa	.....	60/322
D545,406 S *	6/2007	Surinak	.....	D23/266

**DESCRIPTION**

FIG. 1 is a front perspective view of the fluid pipe in accordance with a preferred embodiment of my new design; FIG. 2 is a bottom plan view of the embodiment; FIG. 3 is a top plan view of the embodiment; FIG. 4 is a right-side elevational view of the embodiment, a left side elevational view being a mirror image of FIG. 4; FIG. 5 is a front perspective view of the embodiment; and, FIG. 6 is a rear perspective view of the embodiment.

**1 Claim, 6 Drawing Sheets**



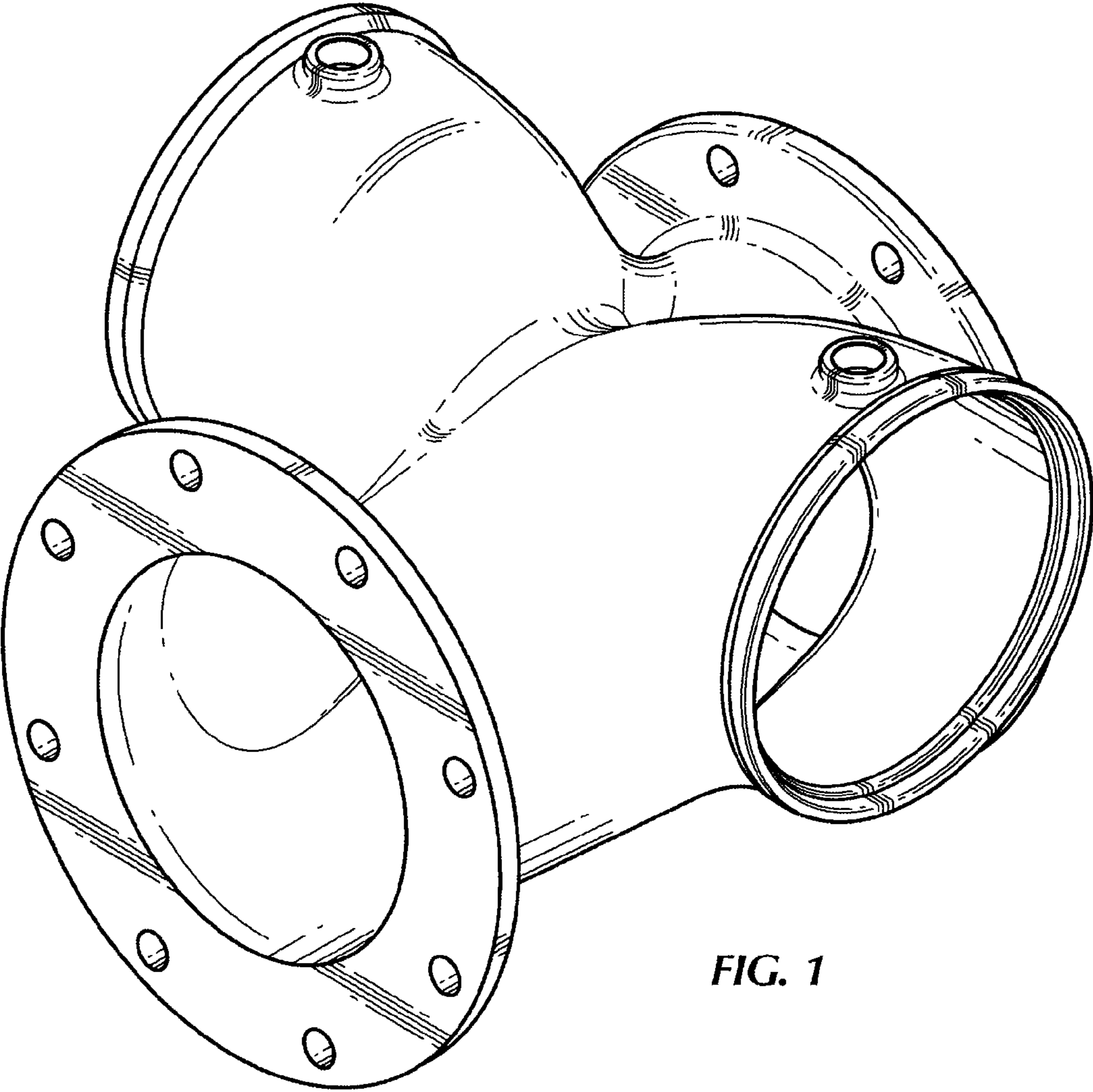


FIG. 1

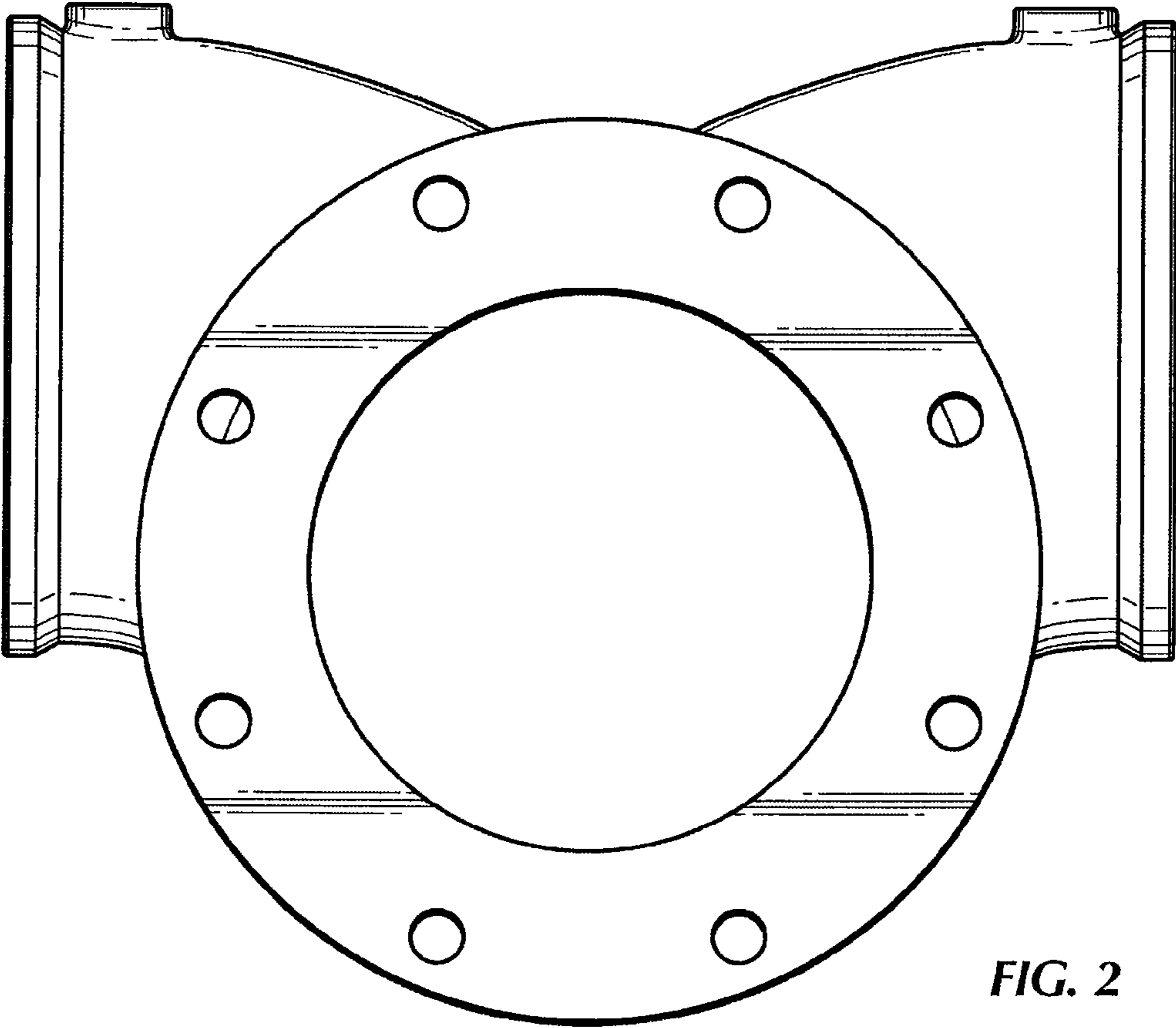


FIG. 2

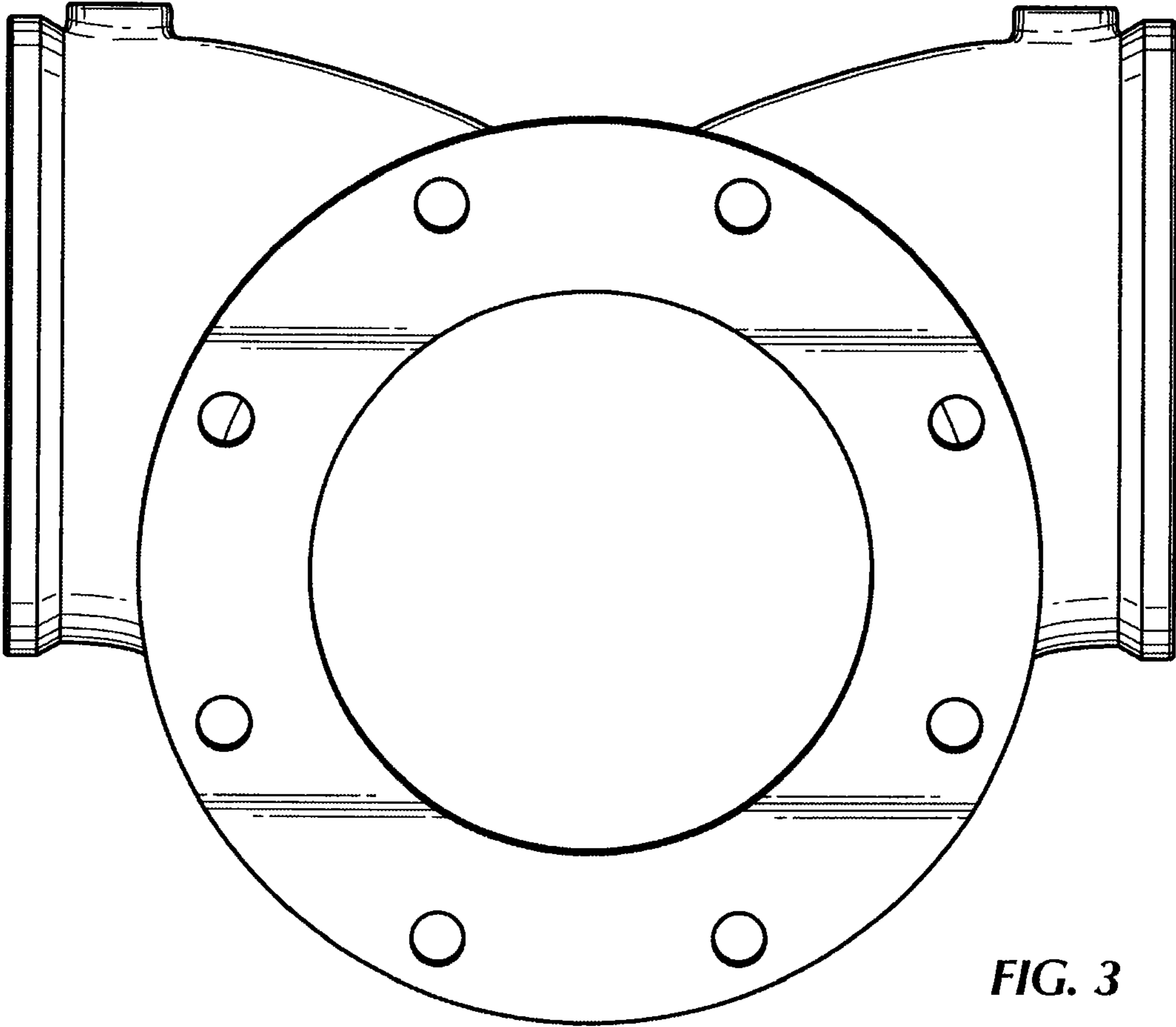
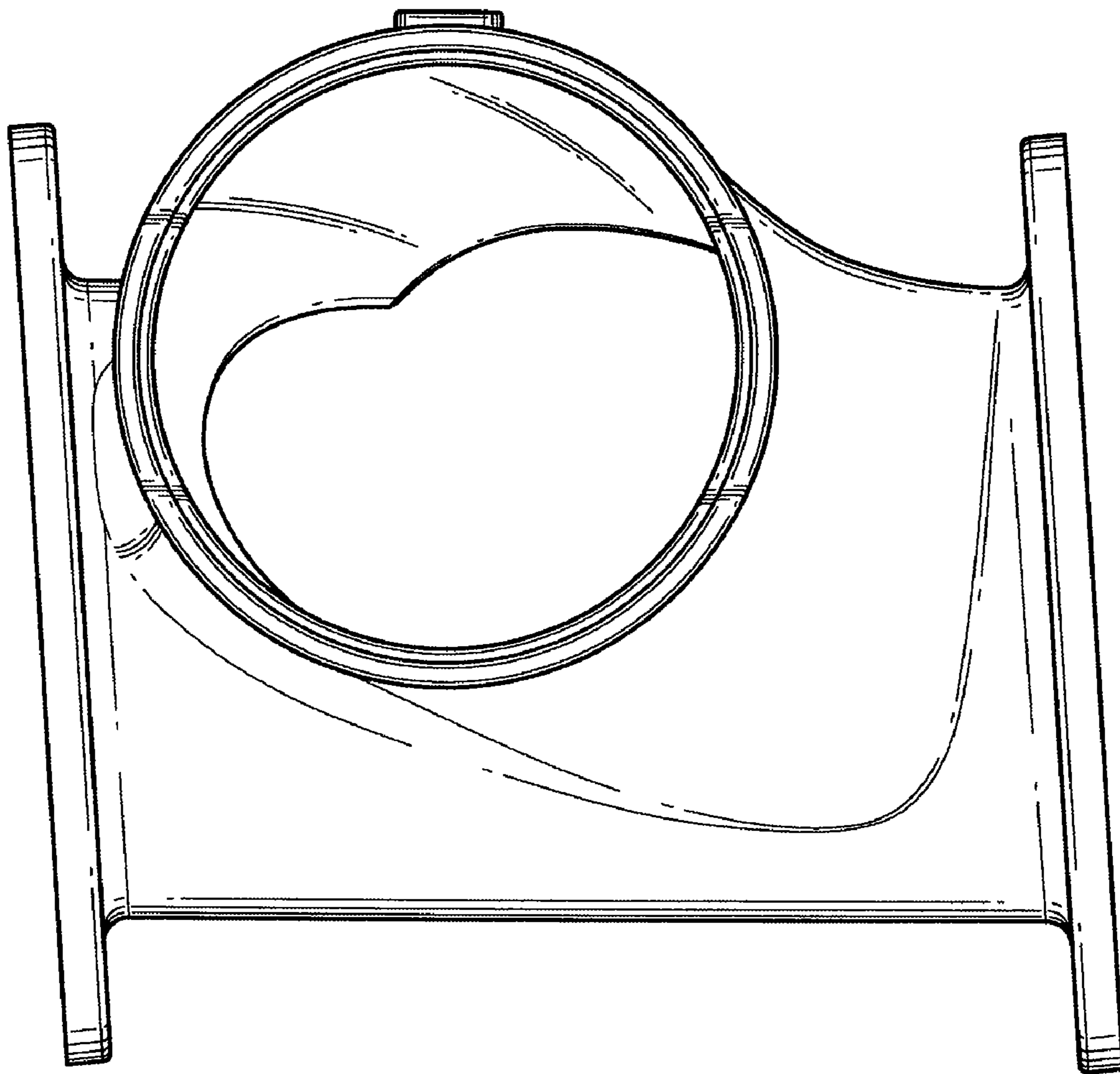


FIG. 3



**FIG. 4**

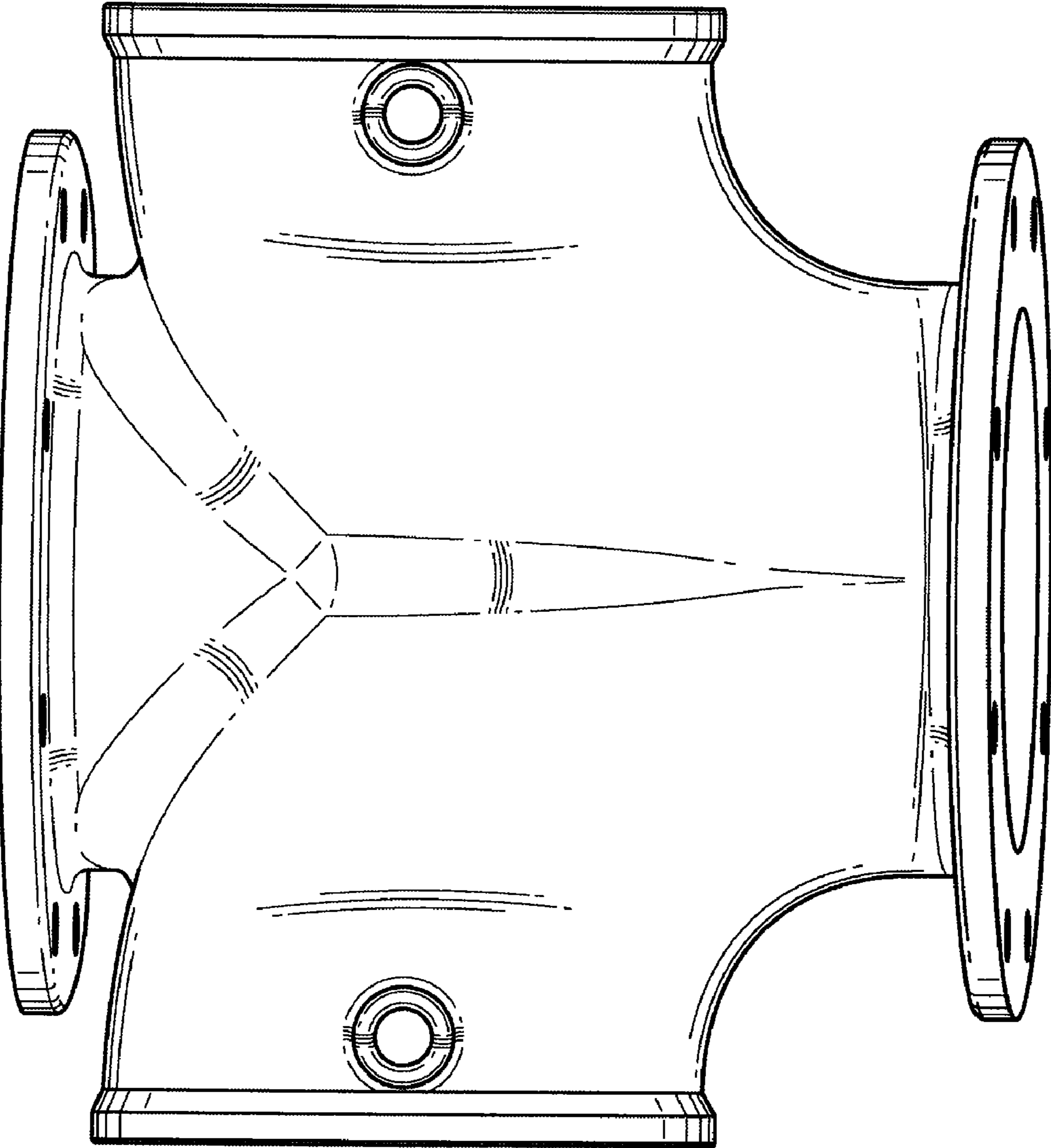


FIG. 5

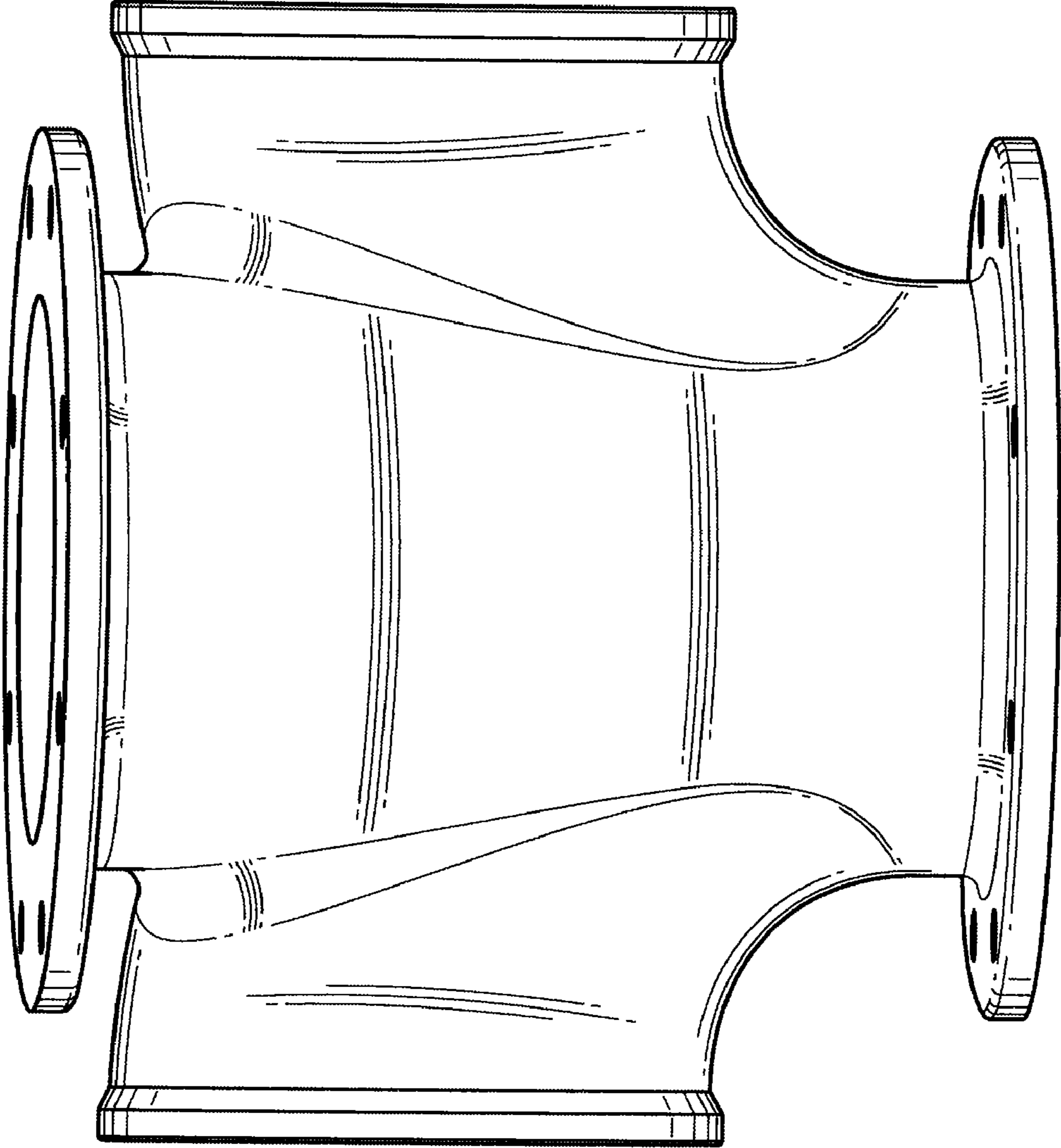


FIG. 6