



US00D654987S

(12) **United States Design Patent**
Romero

(10) **Patent No.:** **US D654,987 S**

(45) **Date of Patent:** **** Feb. 28, 2012**

(54) **FAUCET SPOUT**

D418,906 S * 1/2000 Lord D23/255
D618,310 S * 6/2010 Wang et al. D23/238

(75) Inventor: **Emilie Williams Romero**, Chicago, IL
(US)

* cited by examiner

(73) Assignee: **Masco Corporation of Indiana**,
Indianapolis, IN (US)

Primary Examiner — Robert Delehanty

(74) *Attorney, Agent, or Firm* — Edgar A. Zarins; Nirav D. Parikh; Lora J. Graentzdoerffer

(**) Term: **14 Years**

(57) **CLAIM**

The ornamental design for a faucet spout, as shown and described.

(21) Appl. No.: **29/389,998**

DESCRIPTION

(22) Filed: **Apr. 19, 2011**

(51) **LOC (9) Cl.** **23-01**

(52) **U.S. Cl.** **D23/257**

(58) **Field of Classification Search** D23/238,
D23/241–243, 250, 252, 254, 255, 257; 4/676–678;
137/801

See application file for complete search history.

FIG. 1 is a perspective view of a faucet spout showing my new design;

FIG. 2 is a right side view thereof, the opposite side being a mirror image of the side shown;

FIG. 3 is a front end view thereof;

FIG. 4 is a top plan view thereof; and,

FIG. 5 is a bottom view thereof.

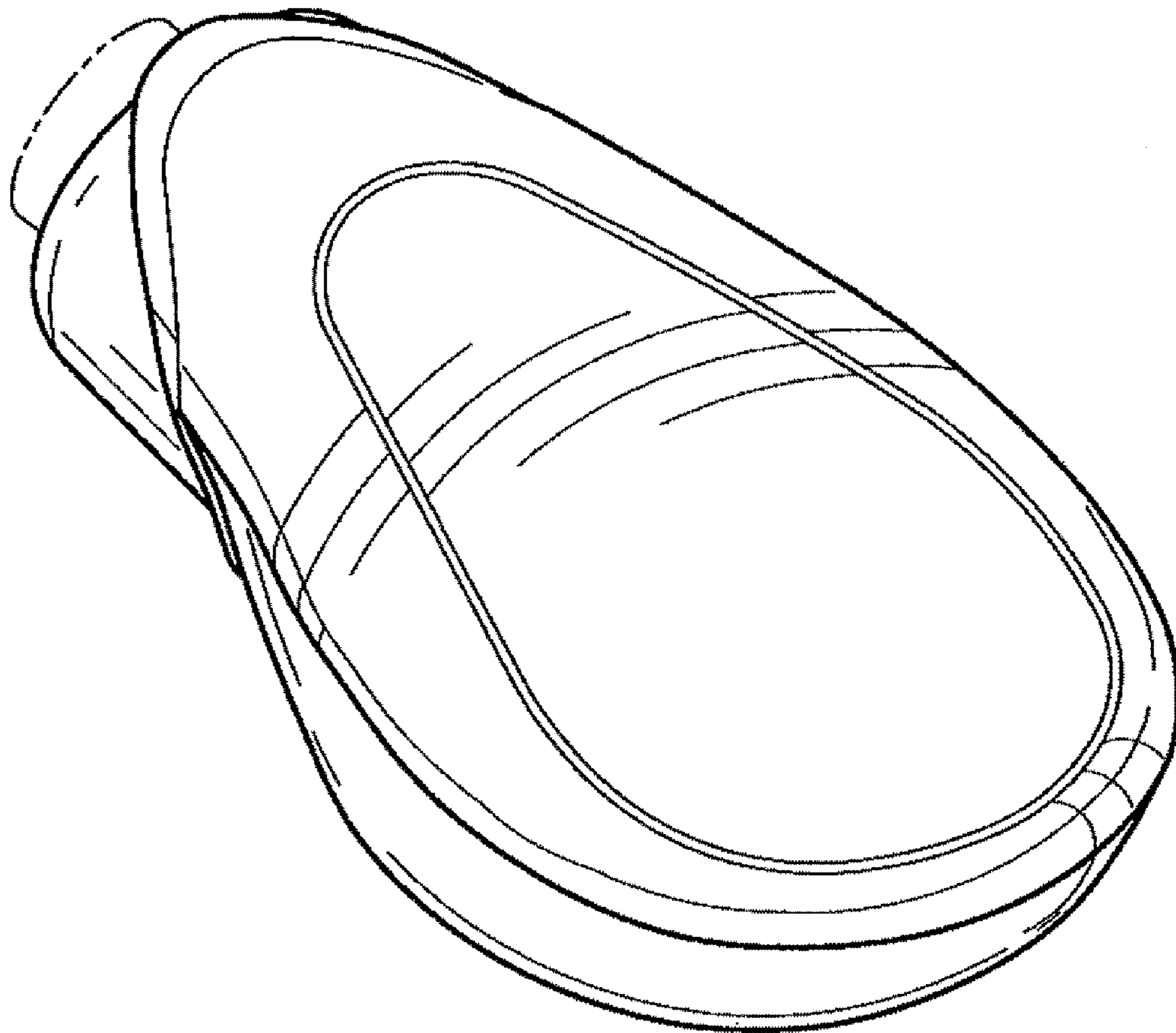
The broken lines shown in the drawings are included for the purpose of illustrating a portion of the faucet that forms no part of the claimed design.

(56) **References Cited**

U.S. PATENT DOCUMENTS

D364,213 S * 11/1995 Dannenberg et al. D23/238
D367,700 S * 3/1996 Hill et al. D23/255

1 Claim, 2 Drawing Sheets



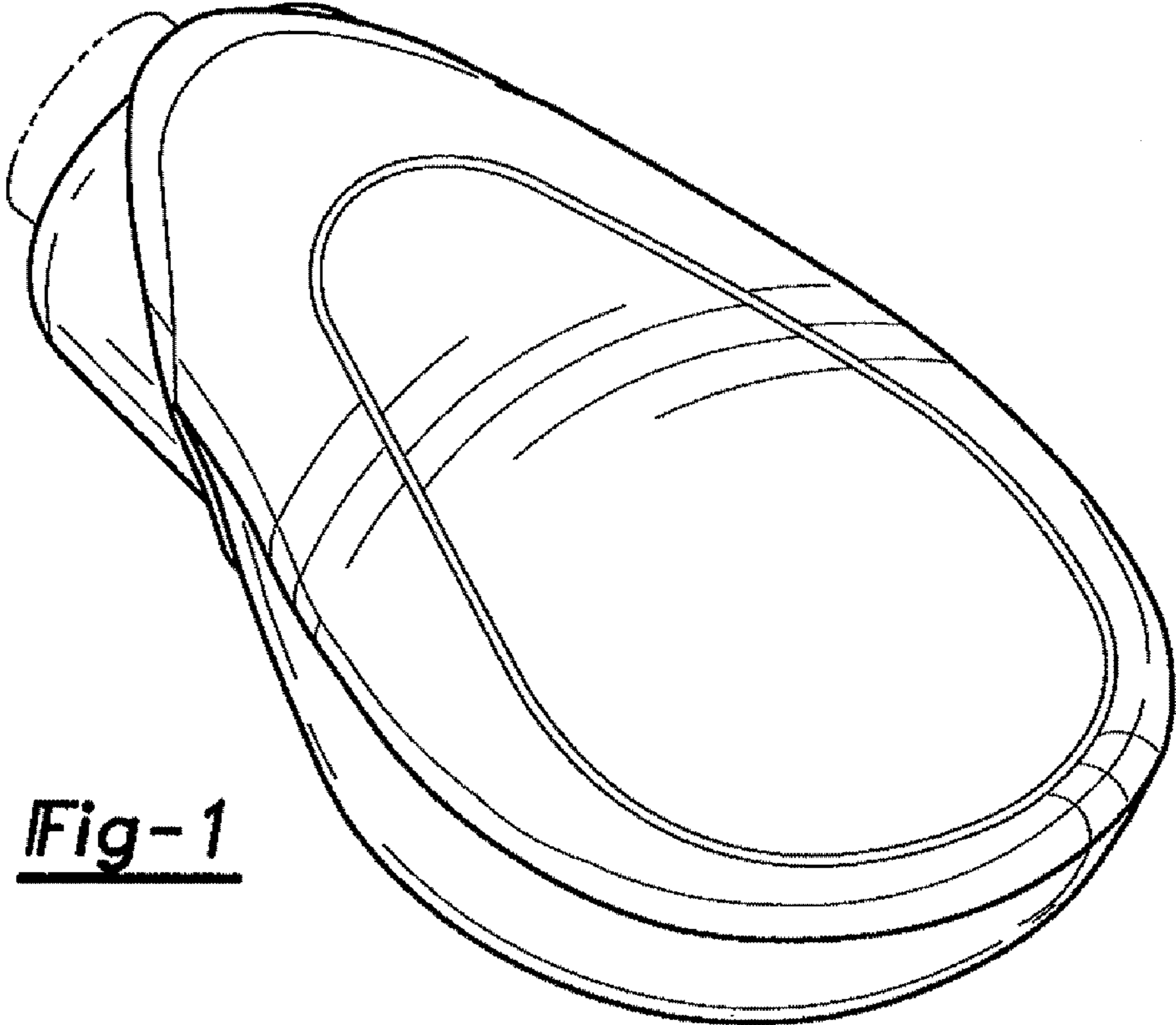


Fig-1

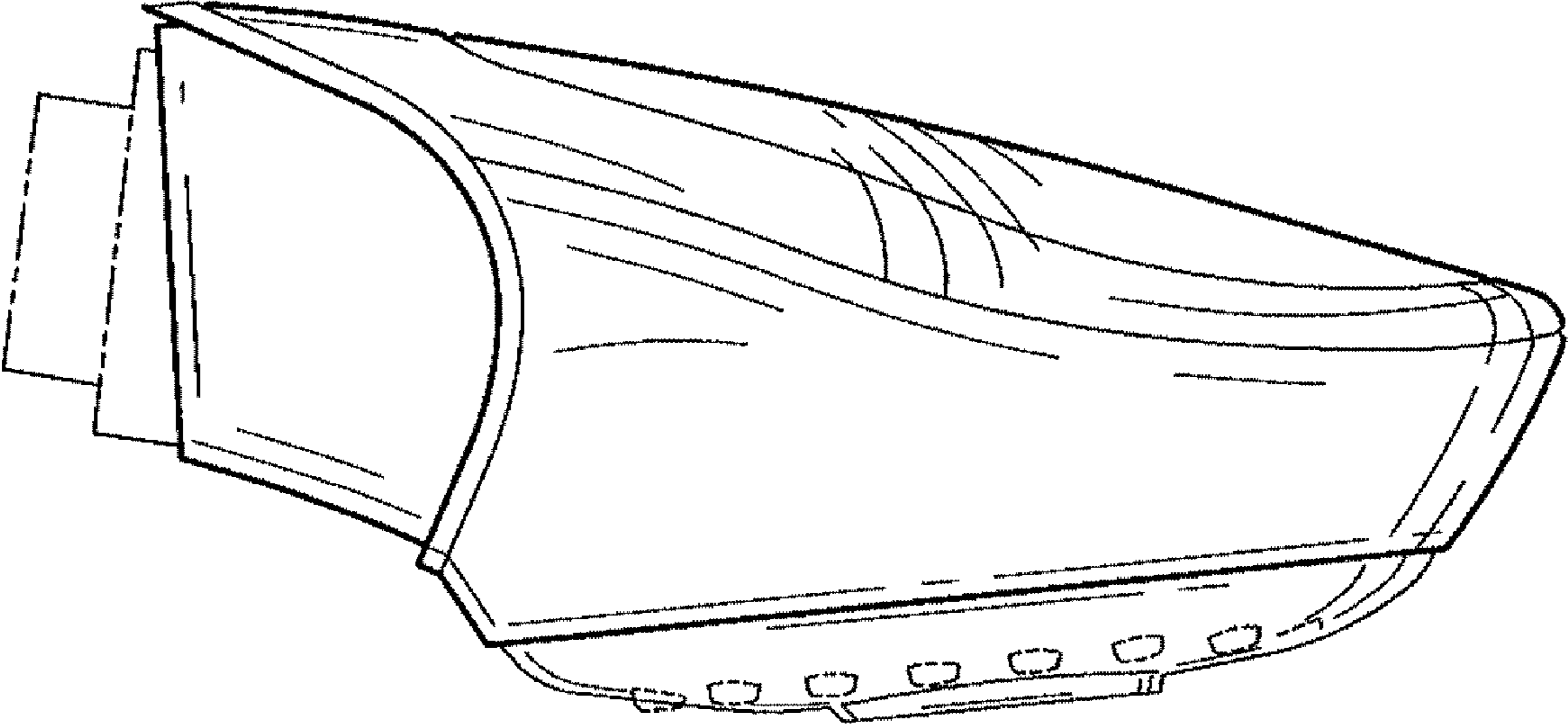


Fig-2

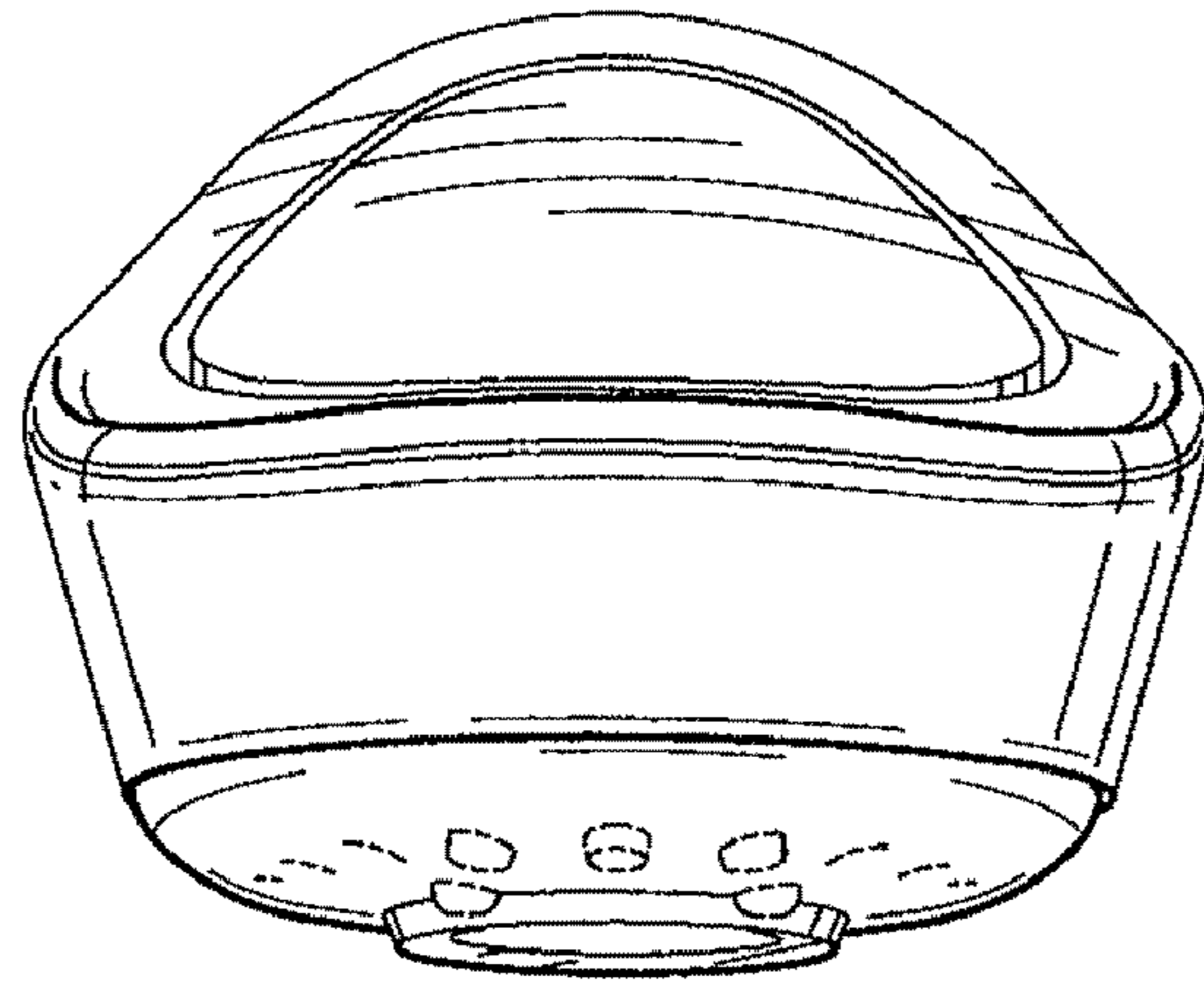


Fig-3

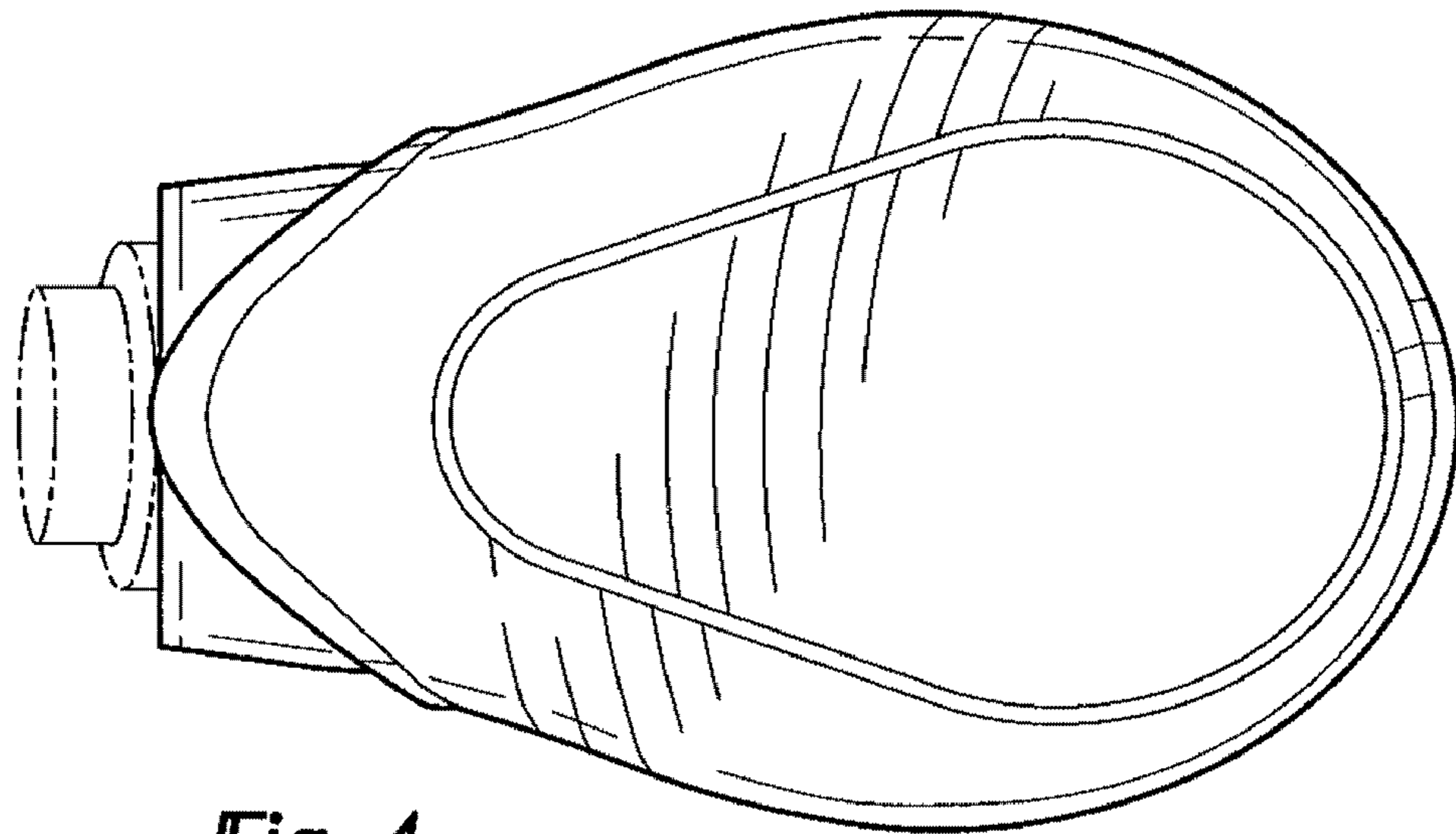


Fig-4

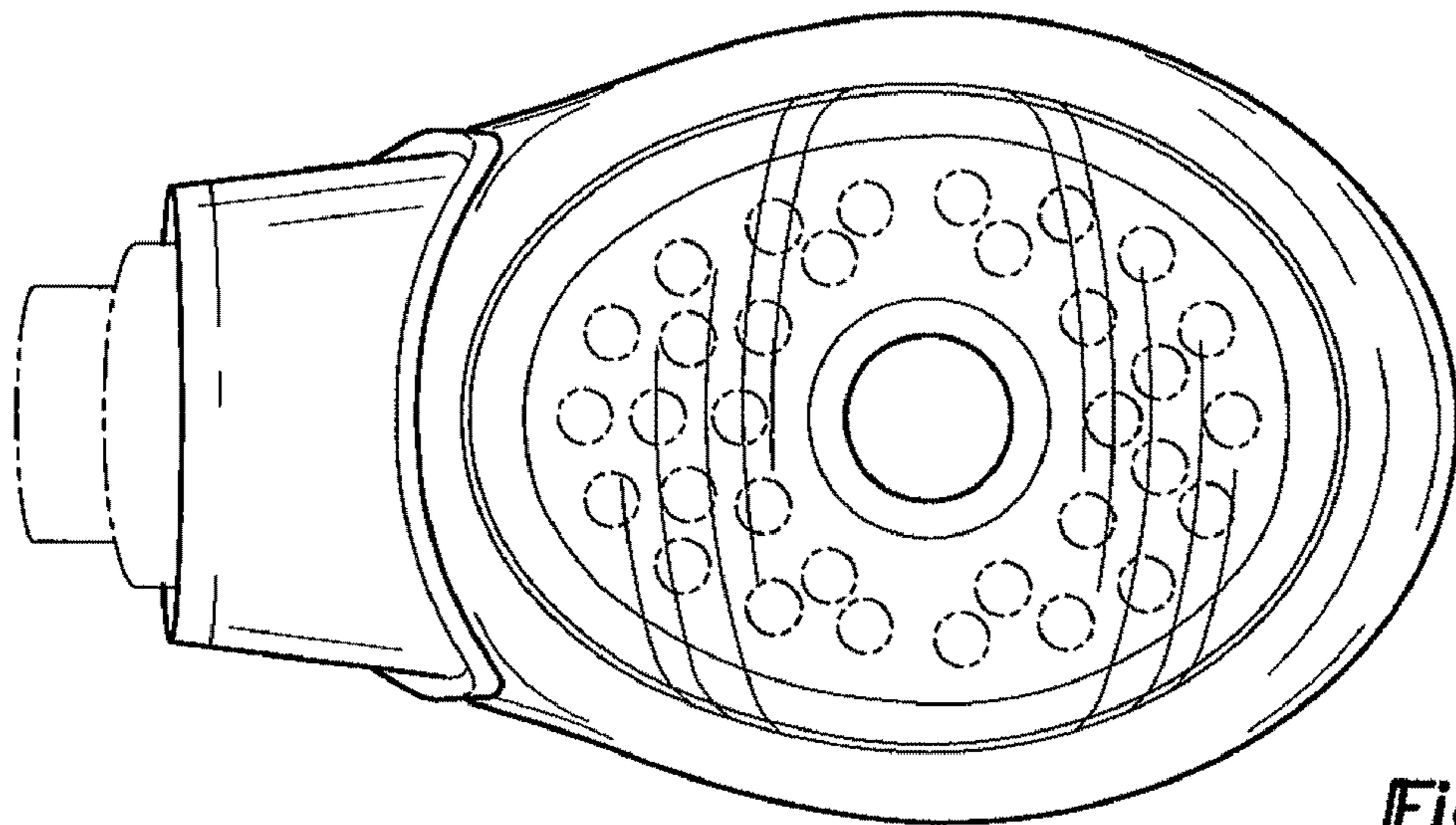


Fig-5