



US00D654982S

(12) **United States Design Patent**
Bertucci et al.

(10) **Patent No.:** **US D654,982 S**
(45) **Date of Patent:** **** Feb. 28, 2012**

(54) **FLUID DISPENSER**

(56)

References Cited

(75) Inventors: **Michael H. Bertucci**, Gurnee, IL (US);
Christopher F. Lang, Racine, WI (US);
Susan K. Lewis, Gurnee, IL (US);
Justin M. Nunez, Milwaukee, WI (US);
Timothy S. Jones, Sharpsburg, GA
(US); **Steven E. Schiller**, Kenosha, WI
(US); **Wayne P. Phillips**, Hudson, WI
(US); **Jerome A. Grunstad**, Inver Grove
Heights, MN (US)

U.S. PATENT DOCUMENTS

3,346,144 A	10/1967	Hings	
3,620,415 A	11/1971	Ruth	
3,642,171 A	2/1972	Ernst	
3,984,698 A	10/1976	Brewer	
4,023,778 A	5/1977	Joly et al.	
4,363,341 A	12/1982	Powell	
4,538,919 A	9/1985	Bohnensieker	
D333,951 S *	3/1993	Courtney et al. D8/2
5,905,312 A	5/1999	Liou	
6,029,688 A	2/2000	Kaufman	

(Continued)

(73) Assignee: **Diversey, Inc.**, Sturtevant, WI (US)

FOREIGN PATENT DOCUMENTS

DE	4026283	2/1991
----	---------	--------

(Continued)

(**) Term: **14 Years**

Primary Examiner — Brian N Vinson

(21) Appl. No.: **29/400,897**

(74) *Attorney, Agent, or Firm* — Gregory S. Bollis

(22) Filed: **Sep. 2, 2011**

(57) **CLAIM**

The ornamental design for a fluid dispenser, as shown and described.

Related U.S. Application Data

DESCRIPTION

(60) Continuation of application No. 29/383,027, filed on Jan. 11, 2011, now Pat. No. Des. 645,934, which is a continuation of application No. 29/365,645, filed on Jul. 13, 2010, now Pat. No. Des. 631,940, which is a continuation of application No. 29/342,206, filed on Aug. 20, 2009, now Pat. No. Des. 619,676, which is a division of application No. 29/291,940, filed on Sep. 21, 2007, now Pat. No. Des. 599,879.

FIG. 1 is a perspective view of a fluid dispenser showing our new design;
FIG. 2 is a left side elevational view thereof;
FIG. 3 is a front elevational view thereof;
FIG. 4 is a right side elevational view thereof;
FIG. 5 is a rear elevational view thereof;
FIG. 6 is a top plan view thereof;
FIG. 7 is an additional perspective view thereof;
FIG. 8 is an additional left side elevational view thereof;
FIG. 9 is an additional front elevational view thereof;
FIG. 10 is an additional right side elevational view thereof;
FIG. 11 is an additional rear elevational view thereof; and,
FIG. 12 is an additional top plan view thereof.

(51) **LOC (9) Cl.** **23-01**

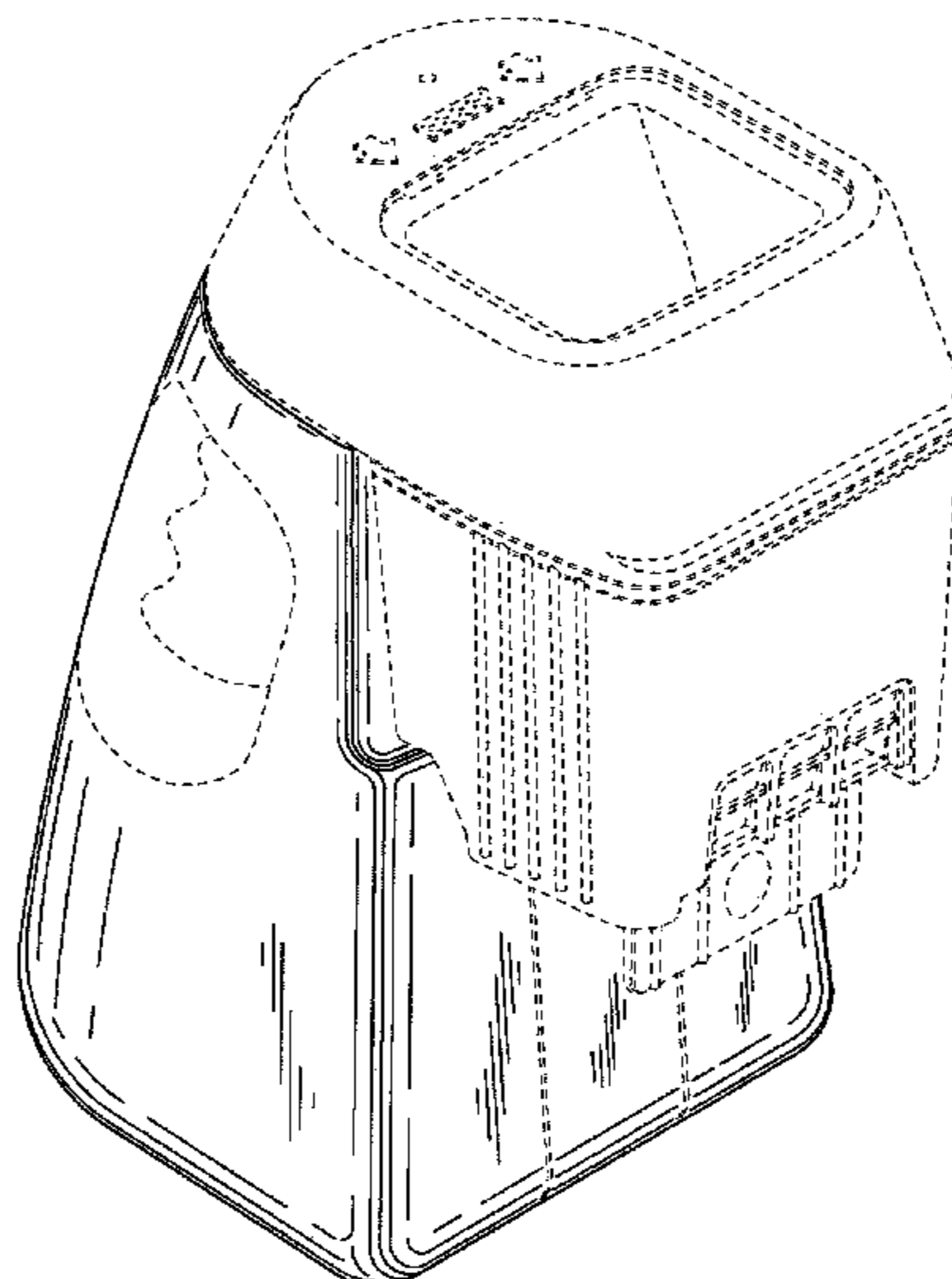
(52) **U.S. Cl.** **D23/208**

(58) **Field of Classification Search** D15/147,
D15/199; D8/2; D23/200, 207, 208, 213,
D23/223; 366/129, 162.1-162.3, 336, 342,
366/344; 290/54; 222/52-59

The broken-line disclosure in the views is understood to represent portions of the article in which the claimed design is embodied, but which form no part of the claimed design.

See application file for complete search history.

1 Claim, 12 Drawing Sheets



US D654,982 S

Page 2

U.S. PATENT DOCUMENTS

6,079,871	A	6/2000	Jonas et al.
6,173,458	B1	1/2001	Maddux
D463,226	S *	9/2002	Winkler D8/2
D510,609	S *	10/2005	Huang D23/223
7,090,098	B2	8/2006	Livingston et al.
D534,044	S *	12/2006	Zak D8/2
D540,906	S *	4/2007	Hardwick D23/208
7,235,894	B2	6/2007	Roos
D571,432	S *	6/2008	Hardwick D23/208
D599,879	S	9/2009	Bertucci et al.
D619,676	S	7/2010	Bertucci et al.
2005/0247742	A1	11/2005	Livingston et al.
2006/0043738	A1	3/2006	Roos

FOREIGN PATENT DOCUMENTS

EP	0098419	1/1984
FR	1060506	4/1954
FR	2808898	11/2001
GB	1915 9067	6/1916
GB	266883	3/1927
GB	777043	6/1957
GB	974211	11/1964
JP	09014129	1/1997
JP	09048479	2/1997
WO	97/48321	12/1997

* cited by examiner

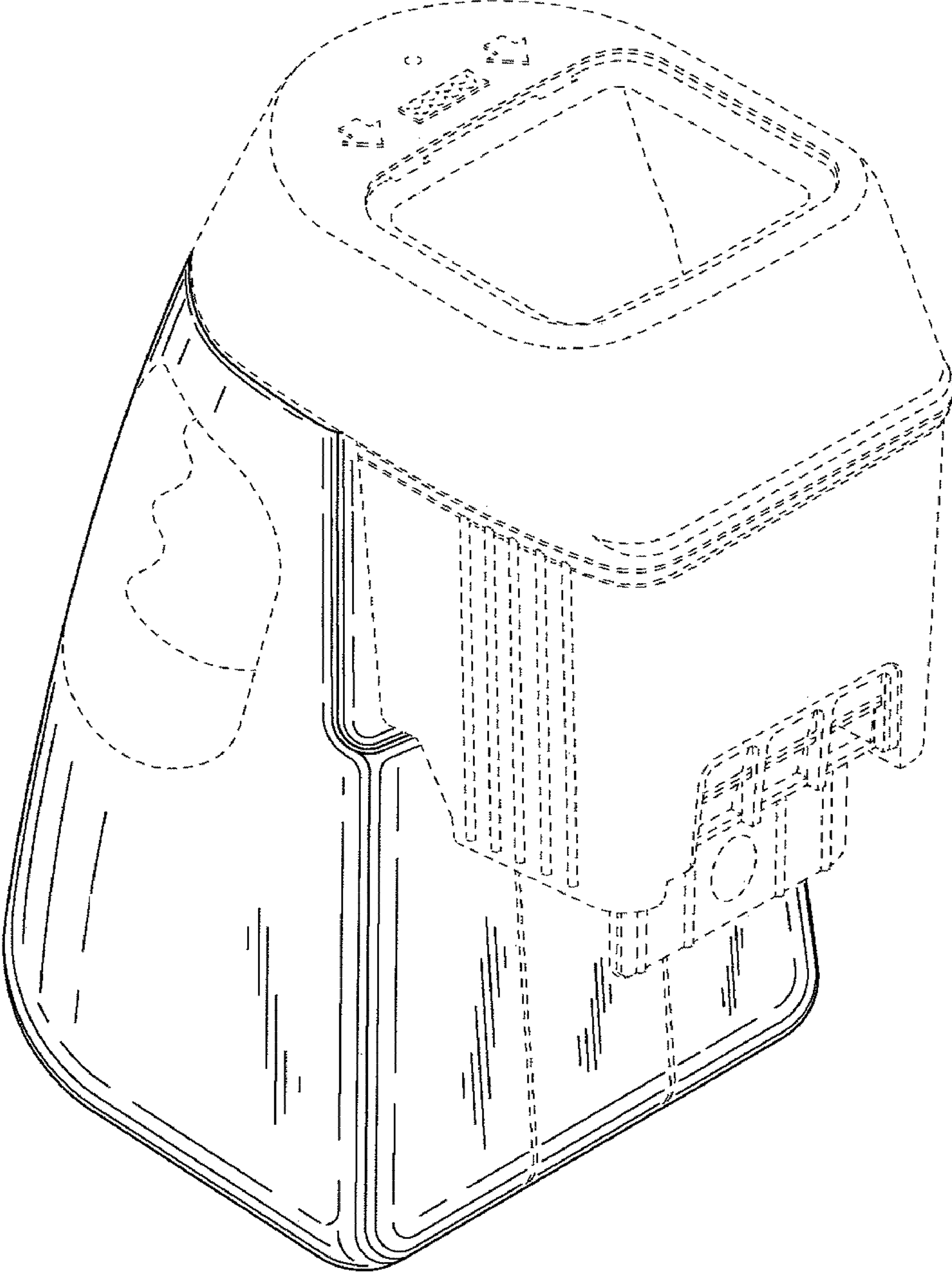


FIG. 1

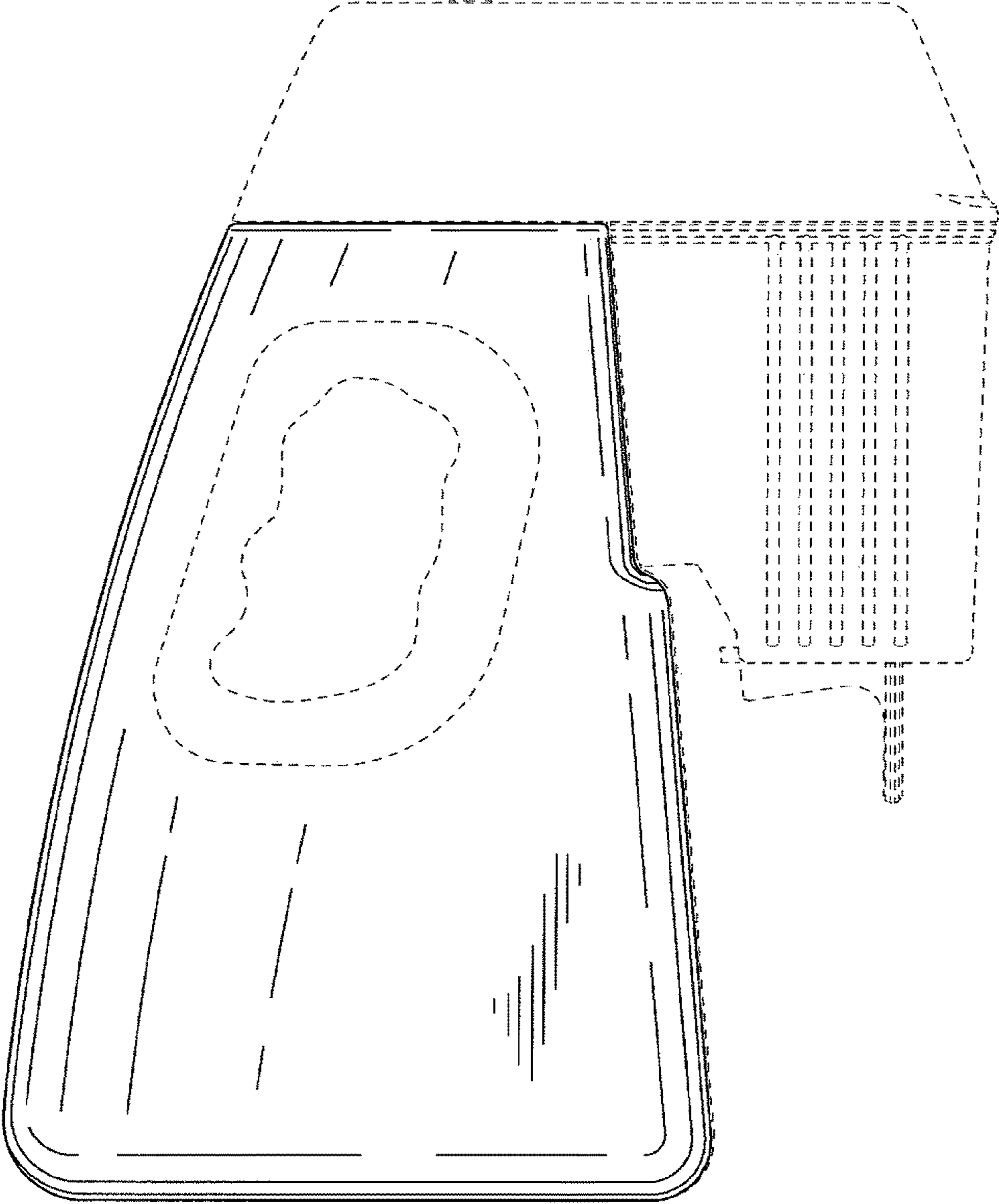


FIG. 2

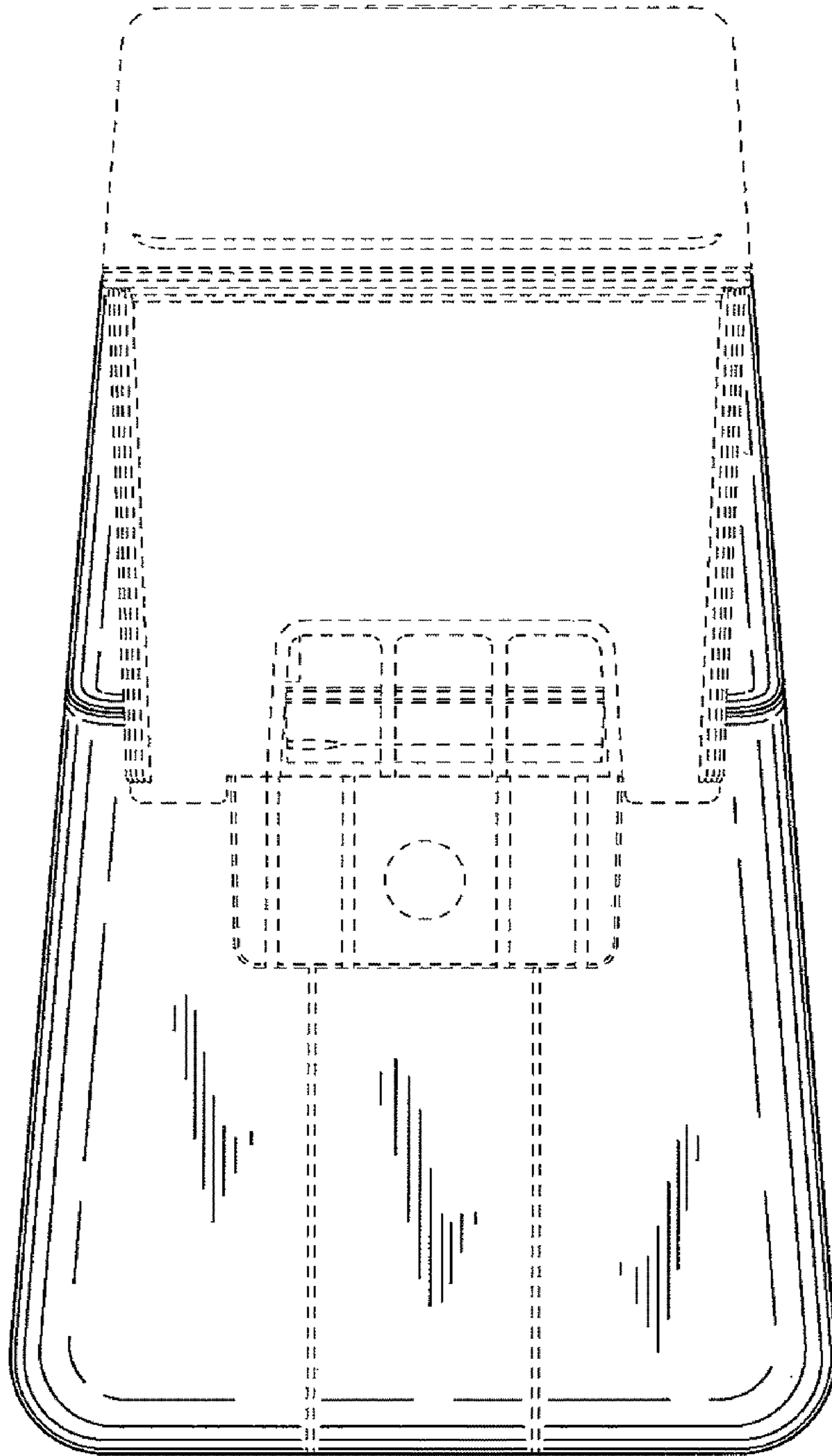


FIG. 3

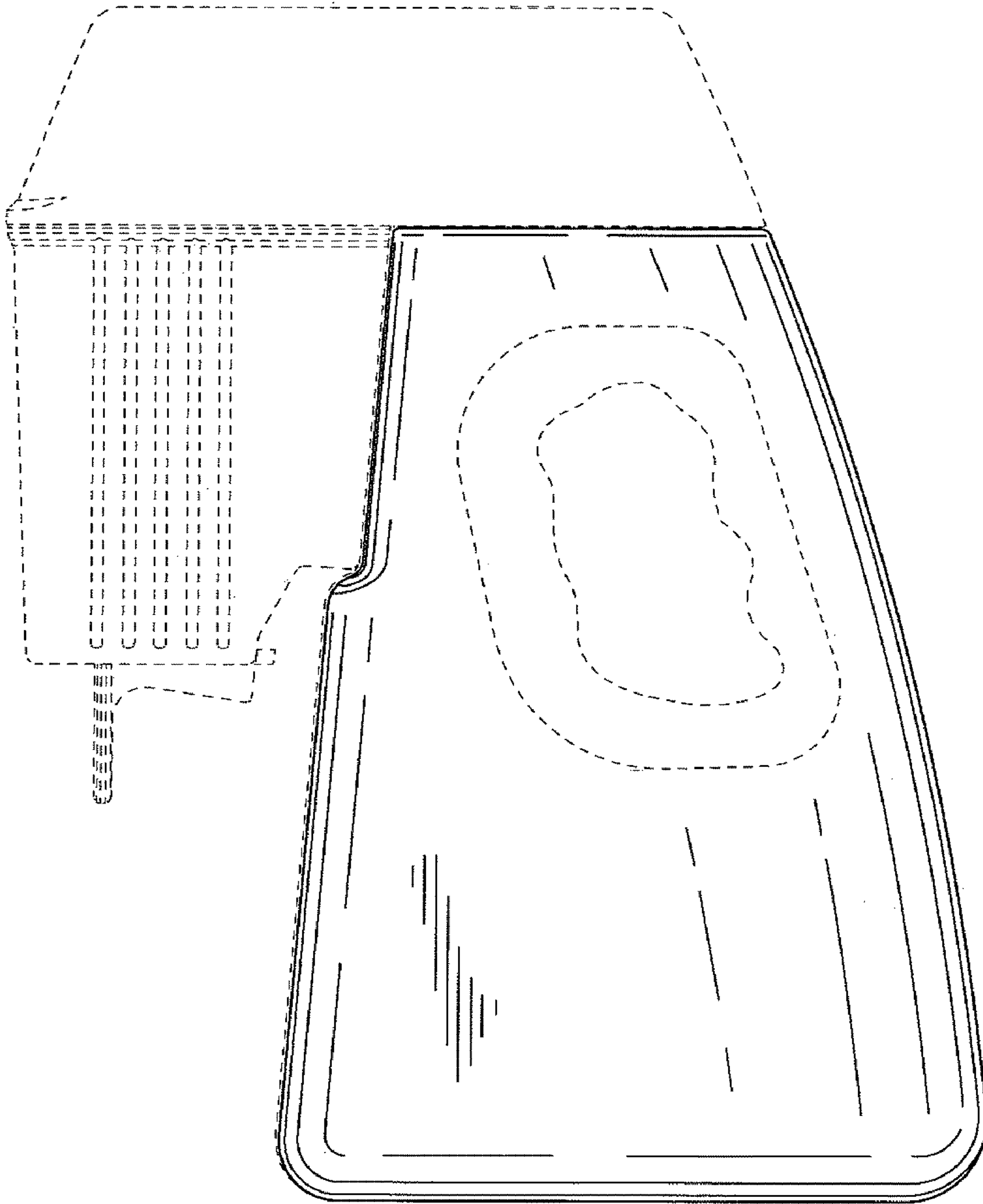


FIG. 4

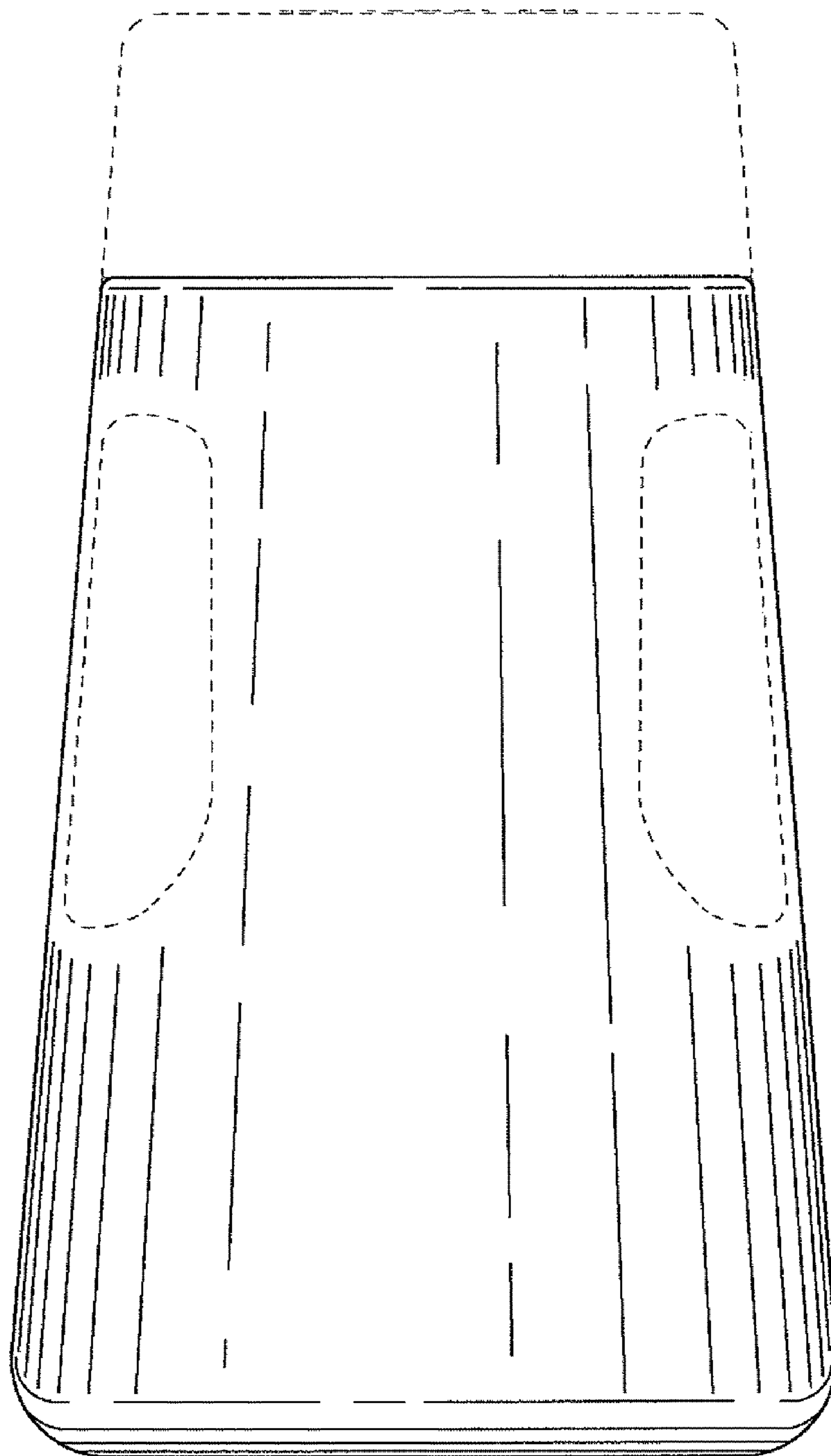


FIG. 5

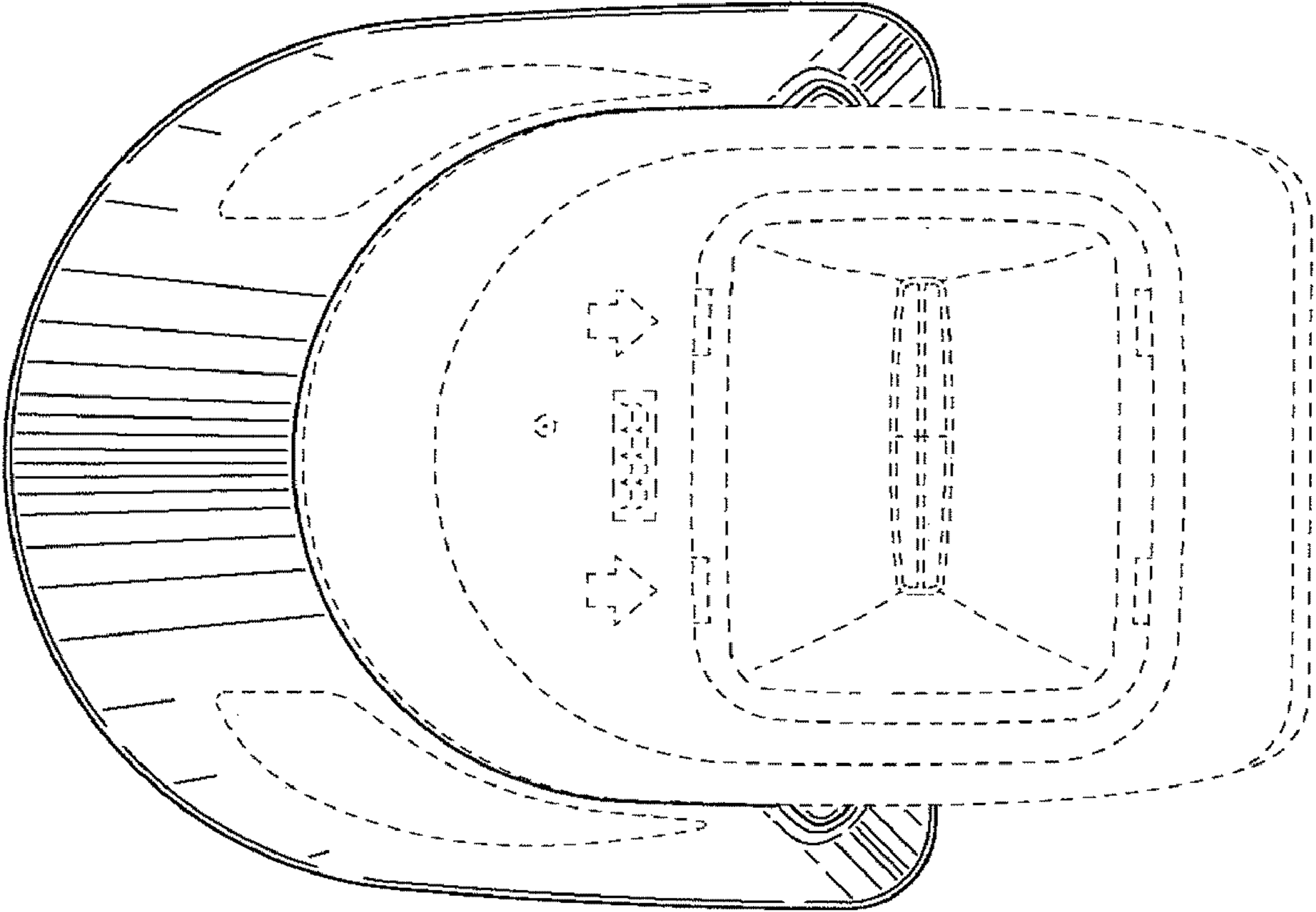


FIG. 6

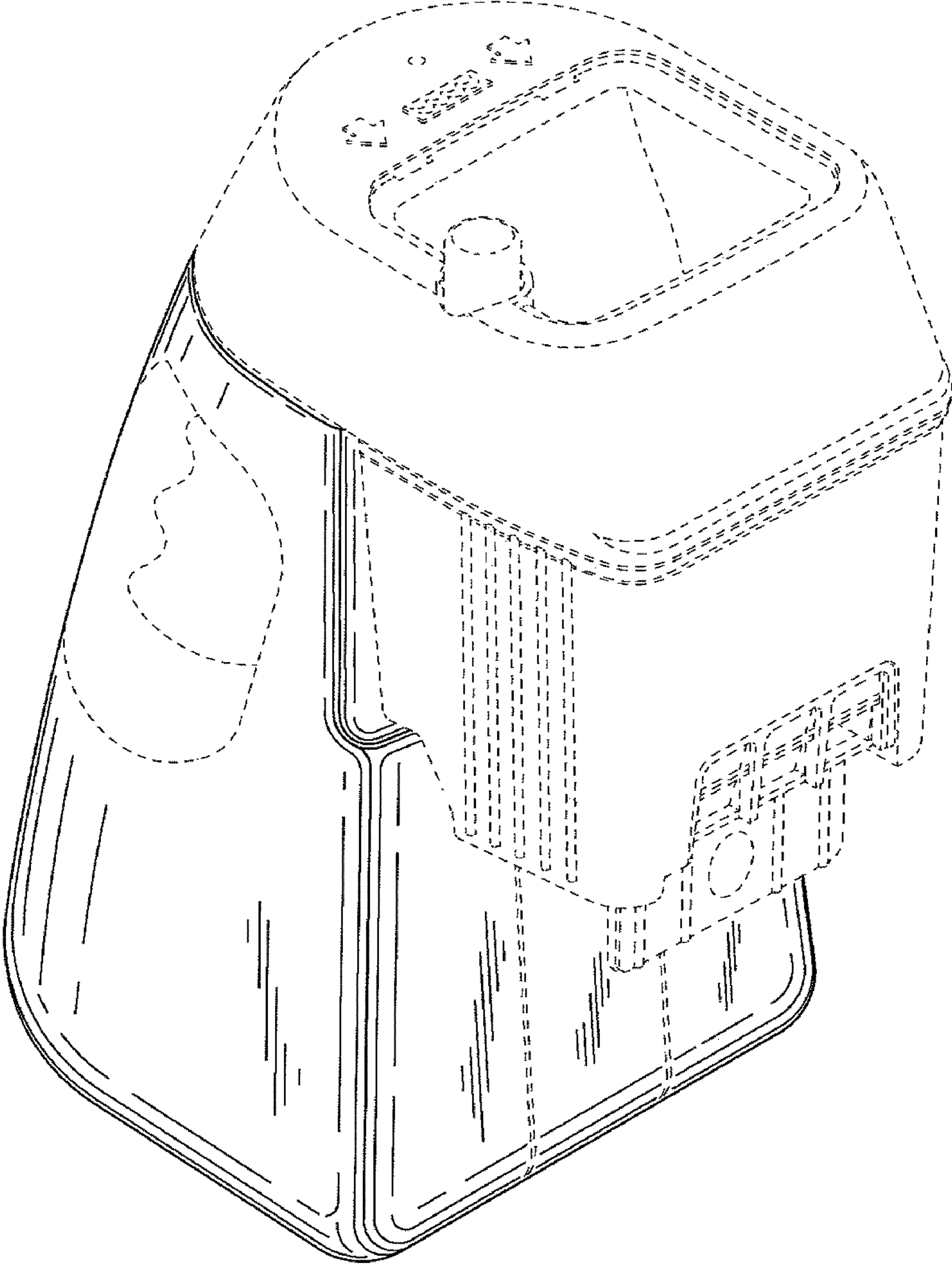


FIG. 7

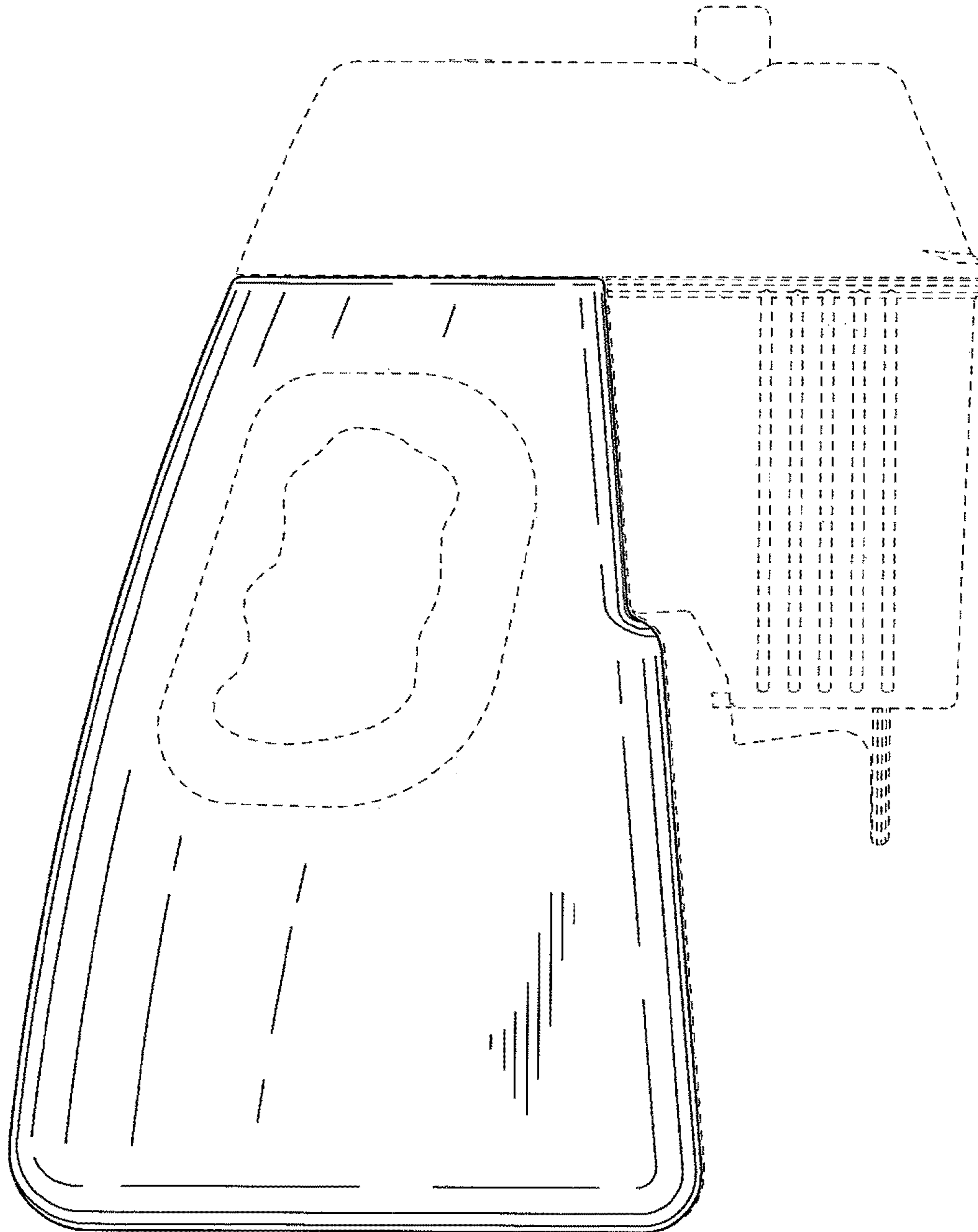


FIG. 8

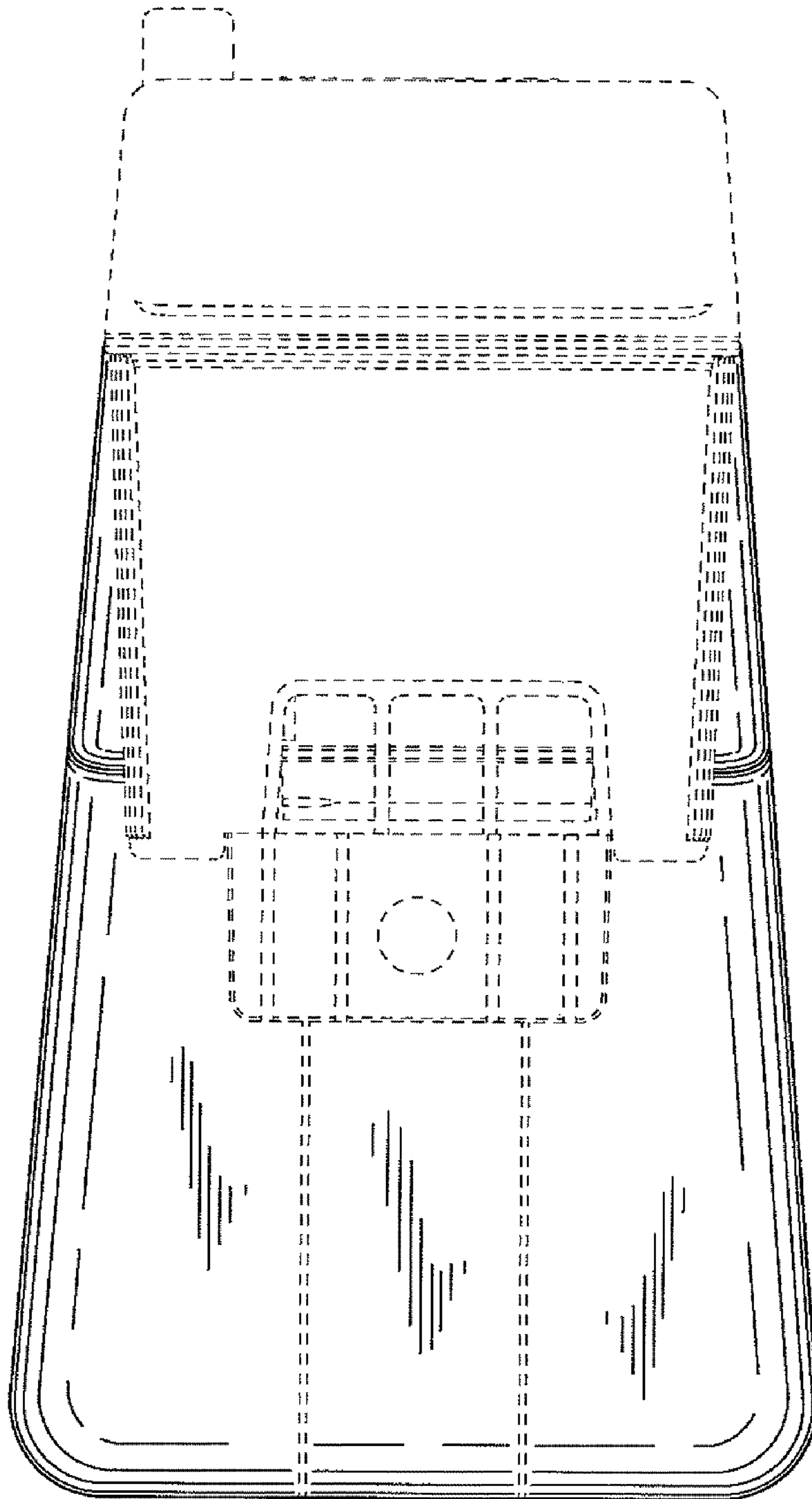


FIG. 9

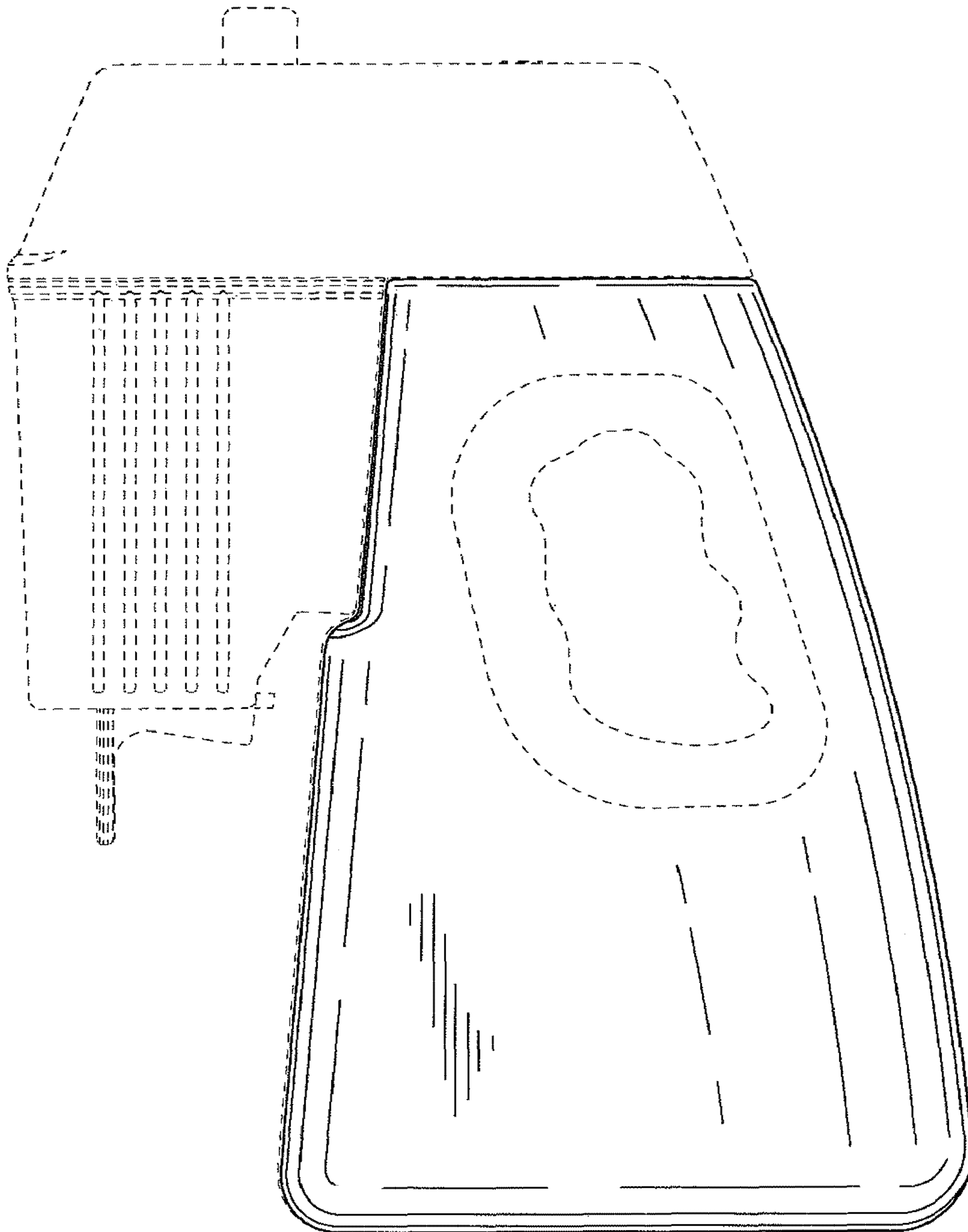


FIG. 10

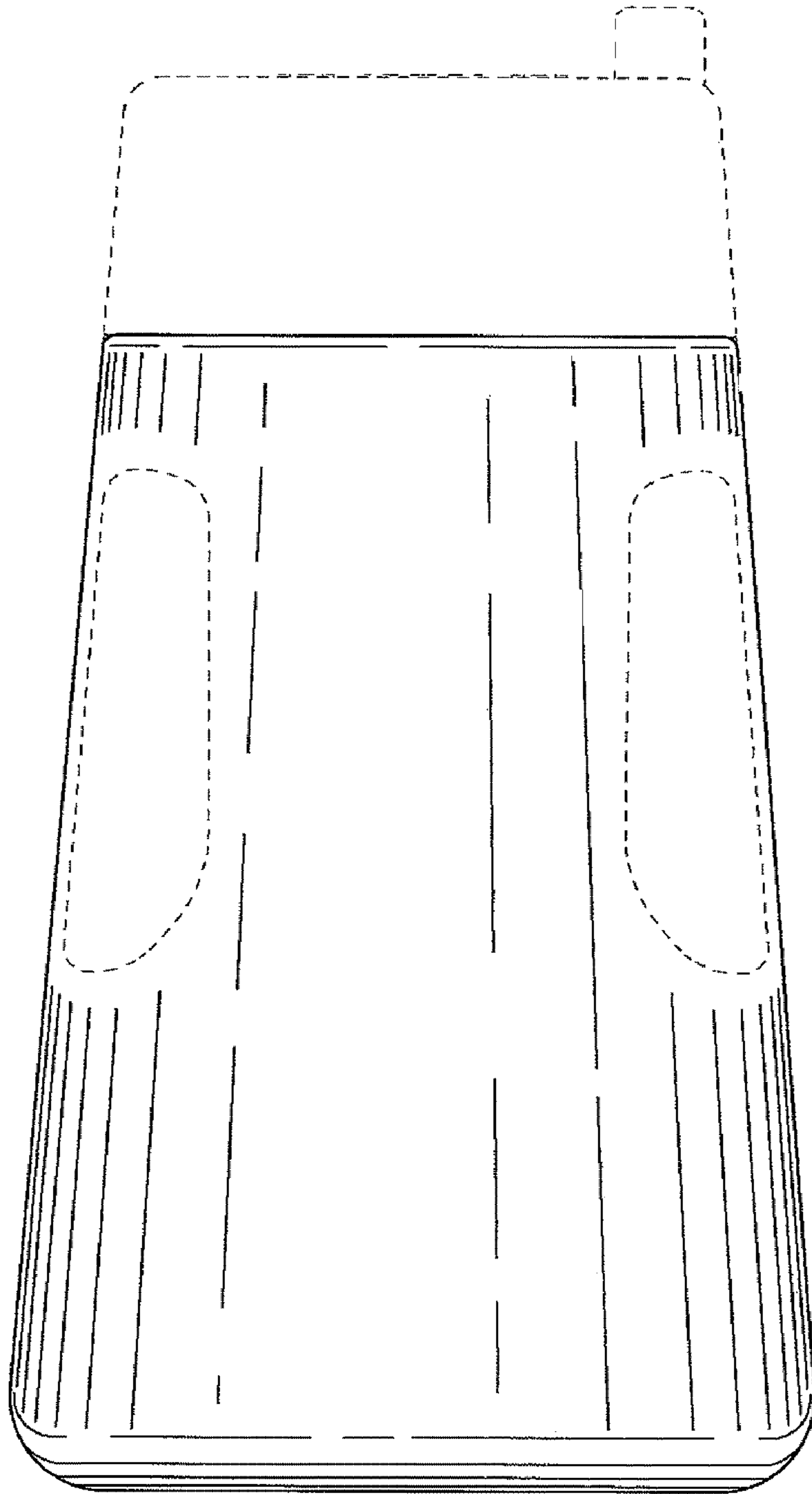


FIG. 11

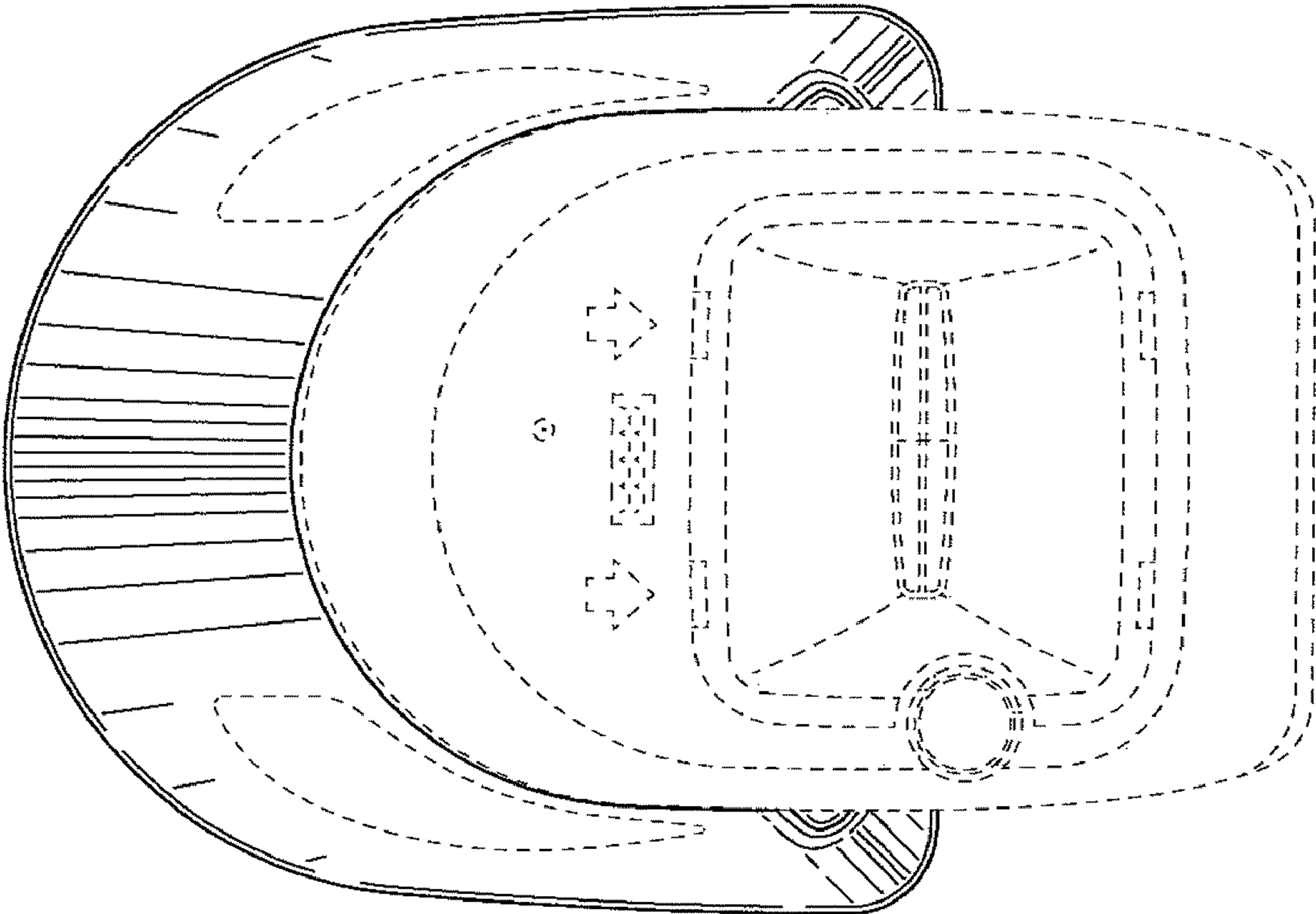


FIG. 12