



US00D654981S

(12) **United States Design Patent**
Häfner

(10) **Patent No.:** **US D654,981 S**

(45) **Date of Patent:** **** Feb. 28, 2012**

(54) **SPOOL**

(75) Inventor: **Jan Häfner**, Leopoldshöhe (DE)

(73) Assignee: **Häfner & Krullmann GmbH**,
Leopoldshöhe (DE)

(**) Term: **14 Years**

(21) Appl. No.: **29/394,646**

(22) Filed: **Jun. 20, 2011**

(30) **Foreign Application Priority Data**

Dec. 22, 2010 (DE) 40 2010 005 243.9

(51) **LOC (9) Cl.** **22-05**

(52) **U.S. Cl.** **D22/137**

(58) **Field of Classification Search** D22/137-138,
D22/140-141; 242/118.4, 118.41, 118.8,
242/125.2, 322, 396.5, 405.3, 580, 227, 229-231,
242/370, 570, 609.1, 614

See application file for complete search history.

(56) **References Cited**

U.S. PATENT DOCUMENTS

3,176,932 A * 4/1965 Kovaleski 242/118.8
4,602,751 A * 7/1986 Vogel 242/118.4
D308,716 S * 6/1990 Erickson D22/137

D312,294 S * 11/1990 Duskocil et al. D22/137
D331,093 S * 11/1992 Kelly, Sr. D22/137
D372,758 S * 8/1996 Kaneko et al. D22/137

OTHER PUBLICATIONS

Precision Spools, Wire Reels and DIN 200 & DIN 250 Reels, <http://www.precision-spools.com/wire-reels.html>, Feb. 4, 2011.

Mossberg Industries, Inc., Mossberg Industries Structural Foam Reels, http://www.mossbergind.com/sfr_new.html, Feb. 4, 2011.

* cited by examiner

Primary Examiner — Catheri Oliver

(74) *Attorney, Agent, or Firm* — Richard M. Goldberg

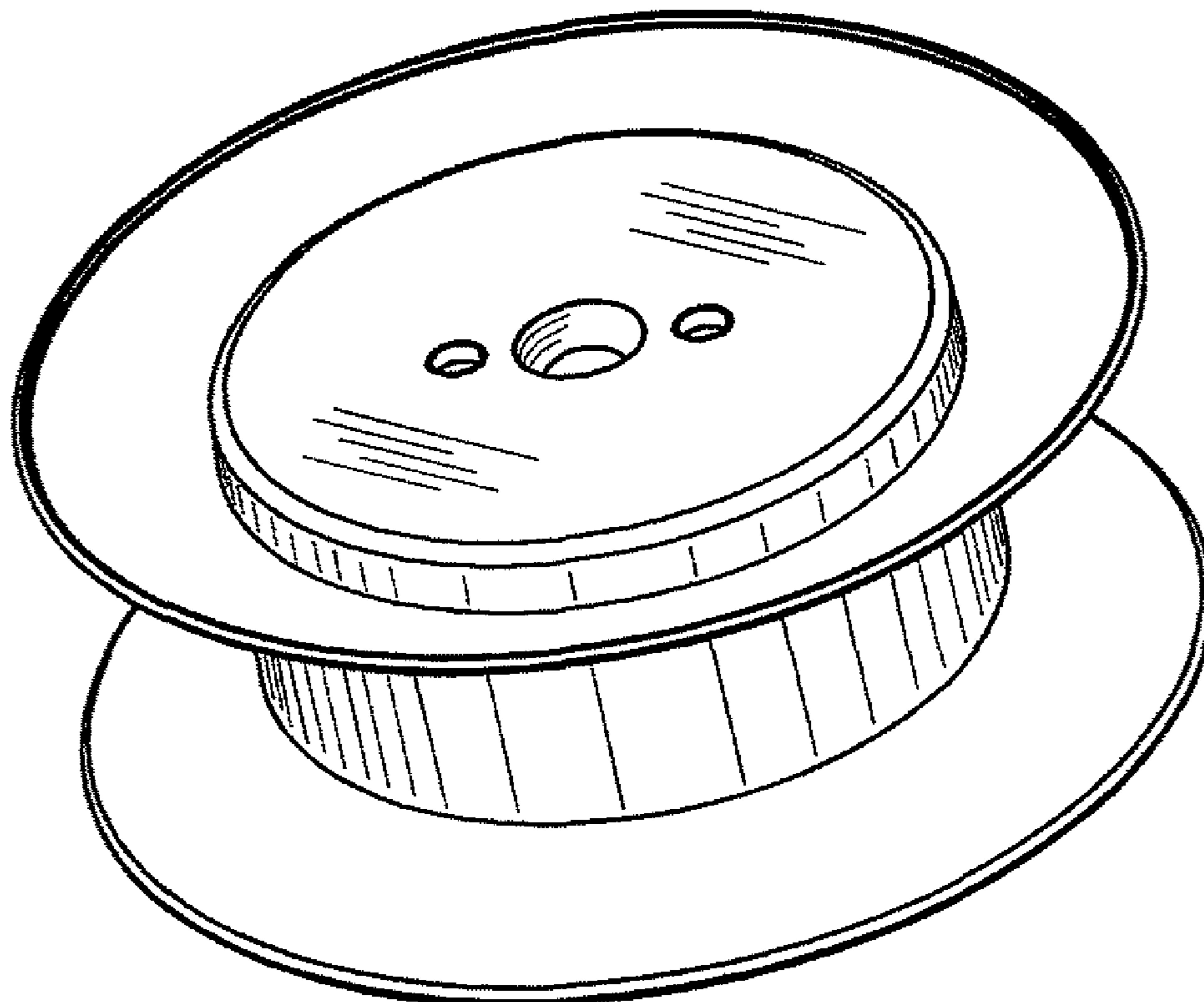
(57) **CLAIM**

The ornamental design for a spool, as shown and described.

DESCRIPTION

FIG. 1 is a perspective view of the spool of my design;
FIG. 2 is a front elevational view thereof, with the rear elevational view, left side elevational view and right side elevational view being the same;
FIG. 3 is an enlarged elevational view of a circled portion of the spool of FIG. 2; and,
FIG. 4 is a top plan view thereof, with the bottom plan view being the same.

1 Claim, 1 Drawing Sheet



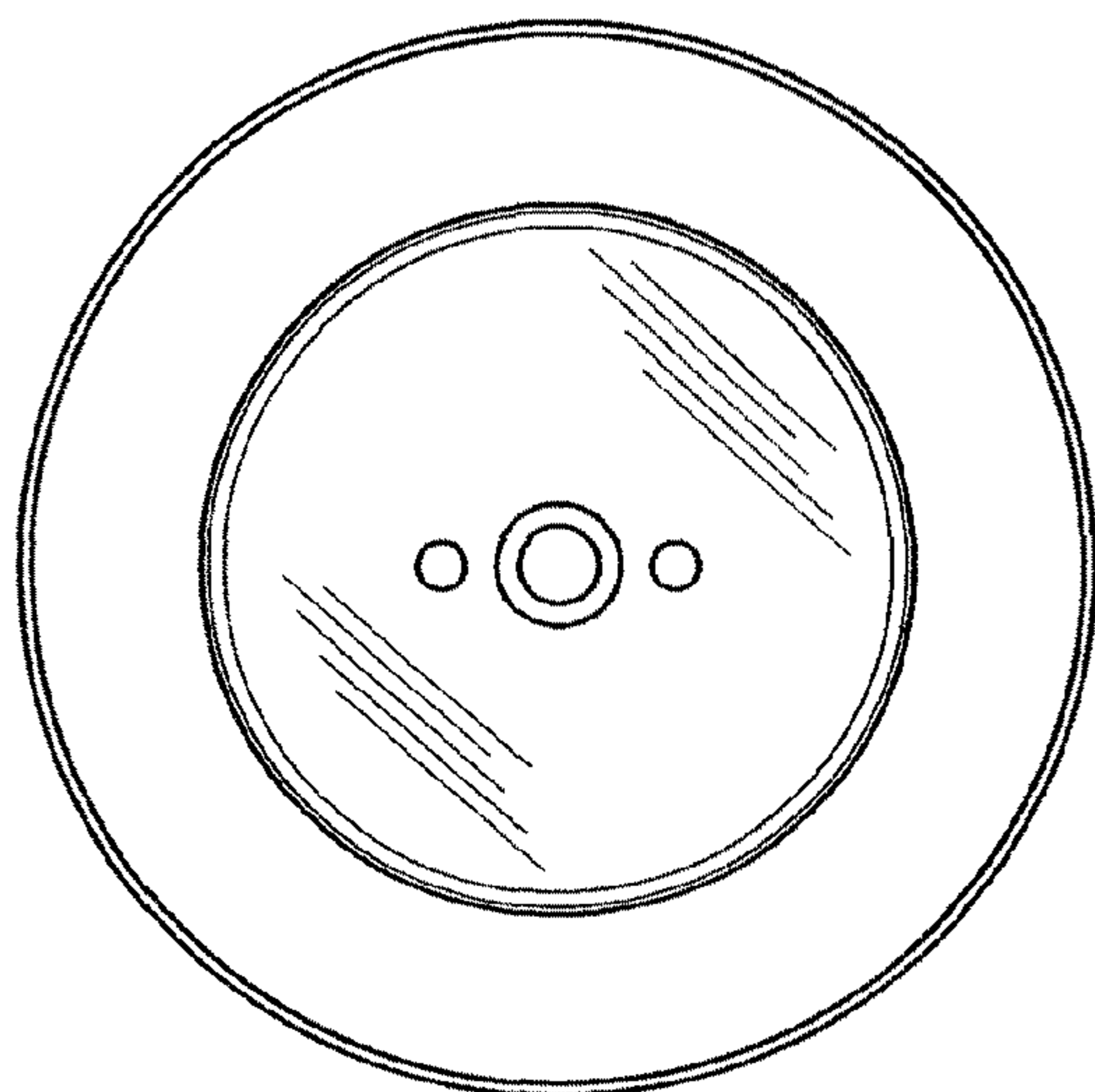


FIG. 4

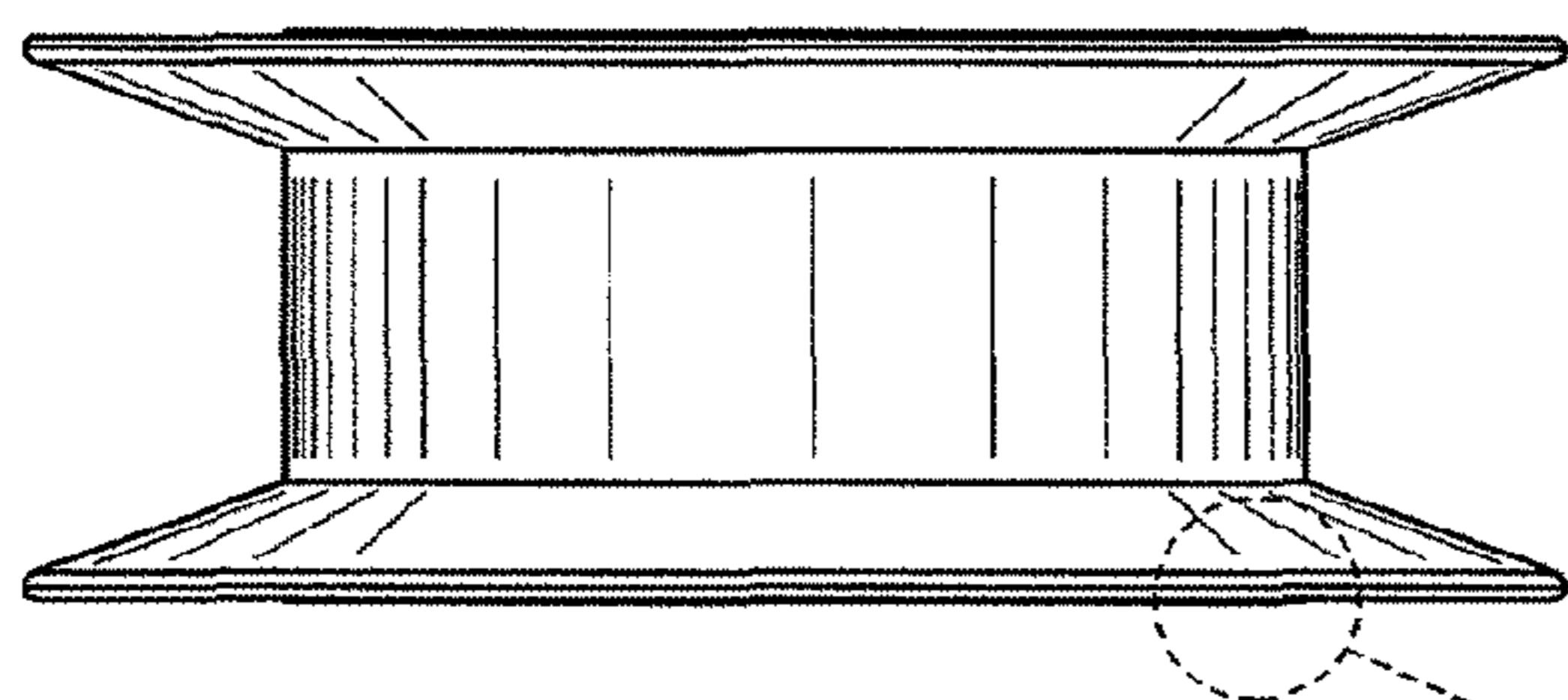


FIG. 2

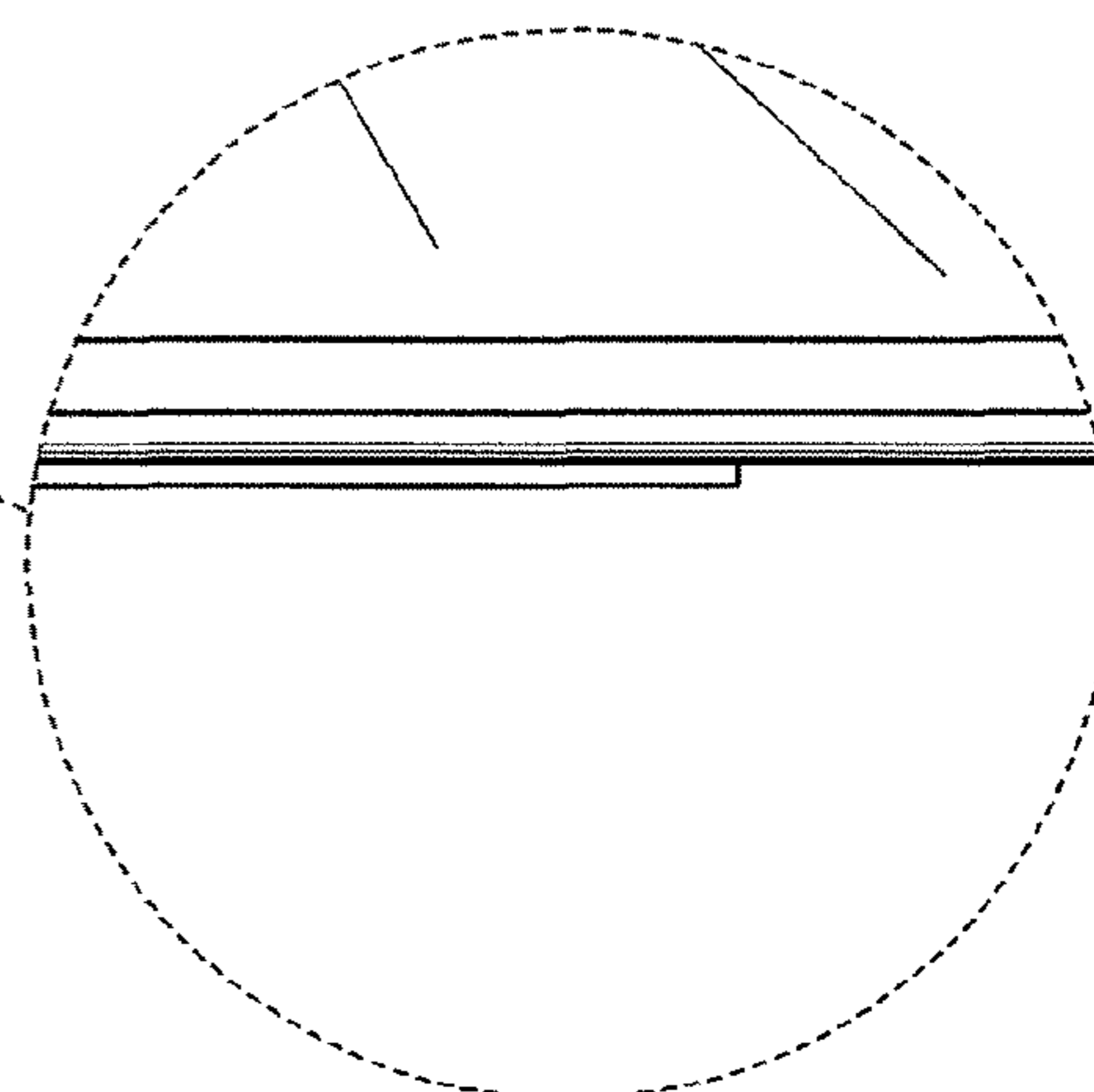


FIG. 3

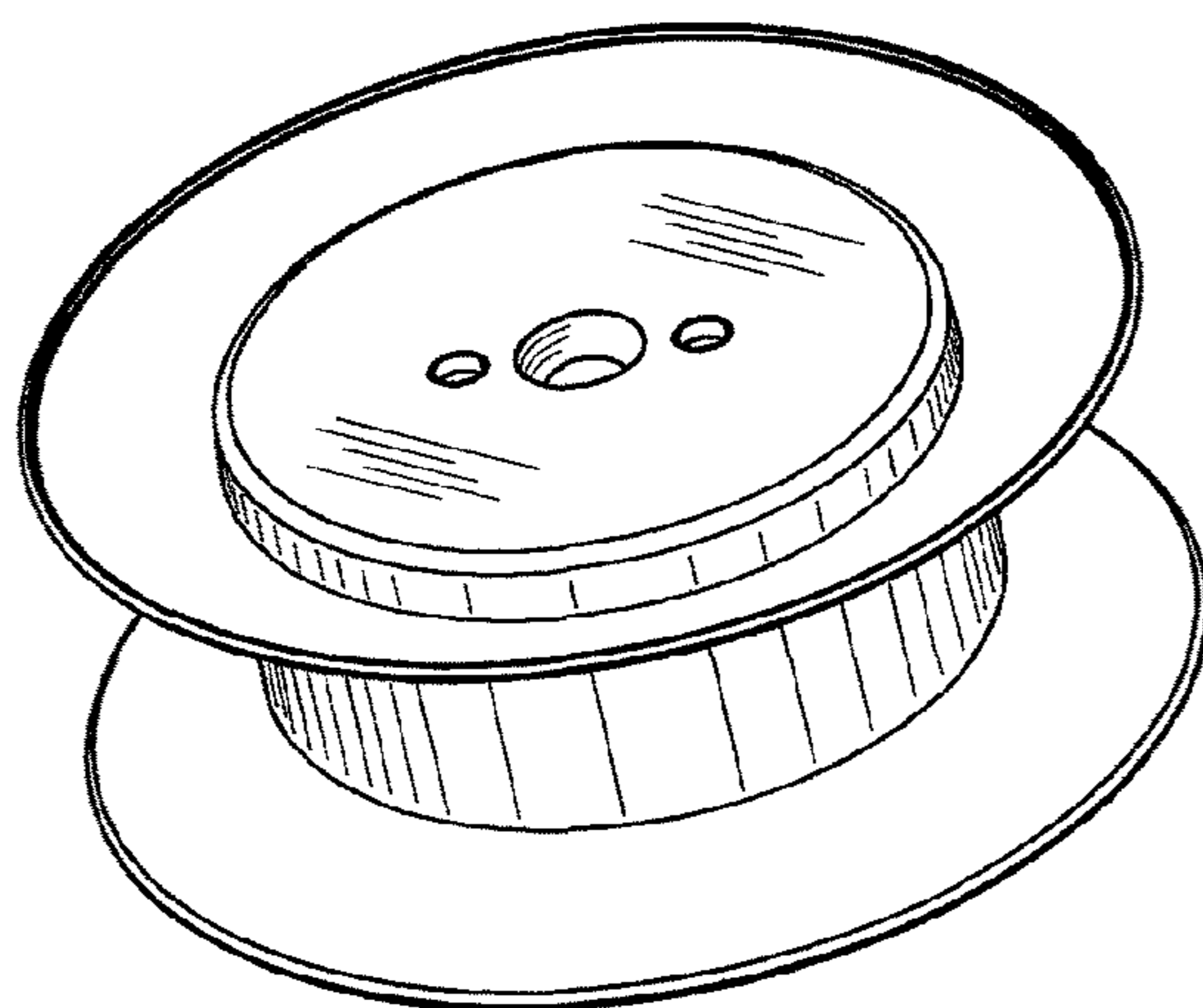


FIG. 1