



US00D654977S

(12) **United States Design Patent**
Conable

(10) **Patent No.:** **US D654,977 S**

(45) **Date of Patent:** **** Feb. 28, 2012**

(54) **COMBINED GOLF TOOL AND HOLDER**

DESCRIPTION

(76) Inventor: **Matthew Conable**, McMinnville, OR
(US)

(**) Term: **14 Years**

(21) Appl. No.: **29/389,539**

(22) Filed: **Apr. 13, 2011**

(51) **LOC (9) Cl.** **21-02**

(52) **U.S. Cl.** **D21/793**

(58) **Field of Classification Search** D21/789,
D21/793-794; 473/286, 408

See application file for complete search history.

(56) **References Cited**

U.S. PATENT DOCUMENTS

D431,625 S *	10/2000	Gribovsky	D21/793
D463,522 S *	9/2002	Goessling, Jr.	D21/793
D470,556 S *	2/2003	Guerette et al.	D21/793
D514,647 S *	2/2006	Mora et al.	D21/796
D580,002 S *	11/2008	Littmann	D21/793
D594,922 S *	6/2009	McLane	D21/793
7,766,769 B2 *	8/2010	Lueders	473/408
D637,677 S *	5/2011	Bradshaw	D21/793
D643,494 S *	8/2011	Book	D21/793

* cited by examiner

Primary Examiner — Mitchell Siegel

(74) *Attorney, Agent, or Firm* — Dwayne E. Rogge; Hughes
Law Firm, PLLC

(57) **CLAIM**

The ornamental design for a combined golf tool and holder, as
shown and described.

FIG. 1 is a front view of the combined golf tool and holder.
FIG. 2 is a left side view of the combined golf tool and holder.
FIG. 3 is a rear view of the combined golf tool and holder.
FIG. 4 is a right side view of the combined golf tool and
holder.

FIG. 5 is a top view of the combined golf tool and holder.
FIG. 6 is a bottom view of the combined golf tool and holder.
FIG. 7 is a front view of the holder shown separately for
clarity of illustration.

FIG. 8 is a left side view of the holder shown separately for
clarity of illustration.

FIG. 9 is a rear view of the holder shown separately for clarity
of illustration.

FIG. 10 is a right side view of the holder shown separately for
clarity of illustration.

FIG. 11 is a top view of the holder shown separately for clarity
of illustration.

FIG. 12 is a bottom view of the holder shown separately for
clarity of illustration.

FIG. 13 is a front view of the golf tool shown separately for
clarity of illustration.

FIG. 14 is a left side view of the golf tool shown separately for
clarity of illustration.

FIG. 15 is a rear view of the golf tool shown separately for
clarity of illustration.

FIG. 16 is a right side view of the golf tool shown separately
for clarity of illustration.

FIG. 17 is a top view of the golf tool shown separately for
clarity of illustration; and,

FIG. 18 is a bottom view of the golf tool shown separately for
clarity of illustration.

The broken line showing is included for the purpose of illus-
trating and forms no part of the claimed design.

1 Claim, 5 Drawing Sheets

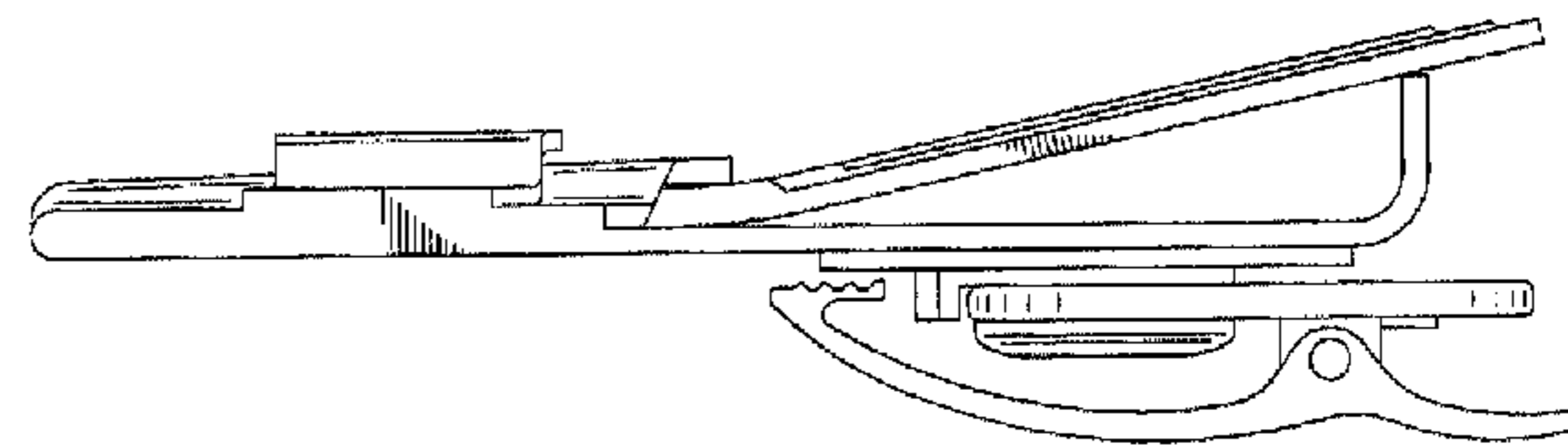
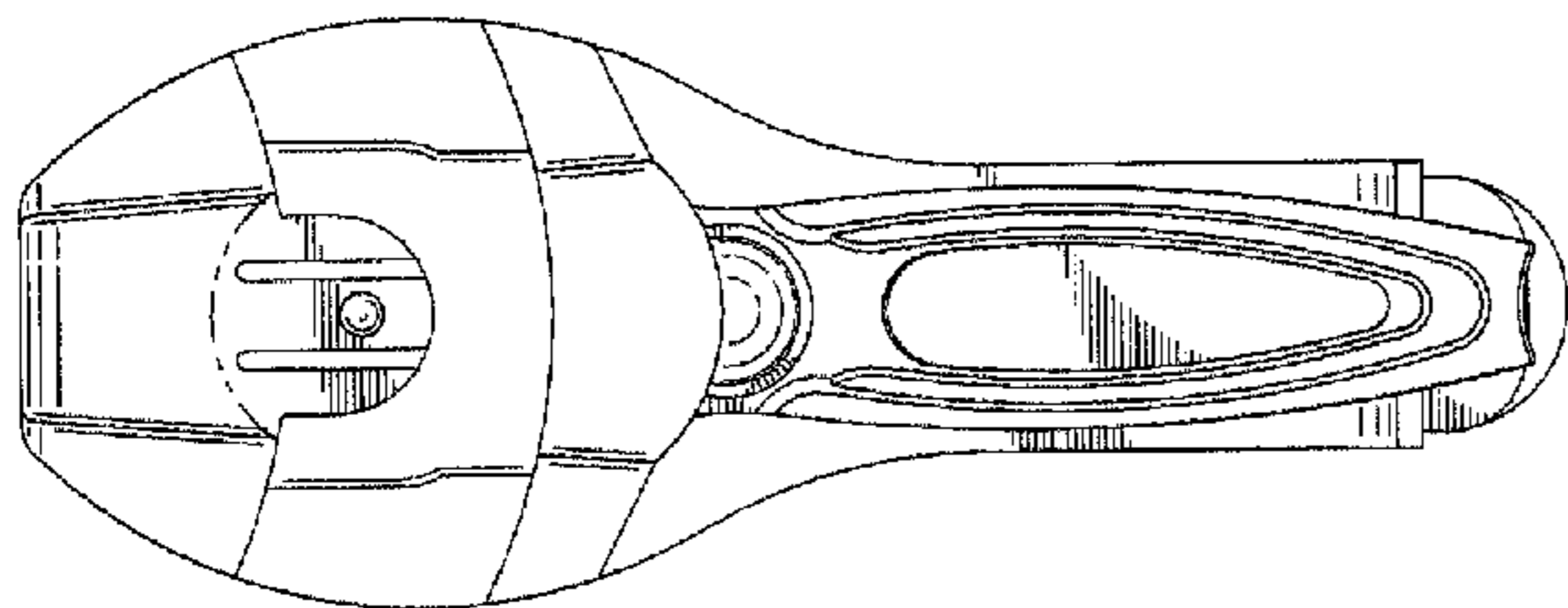


FIG. 1

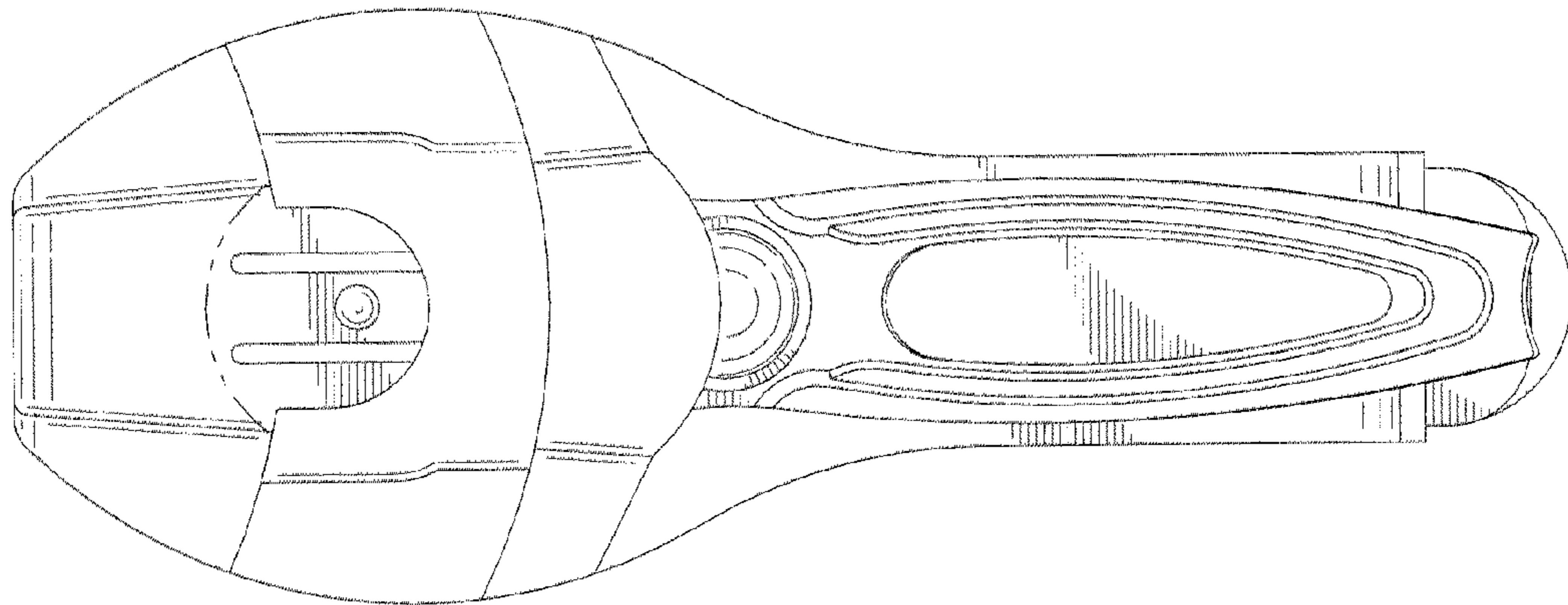


FIG. 2

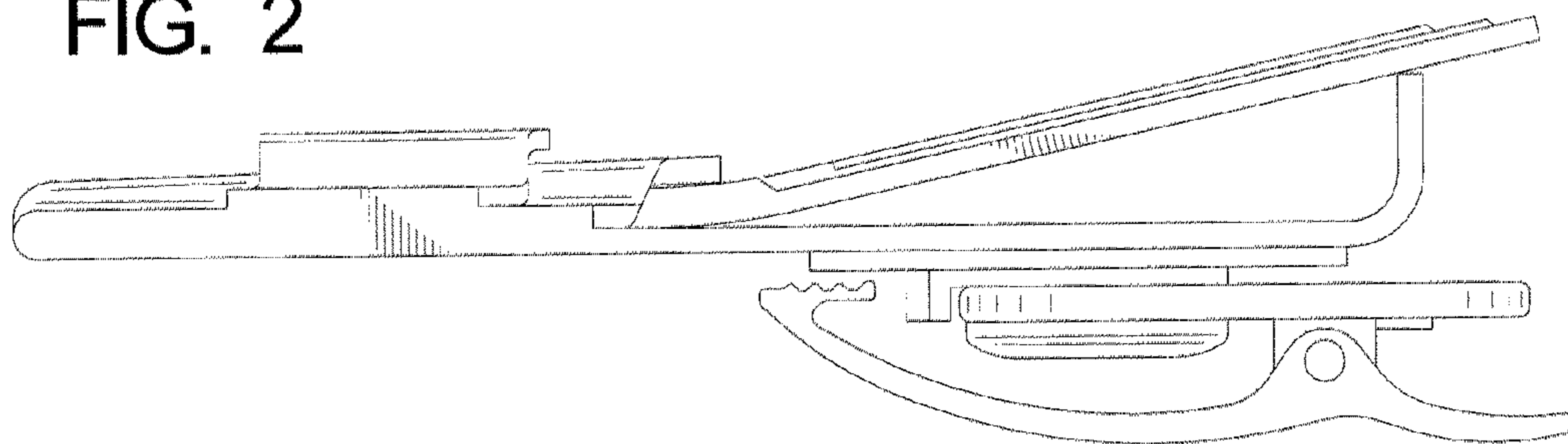


FIG. 3

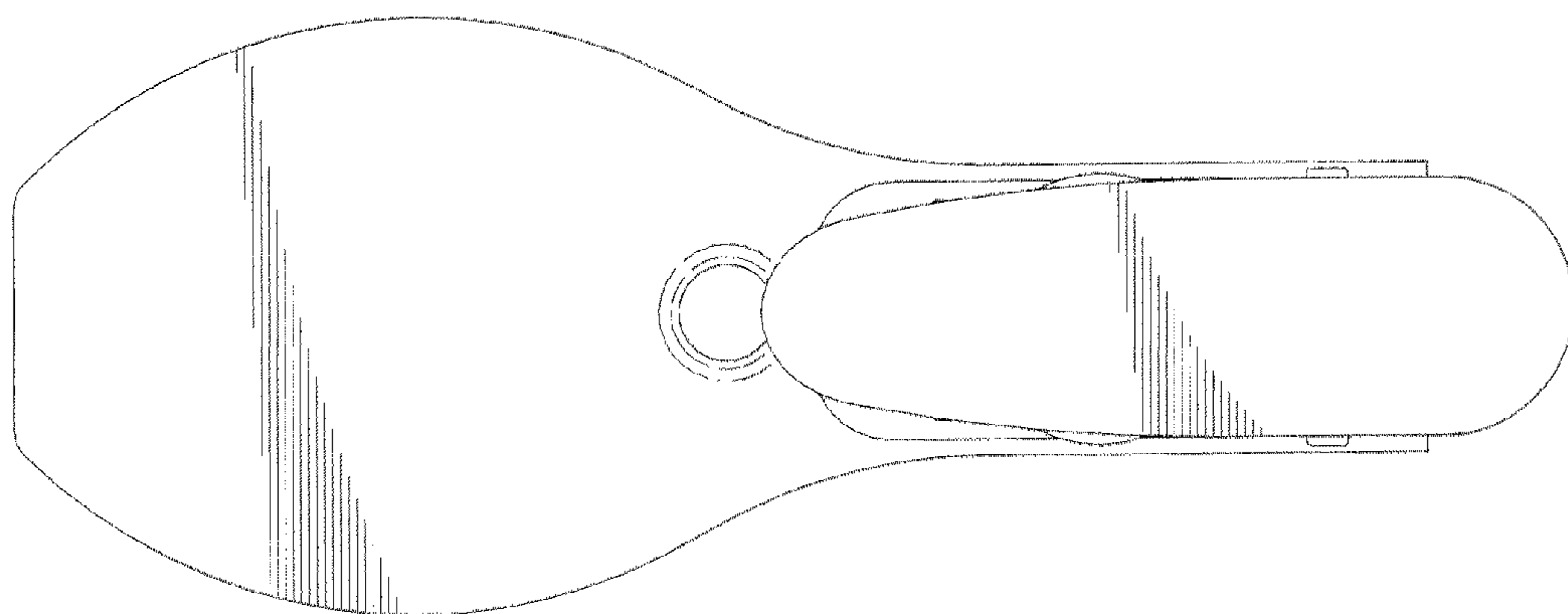


FIG. 4

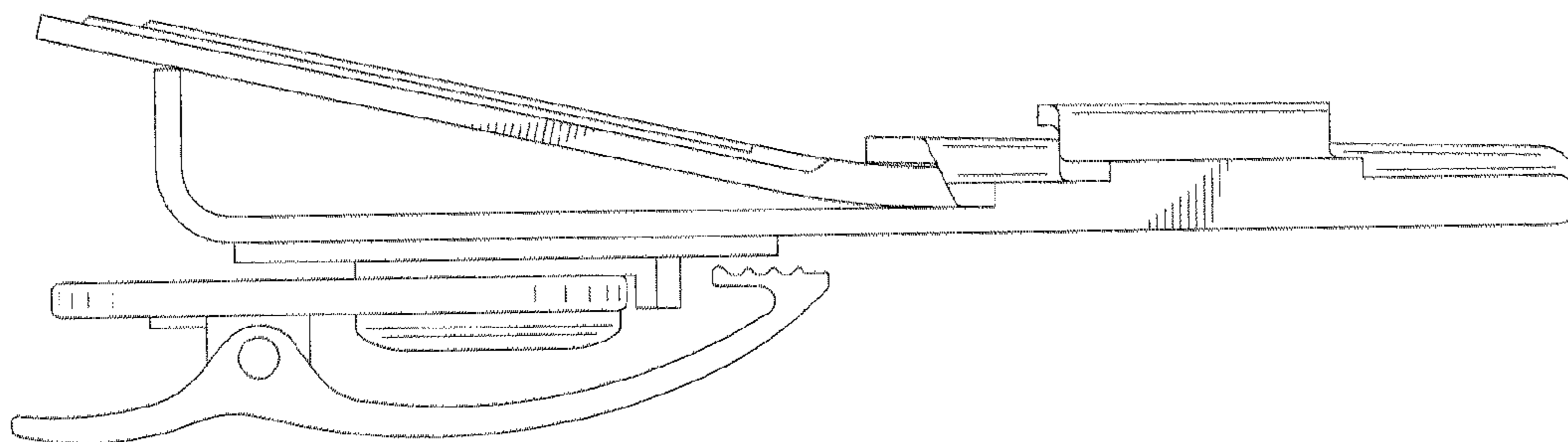


FIG. 5

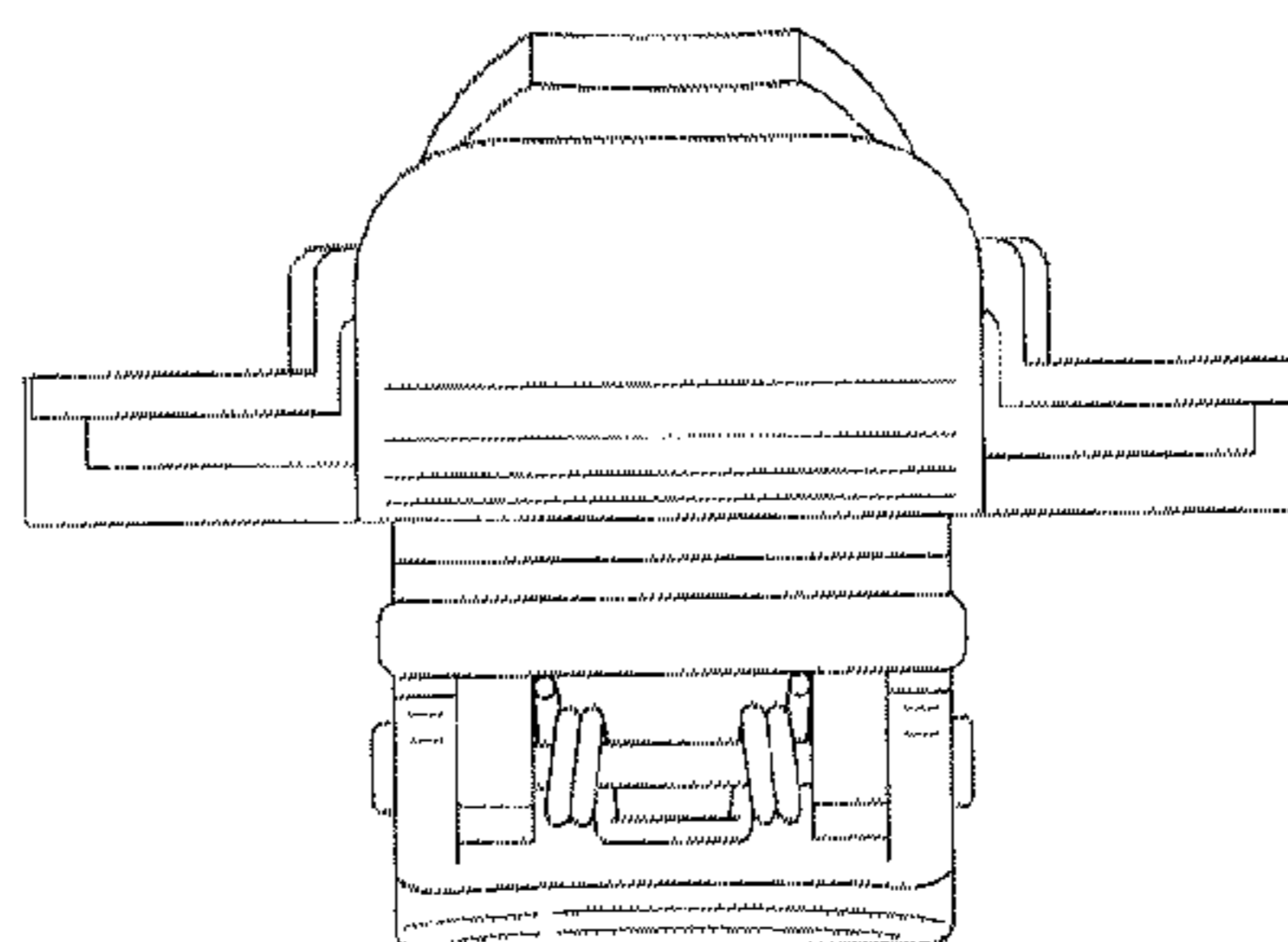


FIG. 6

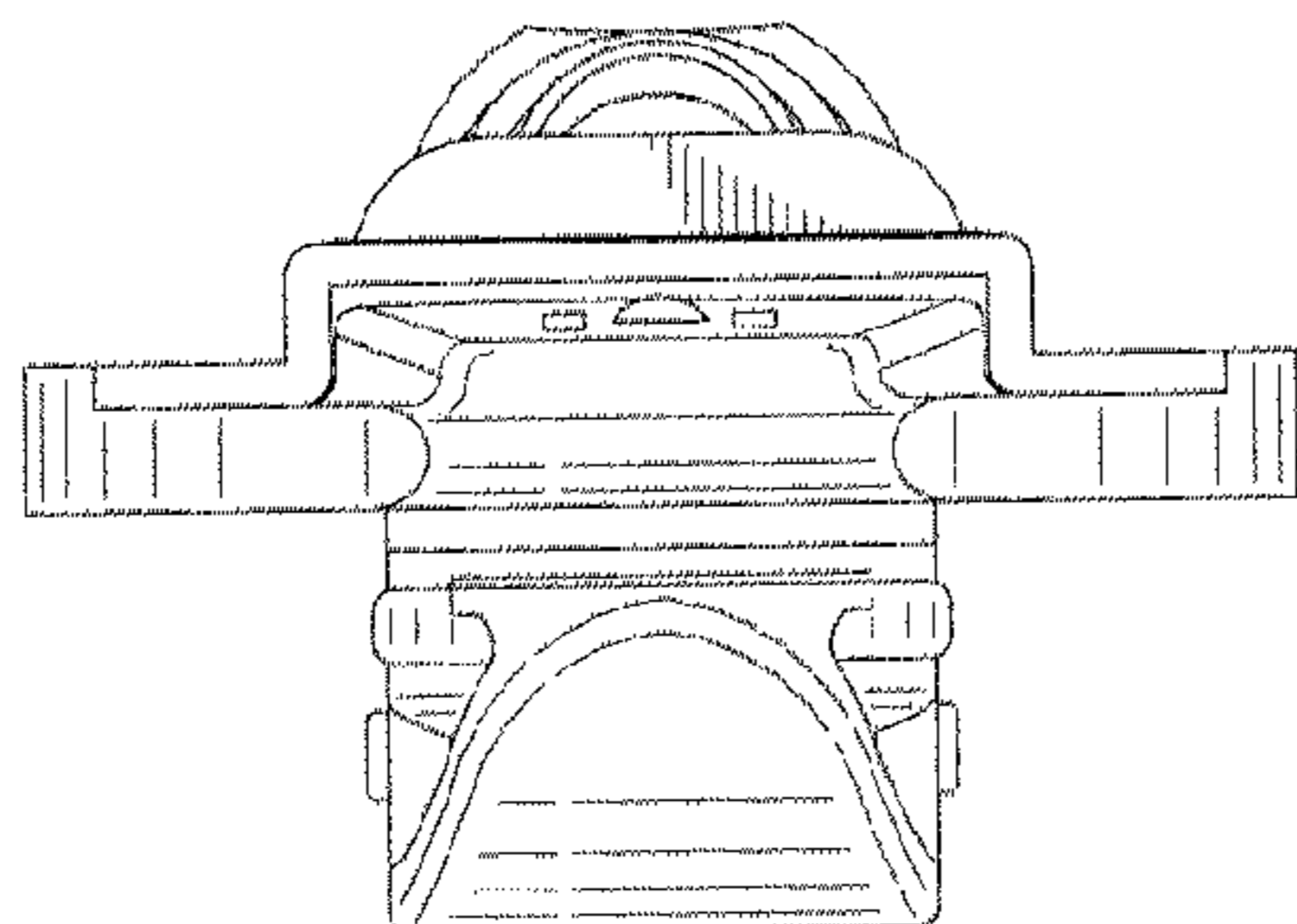


FIG. 7

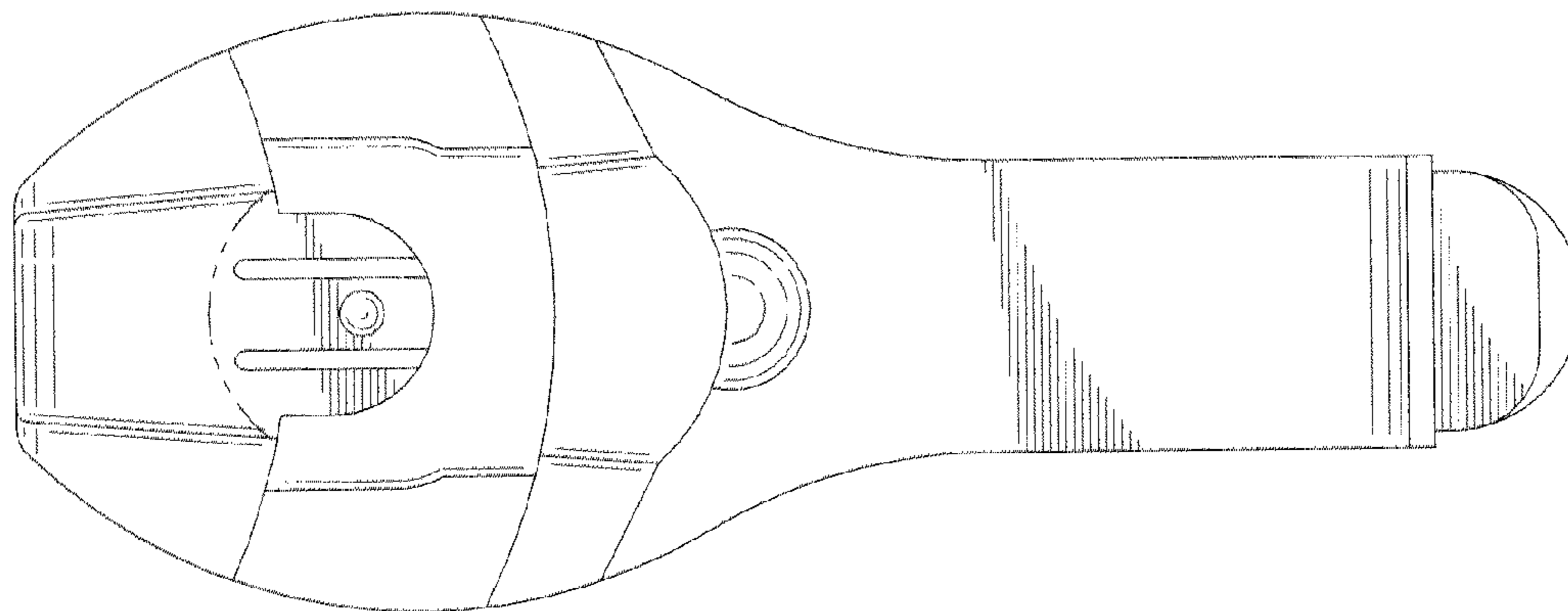


FIG. 8

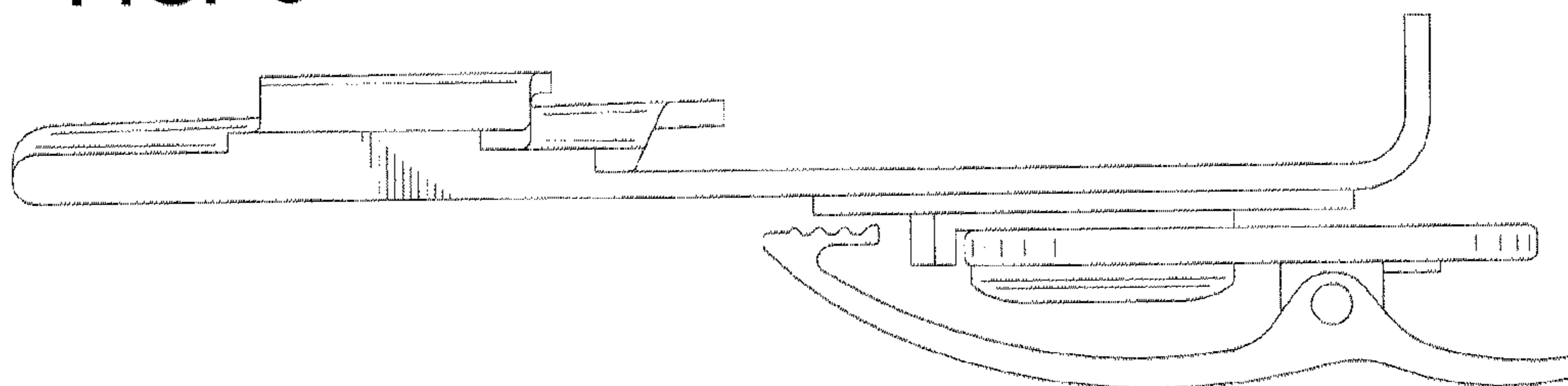


FIG. 9

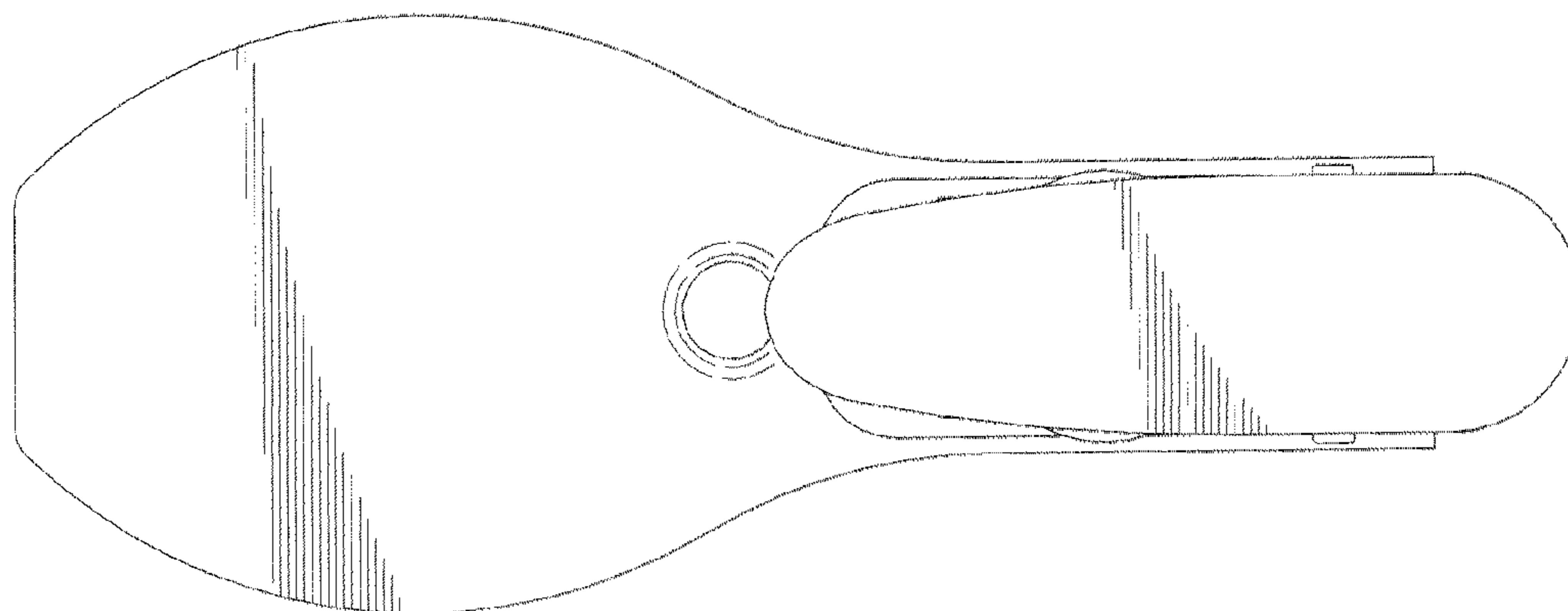


FIG. 10

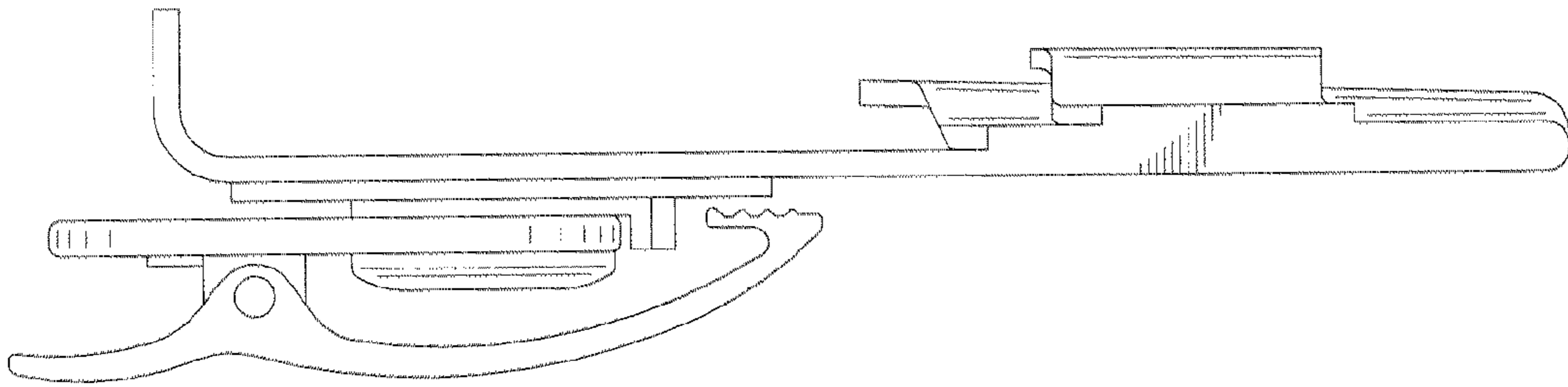


FIG. 11

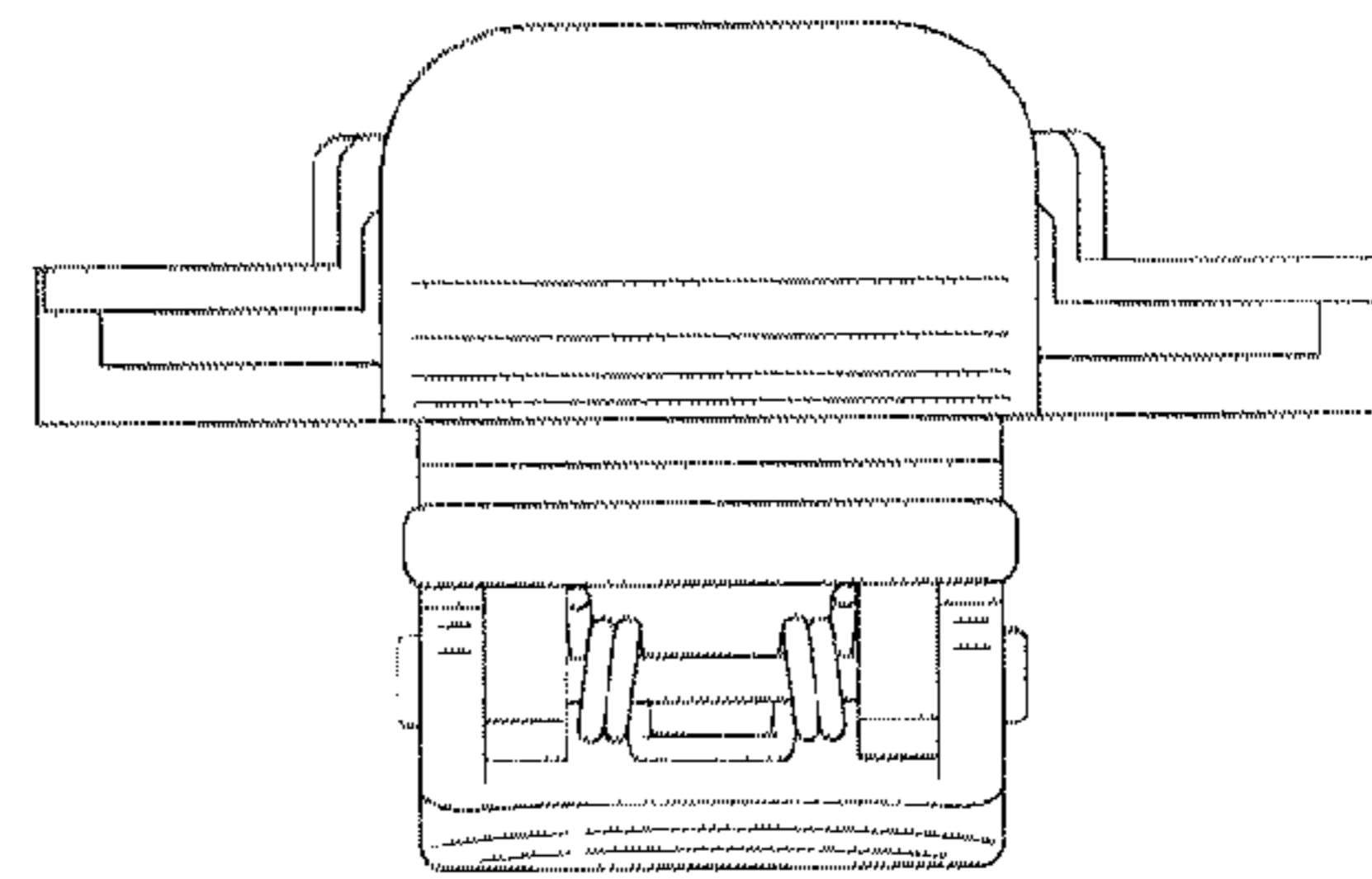


FIG. 12

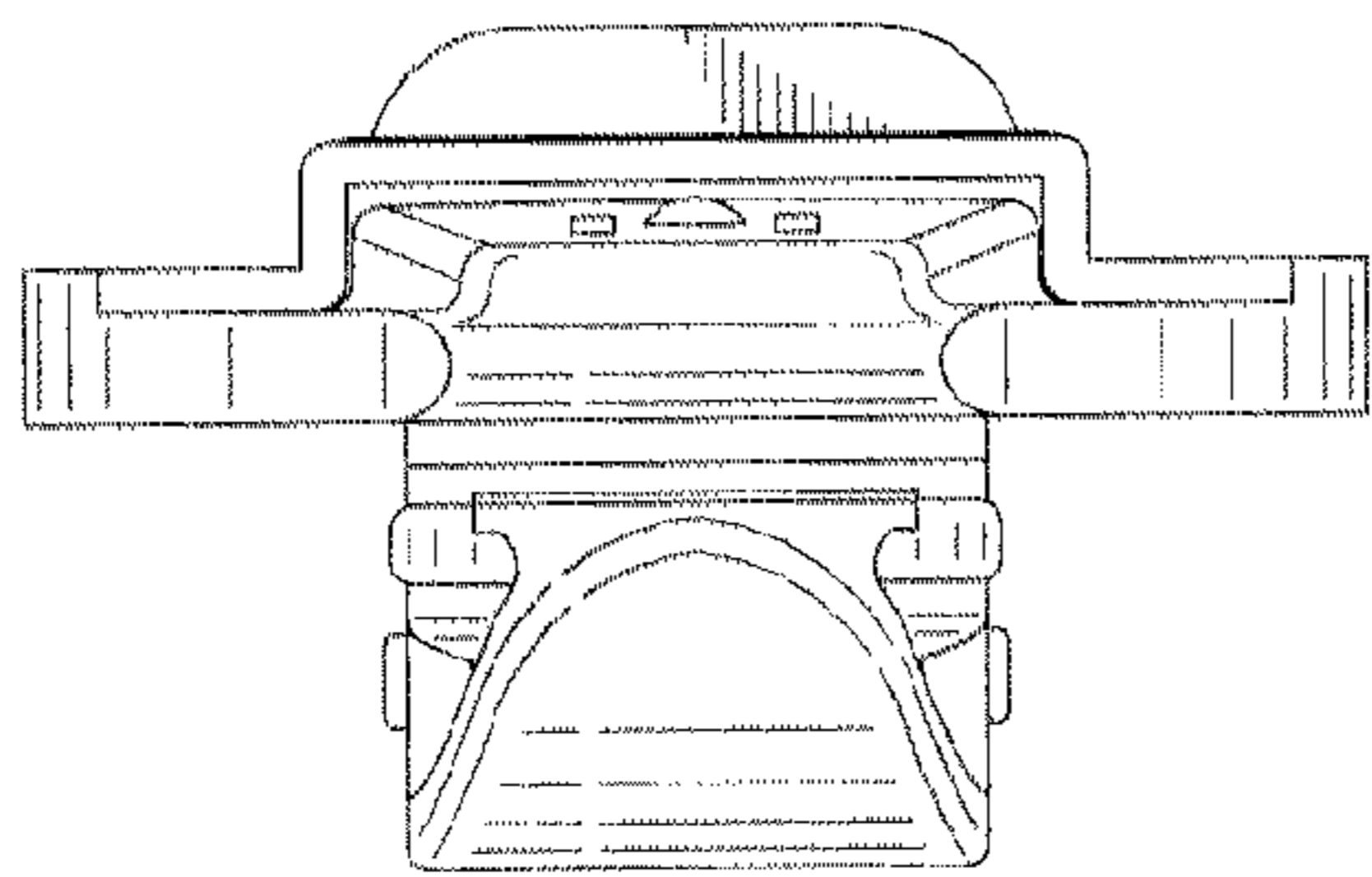


FIG. 13

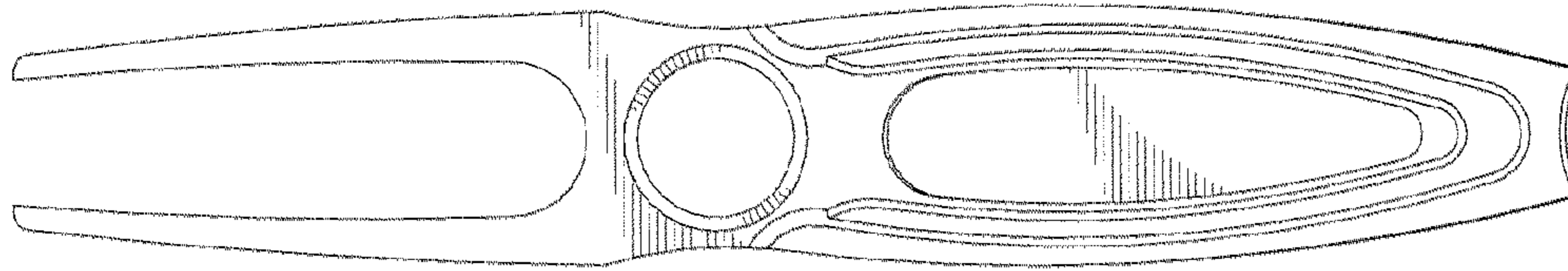


FIG. 14



FIG. 15

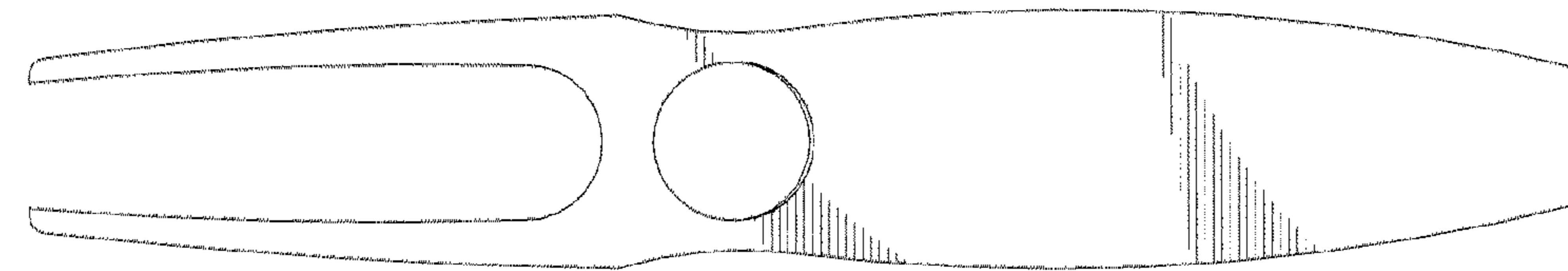


FIG. 16

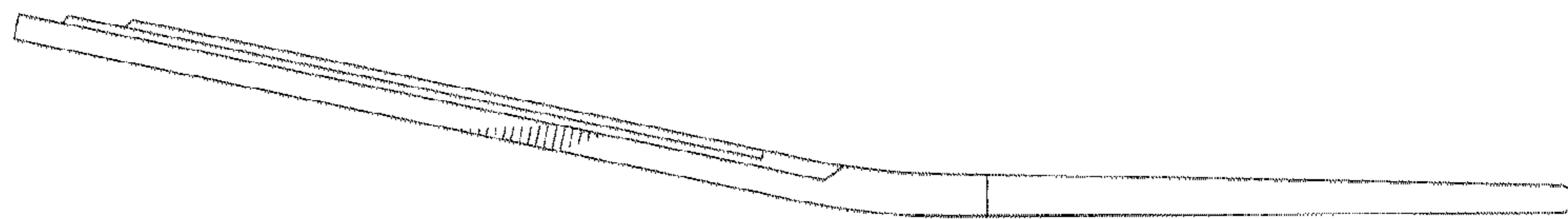


FIG. 17

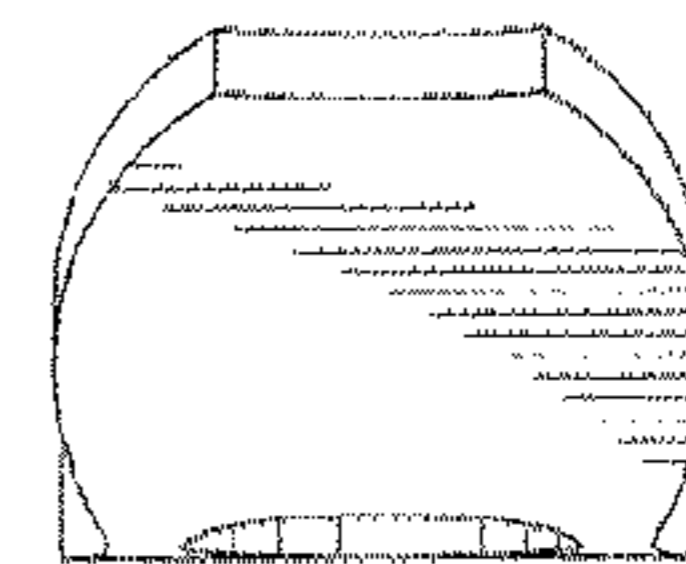


FIG. 18

