



US00D654975S

(12) **United States Design Patent**
Carrillo Lostao

(10) **Patent No.:** **US D654,975 S**
(45) **Date of Patent:** **** Feb. 28, 2012**

(54) **ROLLER SKATE**

(76) **Inventor:** **Luis Carrillo Lostao**, Cornella de Llobregat (ES)

(**) **Term:** **14 Years**

(21) **Appl. No.:** **29/385,819**

(22) **Filed:** **Feb. 21, 2011**

(30) **Foreign Application Priority Data**

Sep. 8, 2010 (EM) 001751934-0001

(51) **LOC (9) Cl.** **21-02**

(52) **U.S. Cl.** **D21/763**

(58) **Field of Classification Search** D21/760,
D21/763-765, 771; D2/902, 904; 280/7.14,
280/11.115, 11.19, 11.2, 11.22, 11.23, 11.27,
280/11.28, 14.21, 87.01, 87.021, 87.03, 87.041,
280/87.042, 809
See application file for complete search history.

(56) **References Cited**

U.S. PATENT DOCUMENTS

D233,537 S * 11/1974 Horner D21/763
D240,952 S * 8/1976 Rocha D21/763

D265,495 S * 7/1982 Dominy et al. D21/763
D302,838 S * 8/1989 Wendt D21/763
D314,414 S * 2/1991 Wendt D21/763
6,719,304 B2 * 4/2004 Miller et al. 280/11.27
2002/0105153 A1 * 8/2002 Miller et al. 280/11.231
2004/0232633 A1 * 11/2004 Chaput et al. 280/11.28

* cited by examiner

Primary Examiner — Cynthia M Chin

(74) *Attorney, Agent, or Firm* — Sturm & Fix LLP

(57) **CLAIM**

The ornamental design for a roller skate, as shown and described.

DESCRIPTION

FIG. 1 is a front elevational view of the roller skate showing my new design;

FIG. 2 is a rear view of the roller skate;

FIG. 3 is a right side view of the roller skate;

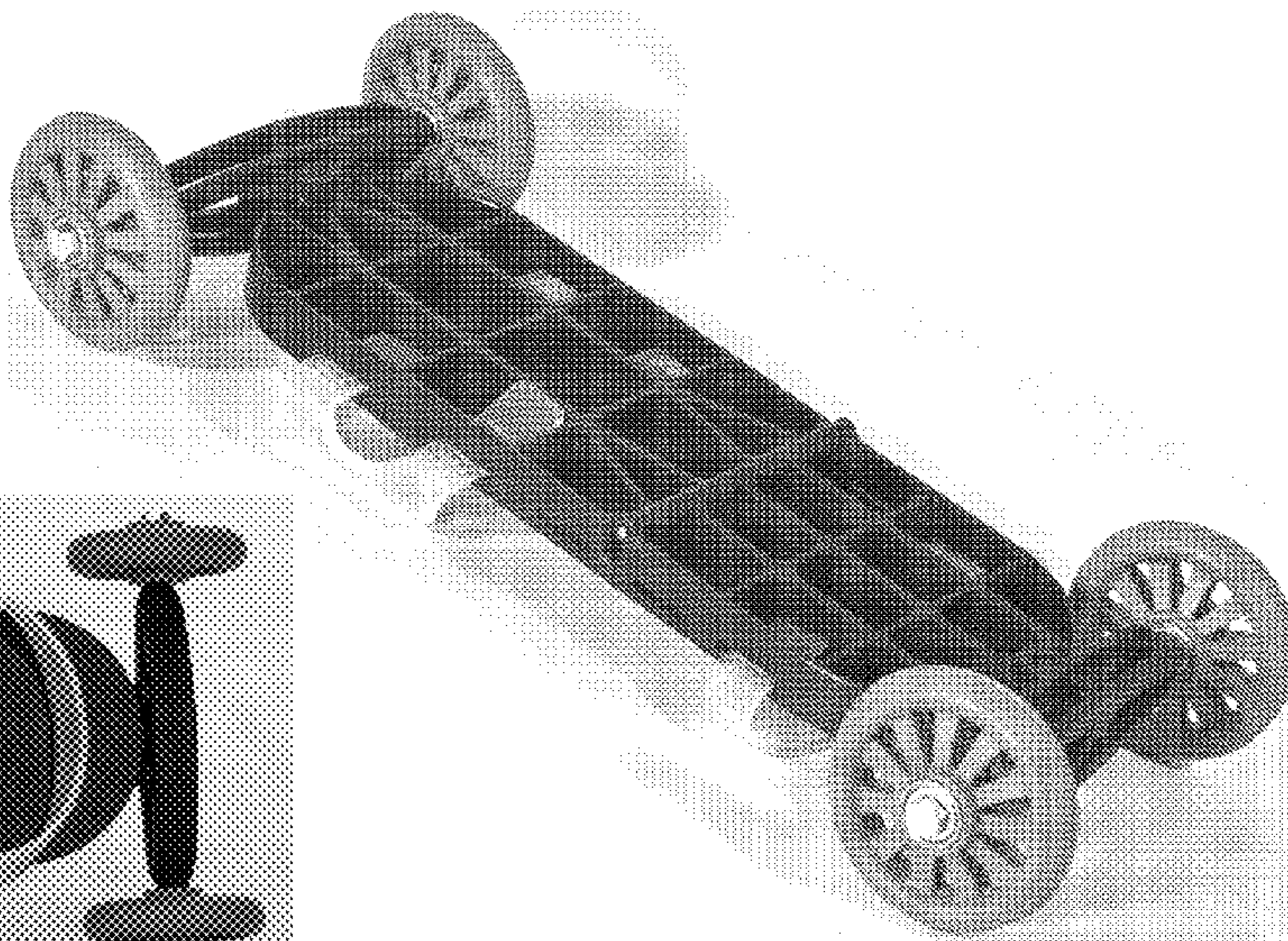
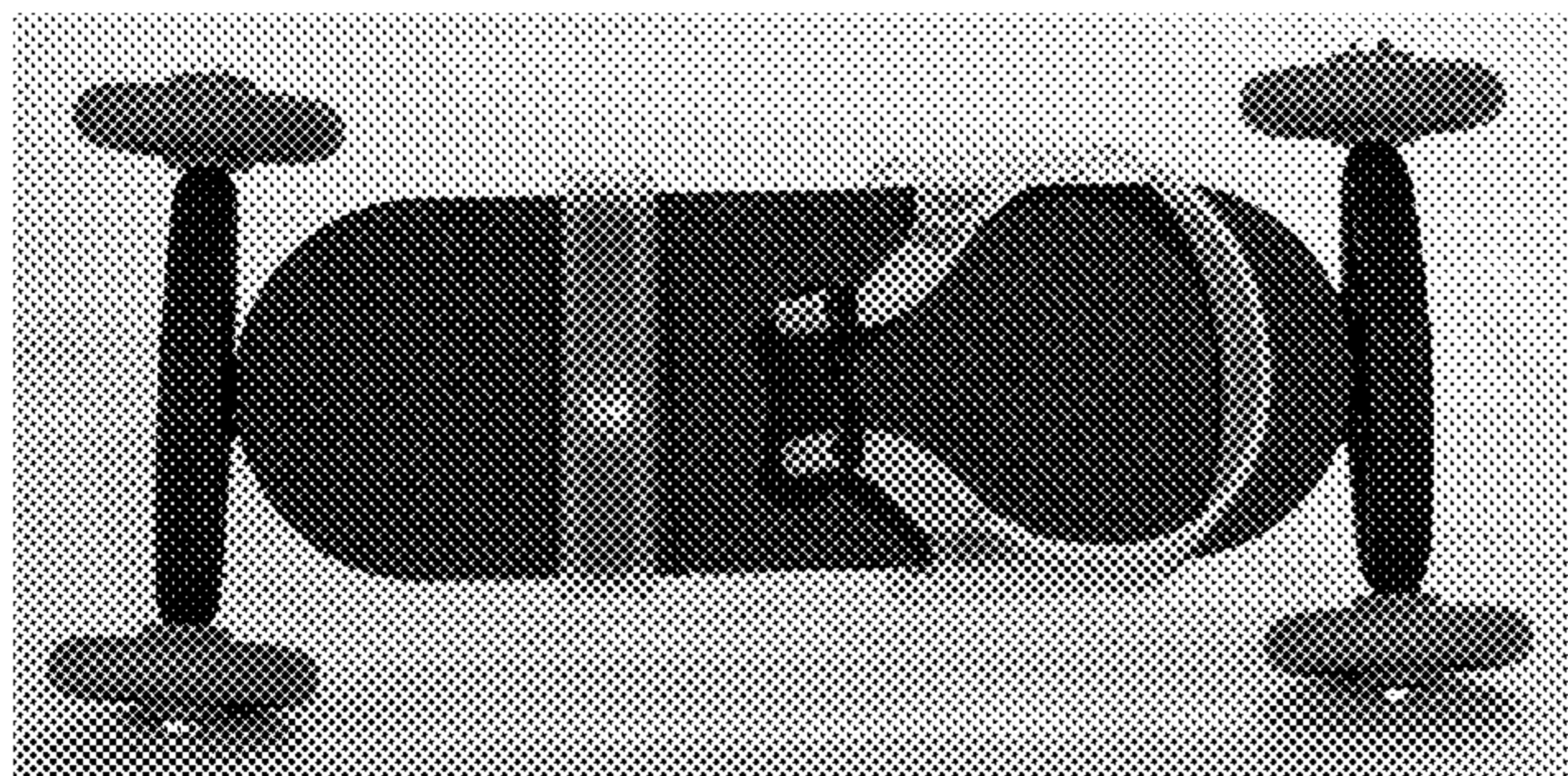
FIG. 4 is a left side view of the roller skate;

FIG. 5 is a top view of the roller skate;

FIG. 6 is a bottom view of the roller skate; and,

FIG. 7 is a bottom perspective view of the rocker skate.

1 Claim, 7 Drawing Sheets



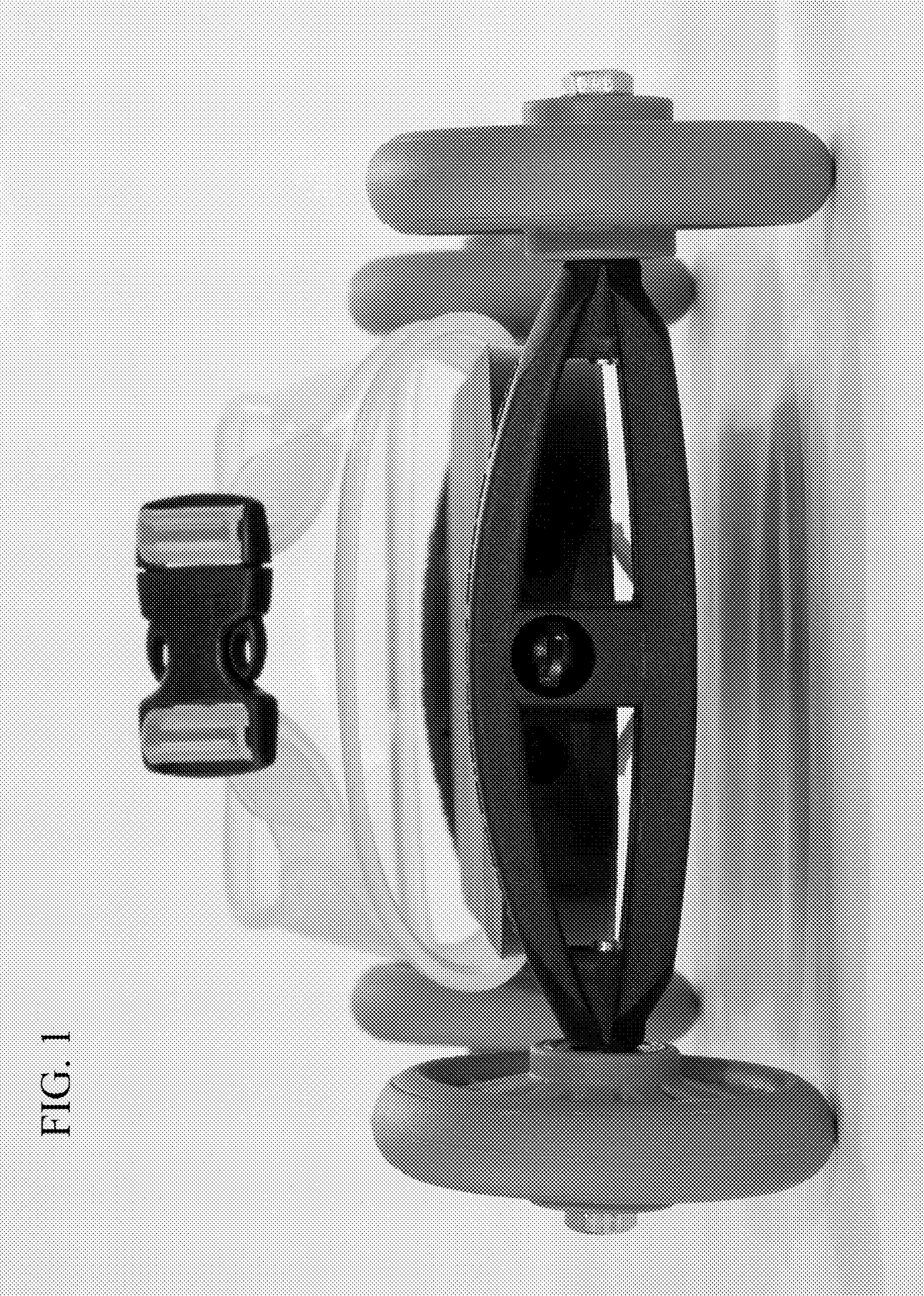


FIG. 1

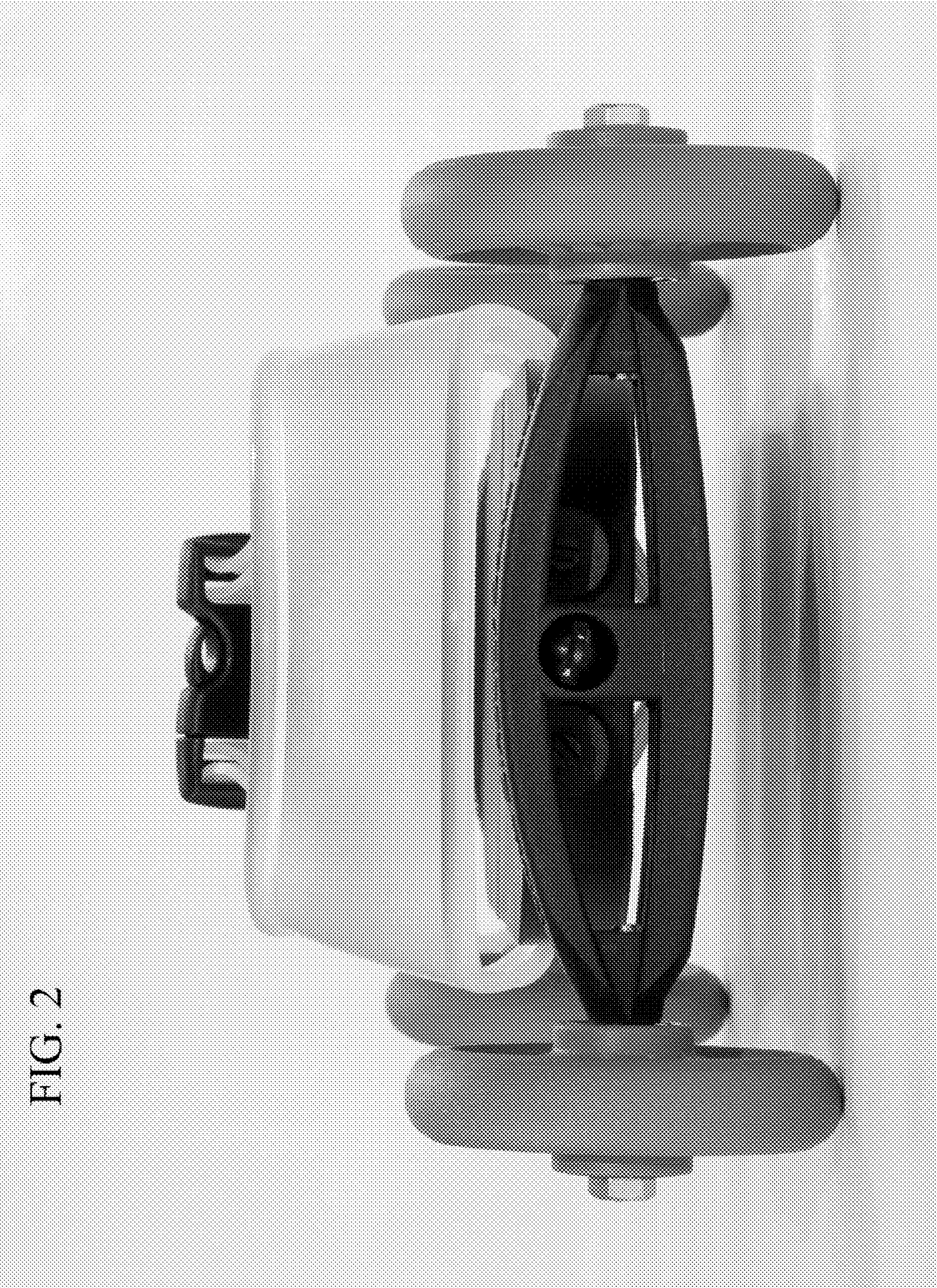


FIG. 2



FIG. 3

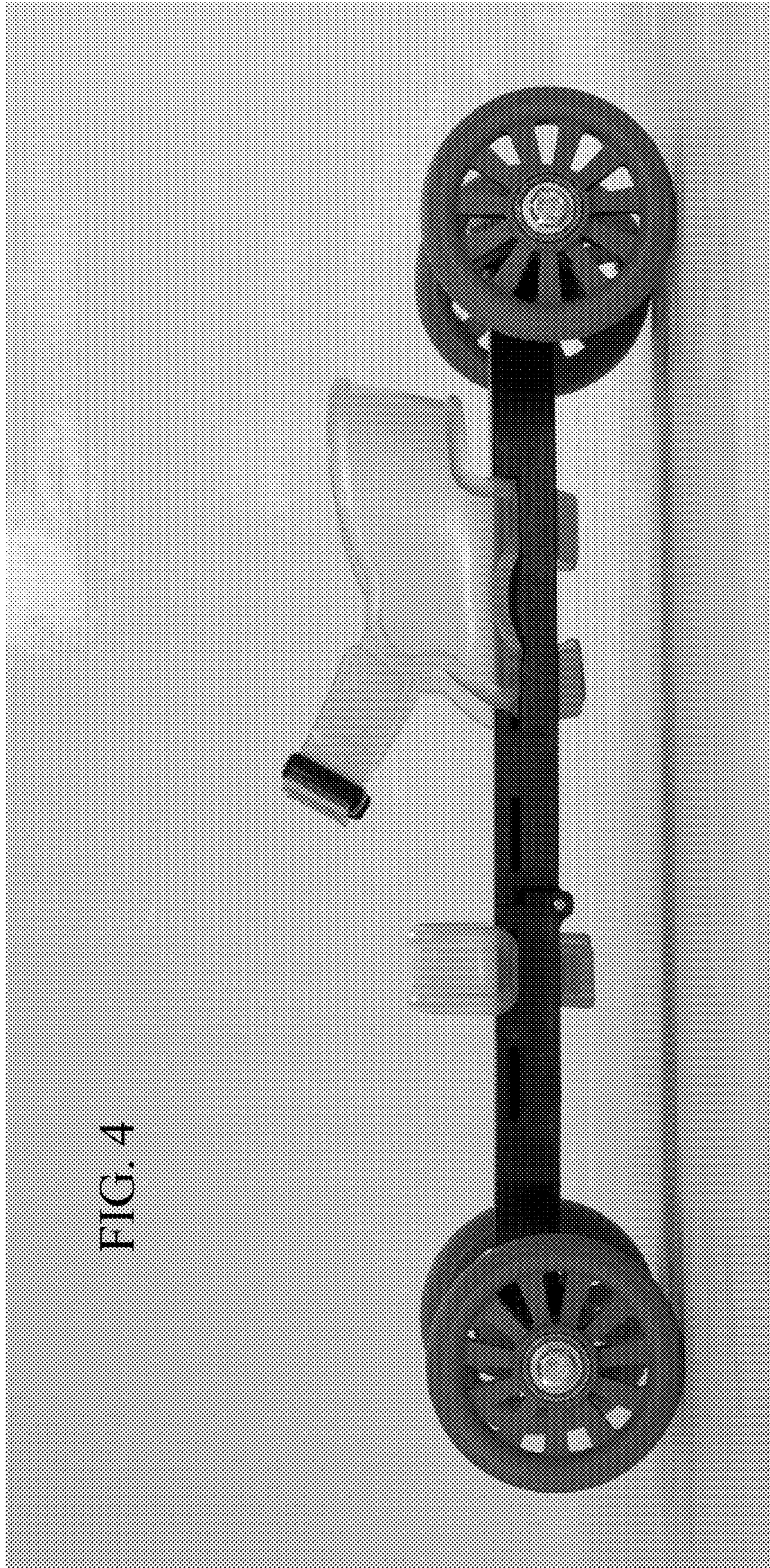


FIG. 4

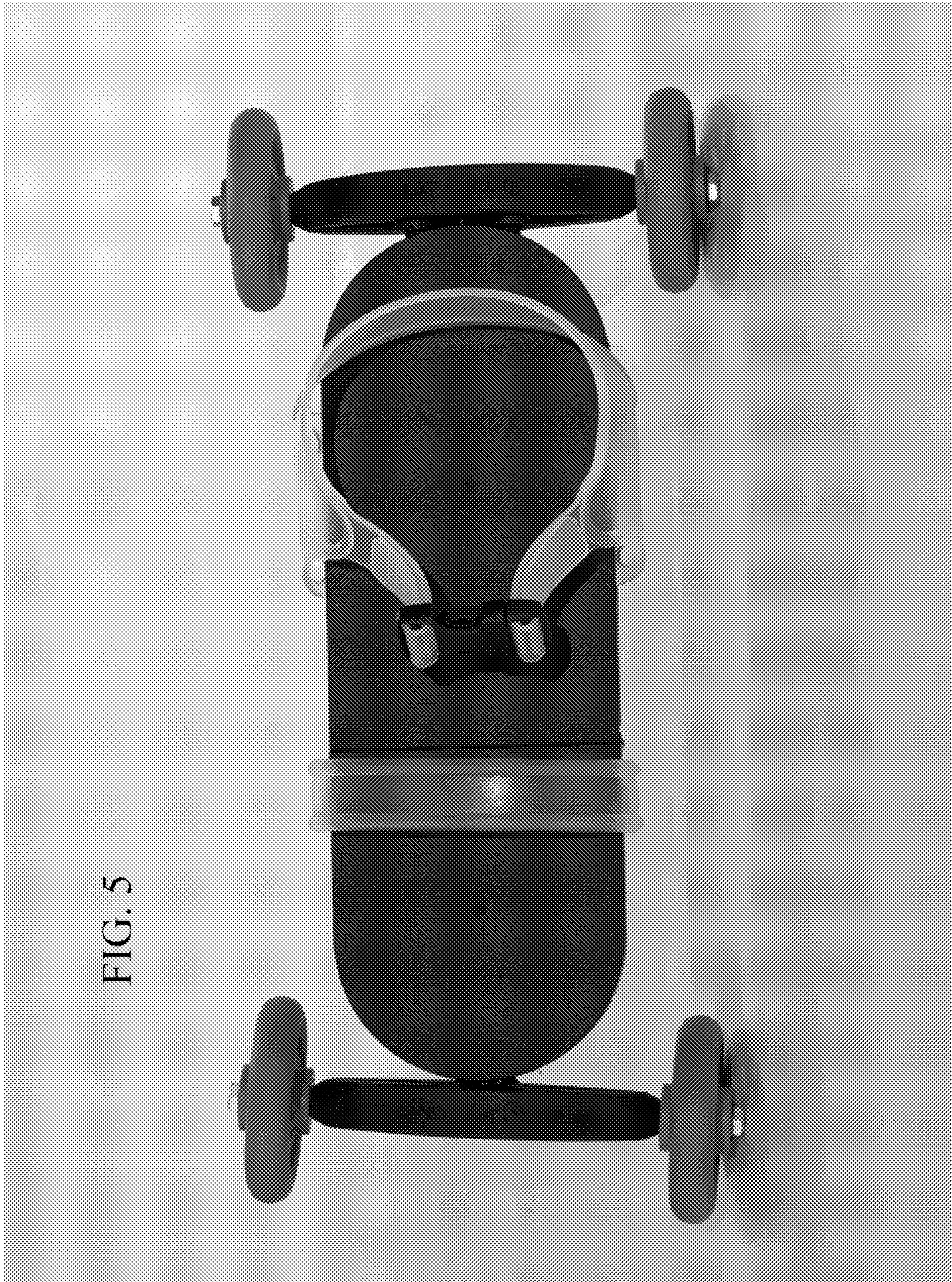
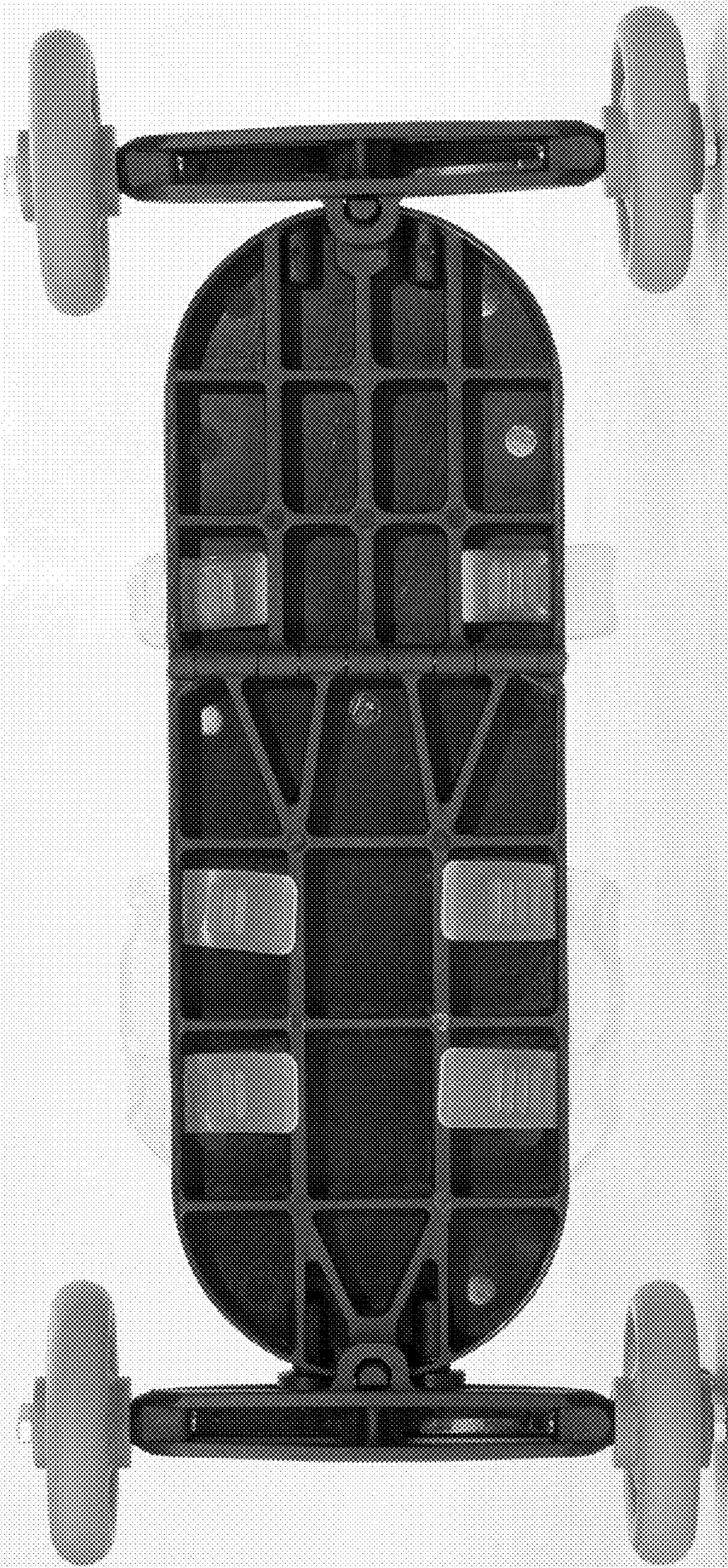


FIG. 5

FIG. 6



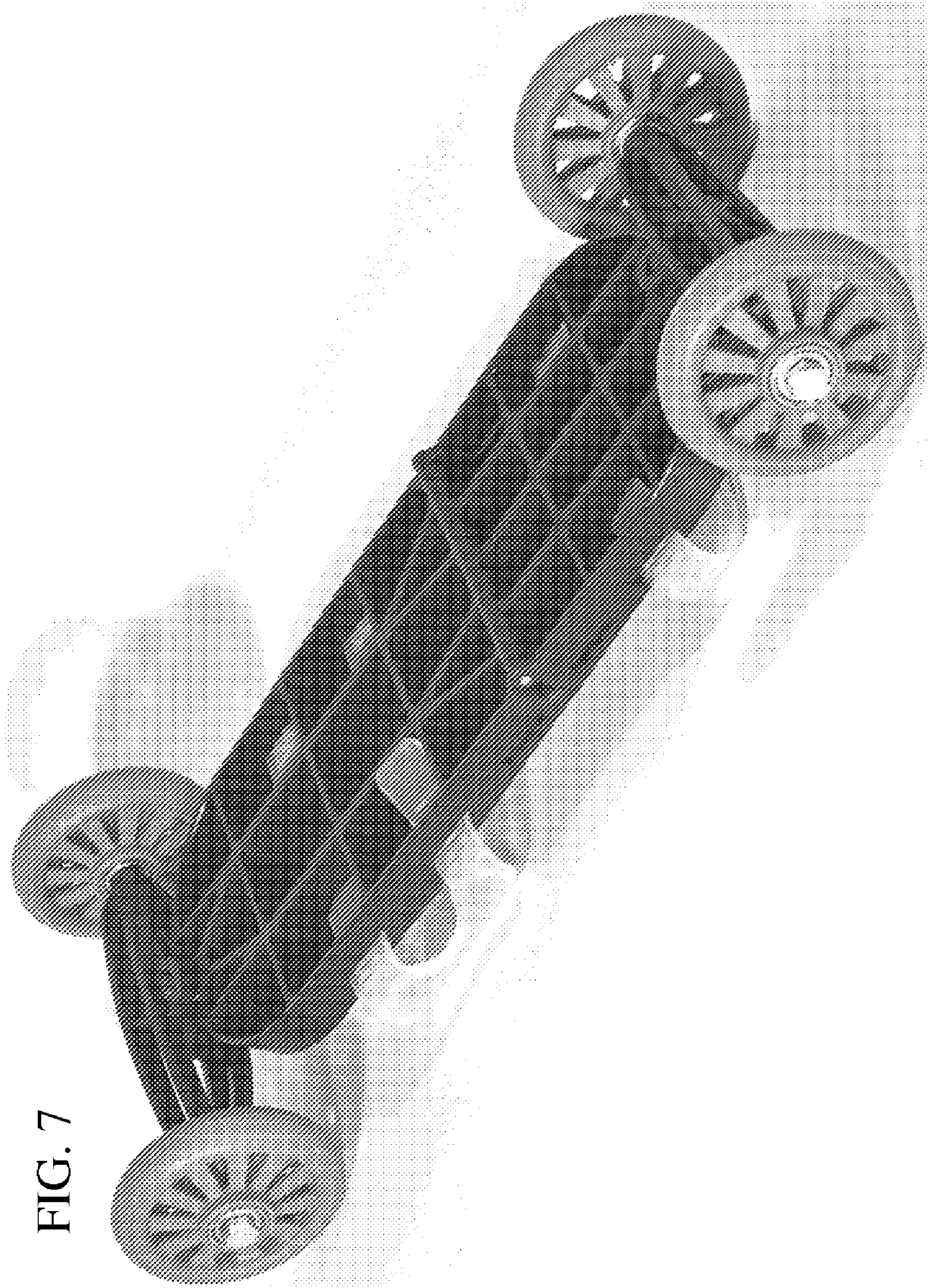


FIG. 7