



US00D654973S

(12) **United States Design Patent**
Marshall

(10) **Patent No.:** **US D654,973 S**

(45) **Date of Patent:** **** Feb. 28, 2012**

(54) **PUTTER GRIP**

(76) Inventor: **Charles Marshall**, Aurora, CO (US)

(**) Term: **14 Years**

(21) Appl. No.: **29/396,626**

(22) Filed: **Jul. 1, 2011**

(51) **LOC (9) Cl.** **21-02**

(52) **U.S. Cl.** **D21/756**

(58) **Field of Classification Search** D21/756-758;
473/300-303, 316-323, 201-204

See application file for complete search history.

(56) **References Cited**

U.S. PATENT DOCUMENTS

1,677,099	A *	7/1928	Harness	473/201
D194,471	S	1/1963	Dishner		
4,179,125	A *	12/1979	Cone et al.	D21/737
D295,207	S *	4/1988	Mahaffey	D21/756
D313,448	S	1/1991	Pezzuti		
D355,011	S	1/1995	Subnick		
D355,444	S	2/1995	DeLuca		
D359,786	S	6/1995	Cormier		
D366,920	S	2/1996	DeLuca		
D369,195	S *	4/1996	Jaeckel	D21/757
5,653,644	A *	8/1997	Jaeckel	473/303
D391,330	S *	2/1998	Solheim et al.	D21/756
D399,901	S	10/1998	Beyer		
D495,020	S *	8/2004	Ferris	D21/756
6,783,463	B2 *	8/2004	Zichmanis	473/300
D501,904	S *	2/2005	Ferris	D21/757

D515,649	S *	2/2006	Zichmanis	D21/756
D522,078	S *	5/2006	De Gruccio	D21/756
D555,744	S	11/2007	Graham		
D602,106	S	10/2009	Stellander		
D602,546	S	10/2009	Lin		
D621,463	S	8/2010	Cokewell		
D641,443	S *	7/2011	Watson	D21/756

* cited by examiner

Primary Examiner — Mitchell Siegel

(74) *Attorney, Agent, or Firm* — QuickPatents, Inc.; Kevin Prince

(57) **CLAIM**

I claim the ornamental design for a putter grip, as shown and described.

DESCRIPTION

FIG. 1 is a perspective view of a putter grip, showing my new design;

FIG. 2 is a front elevational view thereof;

FIG. 3 is a rear elevational view thereof;

FIG. 4 is a right-side elevational view thereof;

FIG. 5 is a left-side elevational view thereof;

FIG. 6 is a top plan view thereof; and,

FIG. 7 is a bottom plan view thereof.

The broken lines showing a putter golf club in FIG. 1 depict environmental matter and form no part of the claimed design.

1 Claim, 2 Drawing Sheets

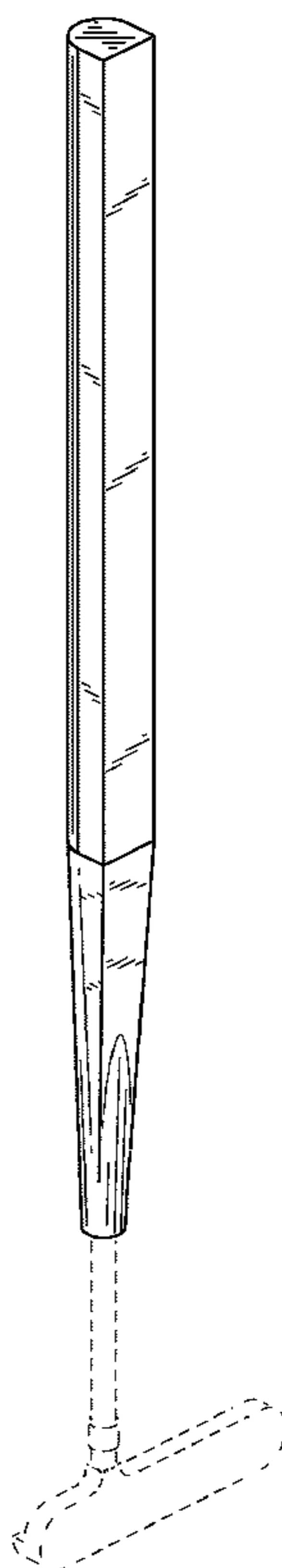


FIG. 1

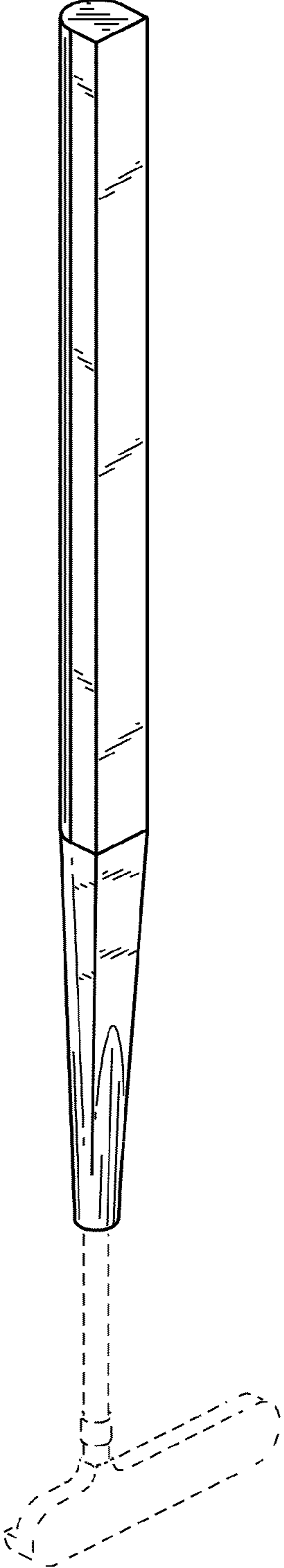


FIG. 2



FIG. 3

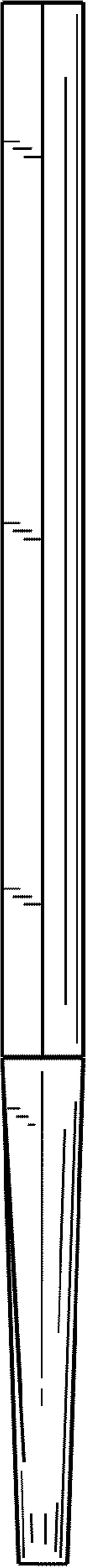


FIG. 4



FIG. 5

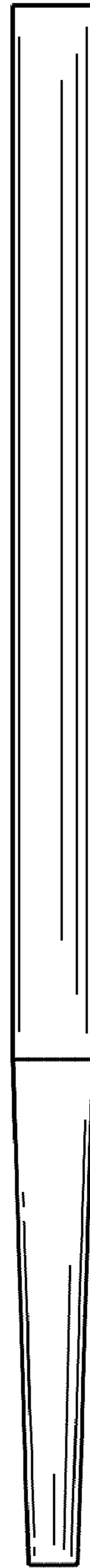


FIG. 6



FIG. 7

