



US00D654970S

(12) **United States Design Patent**
Daves

(10) **Patent No.:** **US D654,970 S**
(45) **Date of Patent:** **** Feb. 28, 2012**

(54) **FITNESS DEVICE**

(76) **Inventor:** **Bret Daves**, Ankeny, IA (US)

(**) **Term:** **14 Years**

(21) **Appl. No.:** **29/384,068**

(22) **Filed:** **Jan. 26, 2011**

(51) **LOC (9) Cl.** **21-02**

(52) **U.S. Cl.** **D21/662**

(58) **Field of Classification Search** D21/662,
D21/679, 680, 684, 686, 692, 694, 805; 482/91,
482/92, 95, 96, 104-110, 112, 127, 132,
482/140, 141, 148; D24/200, 211; 601/120
See application file for complete search history.

(56) **References Cited**

U.S. PATENT DOCUMENTS

2,920,418	A *	1/1960	Britt	446/241
3,403,906	A *	10/1968	Burzenski	482/132
3,616,794	A *	11/1971	Gromala	601/120
D224,935	S *	10/1972	Winger	D21/662
3,752,475	A *	8/1973	Ott	482/127
D248,493	S *	7/1978	Moncrief	D24/211
4,339,127	A *	7/1982	Mitchell	482/132
D271,051	S *	10/1983	McCoy et al.	D24/211
D274,925	S *	7/1984	Holcomb	D21/684

4,712,539	A *	12/1987	Kim	601/120
D306,886	S *	3/1990	Shiek et al.	D21/662
D347,898	S *	6/1994	Belcher	D24/211
5,577,995	A *	11/1996	Walker et al.	601/120
5,626,543	A *	5/1997	Chen	482/112
D405,888	S *	2/1999	Antoskow	D24/211
D422,038	S *	3/2000	Iannetta	D21/662
D445,852	S *	7/2001	Mishan et al.	D21/662
6,328,680	B1 *	12/2001	Shifferaw	482/132
D454,929	S *	3/2002	Huang	D21/662
D477,414	S *	7/2003	Chen	D24/211
D538,360	S *	3/2007	Beaupre	D21/684
7,837,603	B1 *	11/2010	Carnell, Sr.	482/132

* cited by examiner

Primary Examiner — Susan E Krakower

(74) *Attorney, Agent, or Firm* — Simmons Perrine Moyer Bergman, PLC

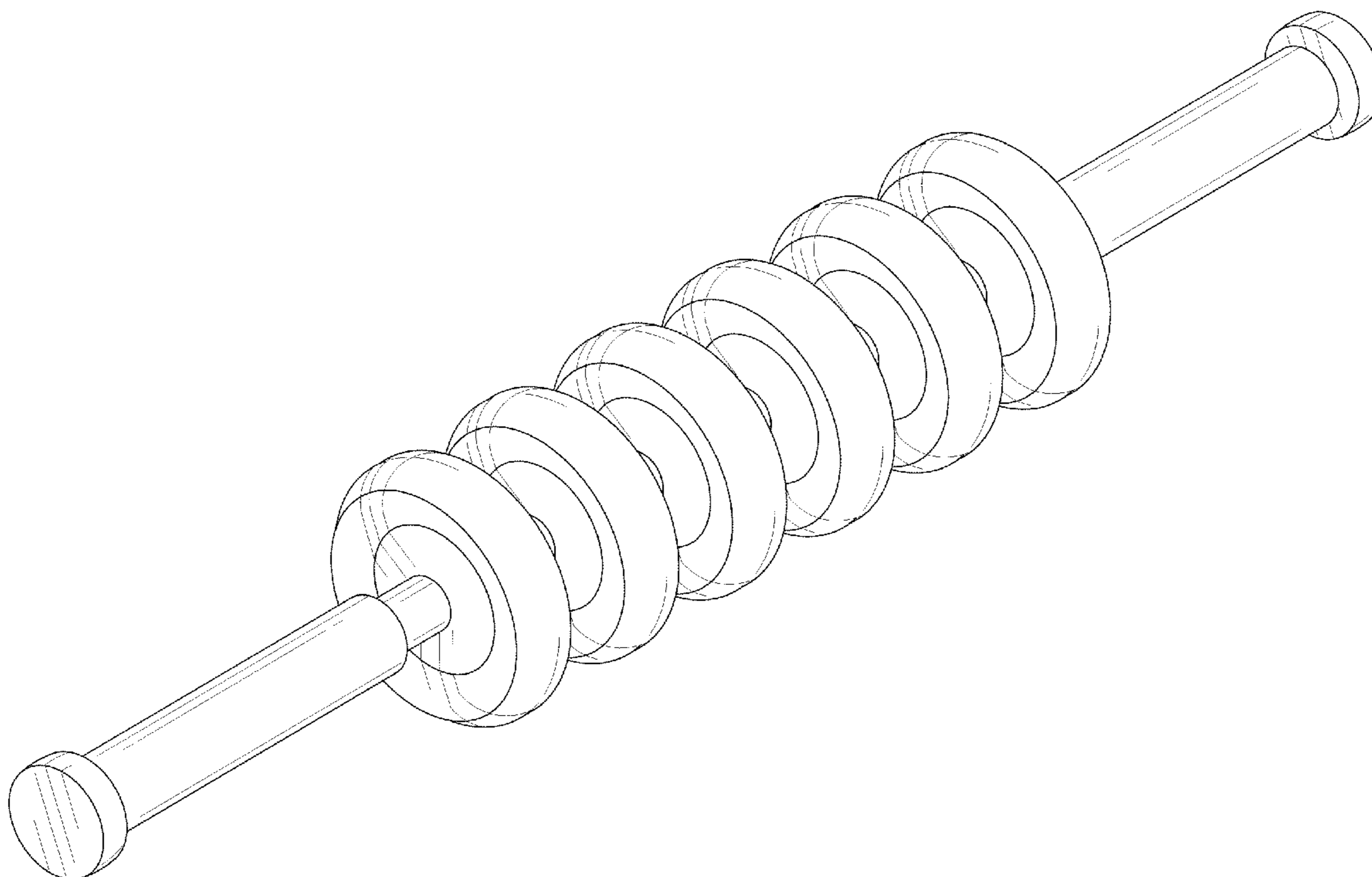
(57) **CLAIM**

The ornamental design for the fitness device, as shown and described.

DESCRIPTION

FIG. 1 is a perspective view of a fitness device showing my new design.
FIG. 2 is a top view thereof; and,
FIG. 3 is a right side view thereof.

1 Claim, 2 Drawing Sheets



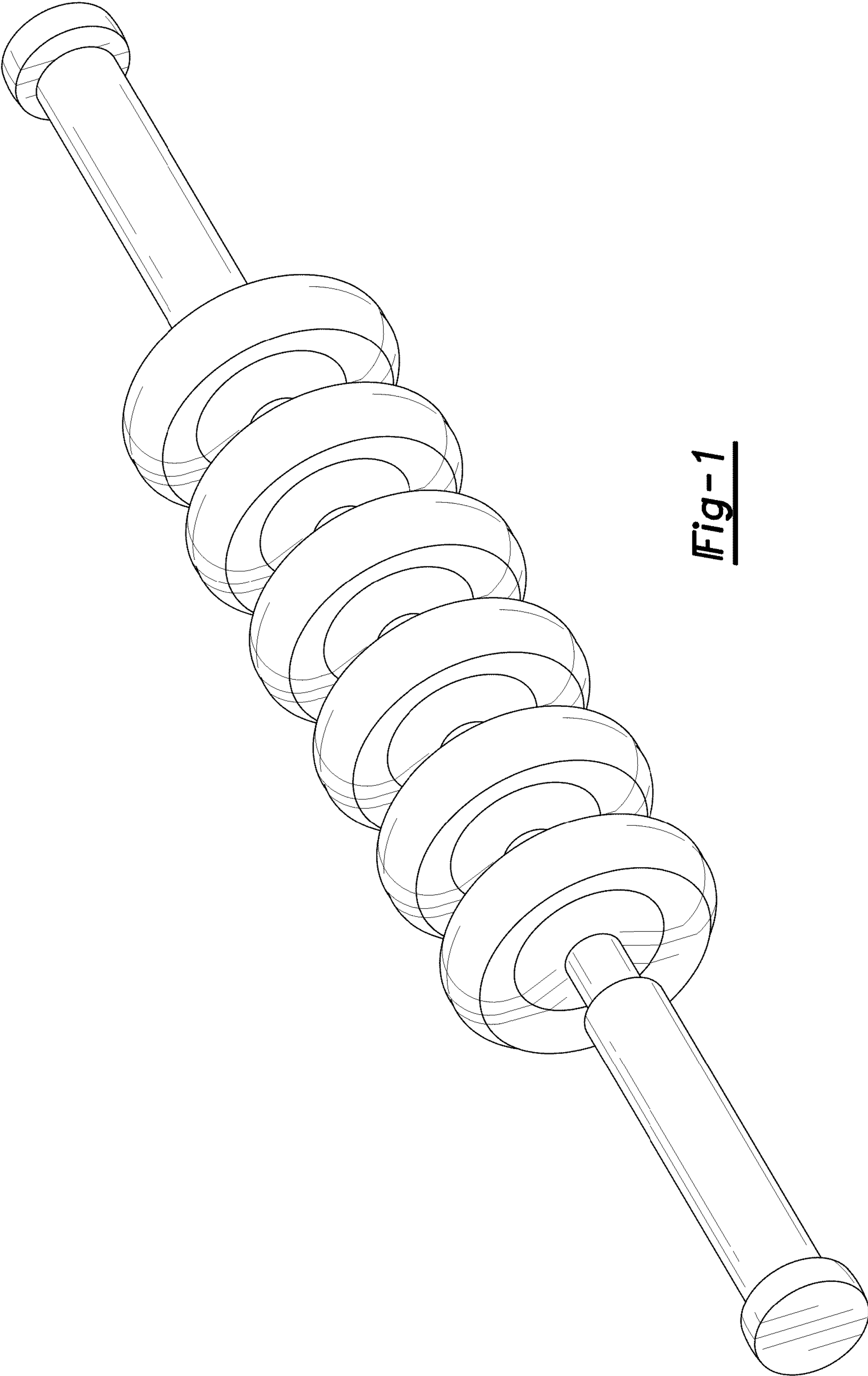


Fig-1

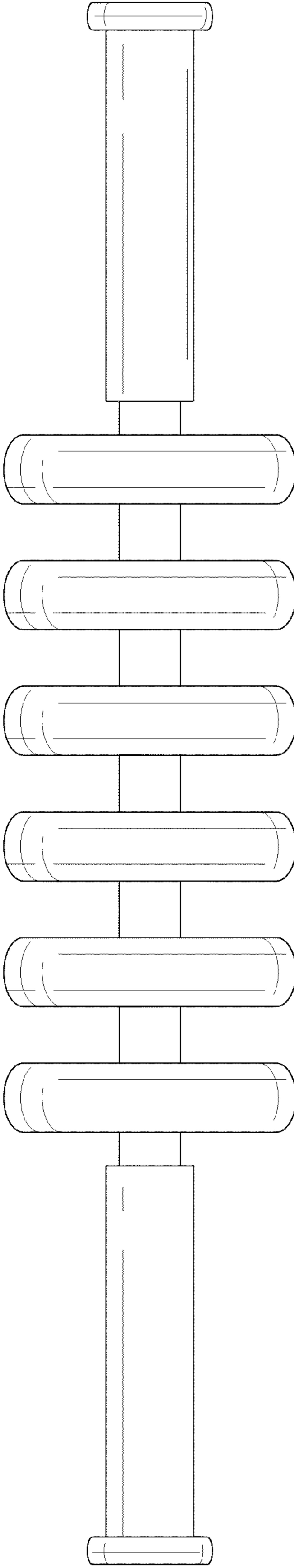


Fig-2

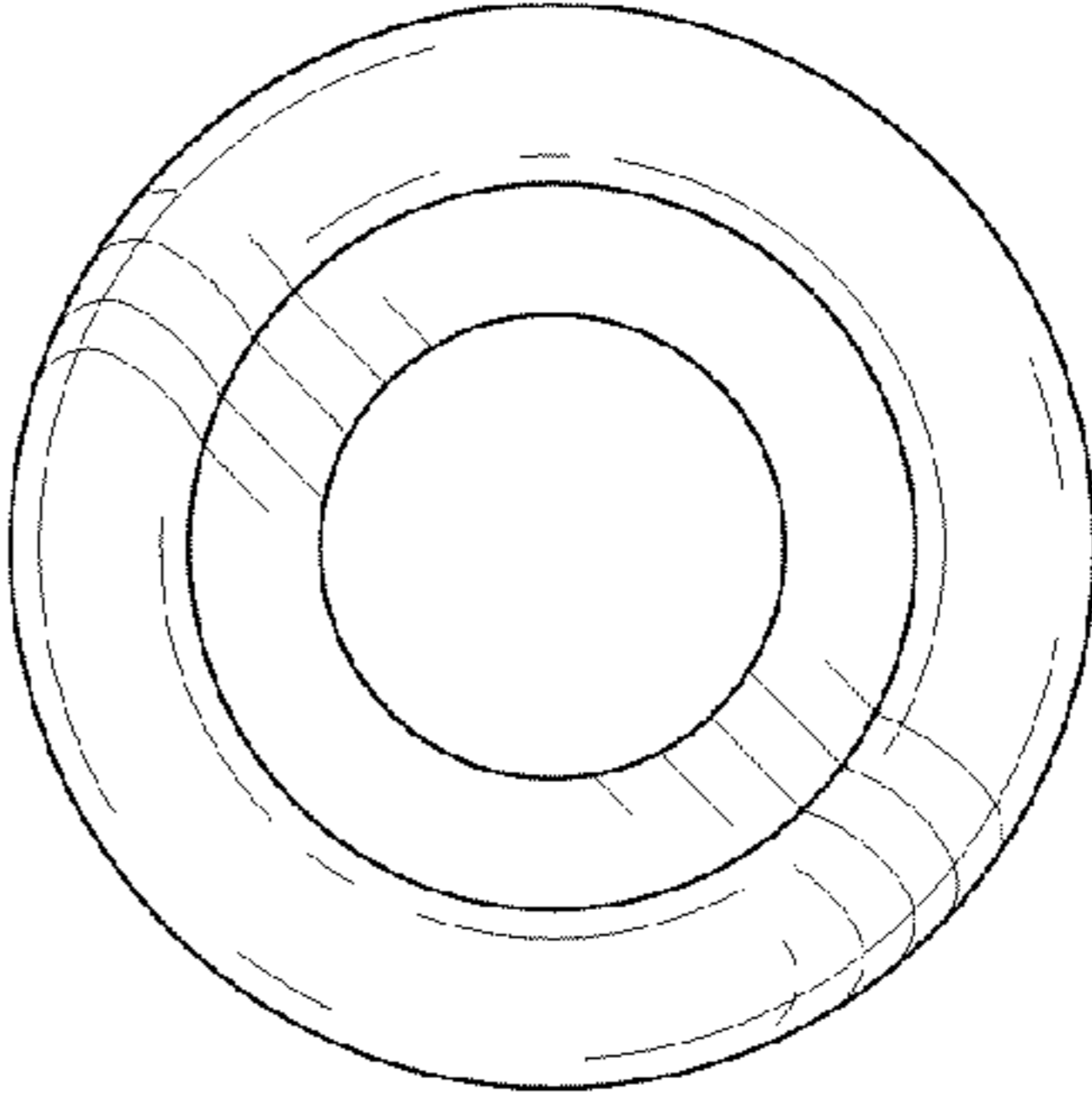


Fig-3