



US00D654965S

(12) **United States Design Patent**
Herlitz et al.

(10) **Patent No.:** **US D654,965 S**

(45) **Date of Patent:** **** Feb. 28, 2012**

(54) **SCOOTER**

(75) Inventors: **Todd Herlitz**, Chicago, IL (US); **John Dutton**, Chicago, IL (US)

(73) Assignee: **Radio Flyer Inc**, Chicago, IL (US)

(**) Term: **14 Years**

(21) Appl. No.: **29/393,136**

(22) Filed: **May 31, 2011**

(51) **LOC (9) Cl.** **21-01**

(52) **U.S. Cl.** **D21/423**

(58) **Field of Classification Search** D21/419,
D21/421, 423, 426, 769, 760, 765, 771, 803;
D12/1, 8; 280/14.21, 14.25, 14.26, 87.041,
280/87.042, 263, 288.1, 288.2, 288.4, 200,
280/214, 809; 180/180, 181

See application file for complete search history.

(56) **References Cited**

U.S. PATENT DOCUMENTS

D421,282 S *	2/2000	Orr	D21/765
D471,597 S *	3/2003	Chen	D21/423
D475,093 S *	5/2003	Furter et al.	D21/423
D564,037 S *	3/2008	Cramer et al.	D21/423

D579,987 S *	11/2008	Hong	D21/423
D580,500 S *	11/2008	Hong	D21/423
D603,463 S *	11/2009	Jessie, Jr.	D21/423
D630,158 S *	1/2011	Jessie, Jr.	D12/423
D638,496 S *	5/2011	Scolari et al.	D21/423

* cited by examiner

Primary Examiner — Cynthia M Chin

(74) *Attorney, Agent, or Firm* — R. Blake Johnston, Esq.;
DLA Piper LLP US

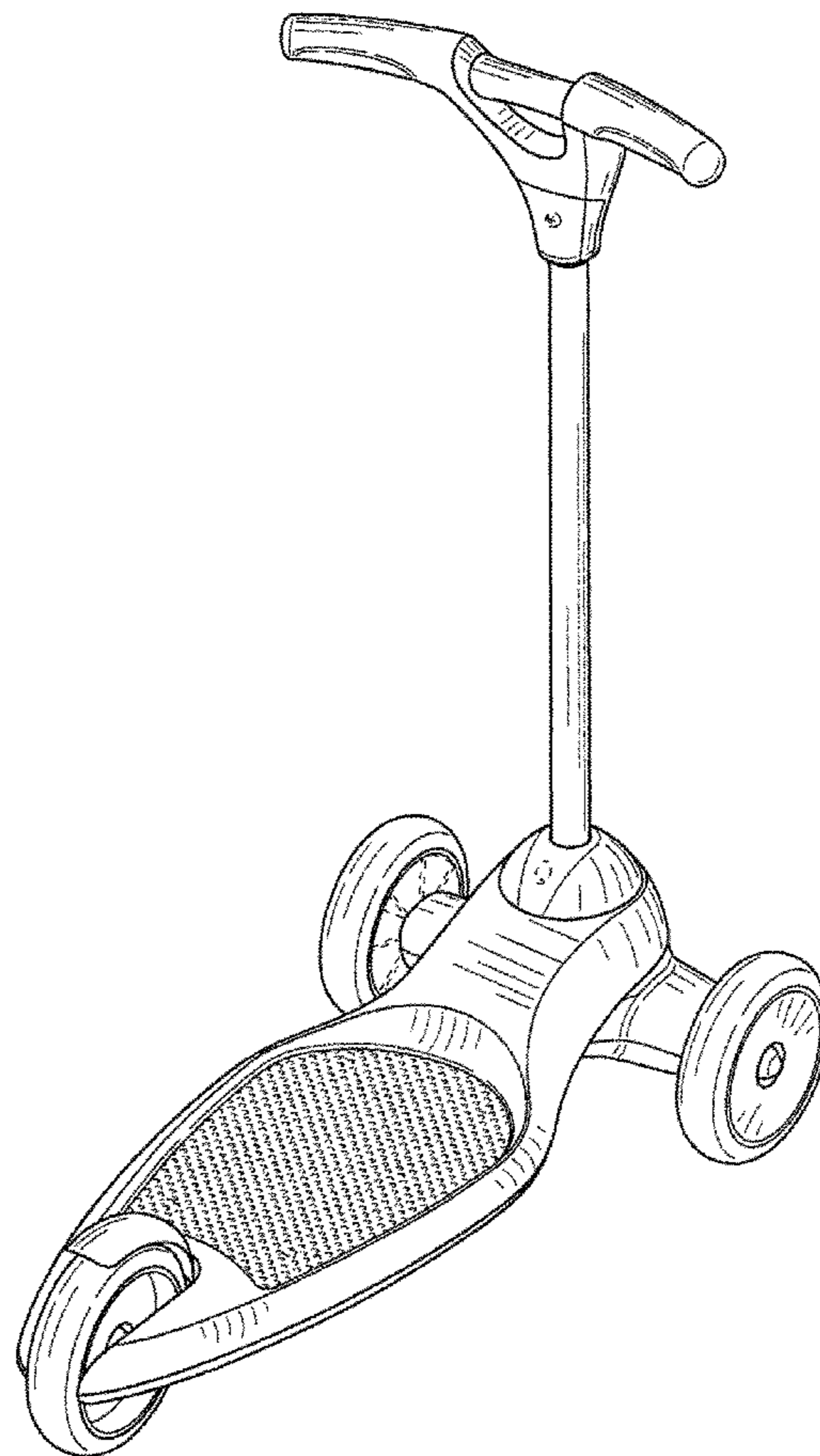
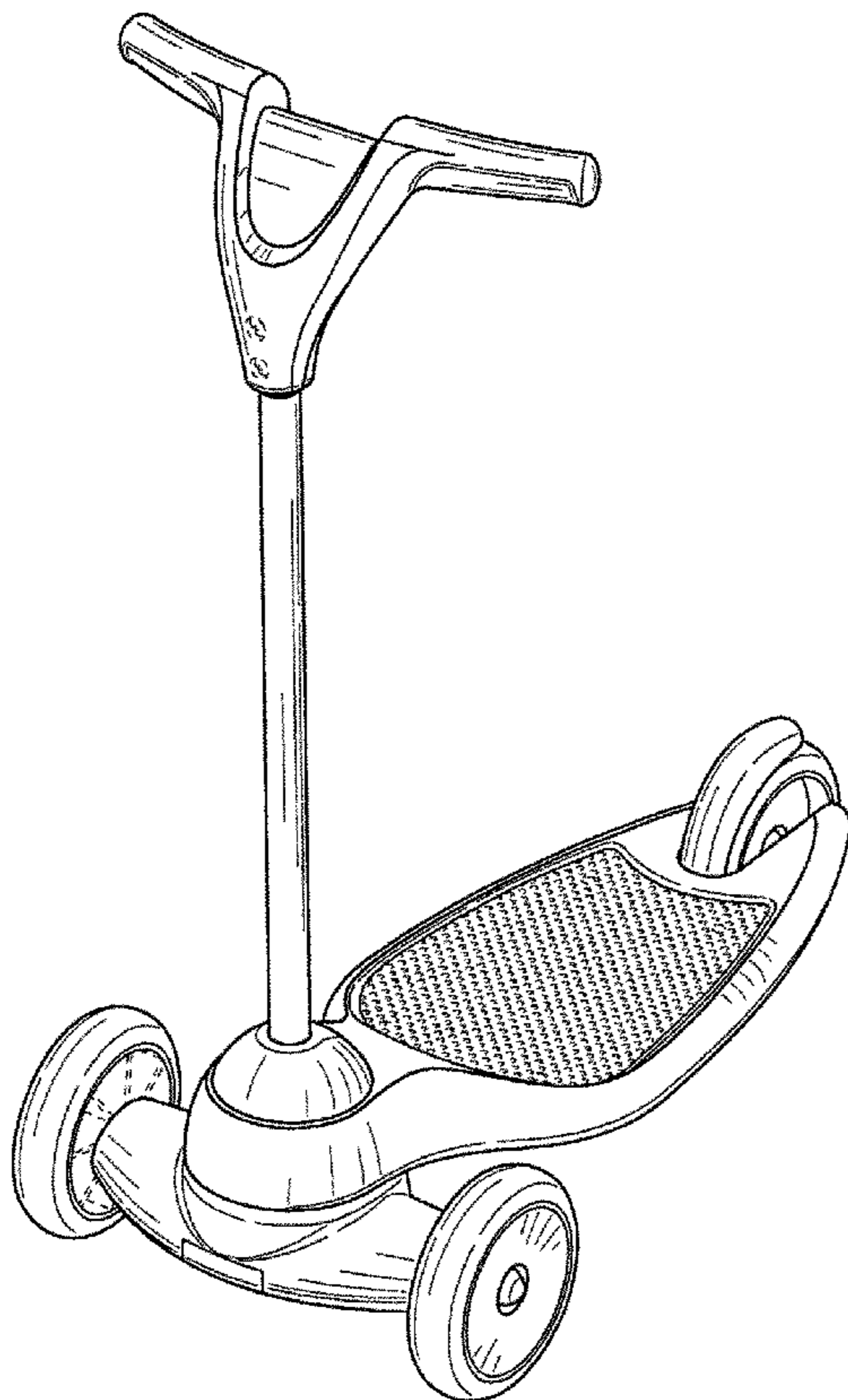
(57) **CLAIM**

The ornamental design for a scooter, as shown and described.

DESCRIPTION

FIG. 1 is a top front perspective view of the scooter;
FIG. 2 is a front elevational view of the scooter;
FIG. 3 is a rear elevational view of the scooter;
FIG. 4 is a side elevational view of the scooter, the opposite
side of which is a mirror image thereof;
FIG. 5 is a top plan view of the scooter;
FIG. 6 is a bottom plan view of the scooter; and,
FIG. 7 is a top rear perspective view of the scooter.
The features shown in broken lines form no part of the
claimed design.

1 Claim, 5 Drawing Sheets



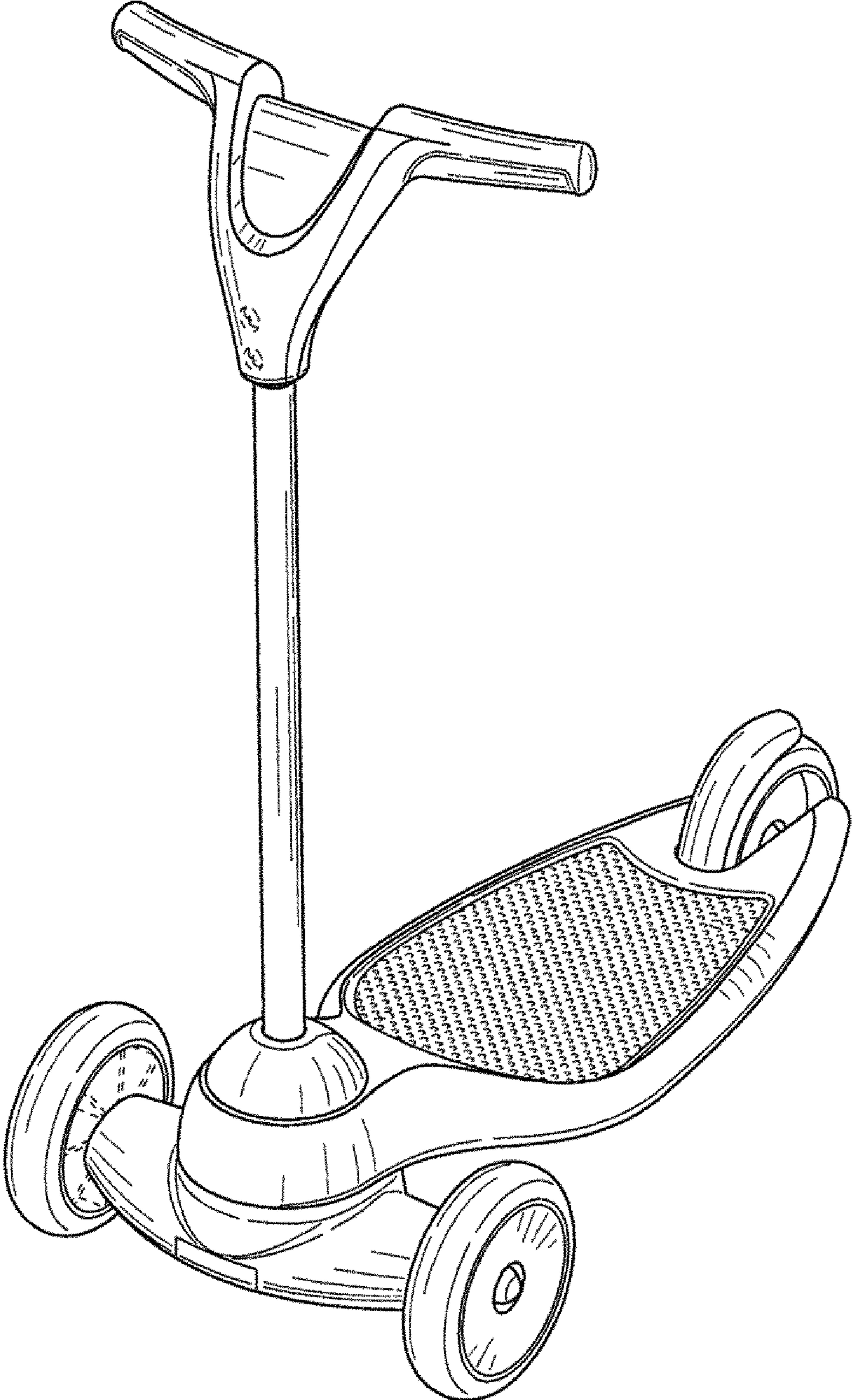


FIG. 1

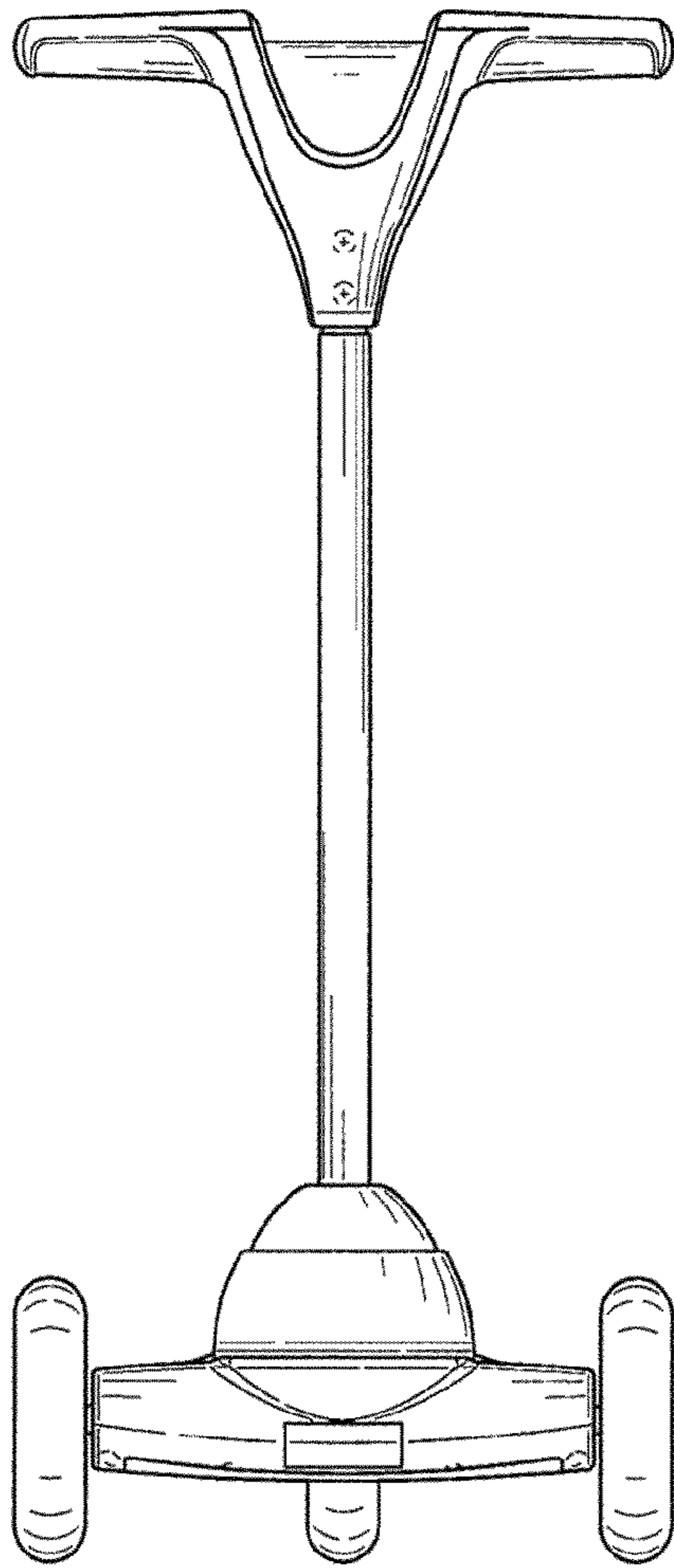


FIG. 2

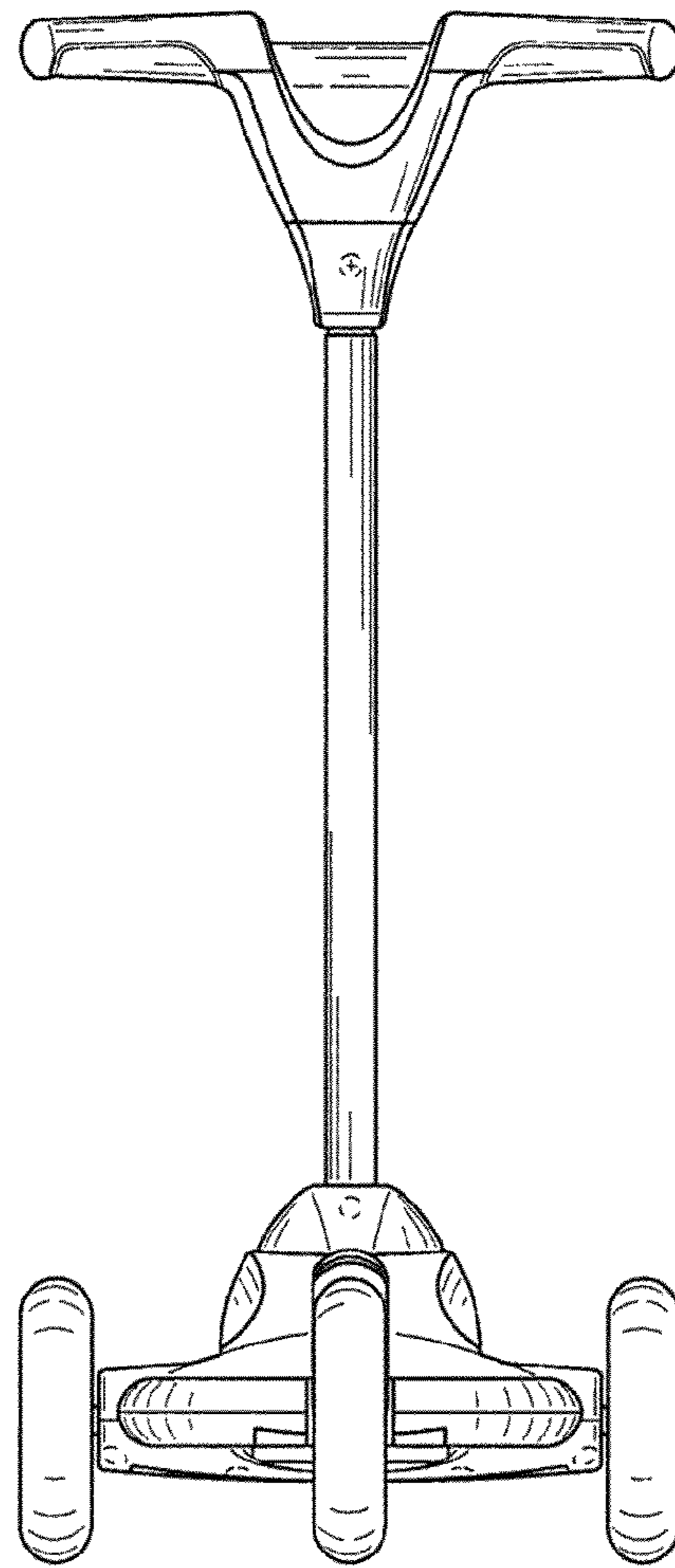


FIG. 3

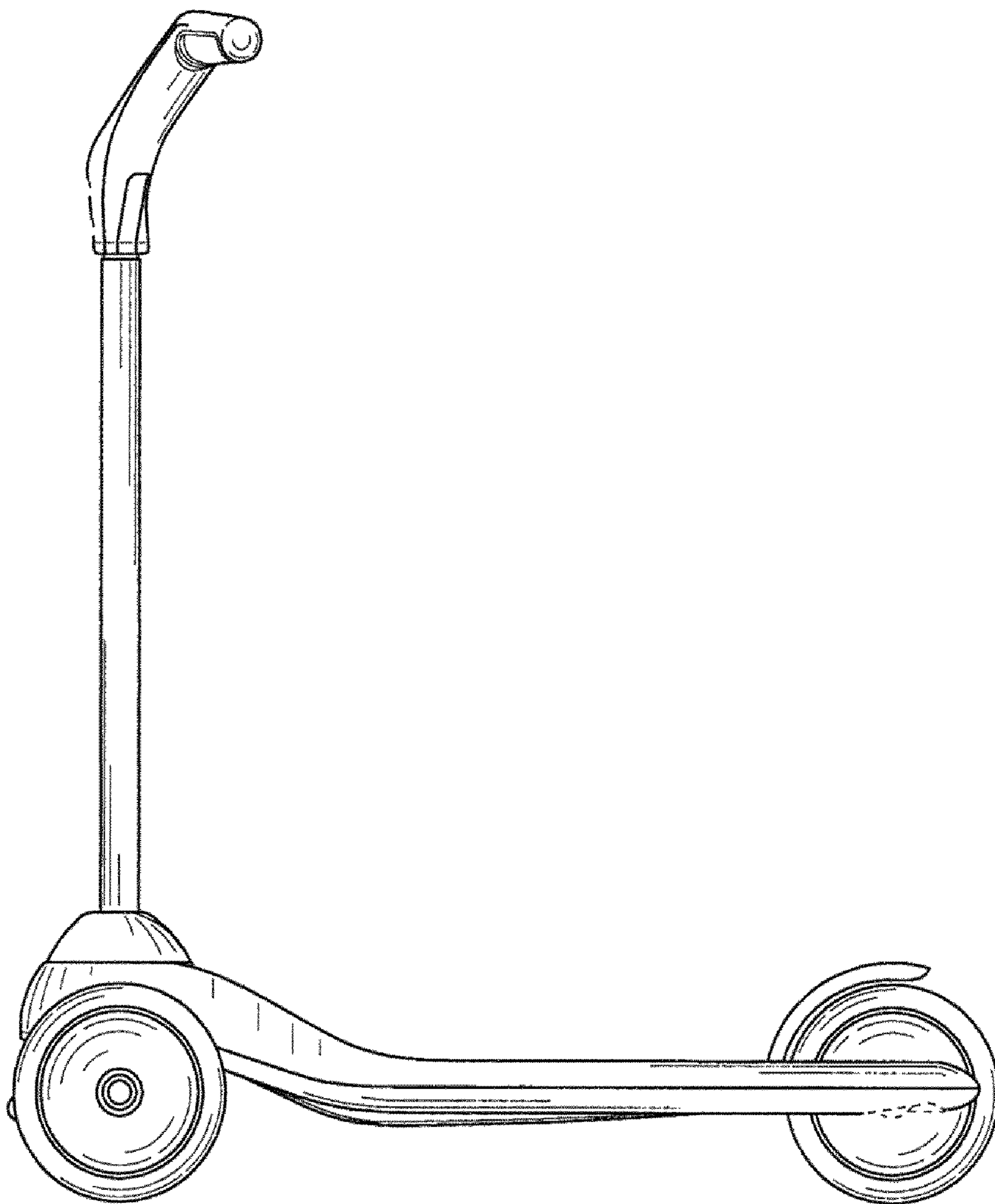


FIG. 4

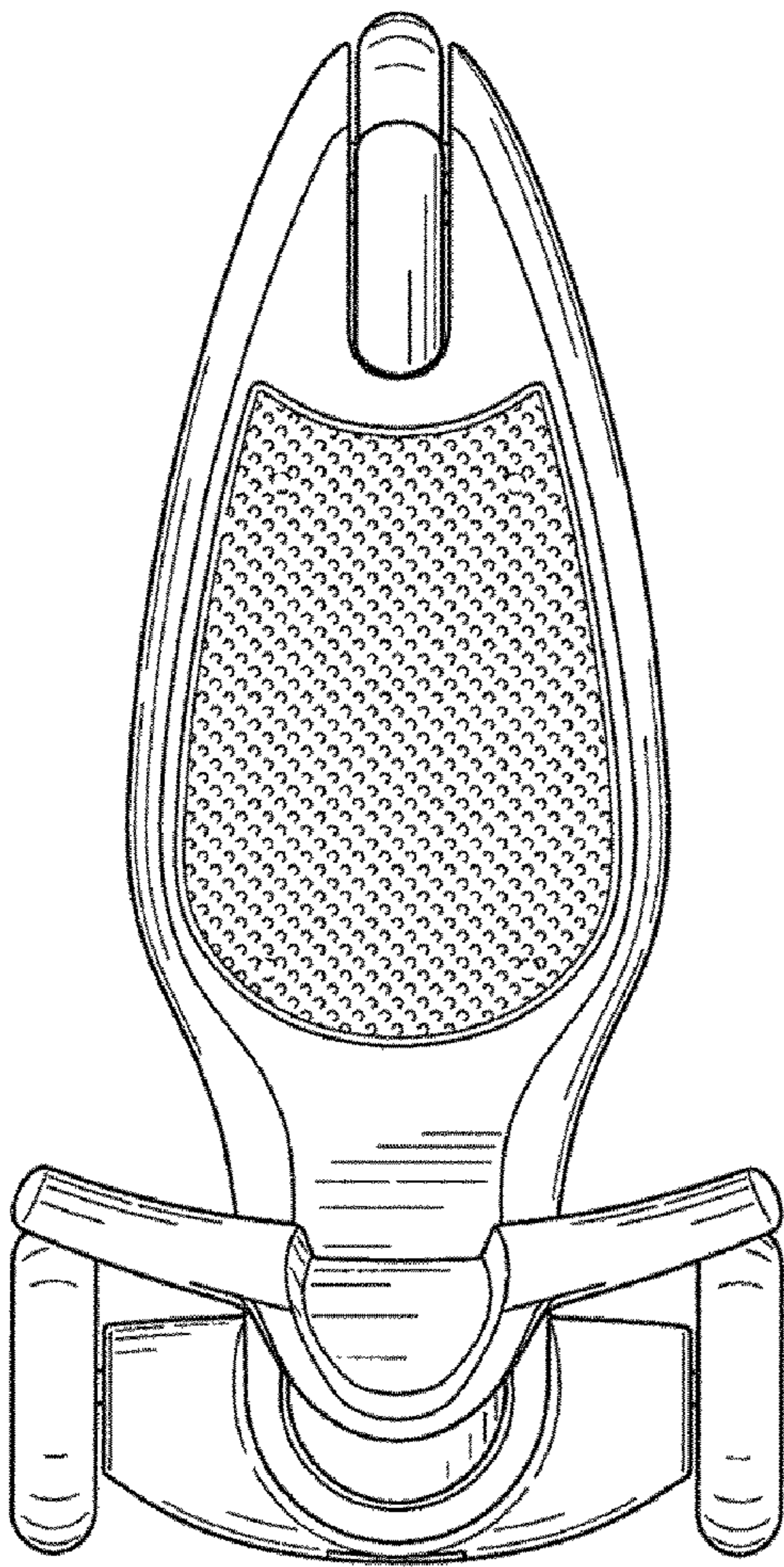


FIG. 5

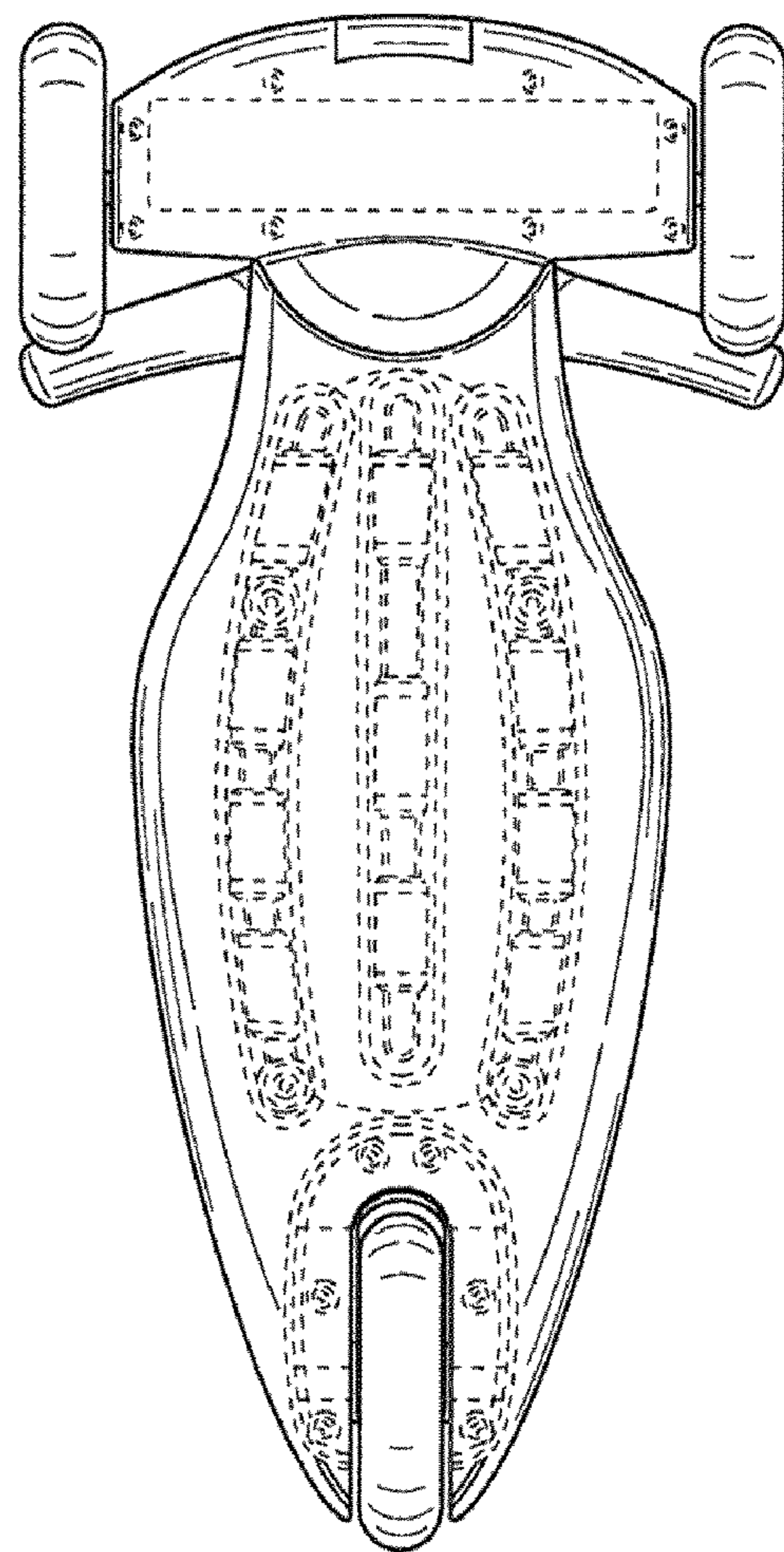


FIG. 6

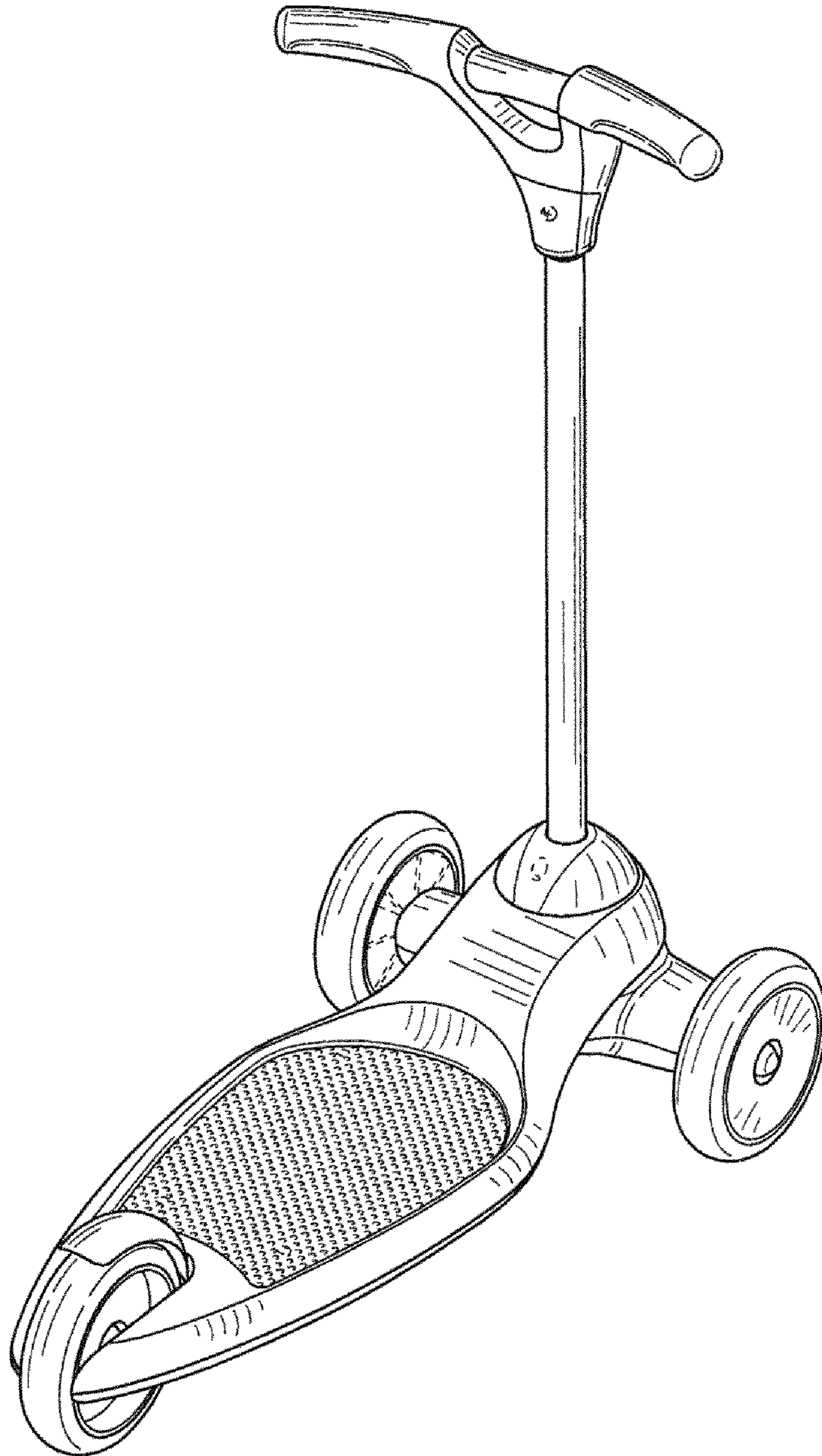


FIG. 7