



US00D654964S

(12) **United States Design Patent**  
**Herlitz et al.**

(10) **Patent No.:** **US D654,964 S**

(45) **Date of Patent:** **\*\* Feb. 28, 2012**

(54) **SCOOTER**

(75) Inventors: **Todd Herlitz**, Chicago, IL (US); **John Dutton**, Chicago, IL (US)

(73) Assignee: **Radio Flyer Inc**, Chicago, IL (US)

(\*\*) Term: **14 Years**

(21) Appl. No.: **29/393,134**

(22) Filed: **May 31, 2011**

(51) **LOC (9) Cl.** ..... **21-01**

(52) **U.S. Cl.** ..... **D21/423**

(58) **Field of Classification Search** ..... D21/419,  
D21/421, 423, 426, 769, 760, 765, 771, 803;  
D12/1, 8; 280/14.21, 14.25, 14.26, 87.041,  
280/87.042, 263, 288.1, 288.2, 288.4, 200,  
280/214, 809; 180/180, 181

See application file for complete search history.

(56) **References Cited**

**U.S. PATENT DOCUMENTS**

D421,282 S *	2/2000	Orr	.....	D21/765
D471,597 S *	3/2003	Chen	.....	D21/423
D475,093 S *	5/2003	Furter et al.	.....	D21/423
D564,037 S *	3/2008	Cramer et al.	.....	D21/423

D579,987 S *	11/2008	Hong	.....	D21/423
D580,500 S *	11/2008	Hong	.....	D21/423
D603,463 S *	11/2009	Jessie, Jr.	.....	D21/423
D630,158 S *	1/2011	Jessie, Jr.	.....	D12/423
D638,496 S *	5/2011	Scolari et al.	.....	D21/423

\* cited by examiner

*Primary Examiner* — Cynthia M Chin

(74) *Attorney, Agent, or Firm* — R. Blake Johnston, Esq.;  
DLA Piper LLP US

(57) **CLAIM**

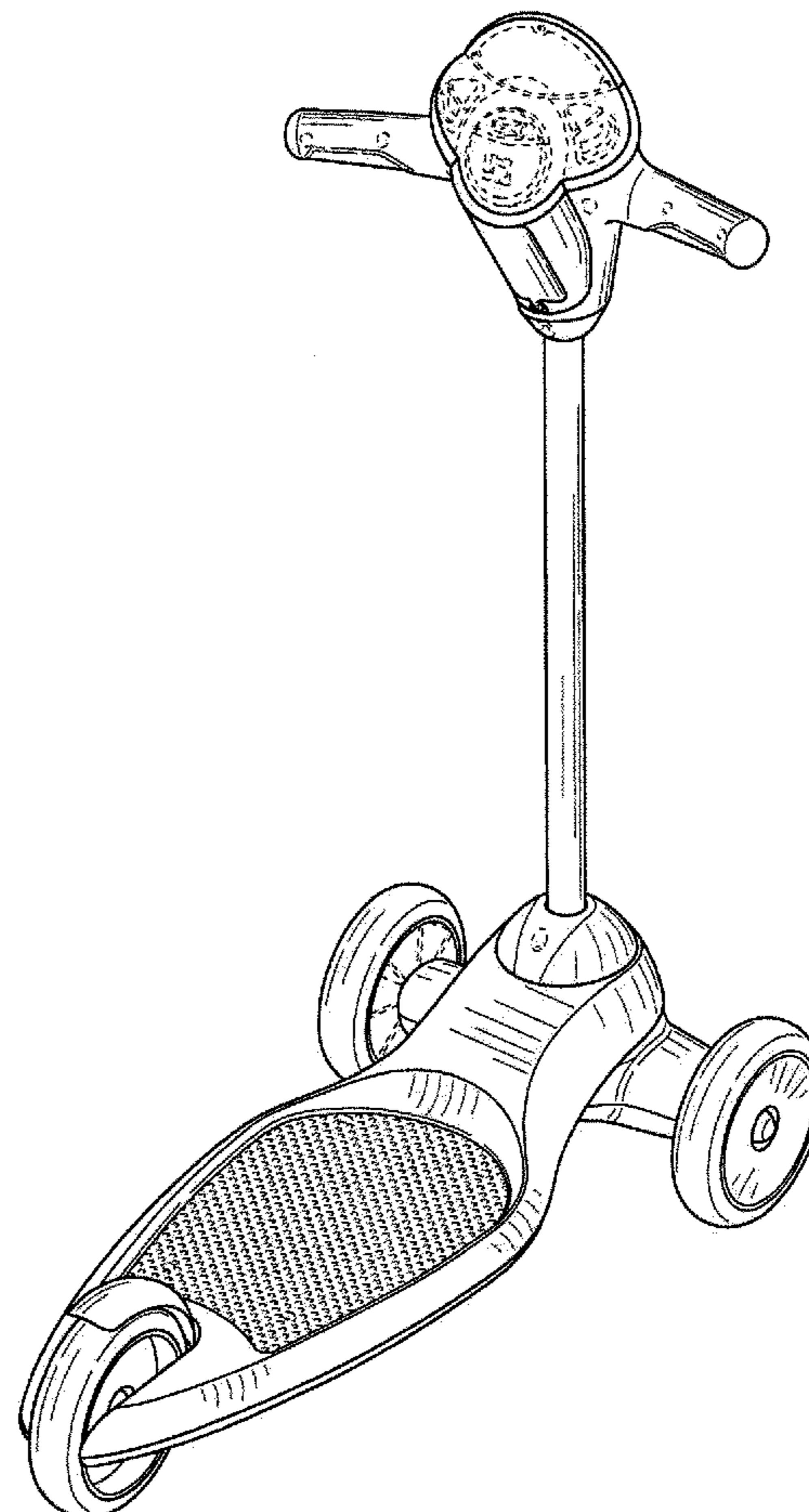
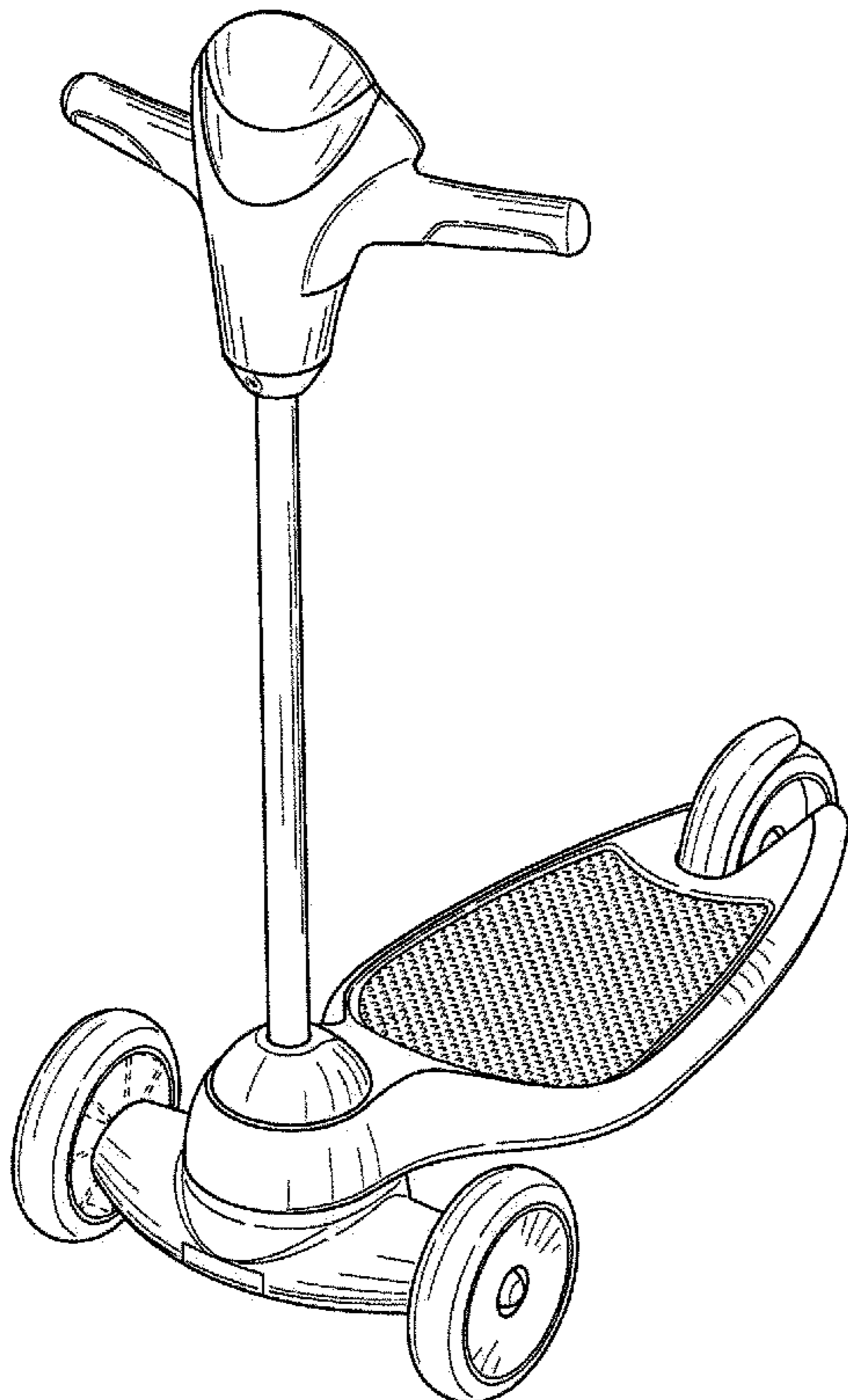
The ornamental design for a scooter, as shown and described.

**DESCRIPTION**

FIG. 1 is a top front perspective view of the scooter;  
 FIG. 2 is a front elevational view of the scooter;  
 FIG. 3 is a rear elevational view of the scooter;  
 FIG. 4 is a side elevation view of the scooter, the opposite side of which is a mirror image thereof;  
 FIG. 5 is a top plan view of the scooter;  
 FIG. 6 is a bottom plan view of the scooter; and,  
 FIG. 7 is a top rear perspective view of the scooter.

The features shown in broken lines form no part of the claimed design.

**1 Claim, 5 Drawing Sheets**



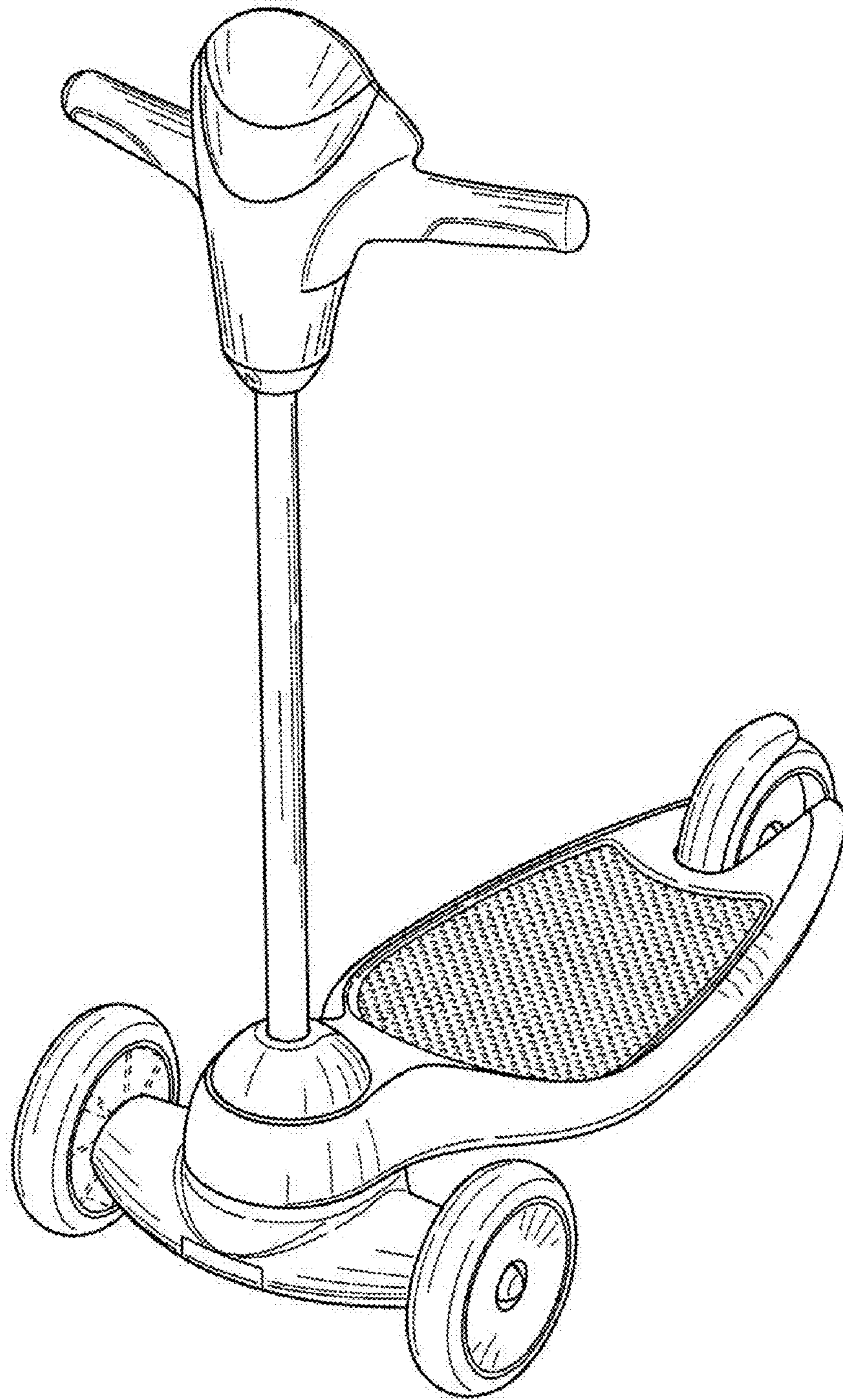


FIG. 1



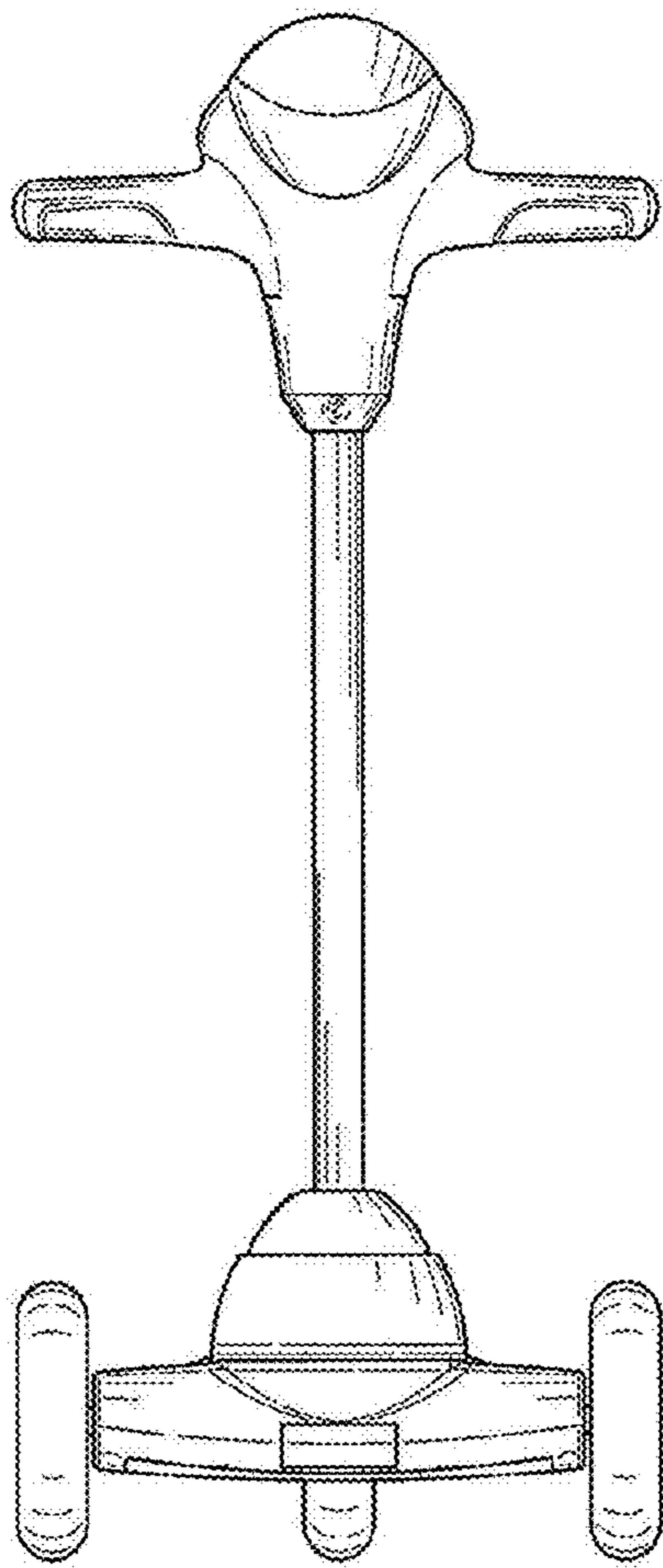


FIG. 2

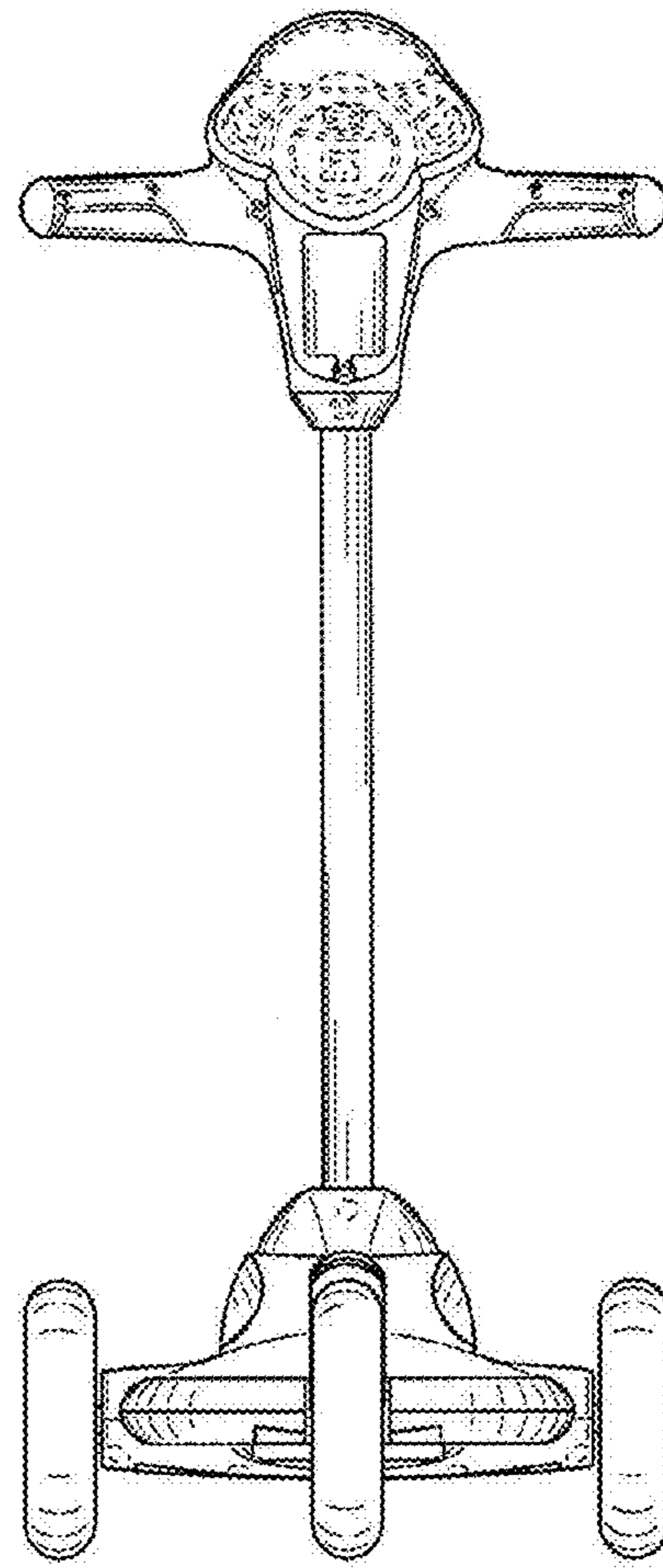


FIG. 3

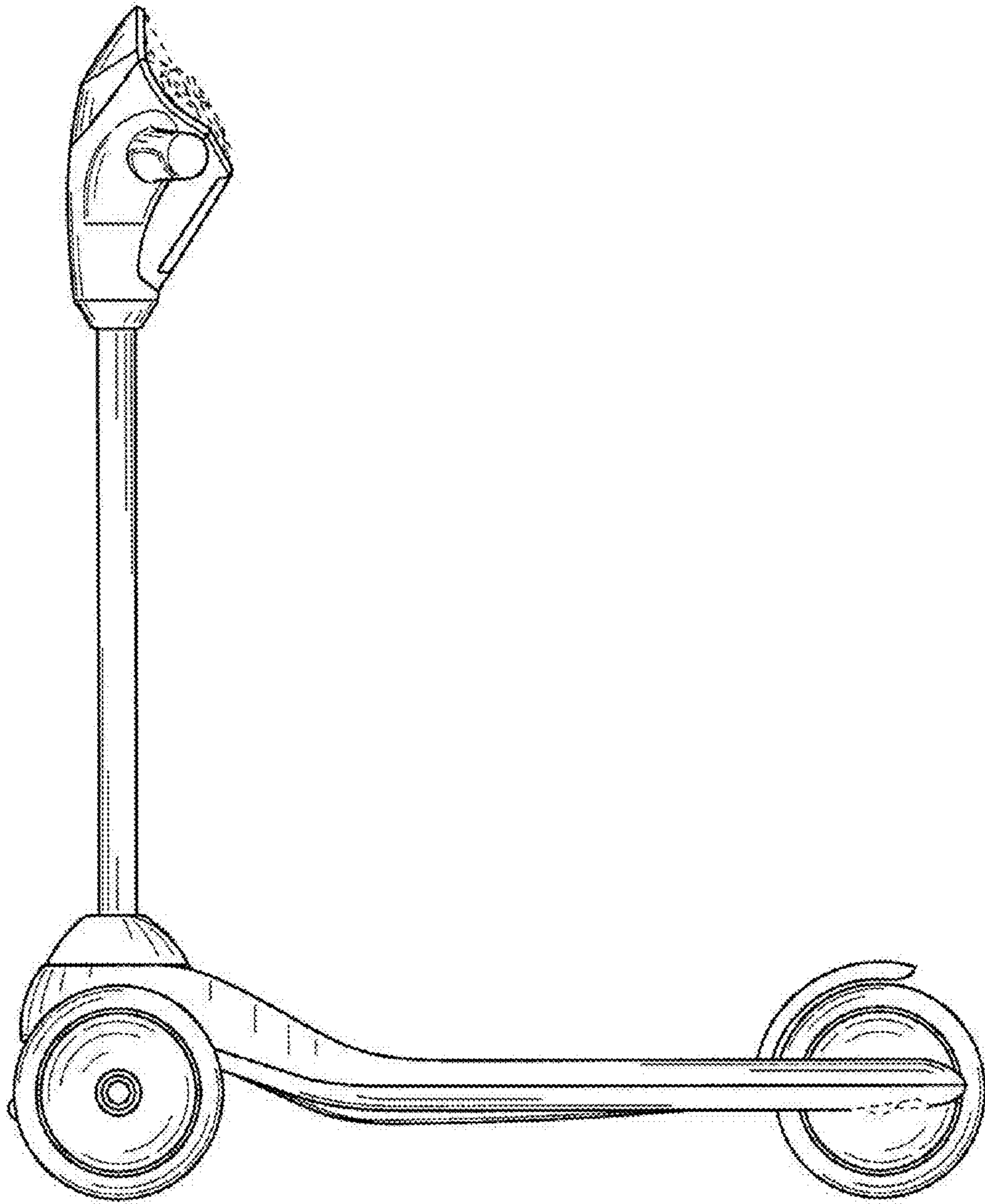


FIG. 4

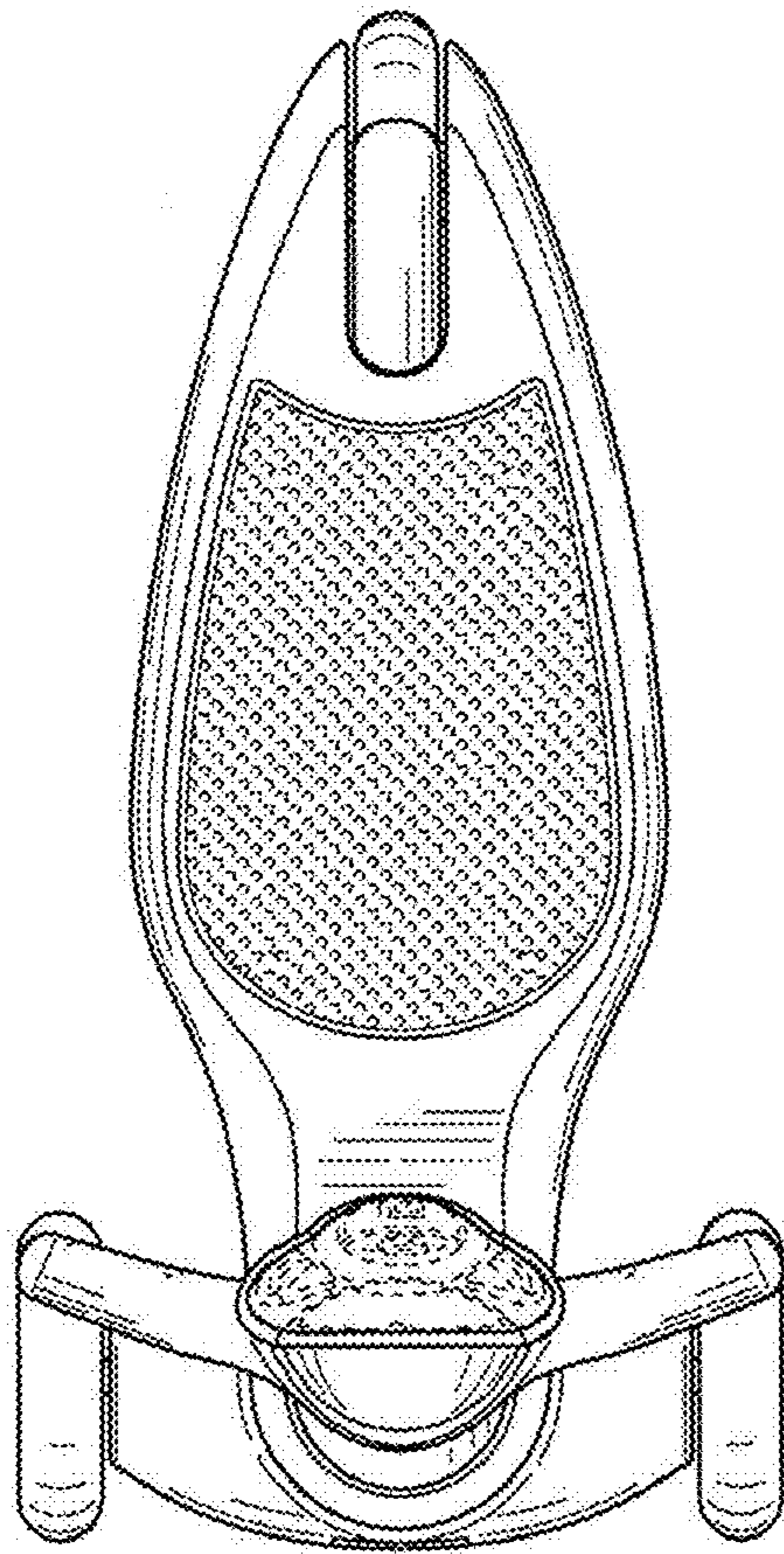


FIG. 5

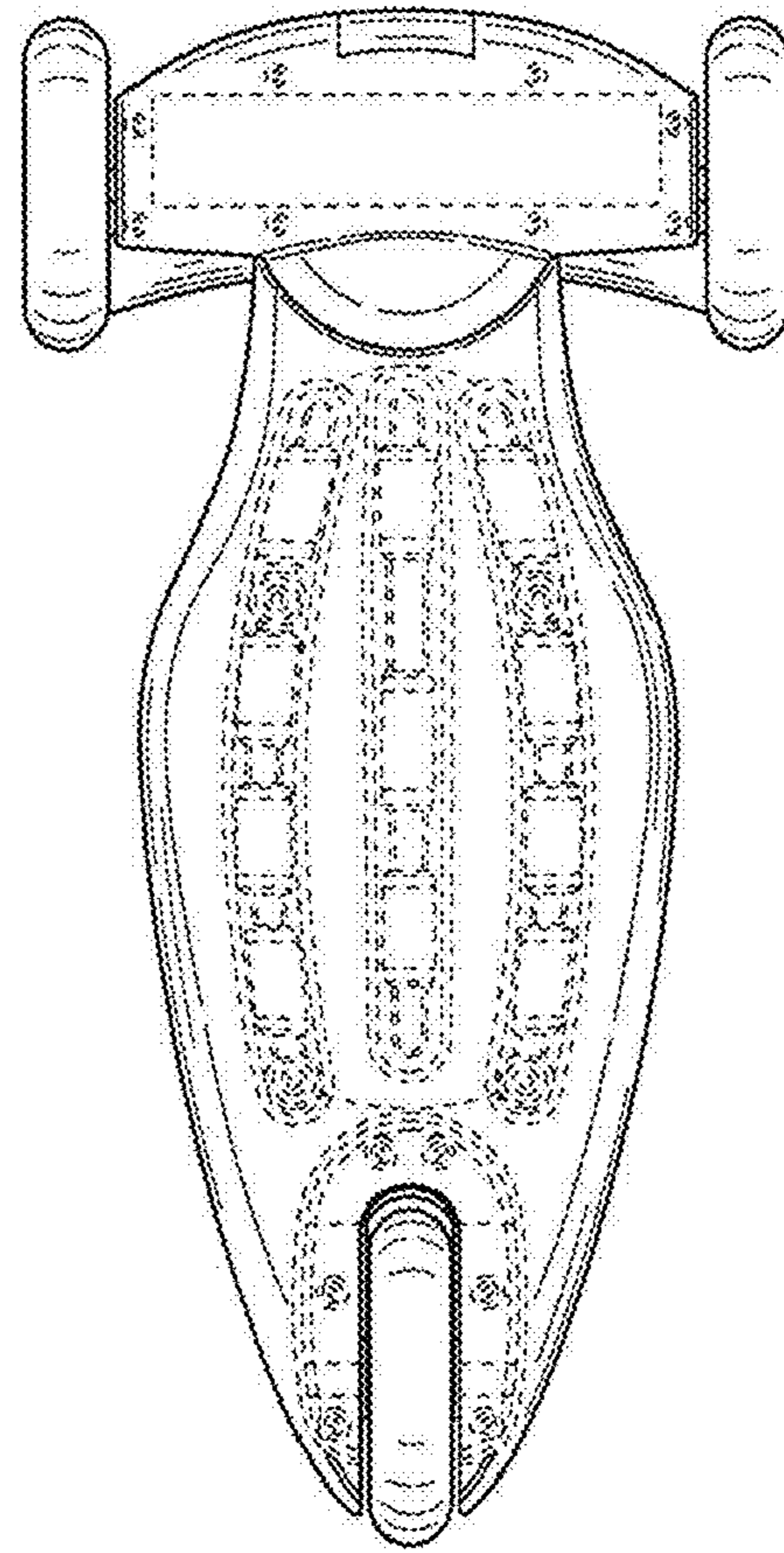


FIG. 6



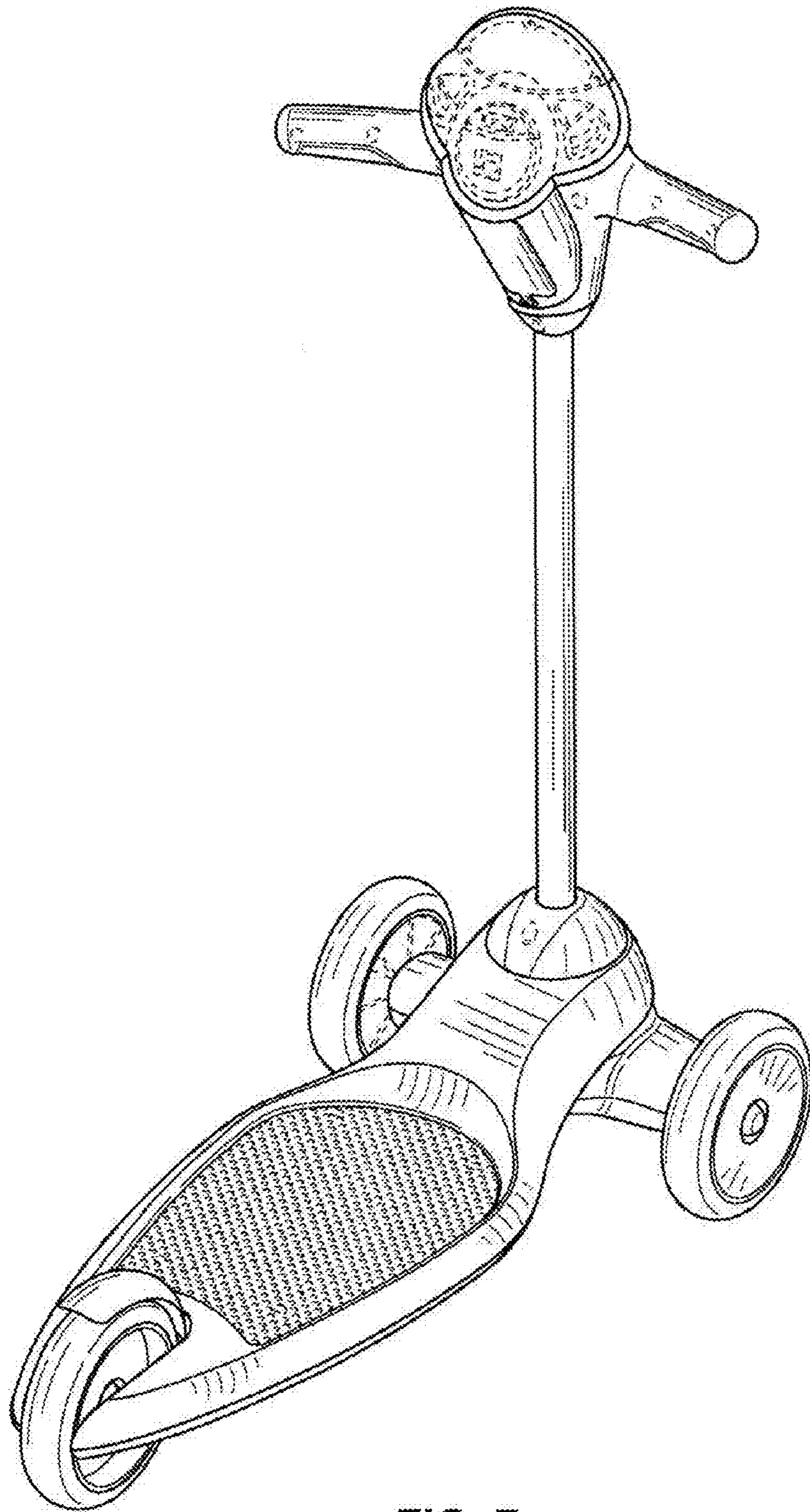


FIG. 7