



US00D654963S

(12) **United States Design Patent**
Powers et al.

(10) **Patent No.:** **US D654,963 S**

(45) **Date of Patent:** **** Feb. 28, 2012**

(54) **SCOOTER**

(75) Inventors: **Katherine Powers**, Chicago, IL (US);
Emily Rivard, Chicago, IL (US); **Todd Herlitz**, Chicago, IL (US)

(73) Assignee: **Radio Flyer Inc**, Chicago, IL (US)

(**) Term: **14 Years**

(21) Appl. No.: **29/393,131**

(22) Filed: **May 31, 2011**

(51) **LOC (9) Cl.** **21-01**

(52) **U.S. Cl.** **D21/423**

(58) **Field of Classification Search** D21/419,
D21/421, 423, 426, 769, 760, 765, 771, 803;
D12/1, 8; 280/14.21, 14.25, 14.26, 87.041,
280/87.042, 263, 288.1, 288.2, 288.4, 200,
280/214, 809; 180/180, 181

See application file for complete search history.

(56) **References Cited**

U.S. PATENT DOCUMENTS

D438,911 S * 3/2001 Chen D21/423
D438,912 S * 3/2001 Barrera D21/423

D439,623 S * 3/2001 Barrera D21/423
D447,187 S * 8/2001 Powers D21/423
D452,284 S * 12/2001 McGinnis D21/423
D547,388 S * 7/2007 Thomas et al. D21/423
D581,991 S * 12/2008 Armand et al. D21/423

* cited by examiner

Primary Examiner — Cynthia M Chin

(74) *Attorney, Agent, or Firm* — R. Blake Johnston, Esq.;
DLA Piper LLP US

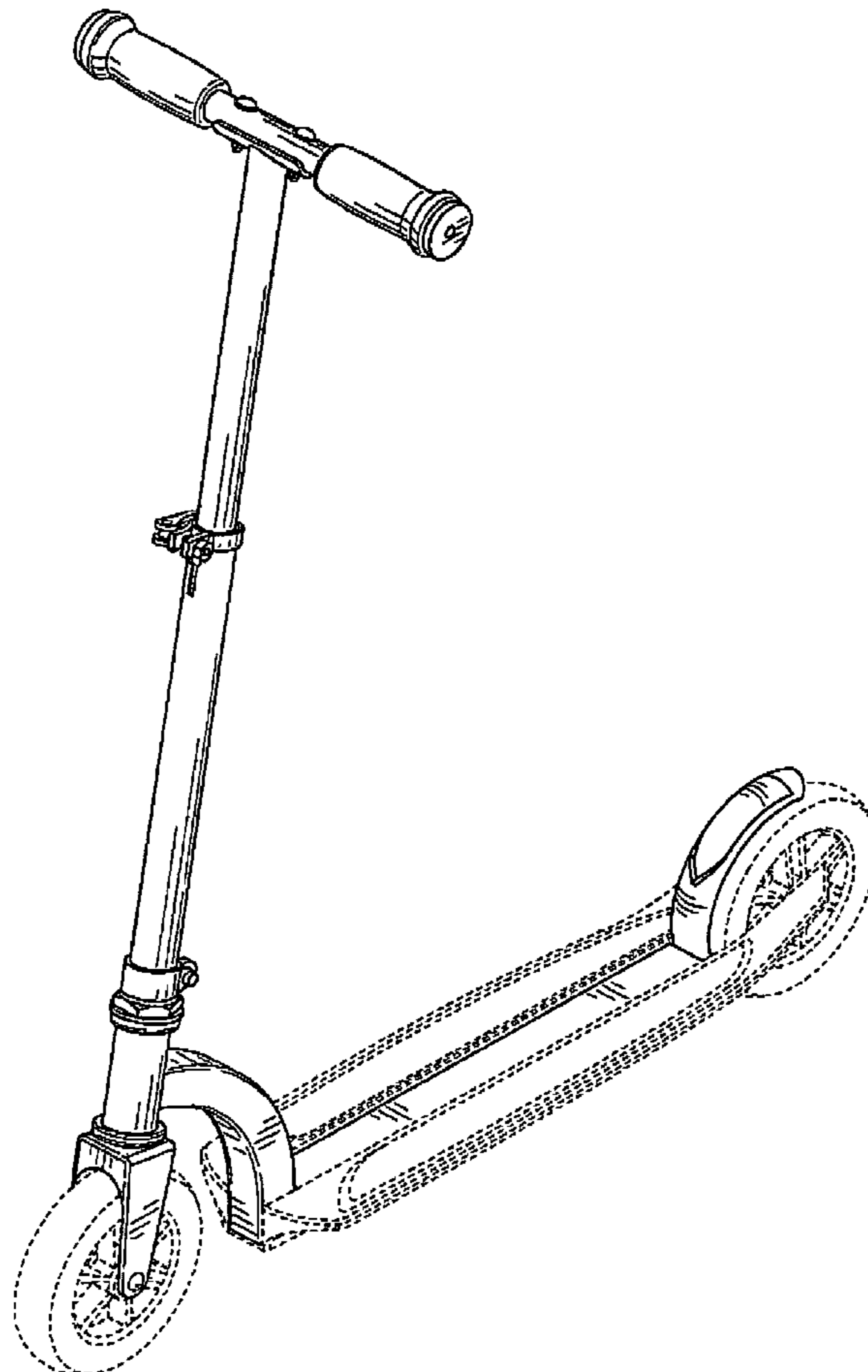
(57) **CLAIM**

The ornamental design for a scooter, as shown and described.

DESCRIPTION

FIG. 1 is a perspective view of the scooter;
FIG. 2 is a front elevational view of the scooter;
FIG. 3 is a rear elevational view of the scooter;
FIG. 4 is a left side elevational view of the scooter;
FIG. 5 is a right side elevational view of the scooter;
FIG. 6 is a top plan view of the scooter; and,
FIG. 7 is a bottom plan view of the scooter.
The features shown in broken lines form no part of the
claimed design.

1 Claim, 5 Drawing Sheets



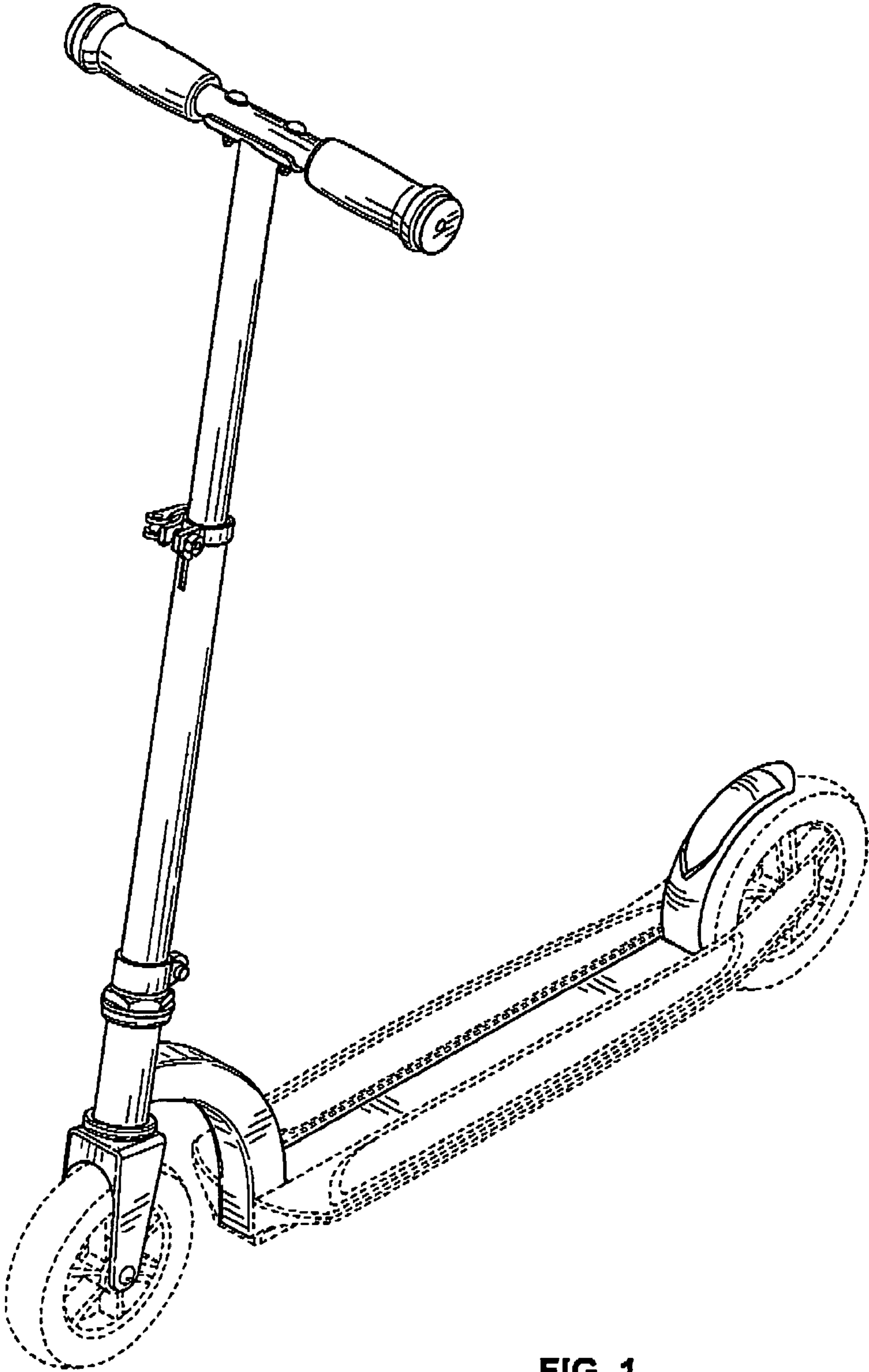


FIG. 1

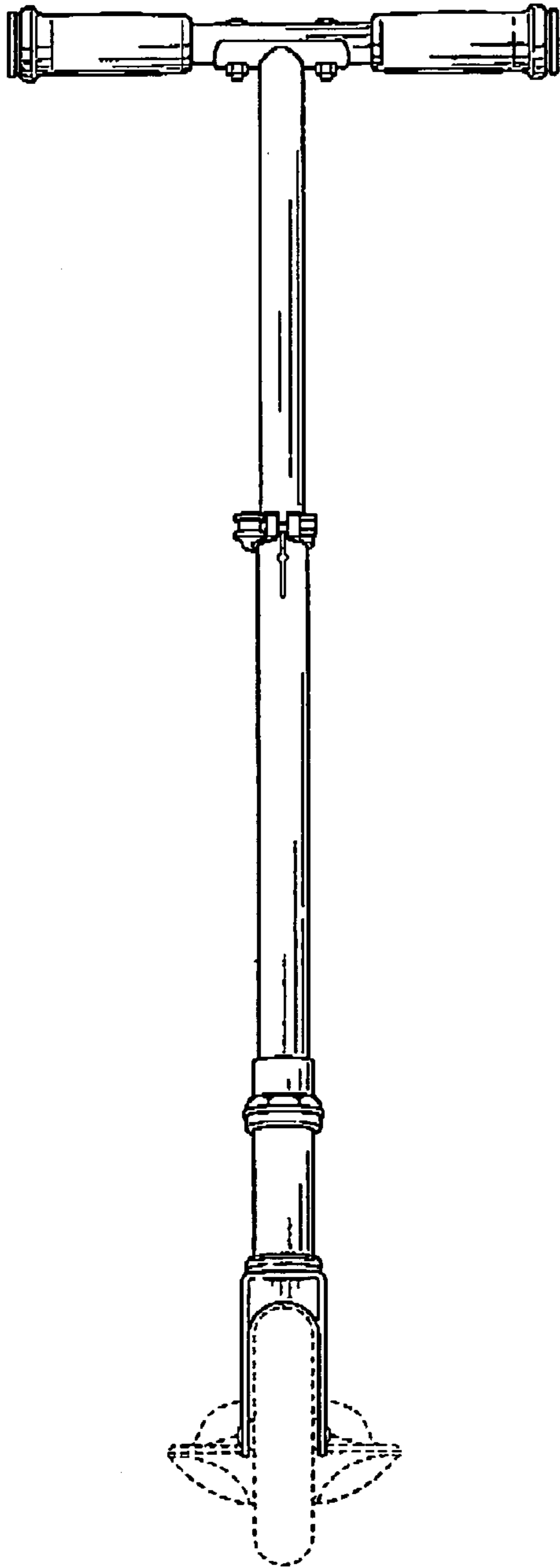


FIG. 2

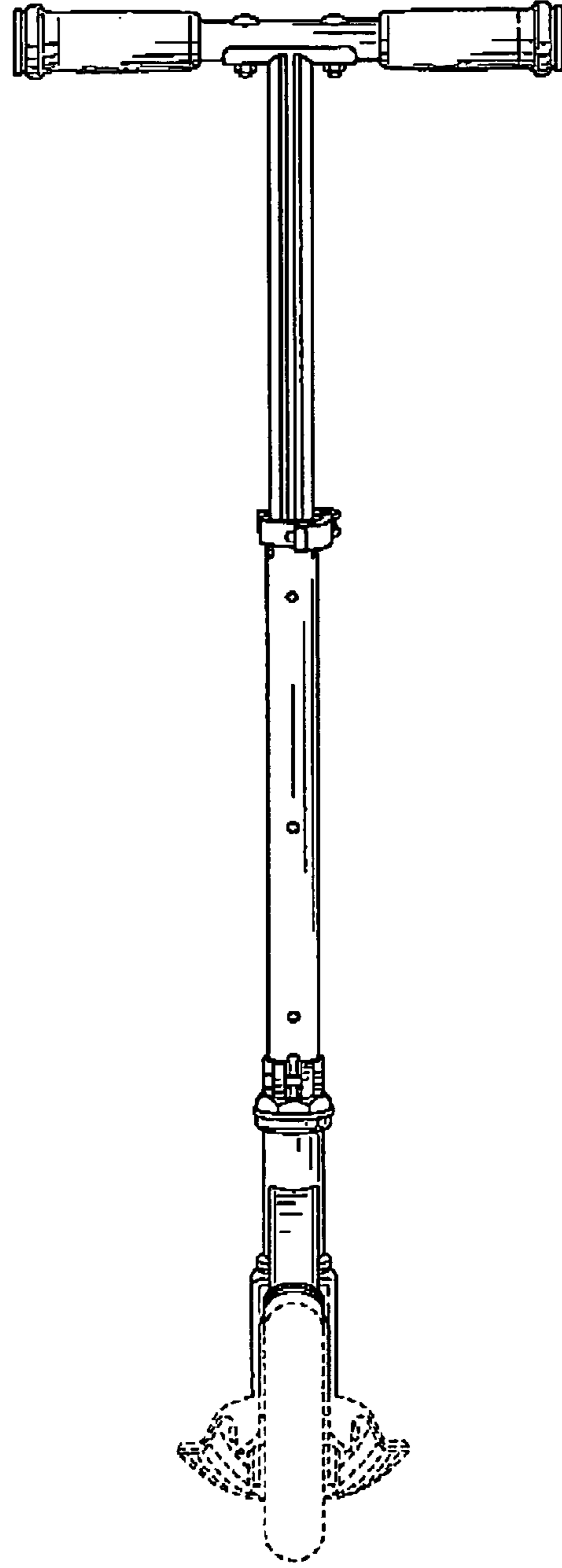


FIG. 3

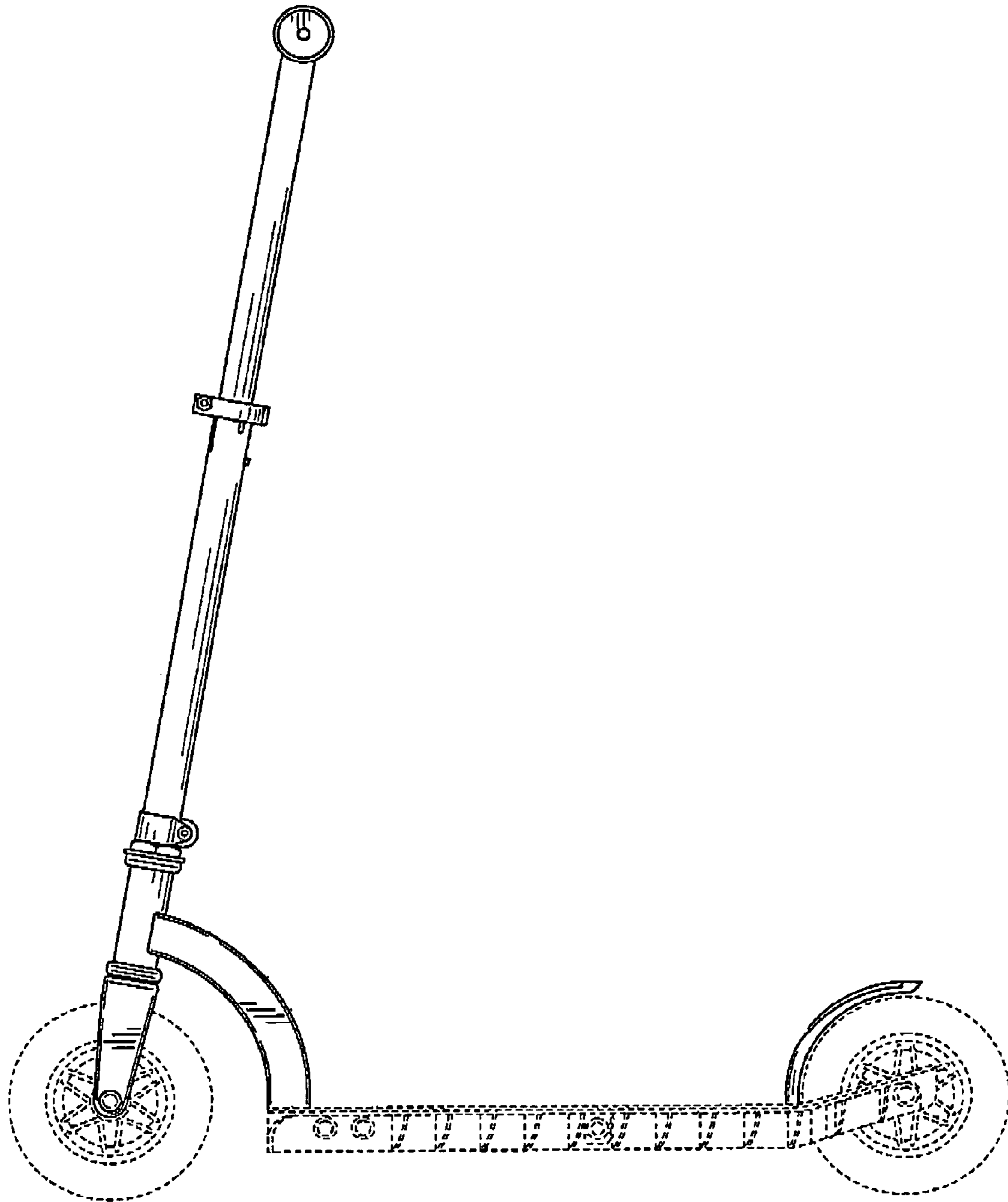


FIG. 4

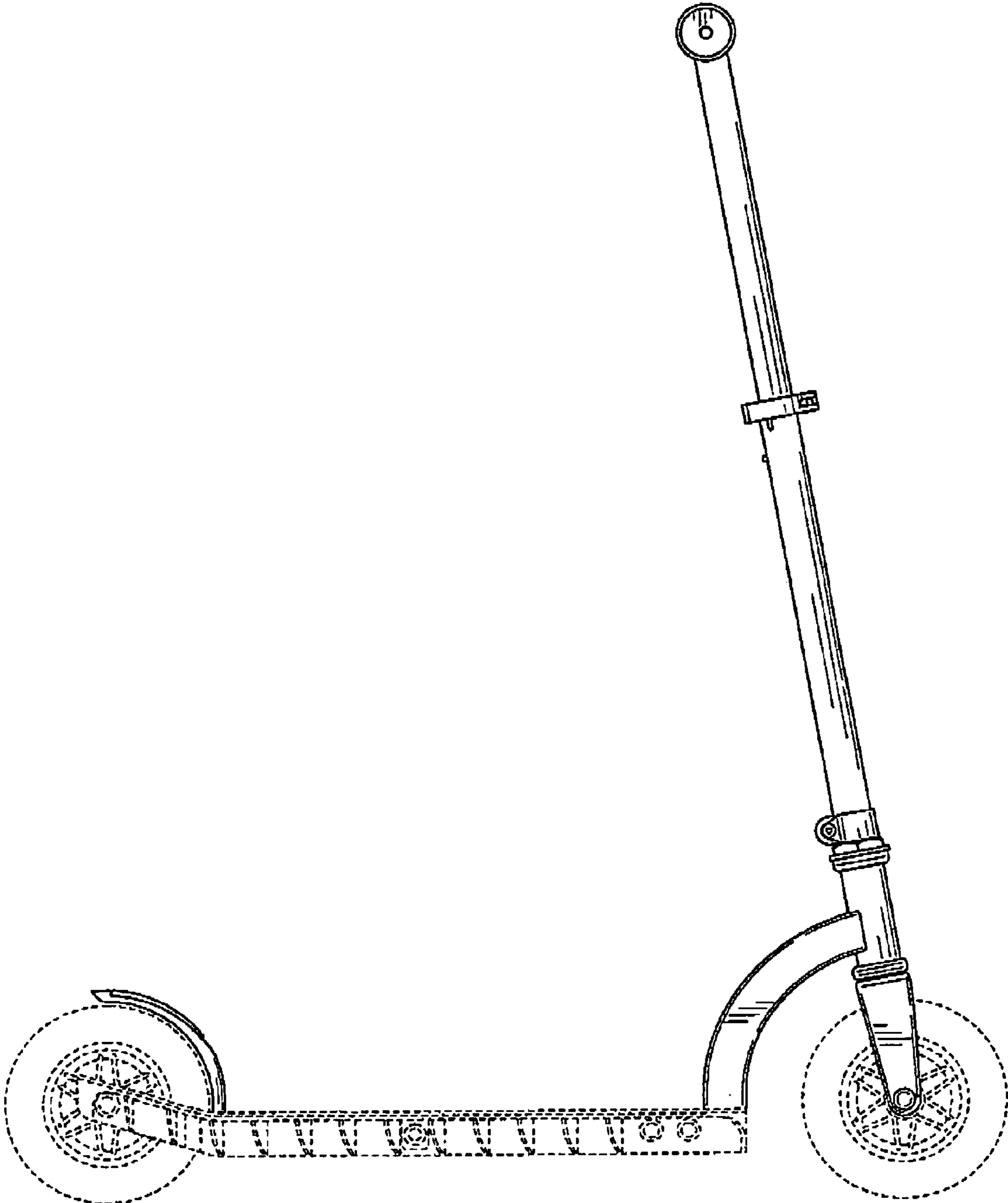


FIG. 5

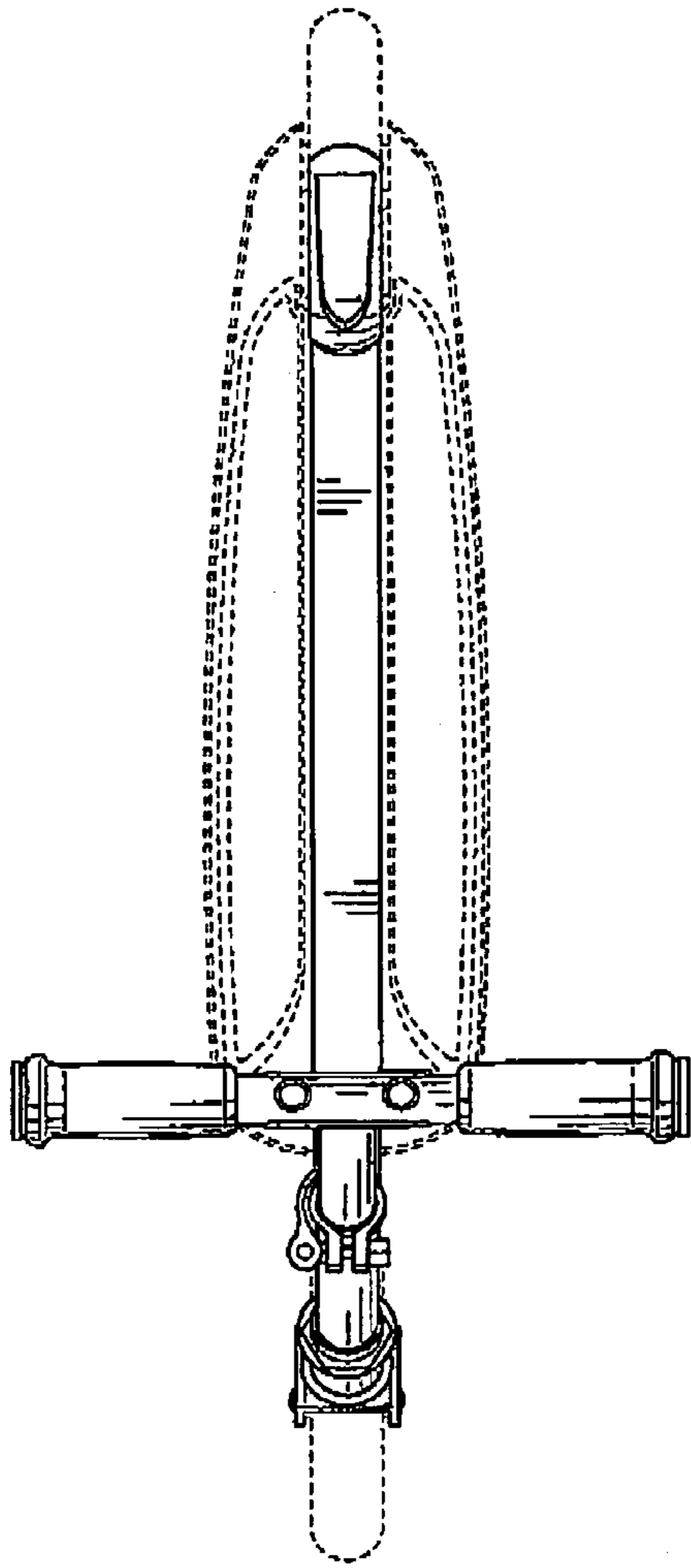


FIG. 6

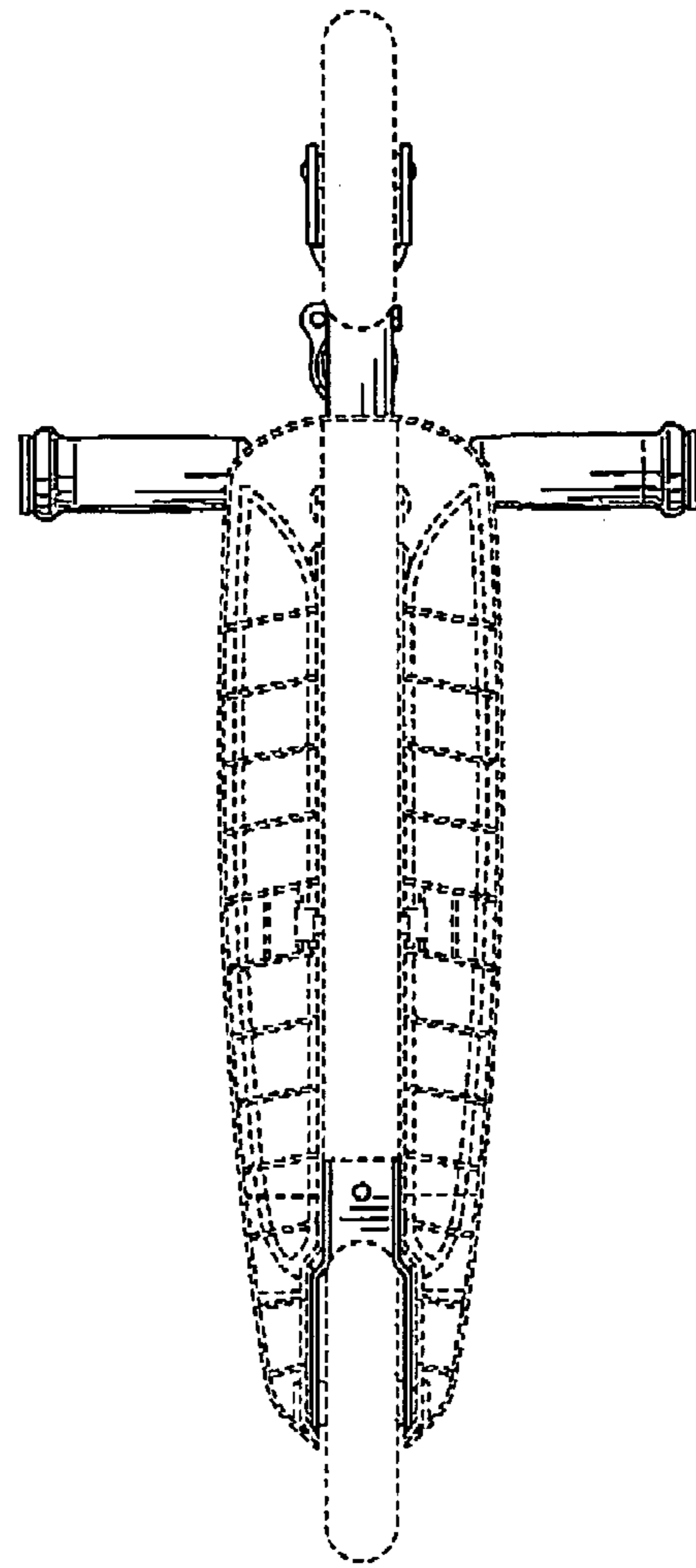


FIG. 7