



US00D654962S

(12) **United States Design Patent**  
**Scolari et al.**

(10) **Patent No.:** **US D654,962 S**  
(45) **Date of Patent:** **\*\* Feb. 28, 2012**

- (54) **FRAME**
- (75) Inventors: **Nathan Anthony Scolari**, Greenville, SC (US); **Robert Wayne Lewis, Jr.**, Duncan, SC (US)
- (73) Assignee: **Zike, LLC**, Greenville, SC (US)
- (\*\*) Term: **14 Years**
- (21) Appl. No.: **29/389,793**
- (22) Filed: **Apr. 15, 2011**
- (51) **LOC (9) Cl.** ..... **21-01**
- (52) **U.S. Cl.** ..... **D21/423**
- (58) **Field of Classification Search** ..... D21/419, D21/421, 423, 426-428, 435, 668-671, 760, D21/765, 771; D12/1, 8, 108, 112, 113; 280/8, 14.21, 14.25, 14.26, 87.041, 87.042, 280/200, 214, 220, 221, 239, 263, 288.1, 280/288.2, 288.4, 809; 180/180, 181  
See application file for complete search history.

D425,944 S *	5/2000	Lee	.....	D21/423
D446,260 S *	8/2001	Bang	.....	D21/423
6,273,439 B1 *	8/2001	Ray et al.	.....	280/87.041
D457,197 S *	5/2002	Becker	.....	D21/423
D476,041 S *	6/2003	Phillips	.....	D21/423
D481,422 S *	10/2003	Chen	.....	D21/423
D495,374 S *	8/2004	Chuang	.....	D21/423
D507,605 S *	7/2005	Iavarone et al.	.....	D21/423
D524,875 S *	7/2006	Lim	.....	D21/423
D527,771 S *	9/2006	Iavarone et al.	.....	D21/423
D528,168 S *	9/2006	Iavarone et al.	.....	D21/423
D638,484 S *	5/2011	Scolari et al.	.....	D21/423

\* cited by examiner

*Primary Examiner* — Cynthia M Chin

(74) *Attorney, Agent, or Firm* — David L King

(57) **CLAIM**

The ornamental design for a frame, as shown and described.

**DESCRIPTION**

FIG. 1 is a perspective view of our new, original and ornamental design;  
 FIG. 2 is a right side view thereof;  
 FIG. 3 is a left side view thereof;  
 FIG. 4 is a top view thereof;  
 FIG. 5 is a bottom view thereof;  
 FIG. 6 is a front view thereof; and,  
 FIG. 7 is a rear view thereof.

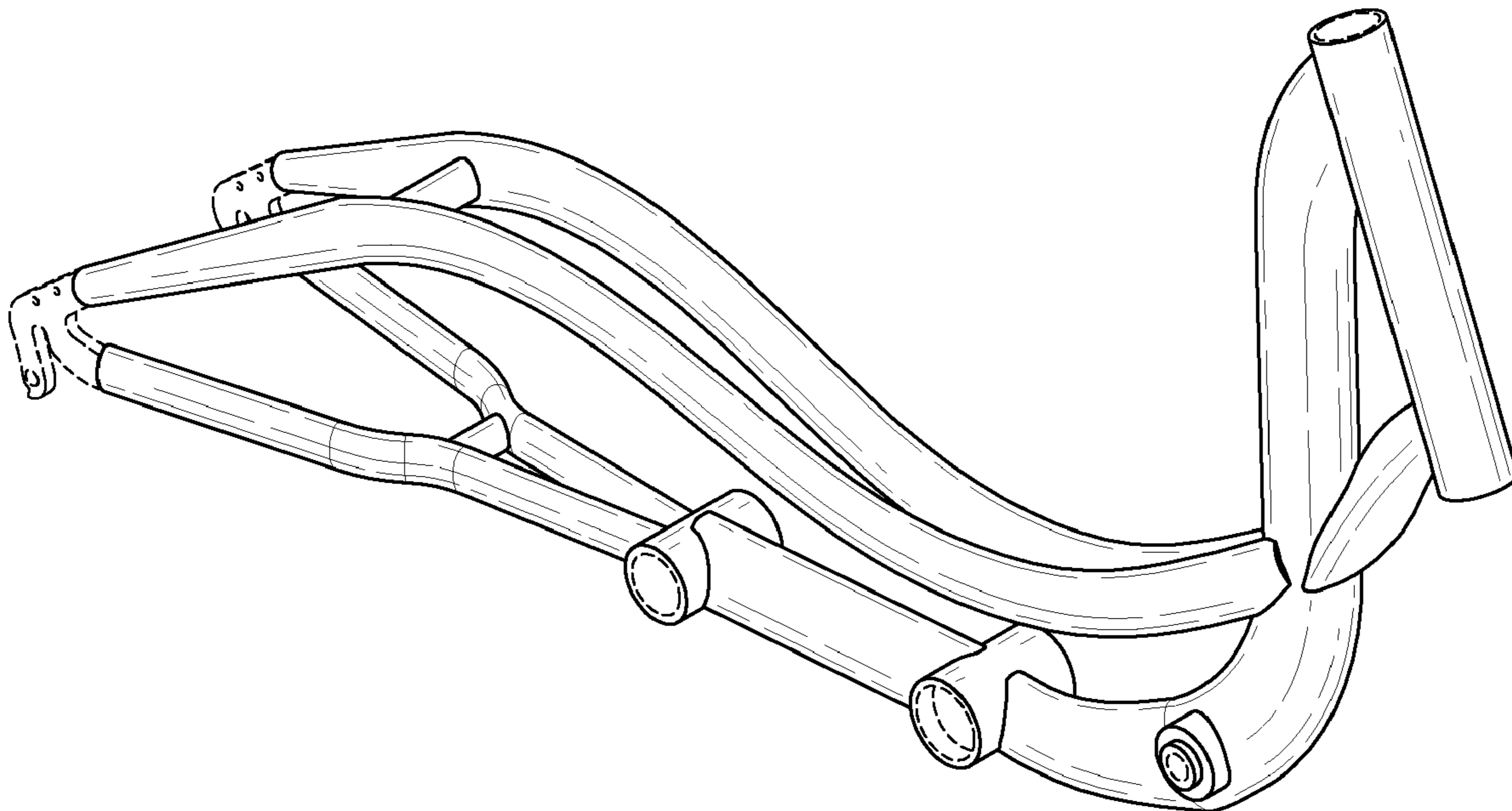
The portions depicting a part of wheel mounting brackets, the inside surfaces of the cylindrical pedal mounts and the inside of the cylindrical steering shaft mount of the frame shown in broken lines form no part of the claim.

**1 Claim, 3 Drawing Sheets**

(56) **References Cited**

**U.S. PATENT DOCUMENTS**

D148,848 S *	3/1948	Gerzari	.....	D21/423
3,486,765 A *	12/1969	Turner	.....	280/278
D300,756 S *	4/1989	Cummings	.....	D21/423
D312,485 S *	11/1990	Turner	.....	D21/423
D392,001 S *	3/1998	Chen	.....	D21/423
5,899,474 A *	5/1999	Grutzik	.....	280/229
D420,942 S *	2/2000	Chen	.....	D12/111



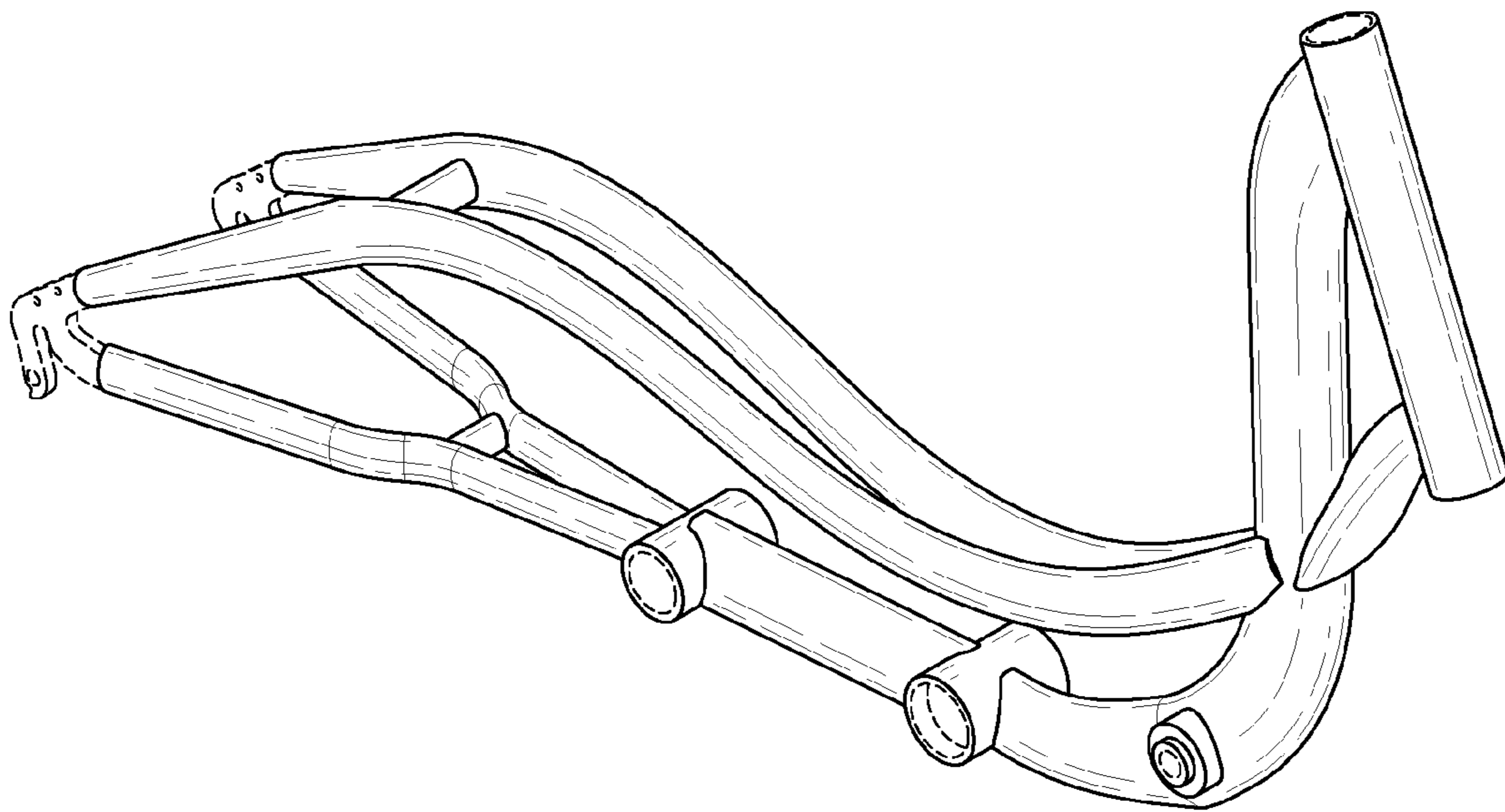


FIG-1

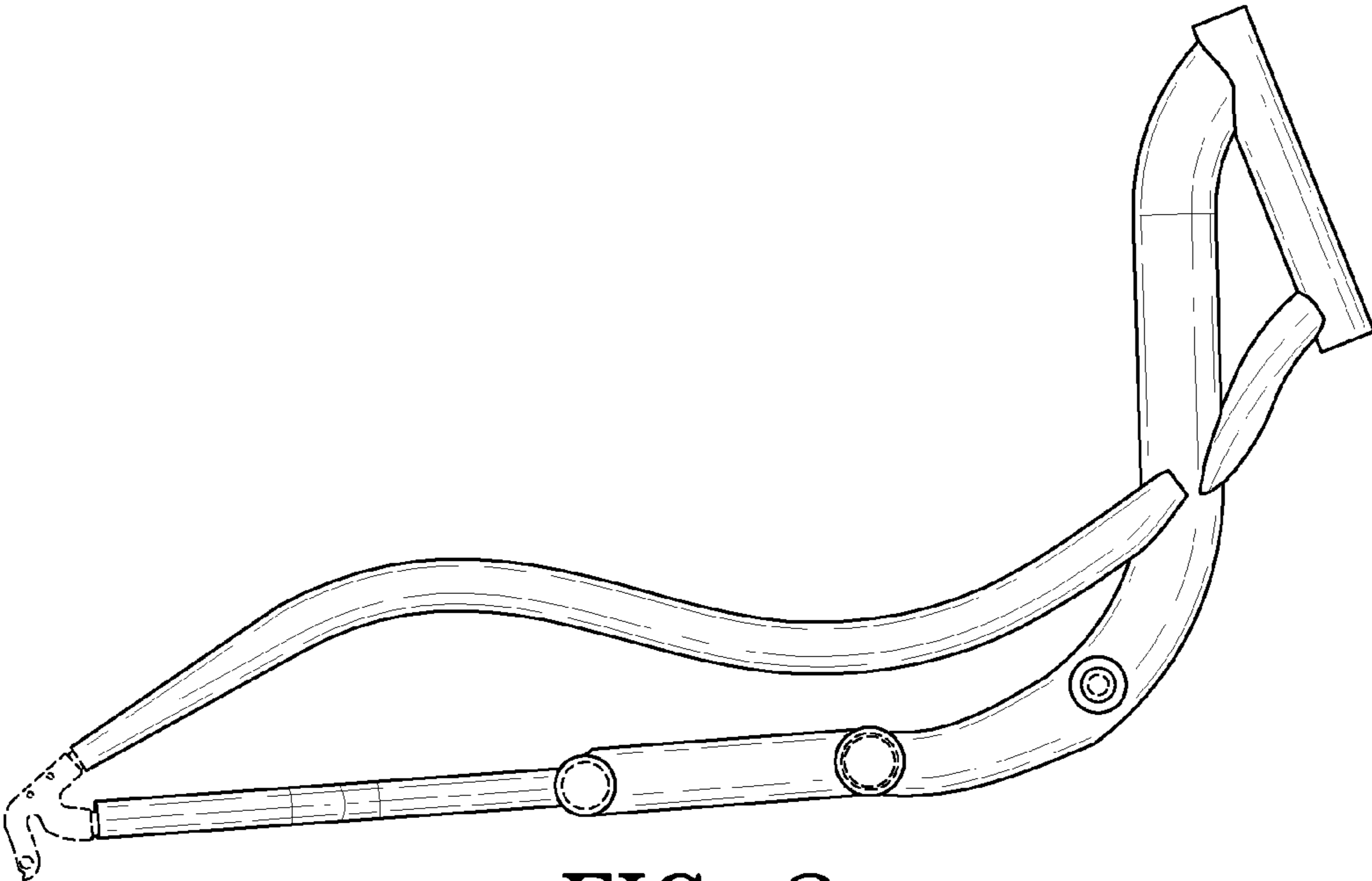


FIG-2

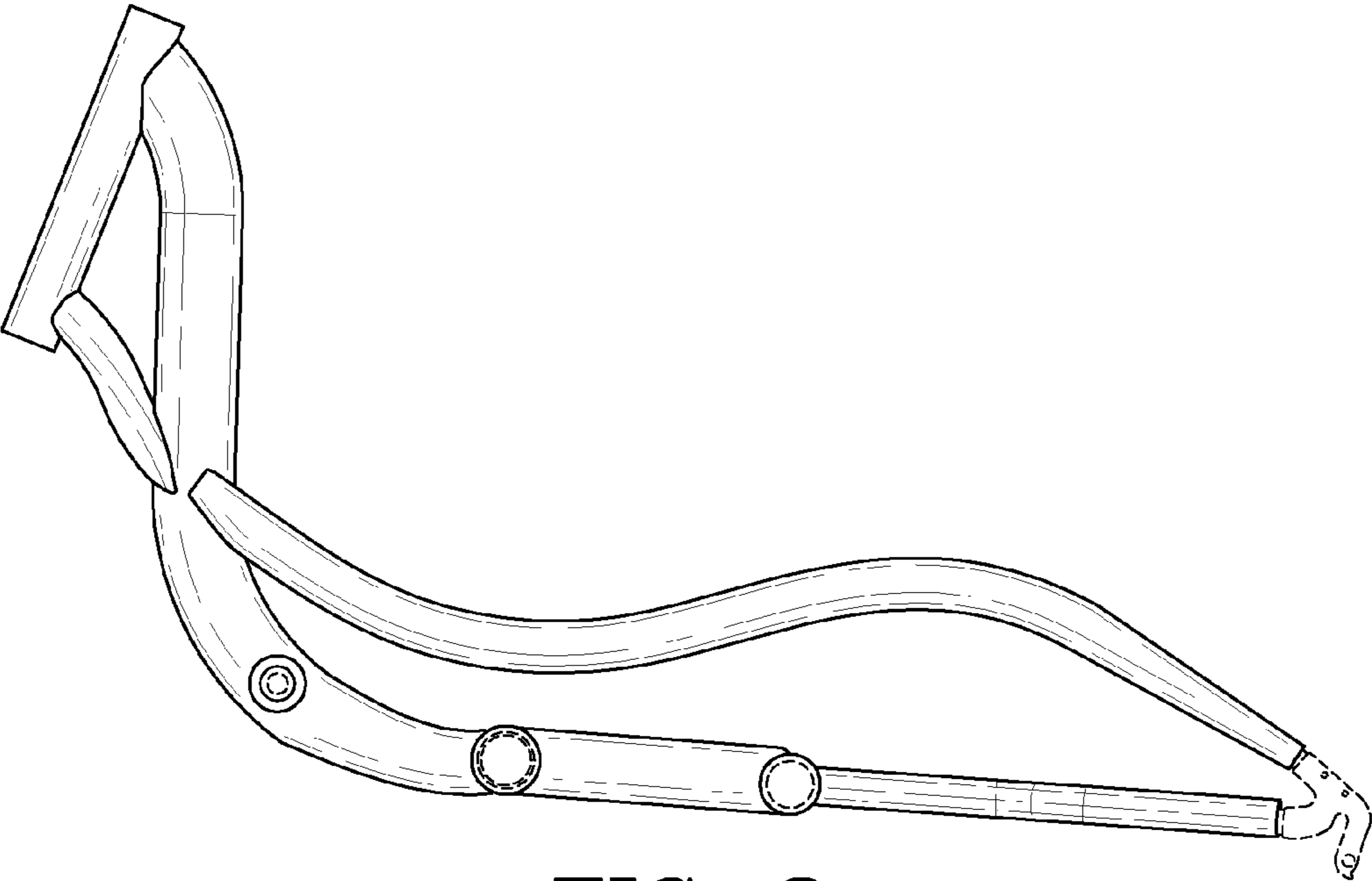


FIG-3

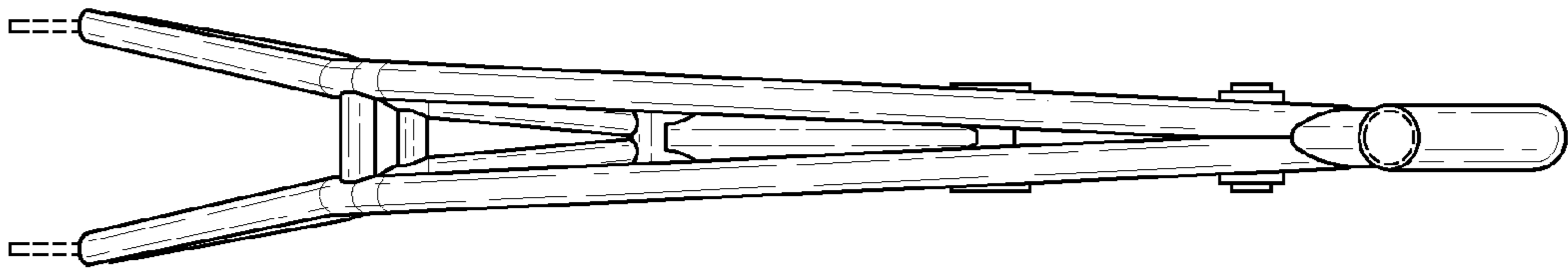


FIG-4

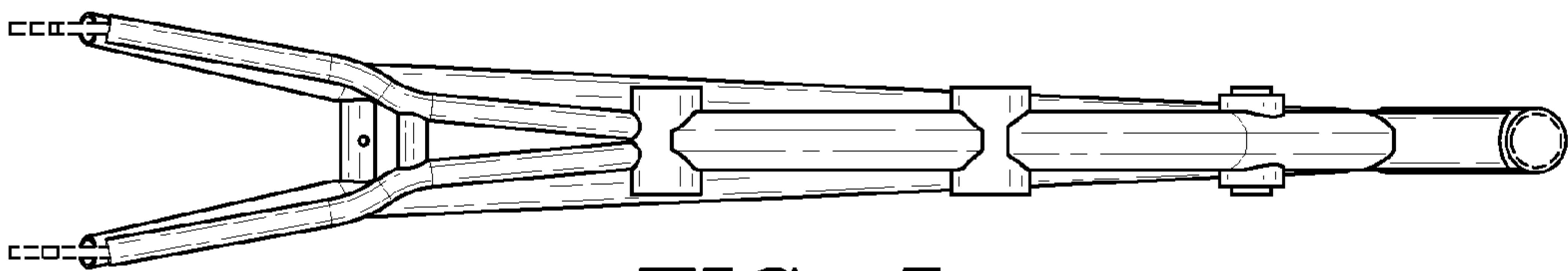


FIG-5

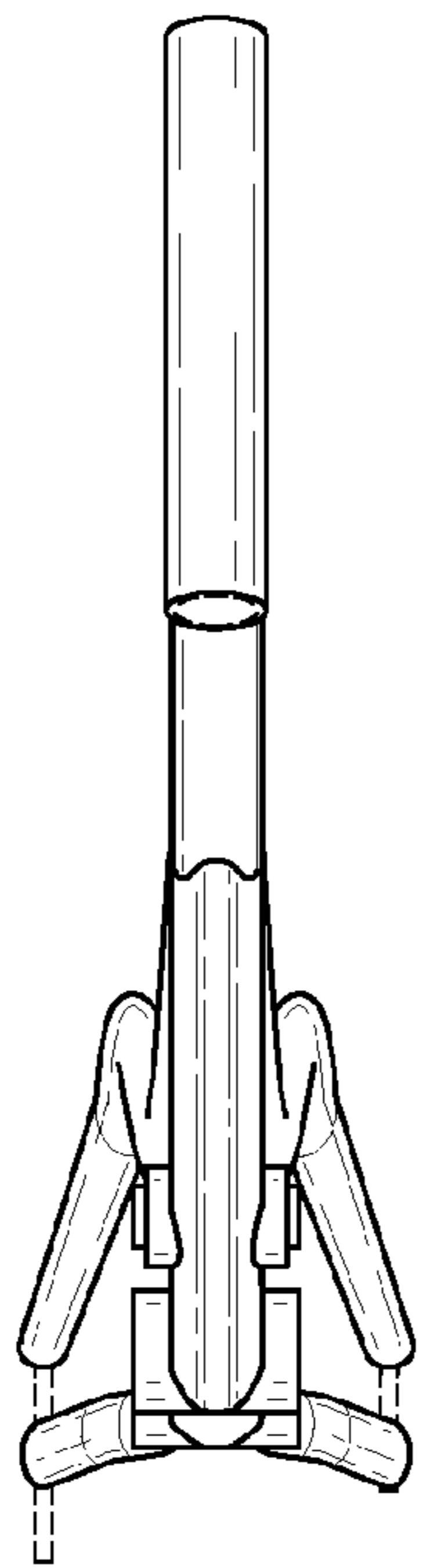


FIG-6

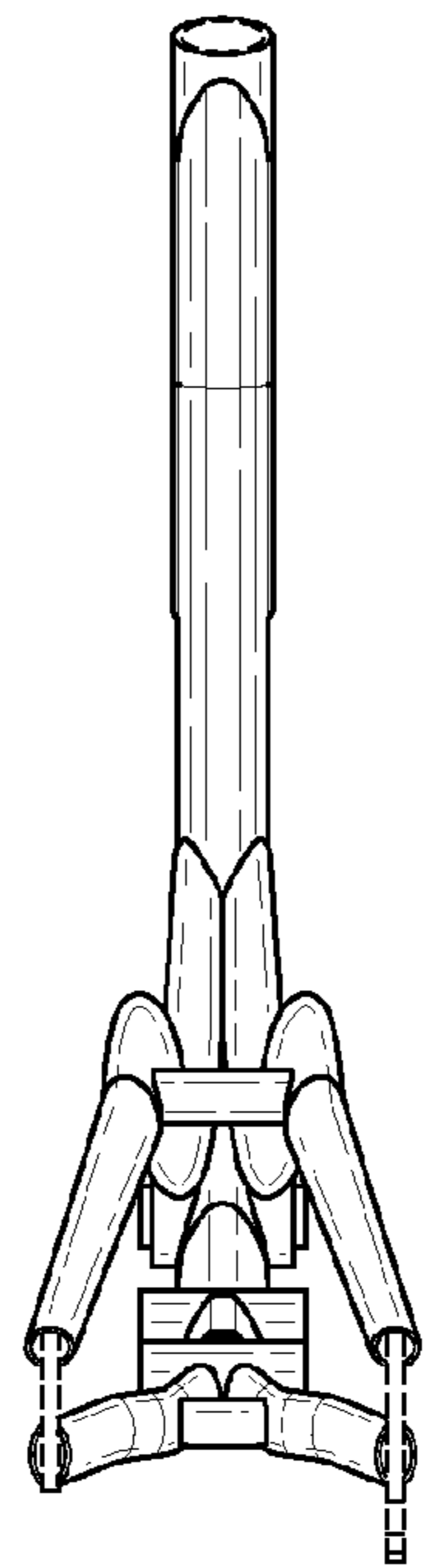


FIG-7