



US00D654961S

(12) **United States Design Patent**
Onodera et al.

(10) **Patent No.:** **US D654,961 S**
(45) **Date of Patent:** **** Feb. 28, 2012**

(54) **TOY BELT**

(75) Inventors: **Akira Onodera**, Tokyo (JP); **Daisuke Kobayashi**, Tokyo (JP)

(73) Assignee: **Kabushiki Kaisha Bandai**, Tokyo (JP)

(**) Term: **14 Years**

(21) Appl. No.: **29/347,307**

(22) Filed: **Nov. 30, 2009**

(30) **Foreign Application Priority Data**

Jun. 1, 2009 (JP) 2009-012256

(51) **LOC (9) Cl.** **21-01**

(52) **U.S. Cl.** **D21/398**; D21/483; D21/579

(58) **Field of Classification Search** D21/398,
D21/404, 405, 475-477, 483, 513, 517, 531,
D21/566, 567, 578-584, 811; D2/627-638;
D11/200, 201, 232, 233, 238, 239, 2-5; D10/31-35;
446/26, 28, 71-73, 76, 81, 227, 397, 404,
446/473, 484, 487, 489, 491
See application file for complete search history.

(56) **References Cited**

U.S. PATENT DOCUMENTS

D32,841 S *	6/1900	Sanders	D2/631
D284,357 S *	6/1986	Nakane	D10/33
D284,948 S *	8/1986	Ogawa	D10/34
D286,664 S *	11/1986	Matsuda	D21/580
D287,698 S *	1/1987	Ogawa	D10/35
D291,973 S *	9/1987	Doi	D10/33
D369,751 S *	5/1996	Boyer et al.	D10/31

FOREIGN PATENT DOCUMENTS

CN	3410653	*	12/2004
CN	300894294	*	3/2009
JP	D1312349	*	10/2007
KR	300494274.0000	*	6/2008

* cited by examiner

Primary Examiner — Catherine Tuttle

(74) *Attorney, Agent, or Firm* — Rabin & Berdo, PC

(57) **CLAIM**

The ornamental design for a toy belt, as shown and described.

DESCRIPTION

FIG. 1 is a bottom plan view of the toy belt showing my new design;

FIG. 2 is a front elevational view thereof;

FIG. 3 is a front elevational view similar to FIG. 2, but showing a pair of central parts in an alternate, rotated position;

FIG. 4 is a left side elevational view of FIG. 2;

FIG. 5 is an enlarged scale left side elevational view thereof;

FIG. 6 is a bottom, left and rear perspective view thereof;

FIG. 7 is a bottom, right and rear perspective view thereof;

FIG. 8 is a bottom, front and left perspective view thereof;

FIG. 9 is a bottom, front and right perspective view thereof;

FIG. 10 is a top, left and front perspective view thereof;

FIG. 11 is a top, right and front perspective view thereof;

FIG. 12 is a top, left and rear perspective view thereof;

FIG. 13 is a top, right and rear perspective view thereof;

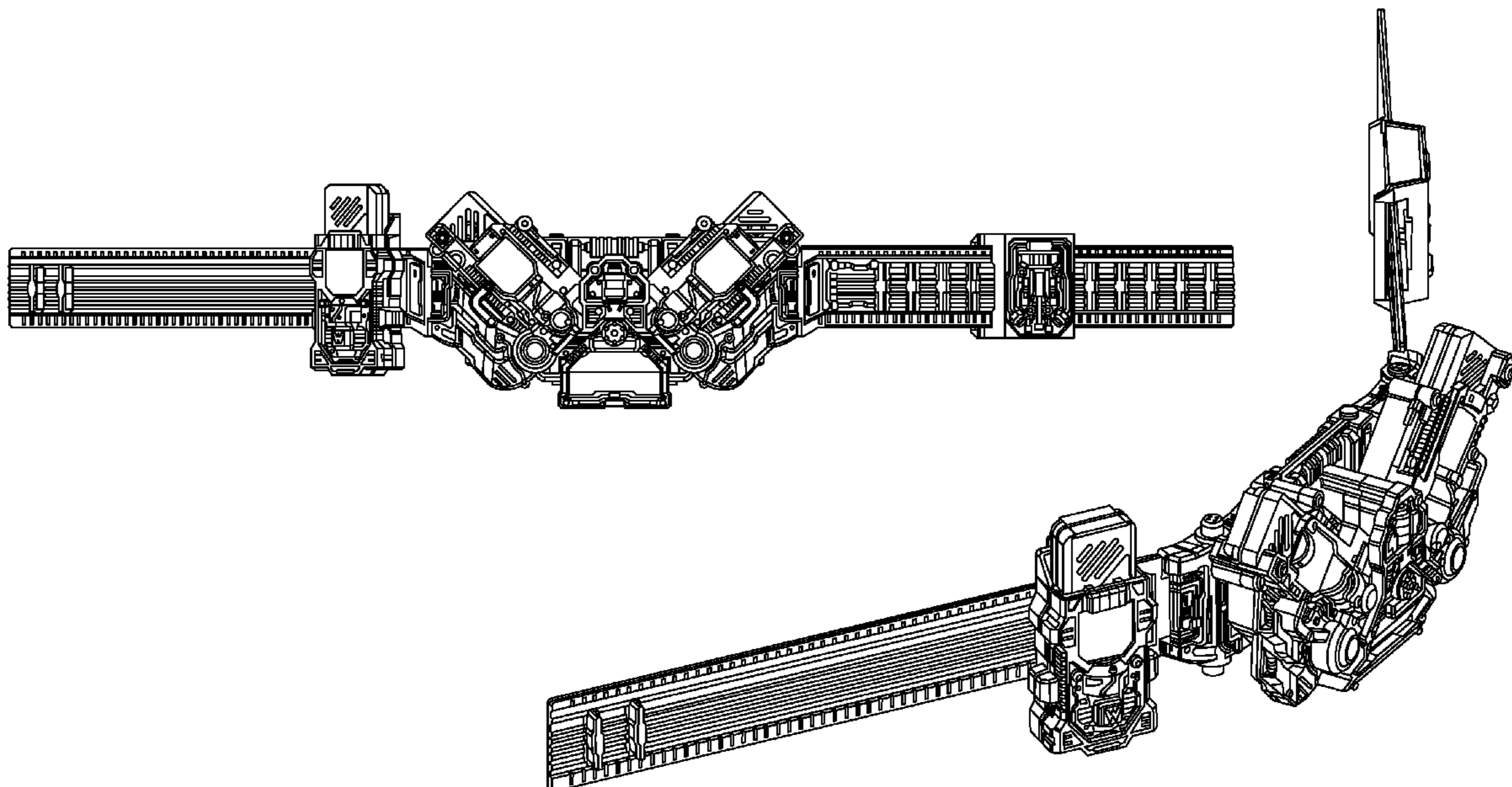
FIG. 14 is a rear elevational view thereof;

FIG. 15 is a top plan view thereof;

FIG. 16 is a right side elevational view thereof; and,

FIG. 17 is an enlarged scale right side elevational view thereof.

1 Claim, 17 Drawing Sheets



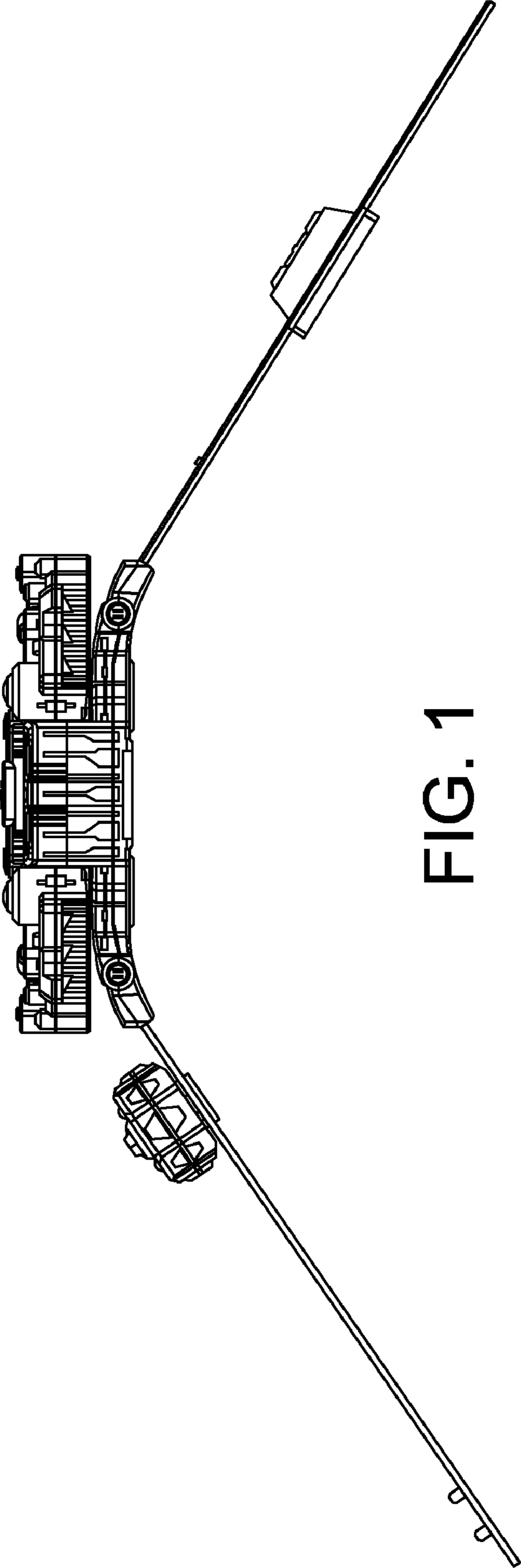


FIG. 1

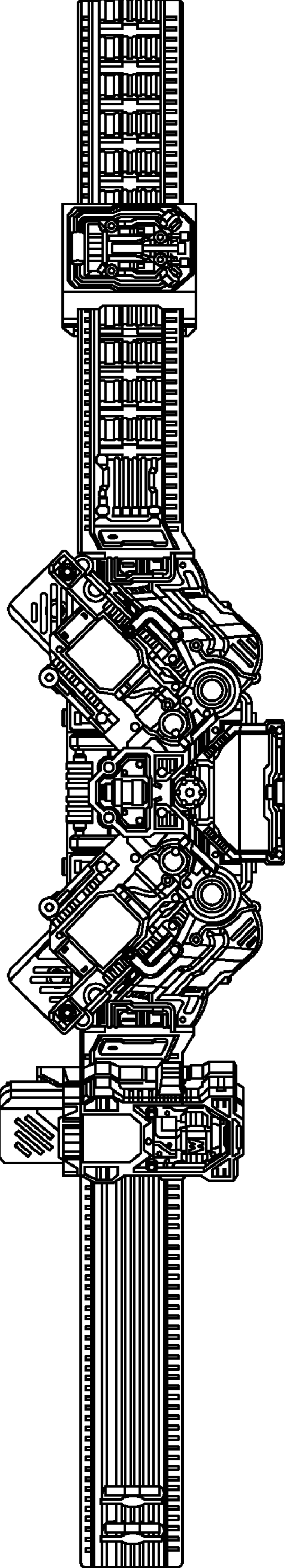


FIG. 2

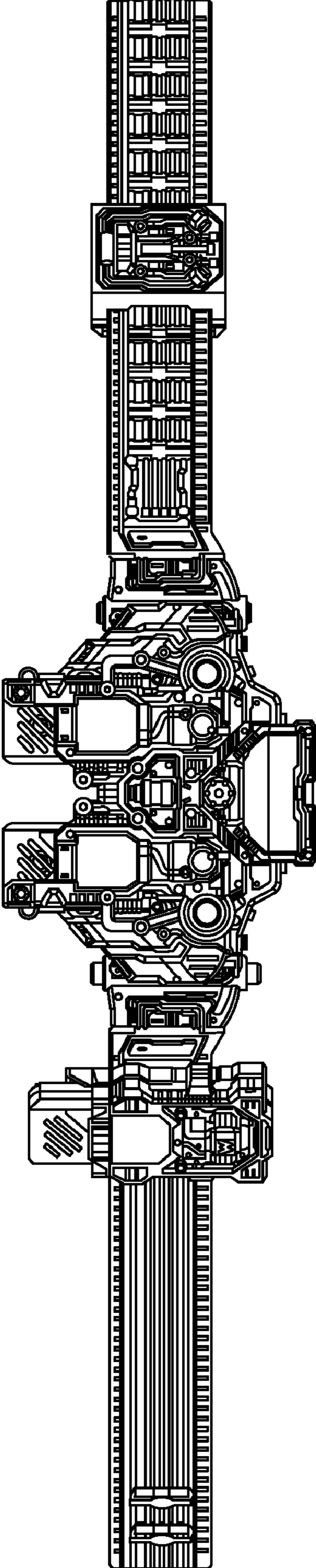


FIG. 3

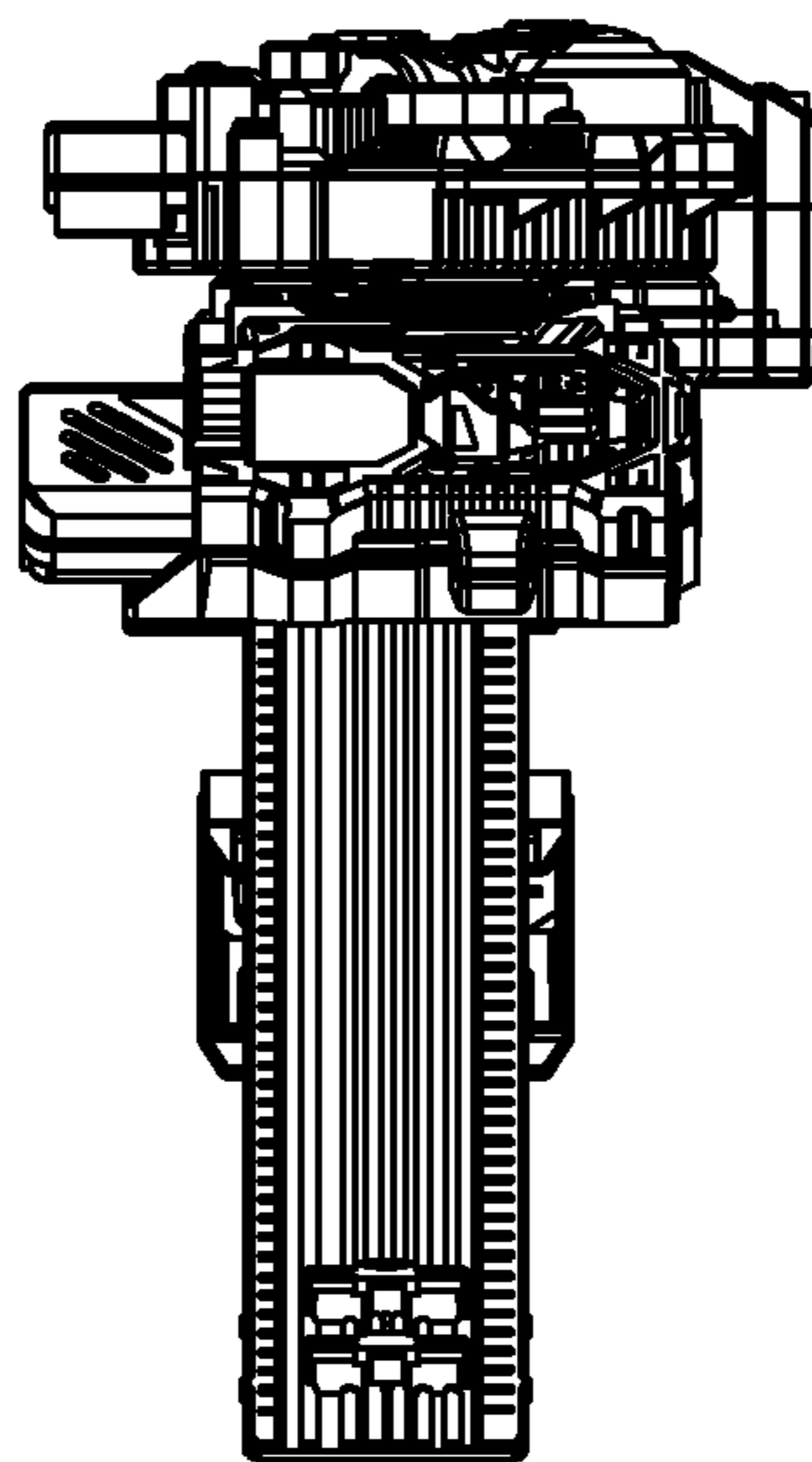


FIG. 4

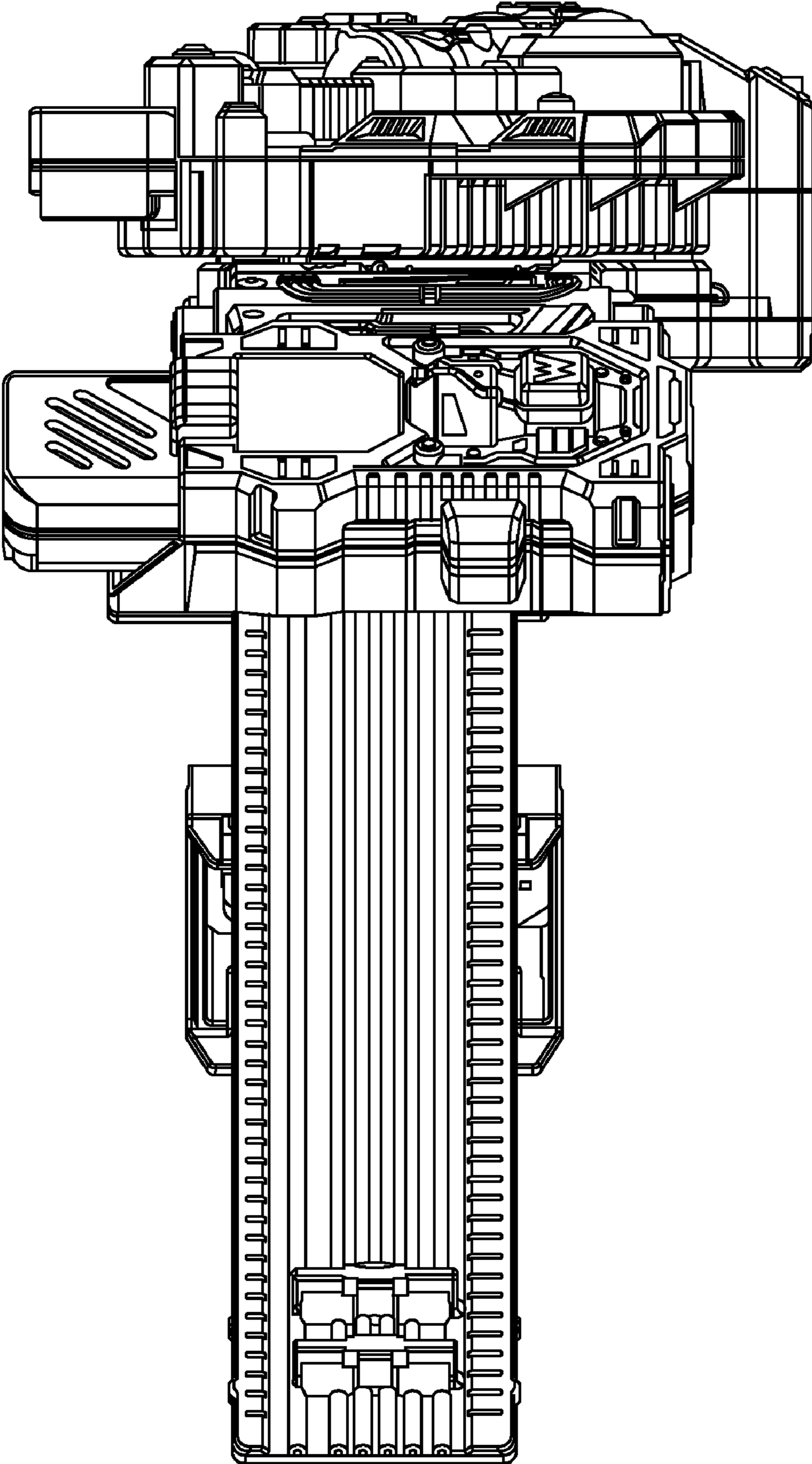


FIG. 5

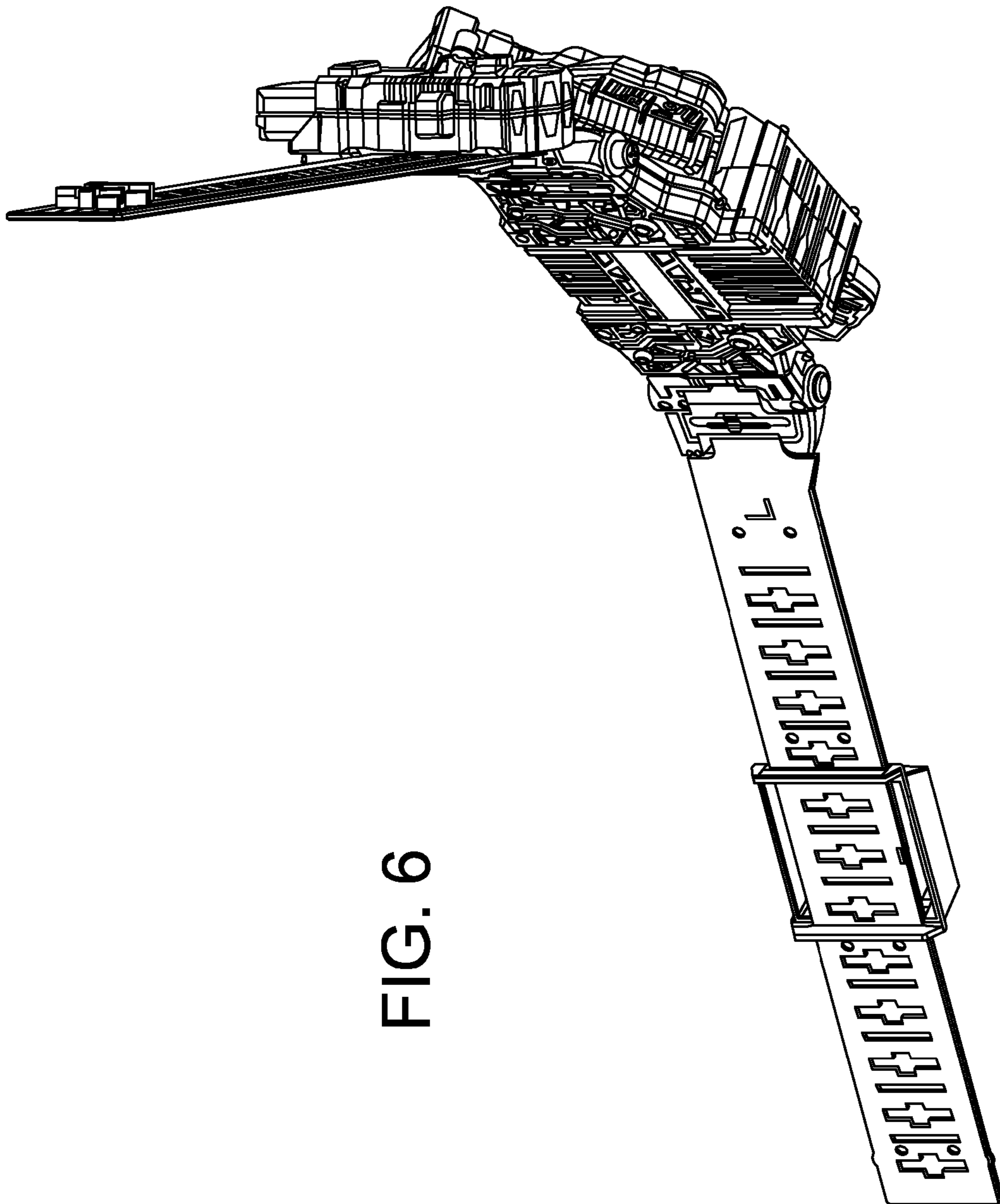
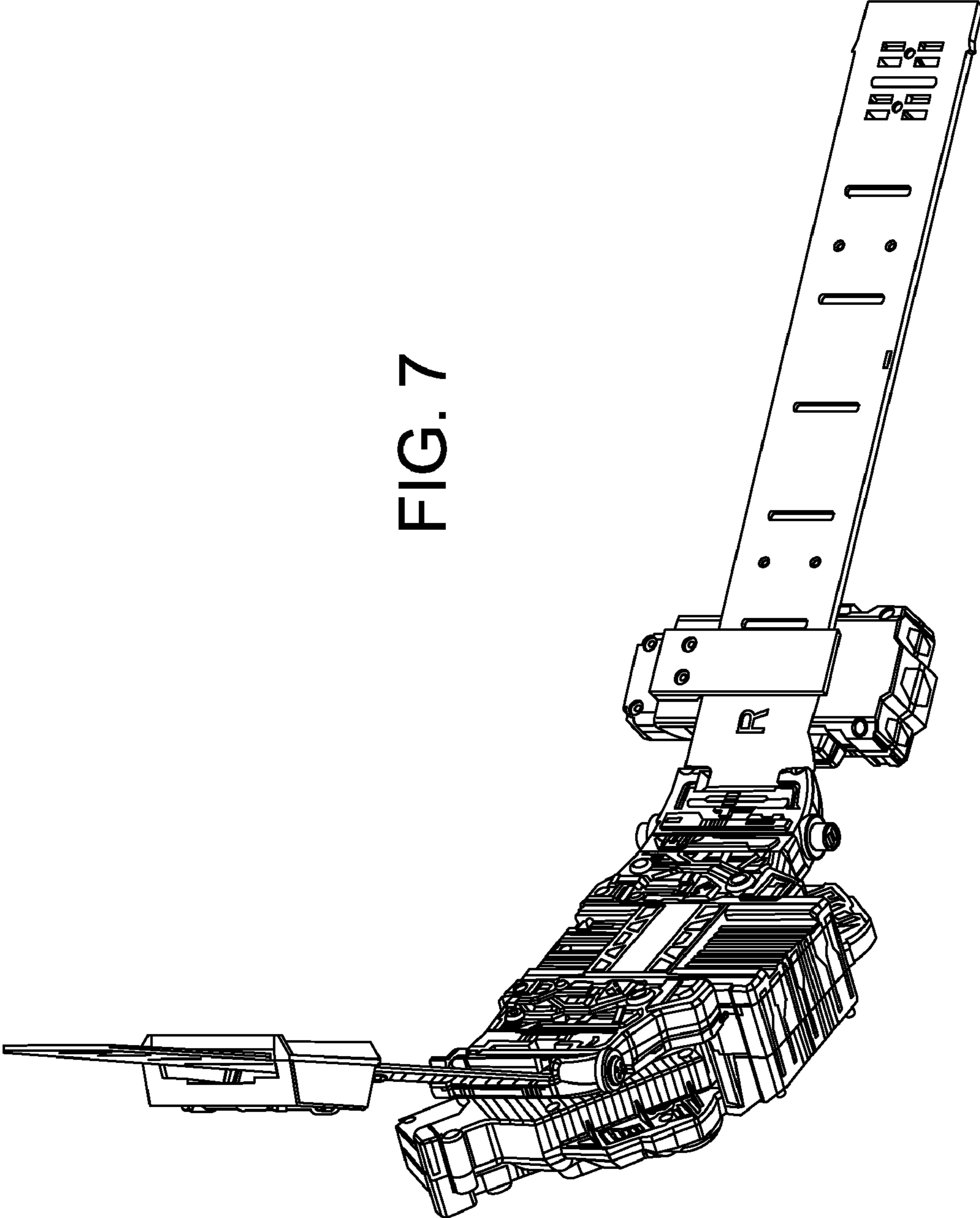


FIG. 6

FIG. 7



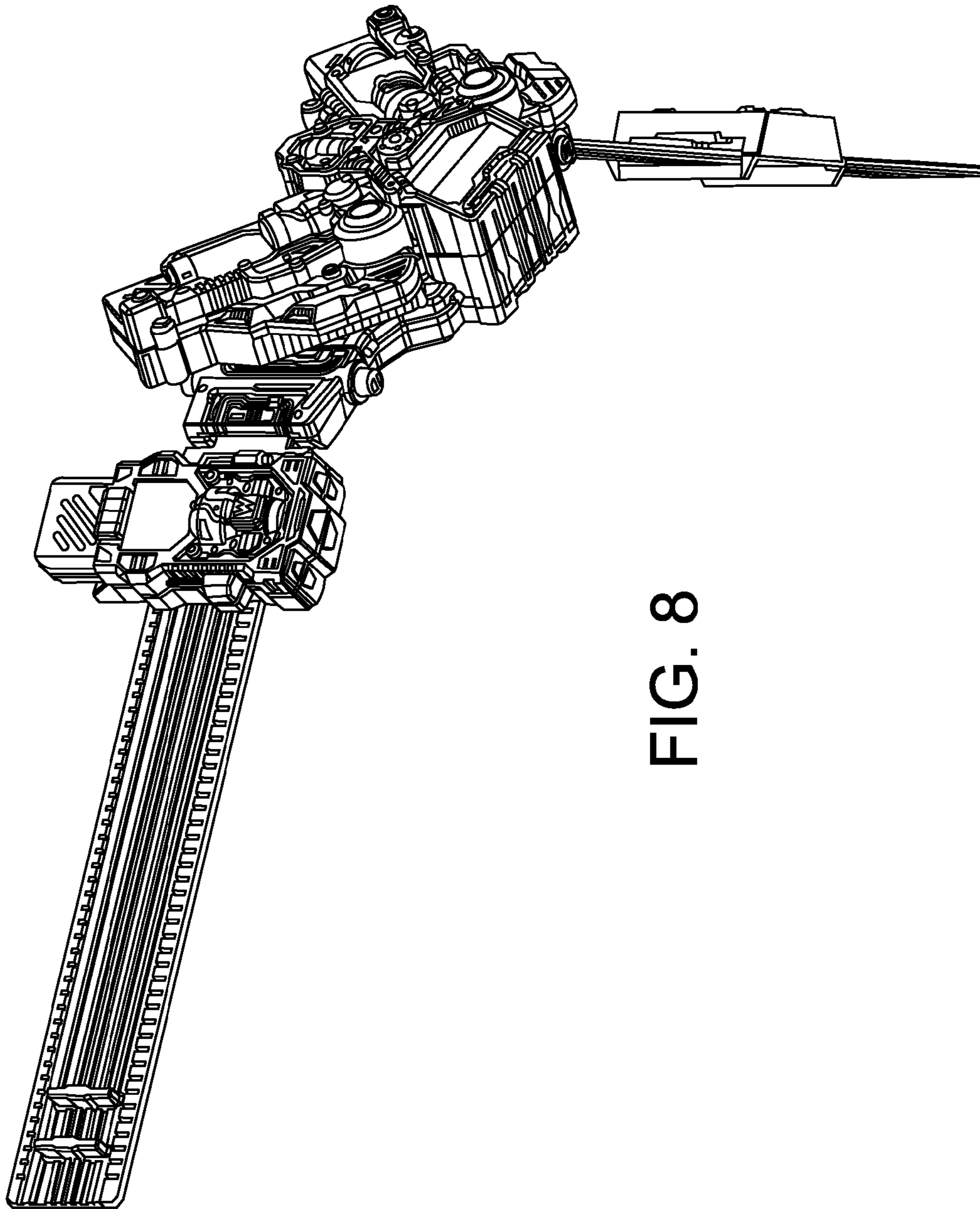


FIG. 8

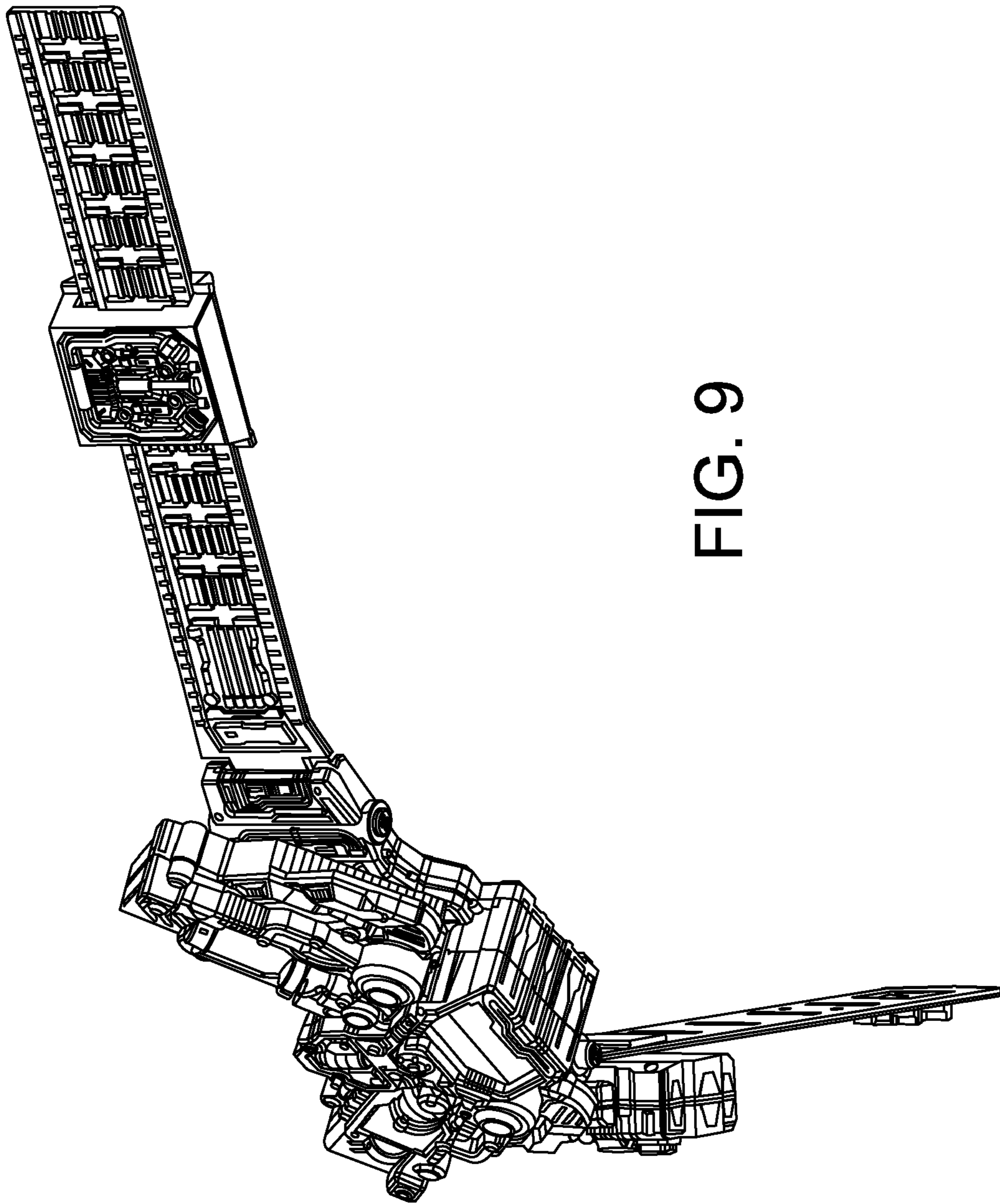


FIG. 9

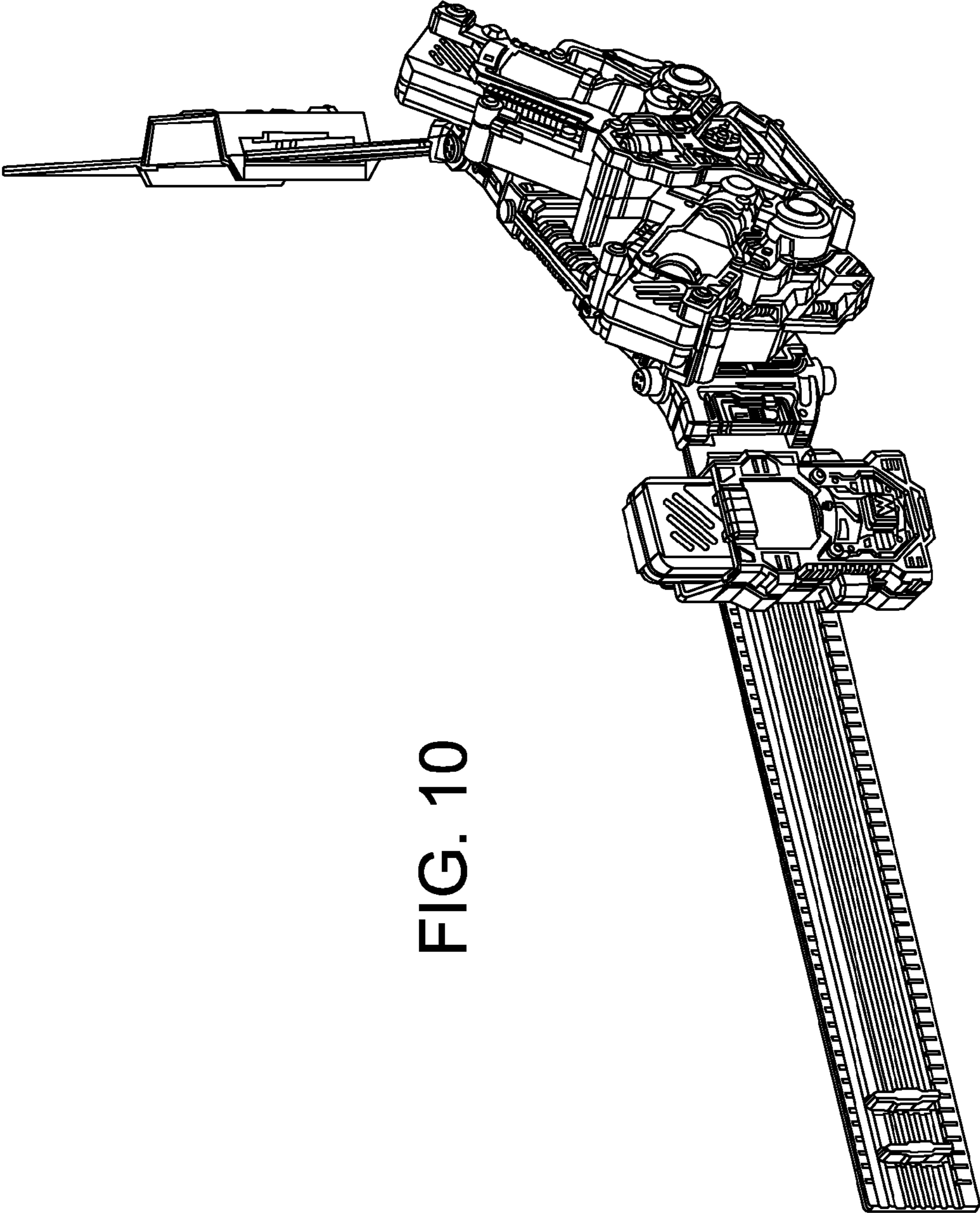
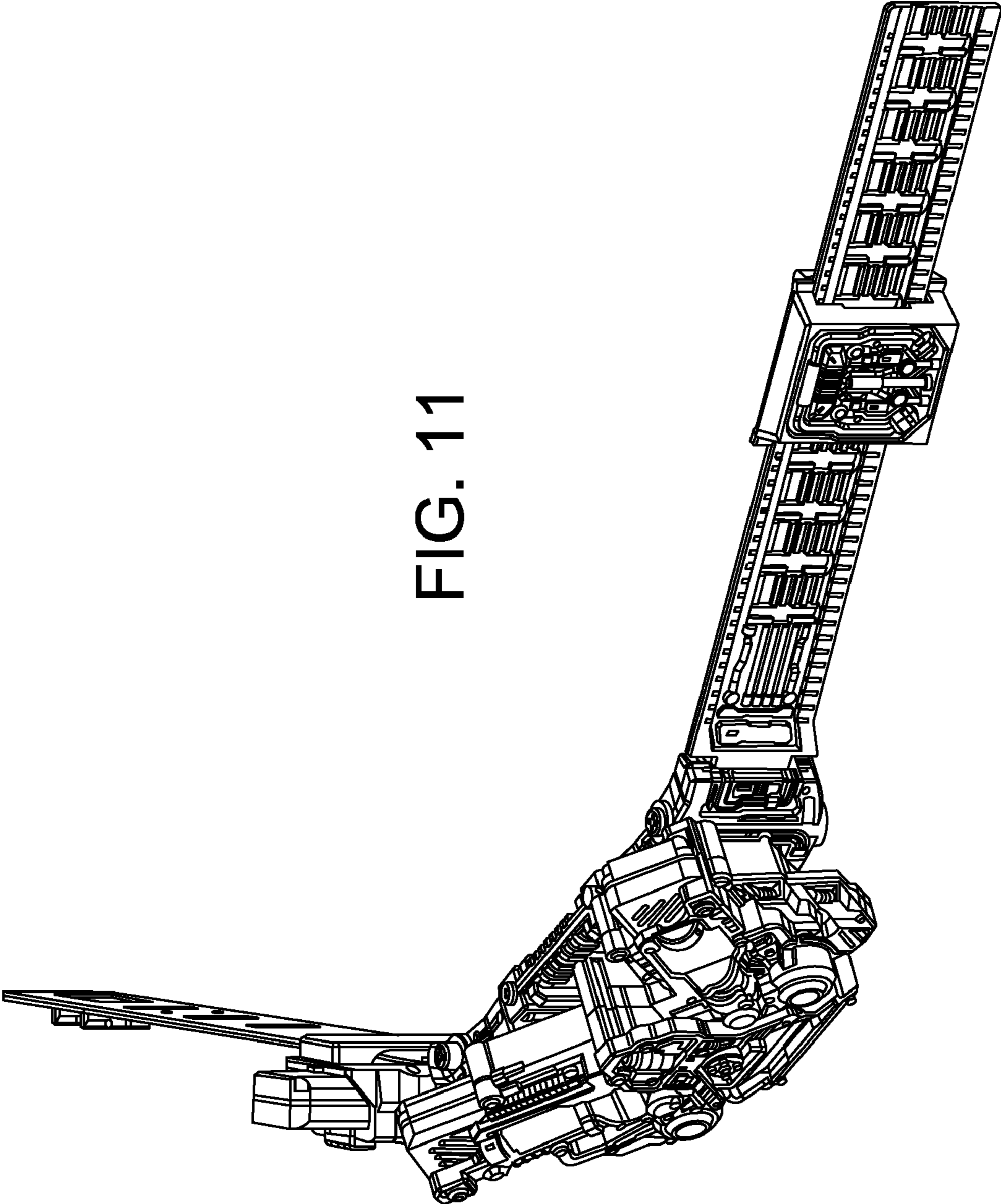


FIG. 10

FIG. 11



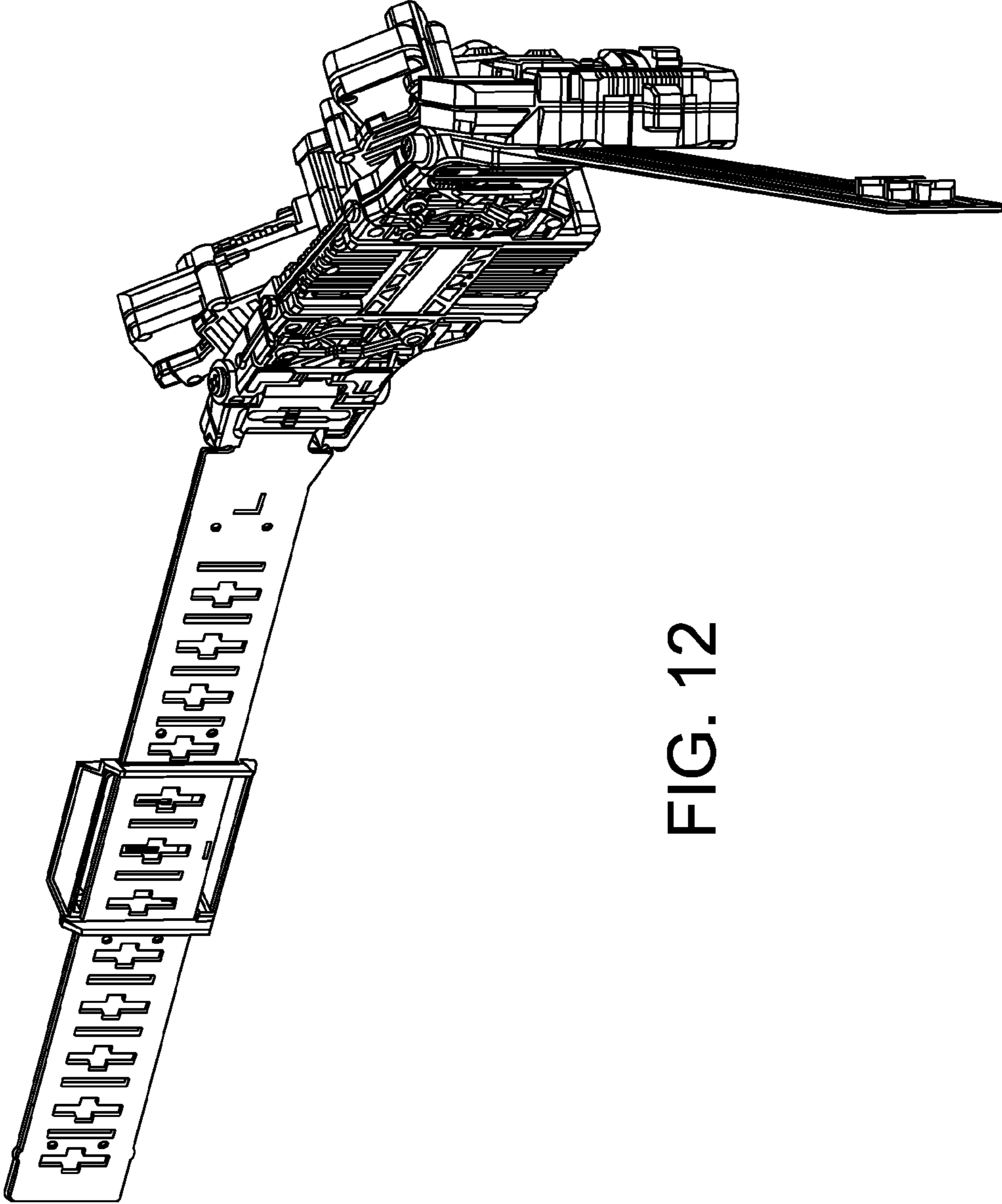


FIG. 12

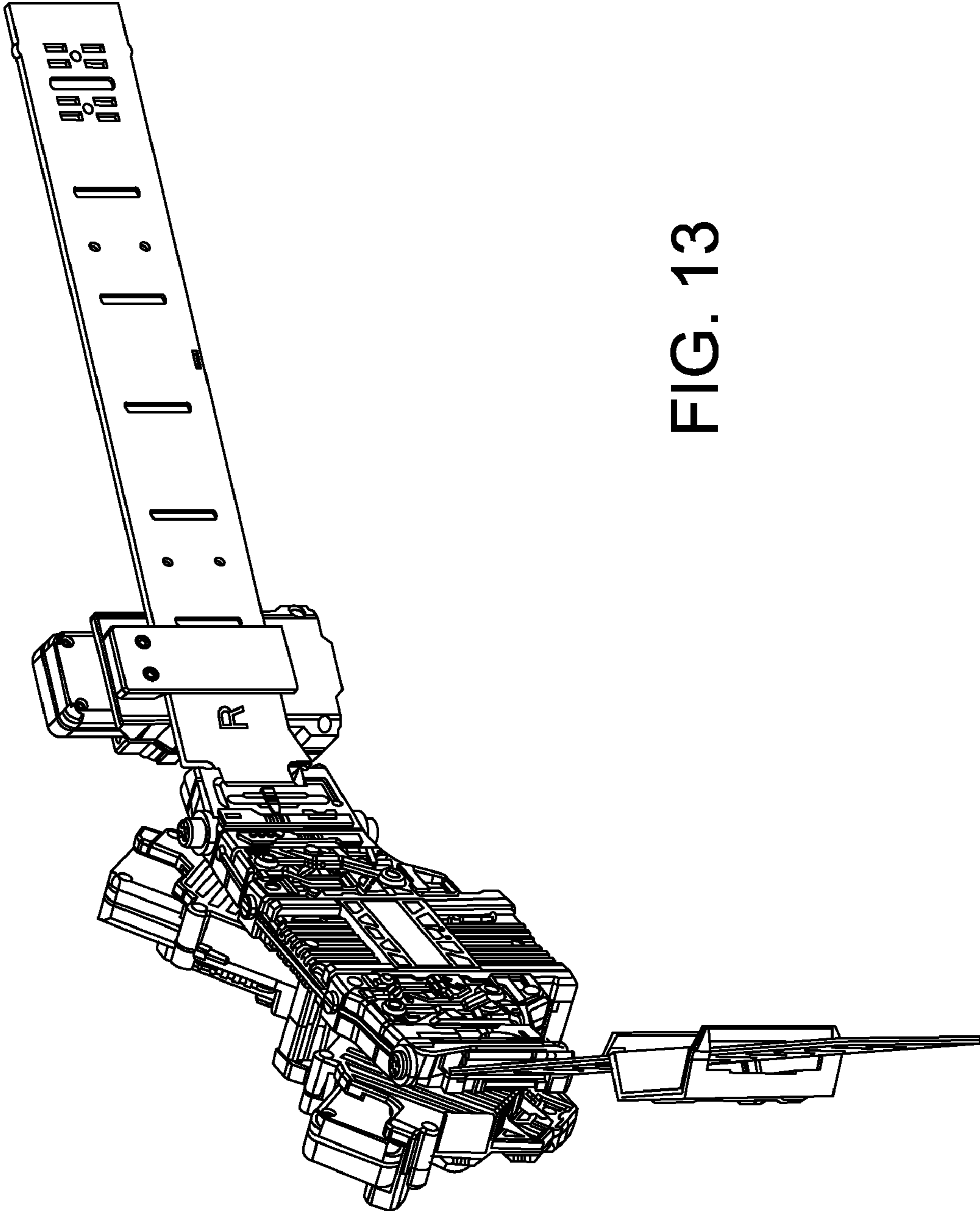


FIG. 13

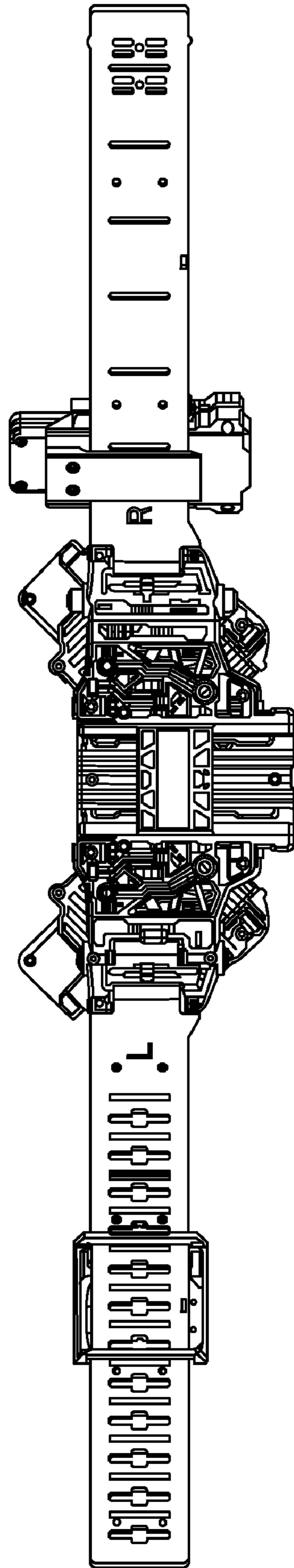


FIG. 14

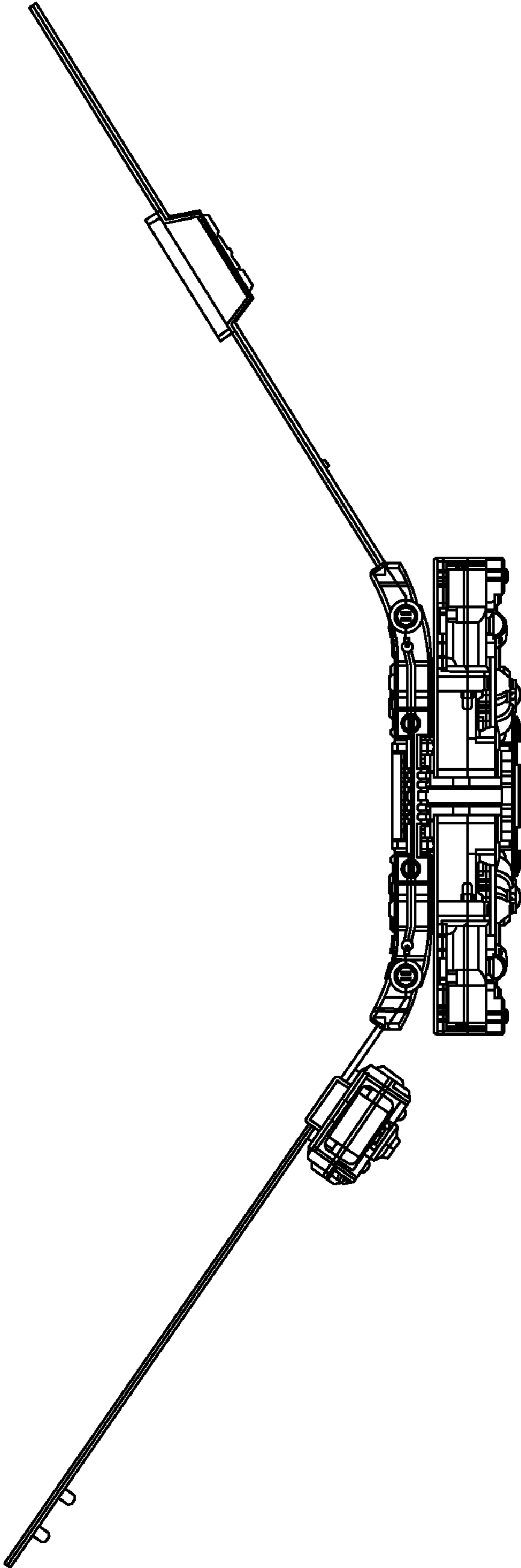


FIG. 15

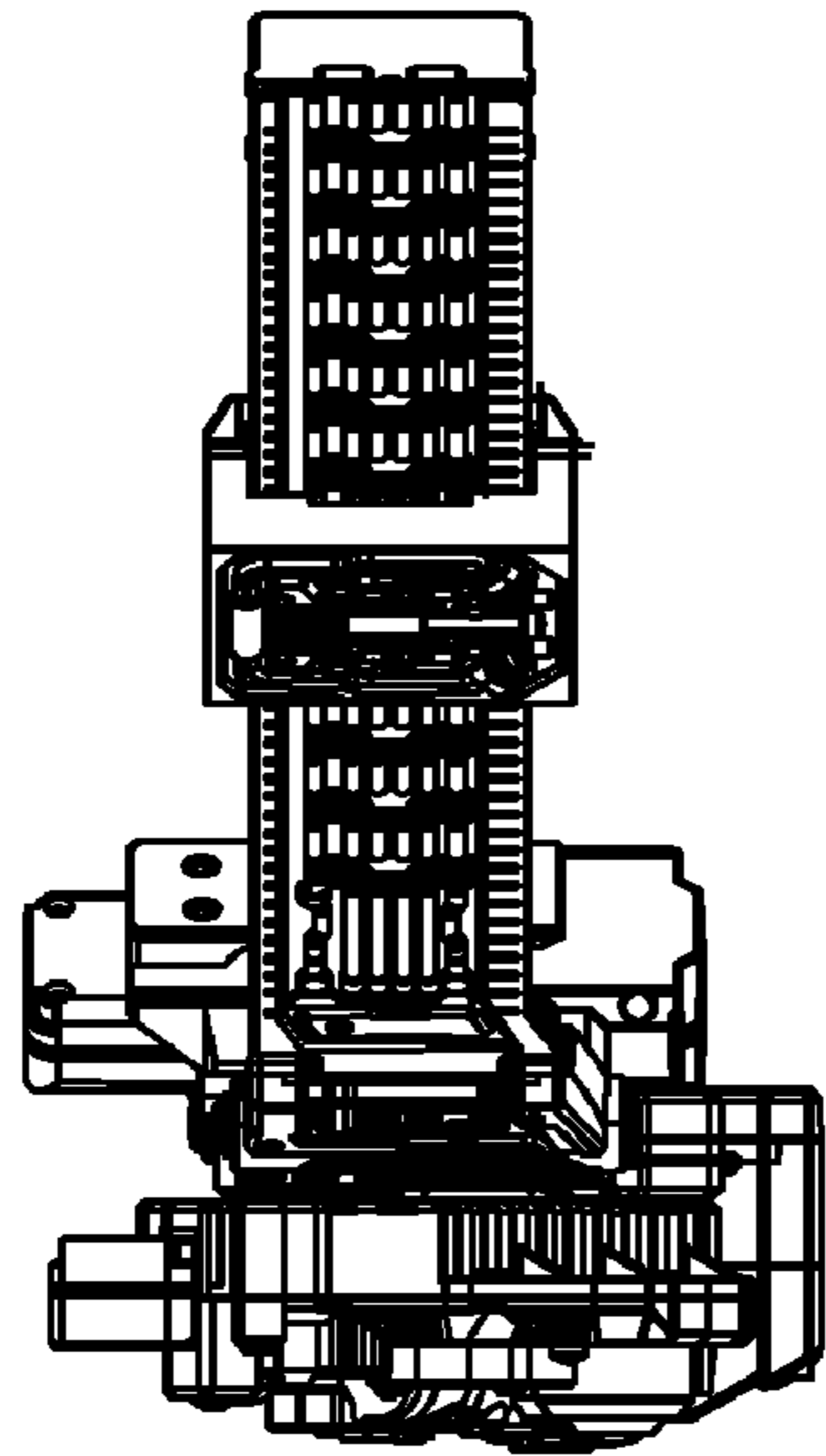


FIG. 16

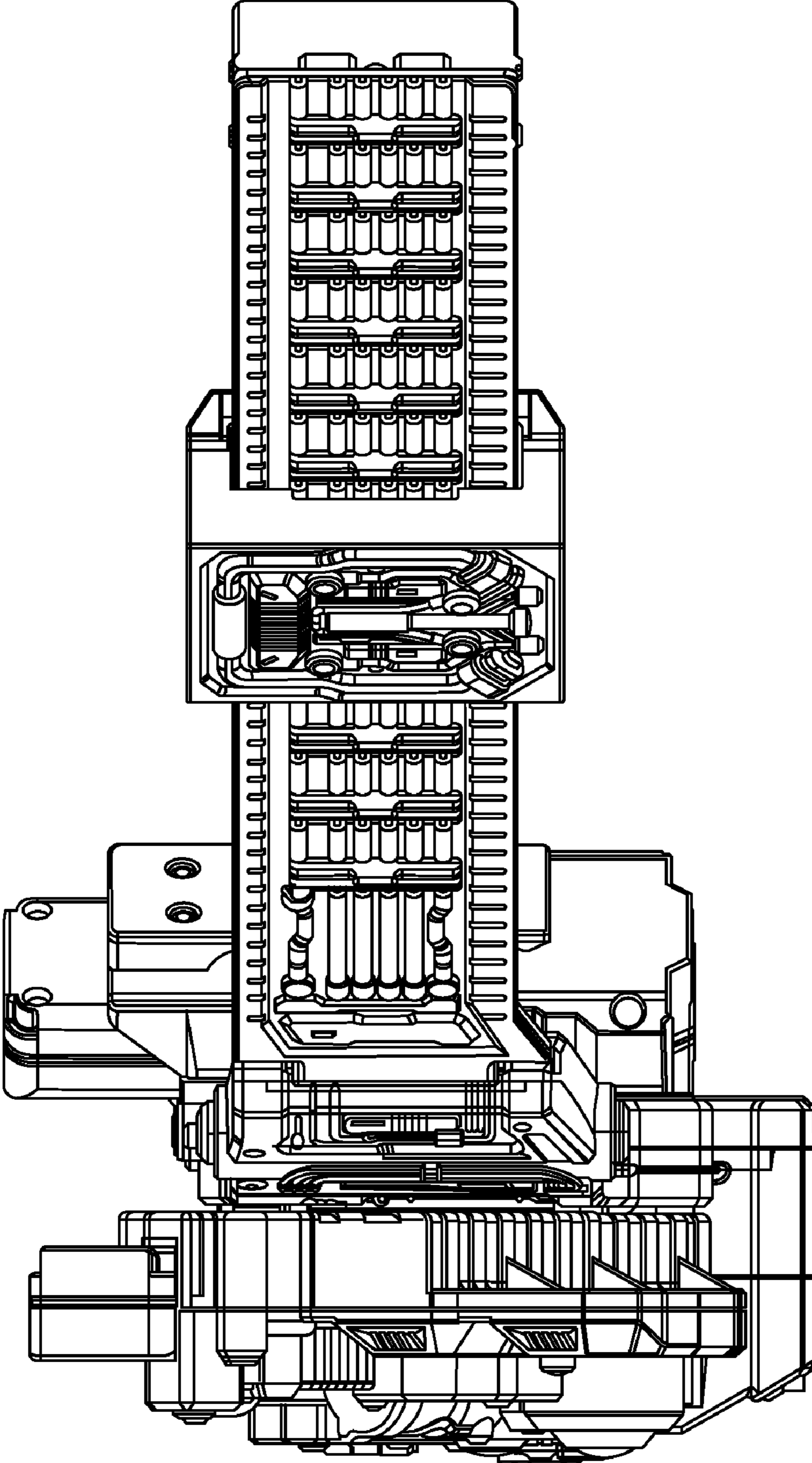


FIG. 17