



US00D654960S

(12) **United States Design Patent**
Bruzzaniti et al.

(10) **Patent No.:** **US D654,960 S**
(45) **Date of Patent:** **** Feb. 28, 2012**

(54) **GAMING TABLE**

DESCRIPTION

(76) Inventors: **Frank J. Bruzzaniti**, Wayville (AU);
William S. Grenfell, Parafield Gardens (AU)

(**) Term: **14 Years**

(21) Appl. No.: **29/360,885**

(22) Filed: **May 3, 2010**

(30) **Foreign Application Priority Data**

May 11, 2009 (AU) 14300/2009

(51) **LOC (9) Cl.** **21-03**

(52) **U.S. Cl.** **D21/397**

(58) **Field of Classification Search** D21/369,
D21/372-373, 397; 273/146

See application file for complete search history.

(56) **References Cited**

U.S. PATENT DOCUMENTS

D96,986 S *	9/1935	Jewel	D21/397
4,247,114 A *	1/1981	Carroll	273/146
4,648,602 A *	3/1987	Maroney	273/146
D468,776 S *	1/2003	Oliver et al.	D21/397
D486,190 S *	2/2004	Winter et al.	D21/397
D491,233 S *	6/2004	Winter et al.	D21/397
6,964,415 B2 *	11/2005	Schnitman et al.	273/146
D551,469 S *	9/2007	Bibi	D21/397

* cited by examiner

Primary Examiner — Sandra Morris

(74) *Attorney, Agent, or Firm* — Gardner, Linn, Burkhardt & Flory, LLP

(57) **CLAIM**

The ornamental design for a gaming table, as shown and described.

FIG. 1 is a perspective view of a gaming table in accordance with the present invention, shown with its drawers in their retracted state and with its table top attached;

FIG. 2 is a perspective view of the gaming table similar to FIG. 1, shown with its drawers in their extended state and with its table top raised;

FIG. 3 is a top plan view of the gaming table of FIG. 1;

FIG. 4 is a side elevation of the gaming table of FIG. 1, with the opposite side being substantially similar;

FIG. 5 is an end elevation of the gaming table of FIG. 1, with the opposite end being substantially similar;

FIG. 6 is a perspective view of a second embodiment of a gaming table in accordance with the present invention, shown with its drawers in their retracted state and with its table top attached;

FIG. 7 is a perspective view of the gaming table similar to FIG. 6, shown with its drawers in their extended state and with one of its table top raised;

FIG. 8 is a top plan view of the gaming table of FIG. 6;

FIG. 9 is a side elevation of the gaming table of FIG. 6, with the opposite side being substantially similar;

FIG. 10 is an end elevation of the gaming table of FIG. 6, with the opposite end being substantially similar;

FIG. 11 is a perspective view of a third embodiment of a gaming table in accordance with the present invention, shown with its drawers in their retracted state and with its table top attached;

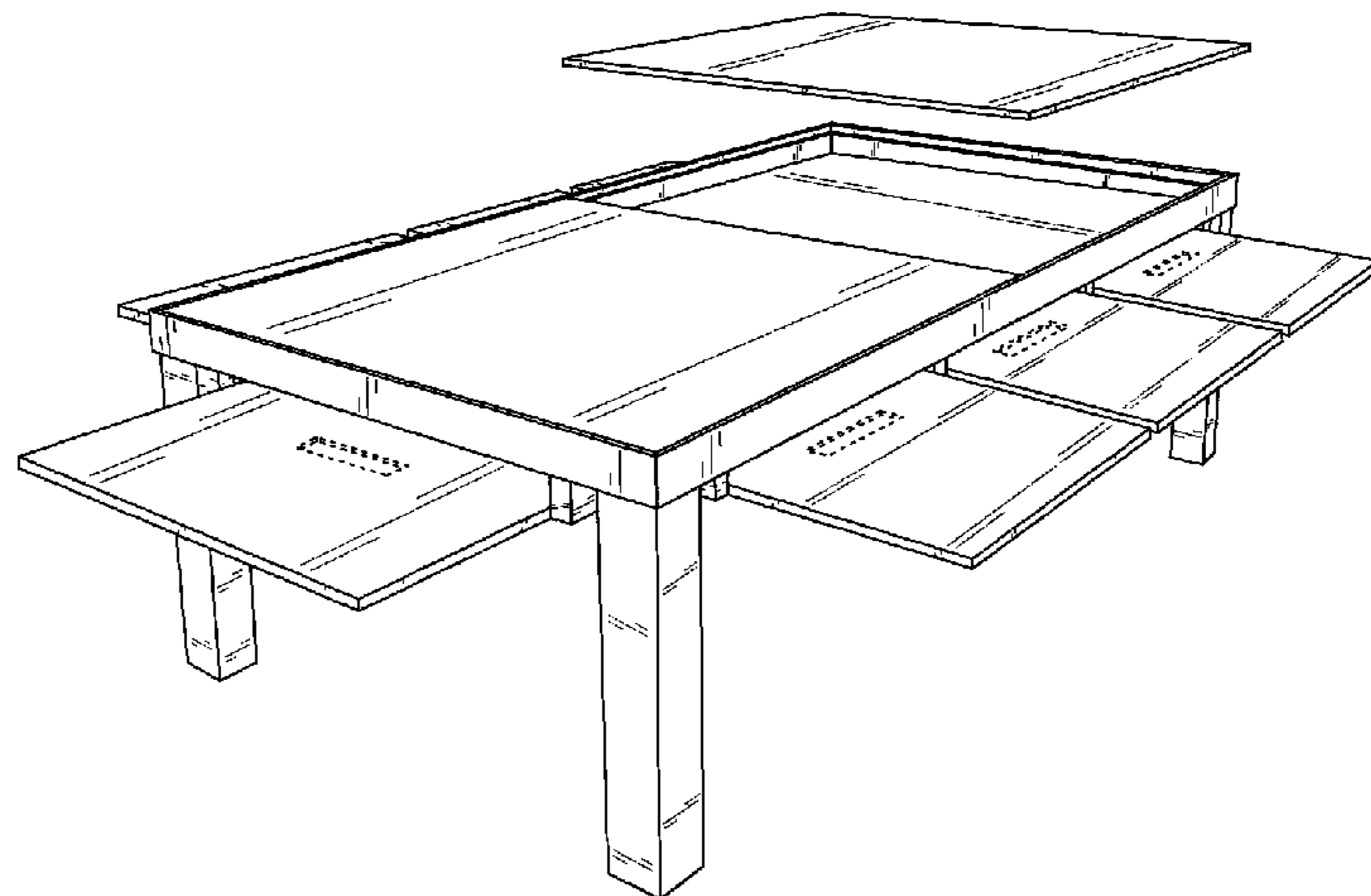
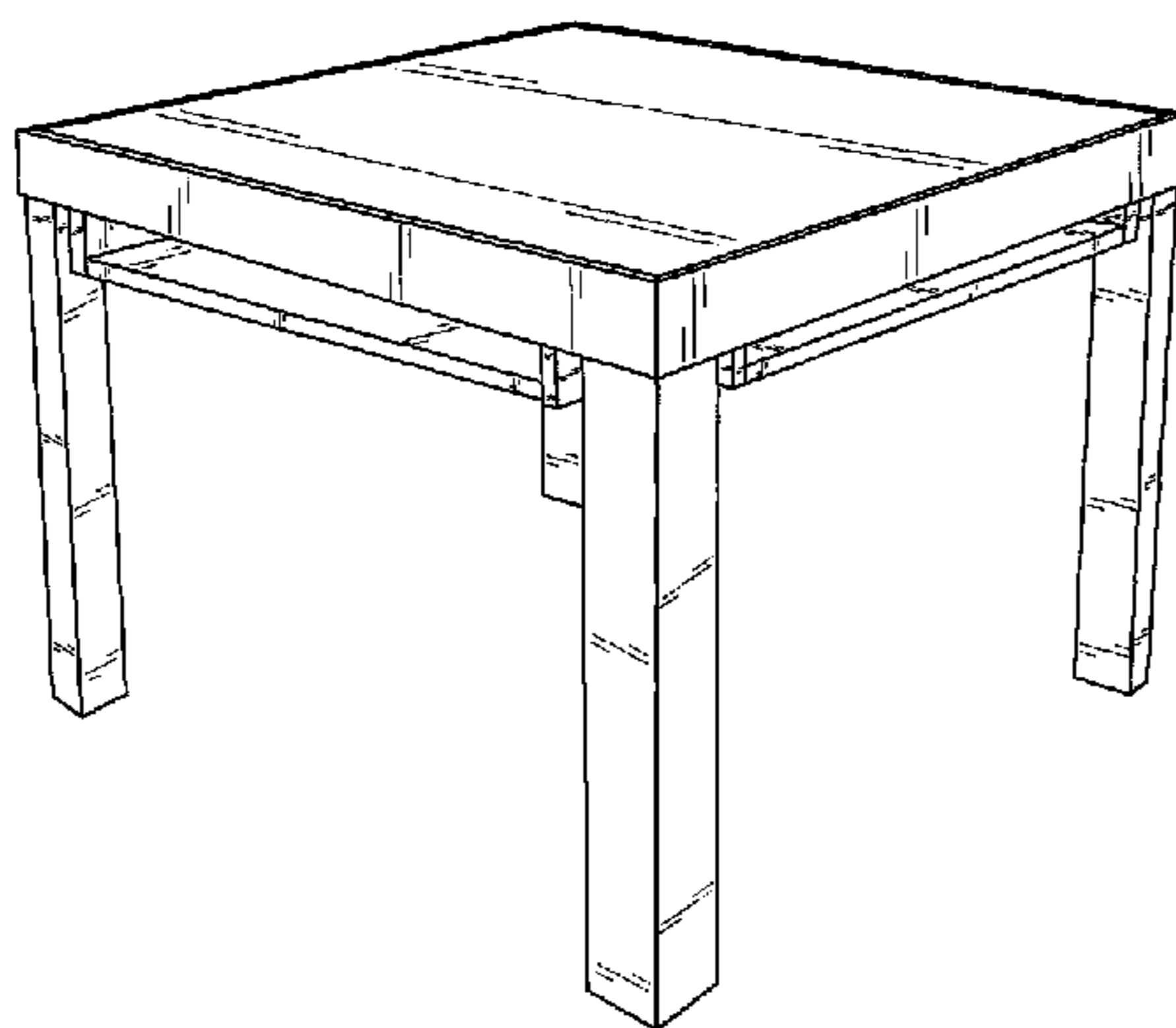
FIG. 12 is a perspective view of the gaming table similar to FIG. 11, shown with its drawers in their extended state and with one of its table top raised;

FIG. 13 is a top plan view of the gaming table of FIG. 11;

FIG. 14 is a side elevation of the gaming table of FIG. 11, with the opposite side being substantially similar; and,

FIG. 15 is an end elevation of the gaming table of FIG. 11, with the opposite end being substantially similar.

1 Claim, 15 Drawing Sheets



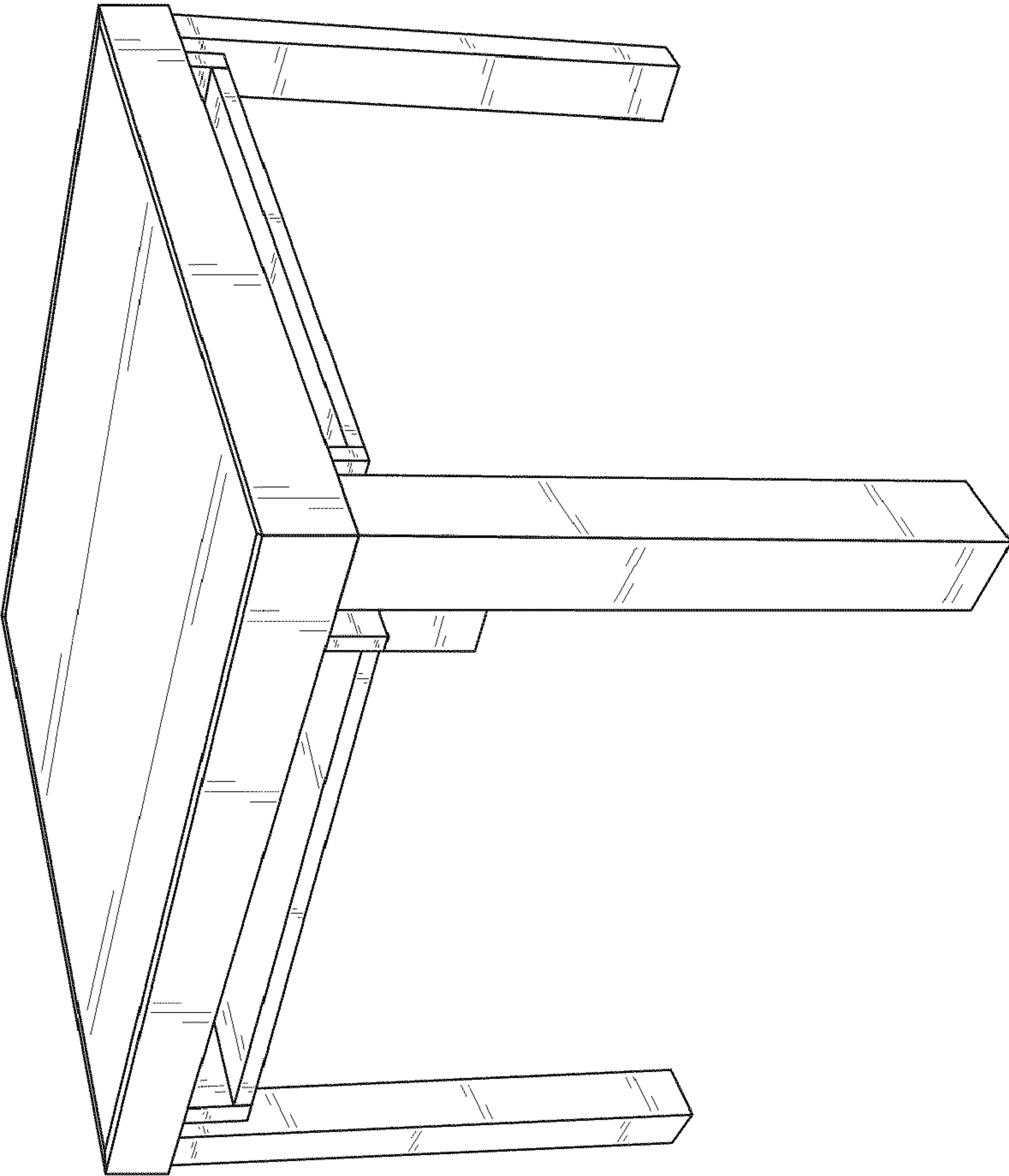


FIG. 1

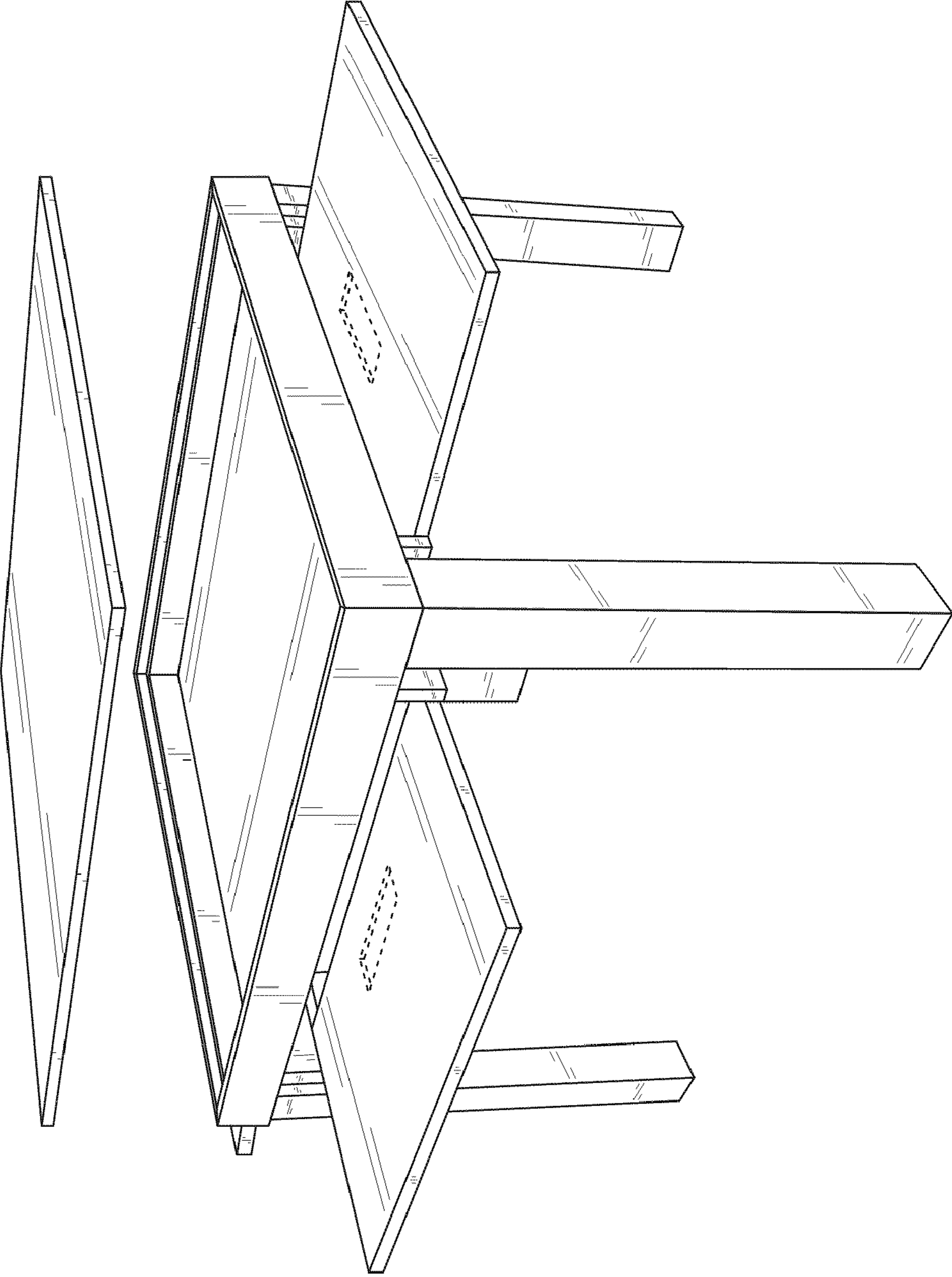


FIG. 2

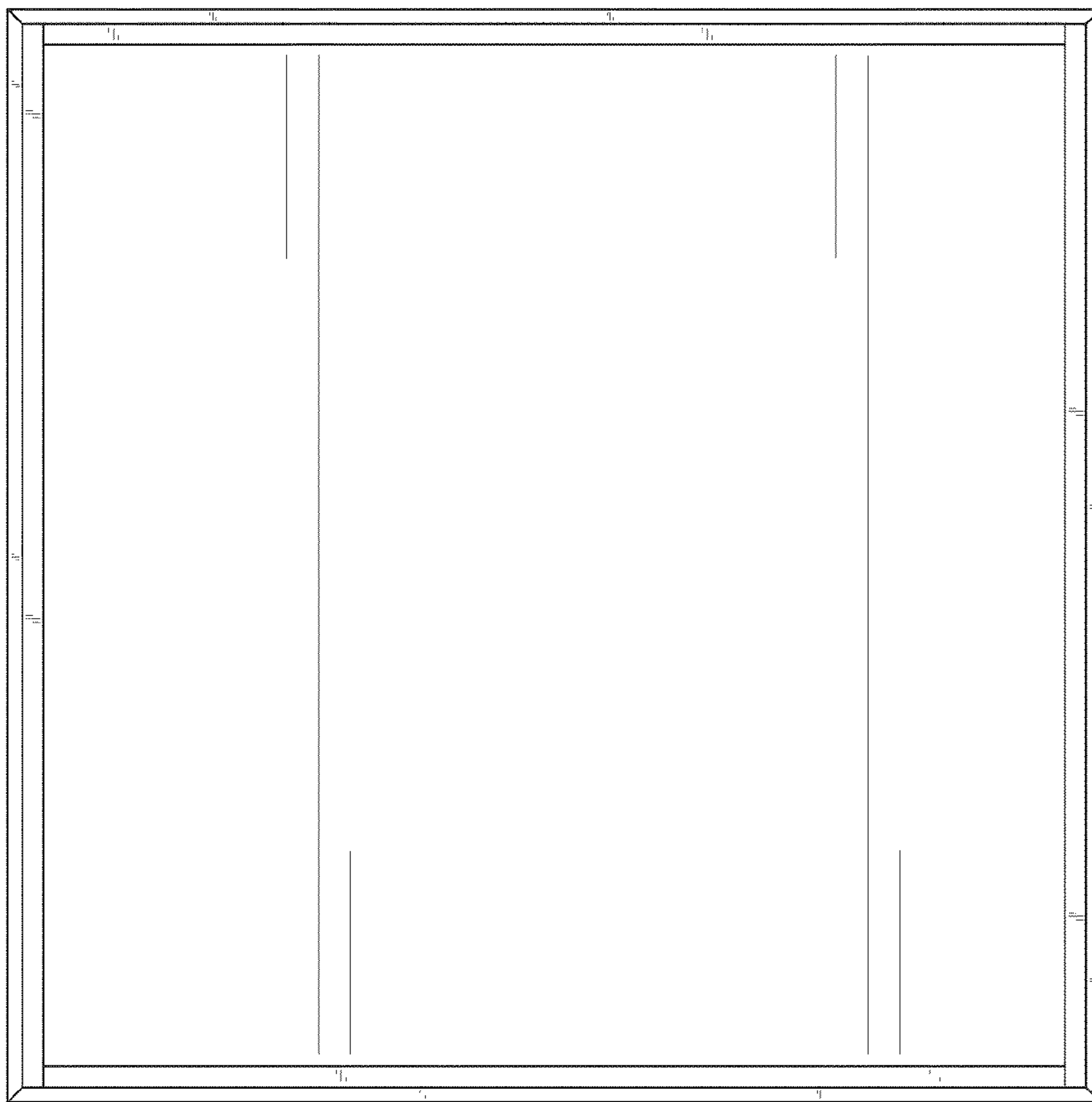


FIG. 3

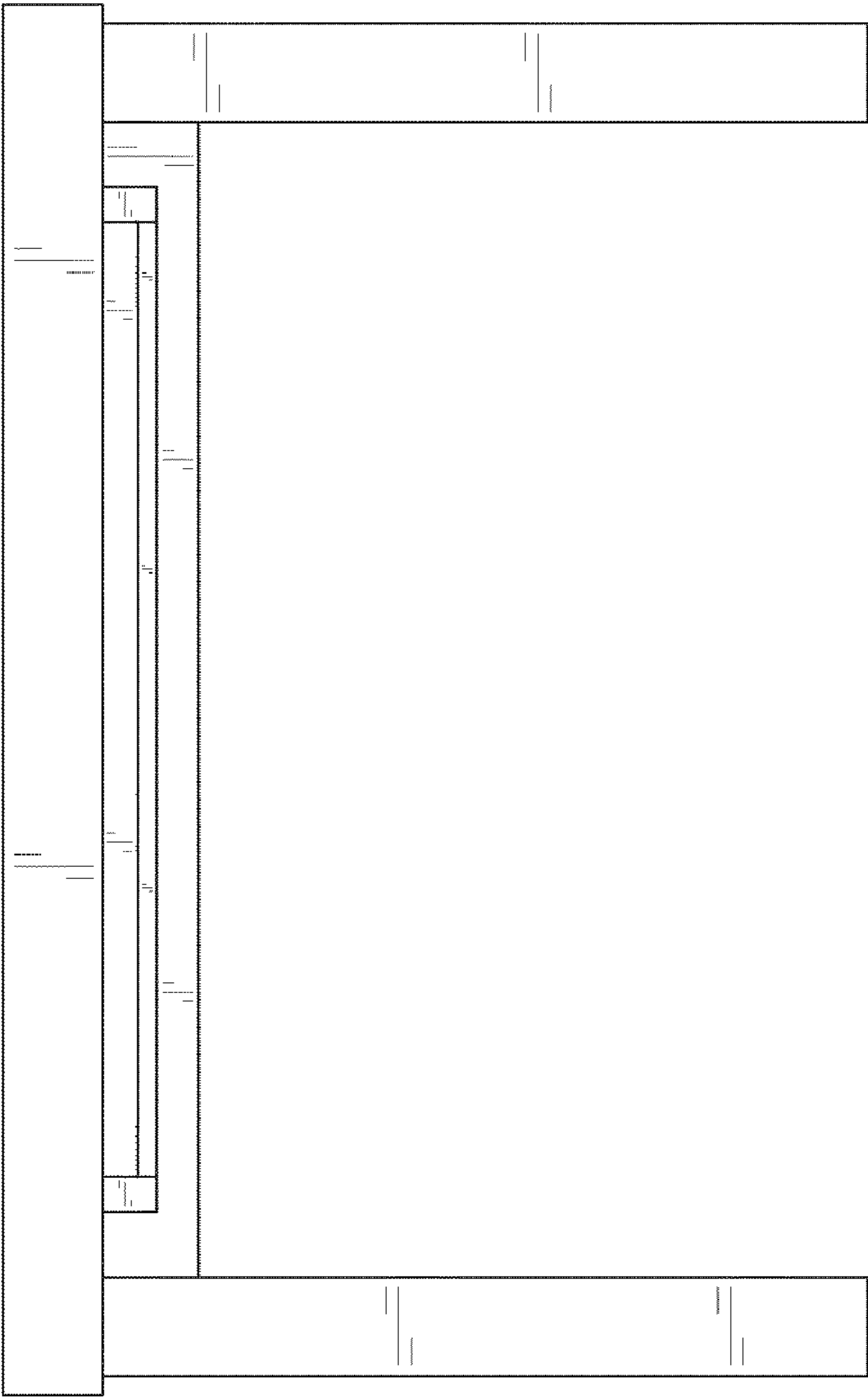


FIG. 4

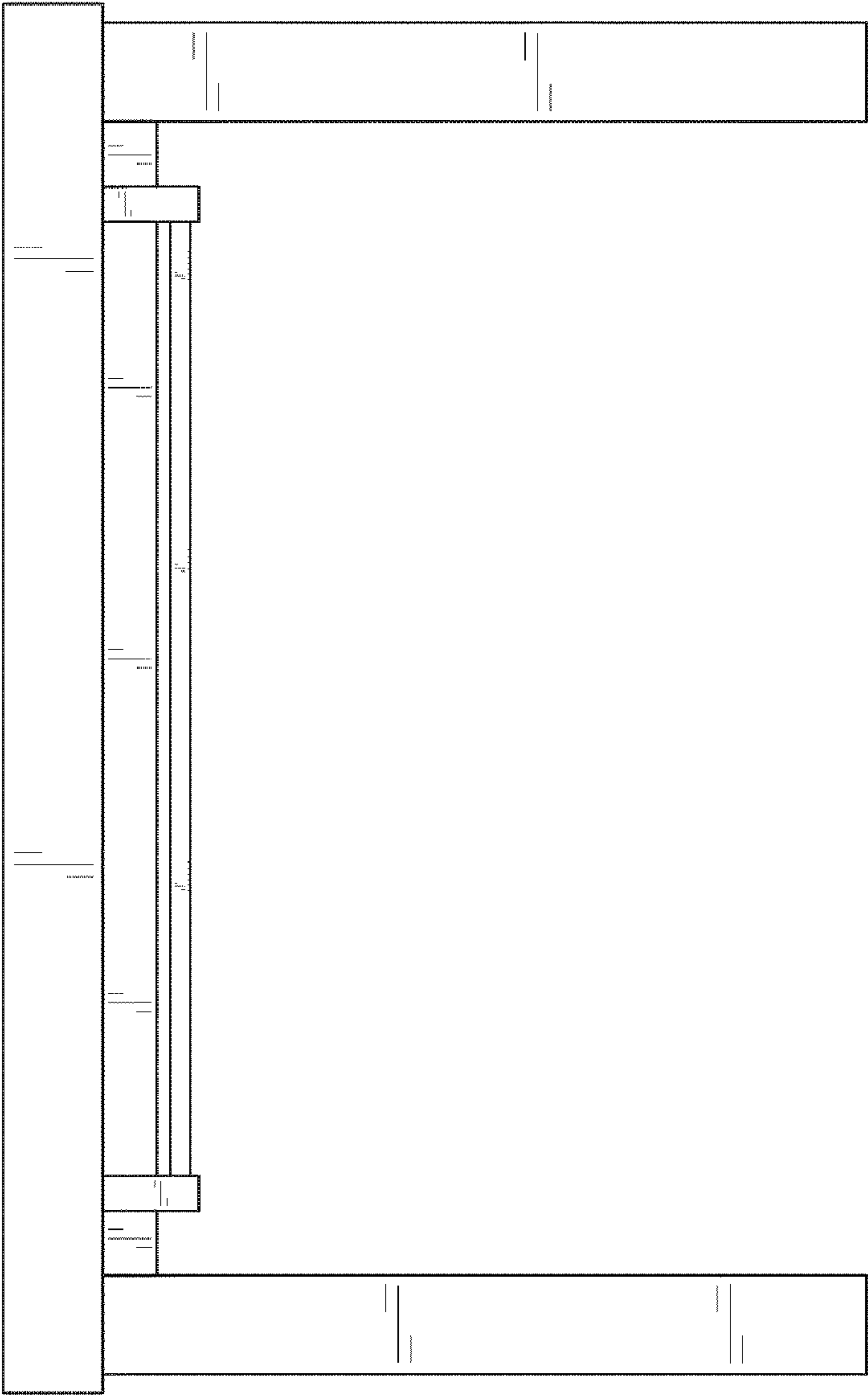


FIG. 5

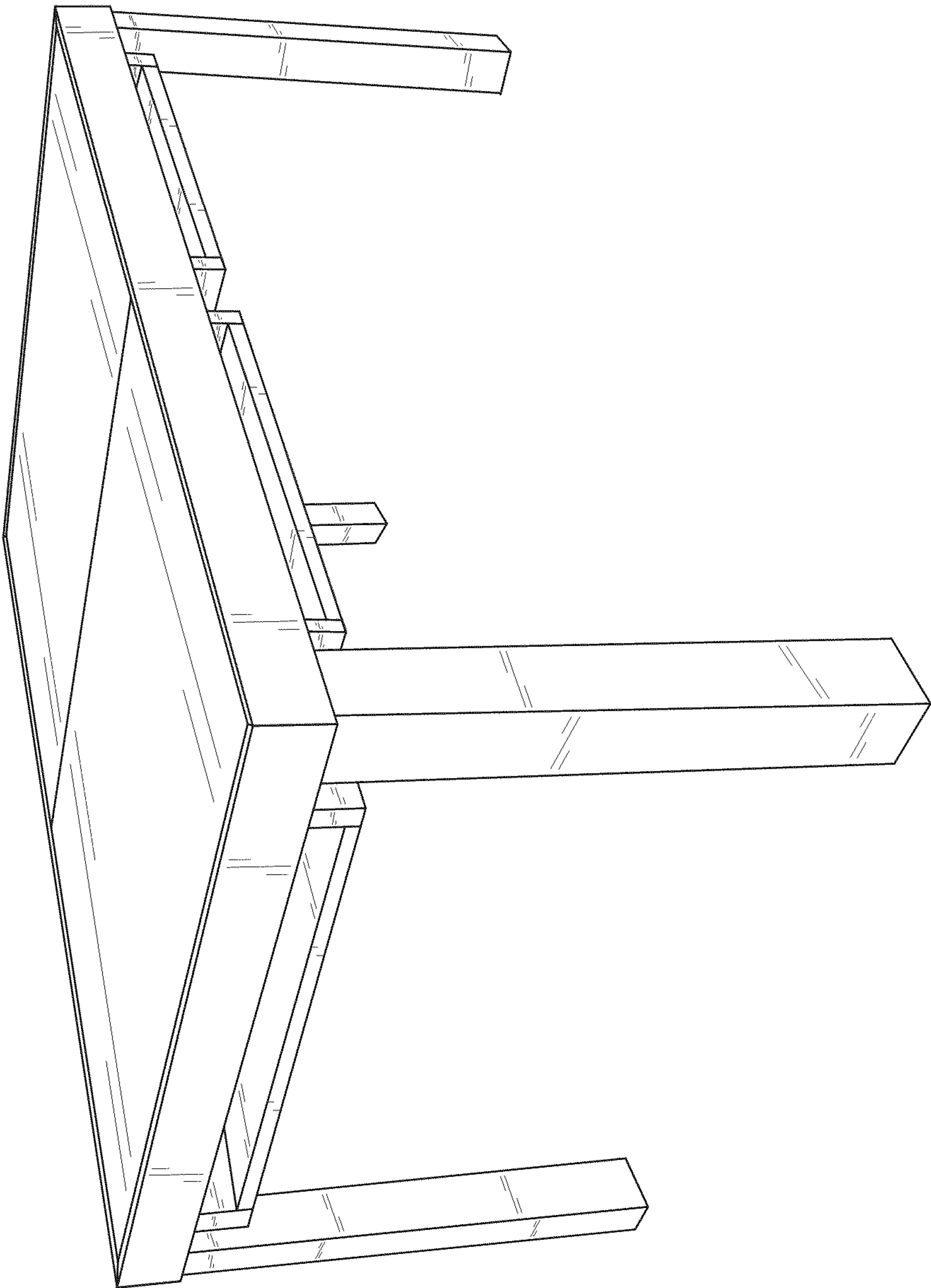


FIG. 6

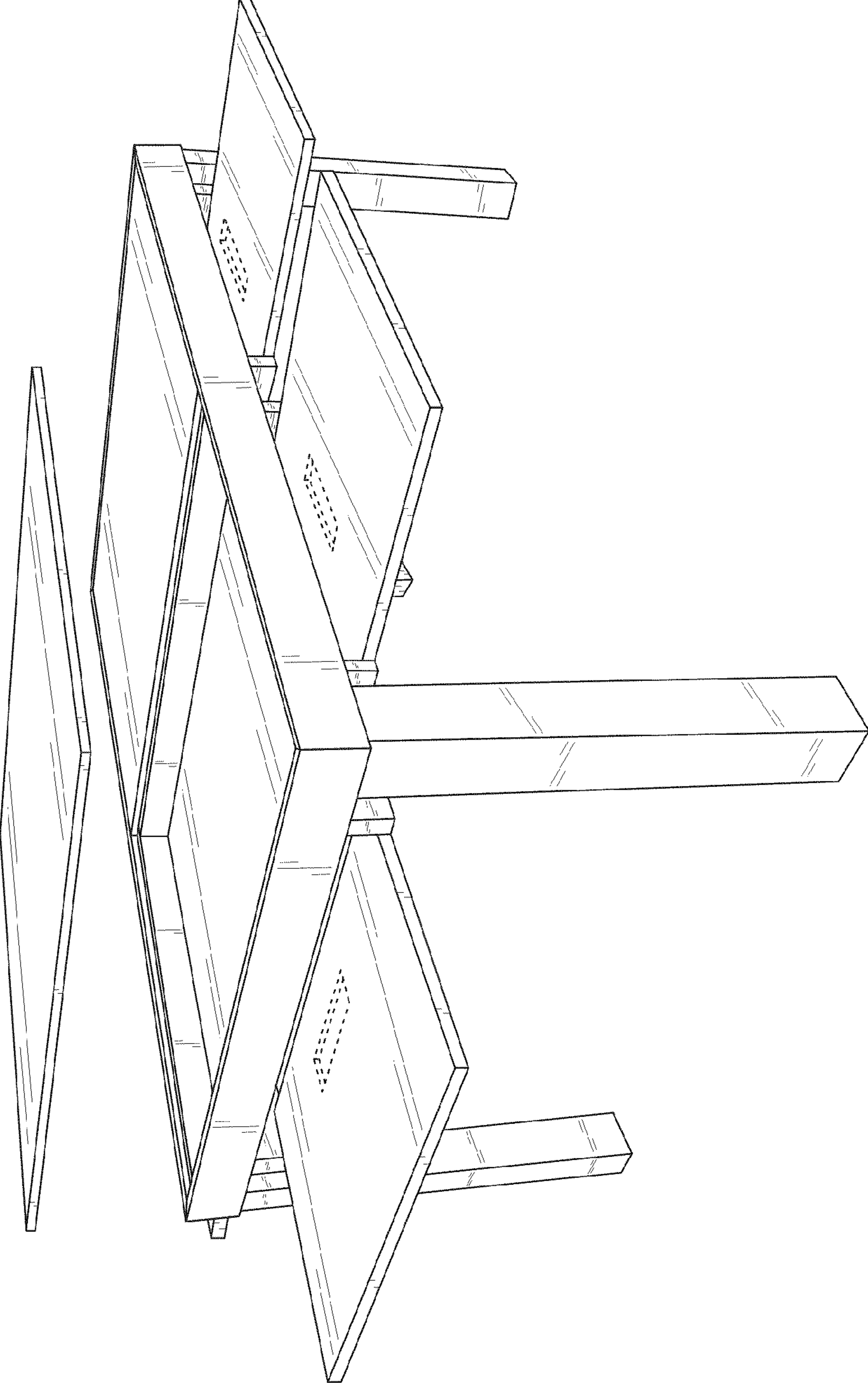


FIG. 7

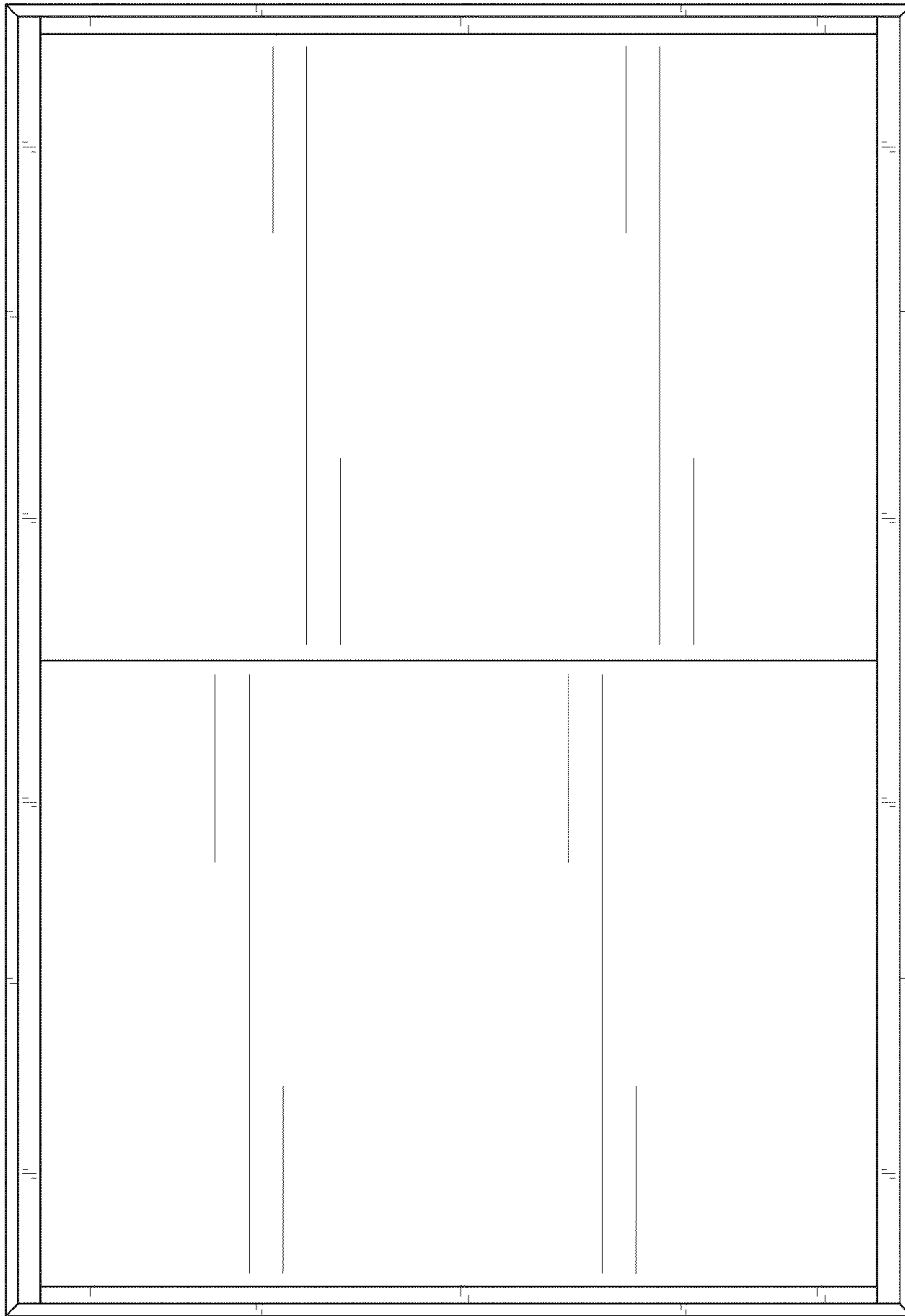


FIG. 8

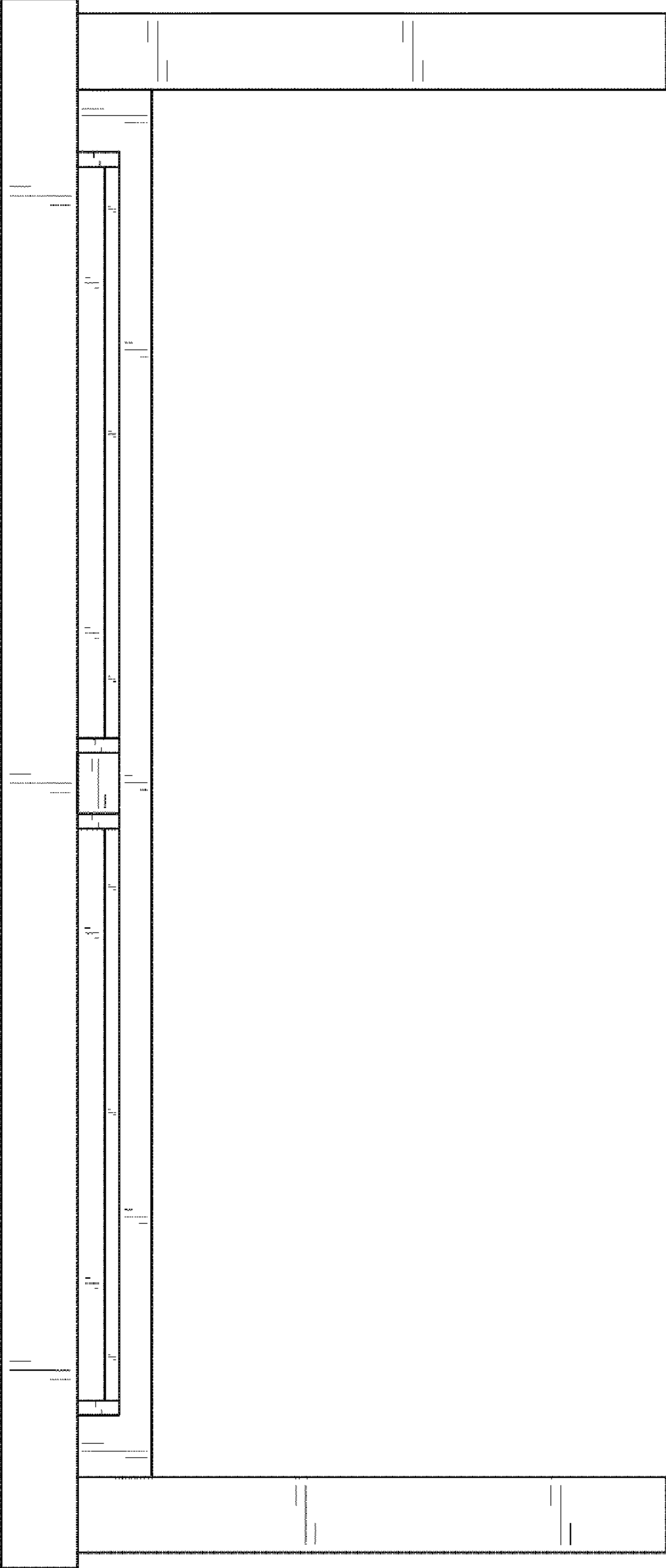


FIG. 9

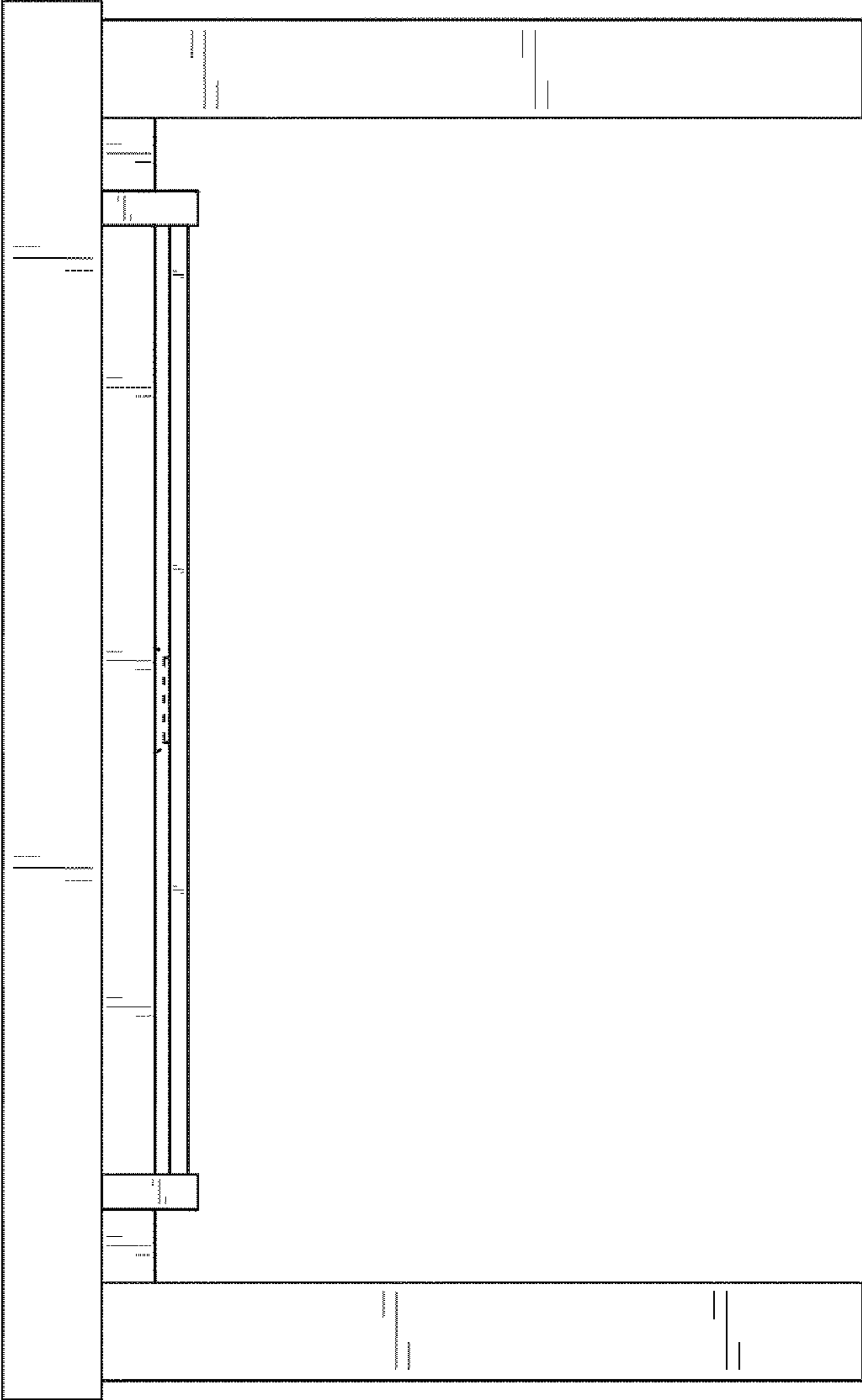


FIG. 10

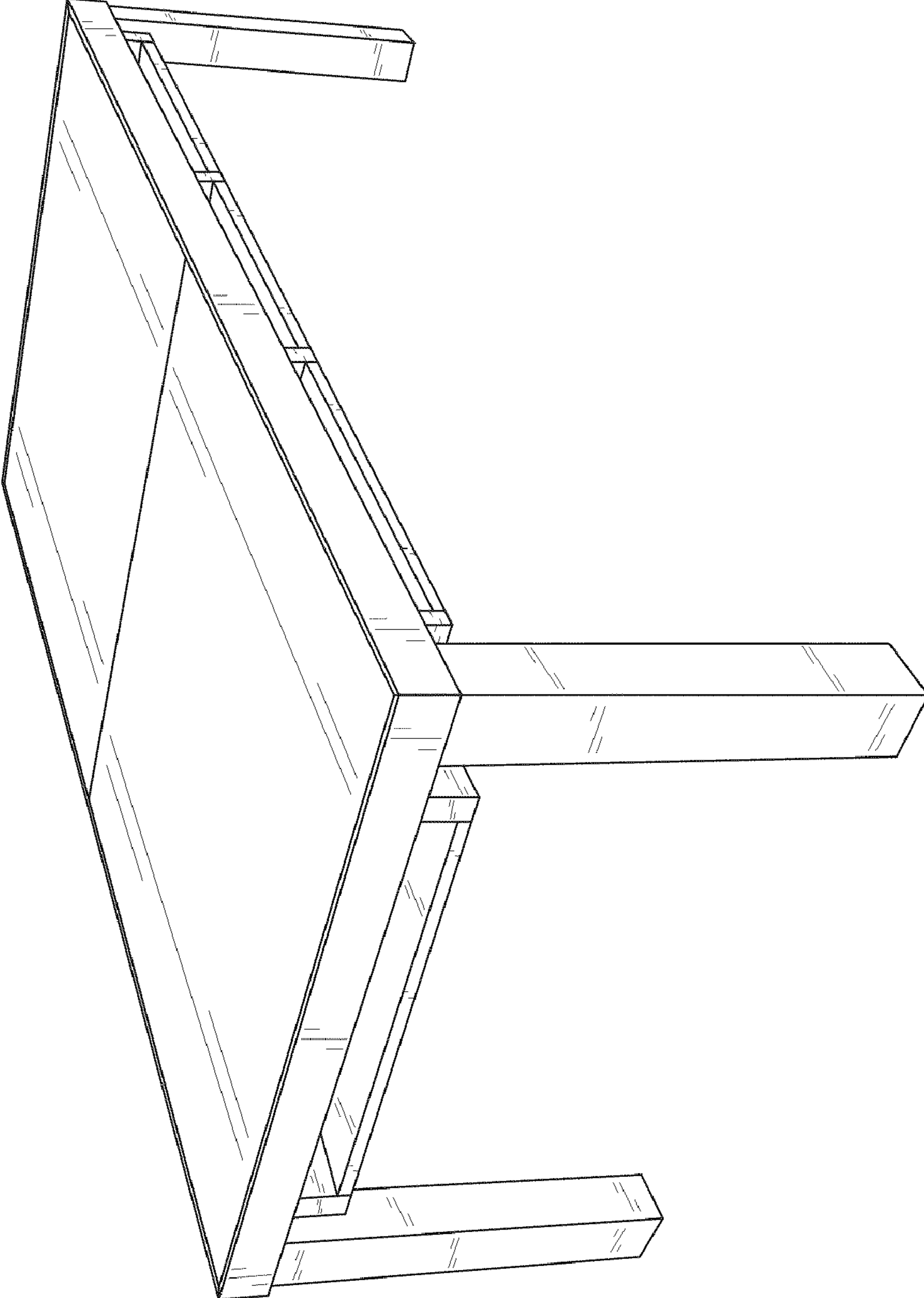


FIG. 11

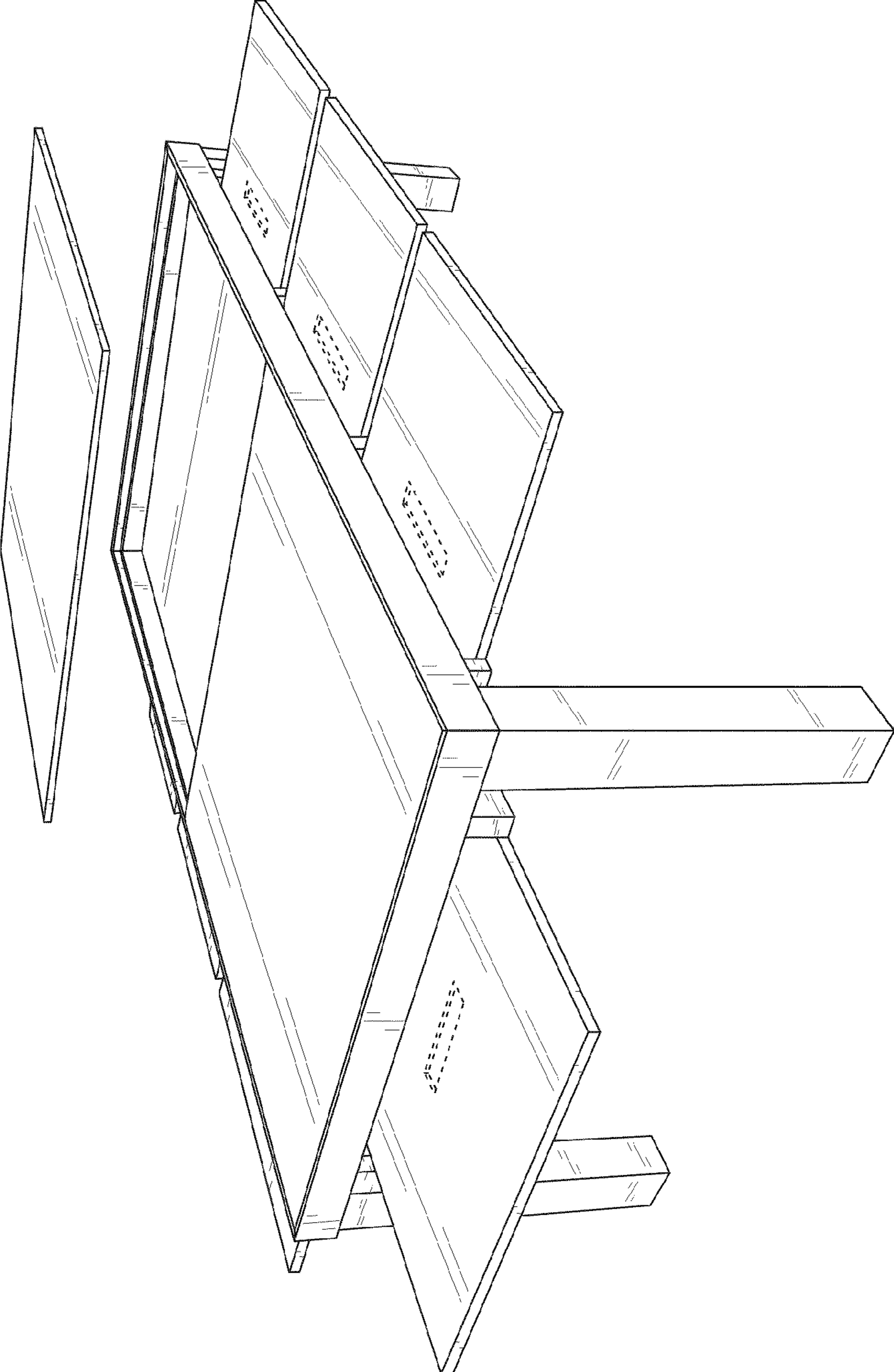


FIG. 12

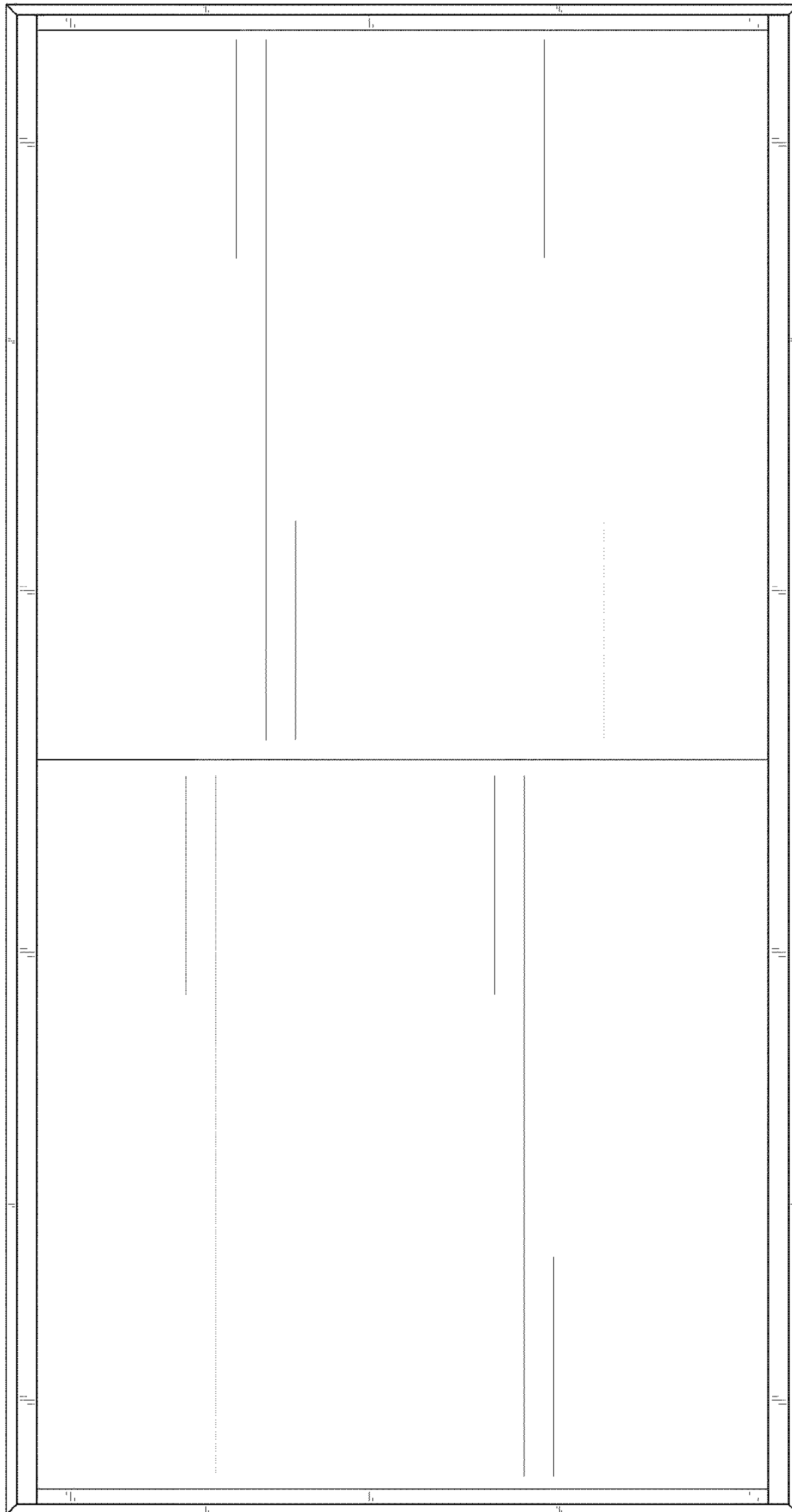


FIG. 13

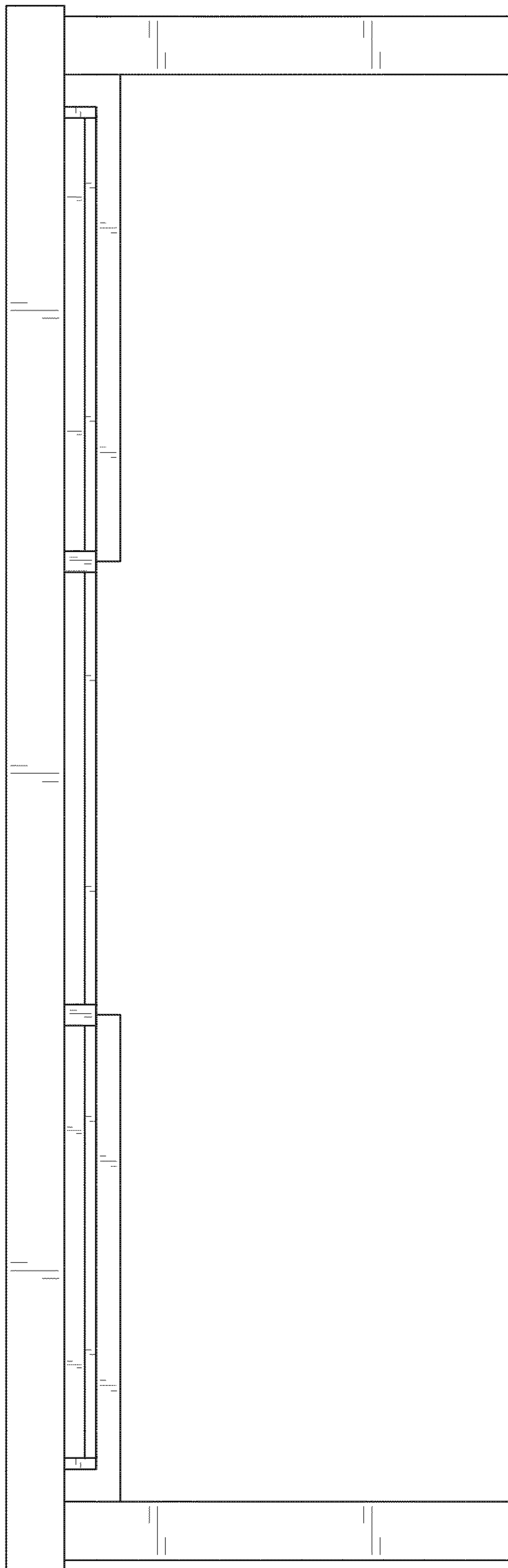


FIG. 14

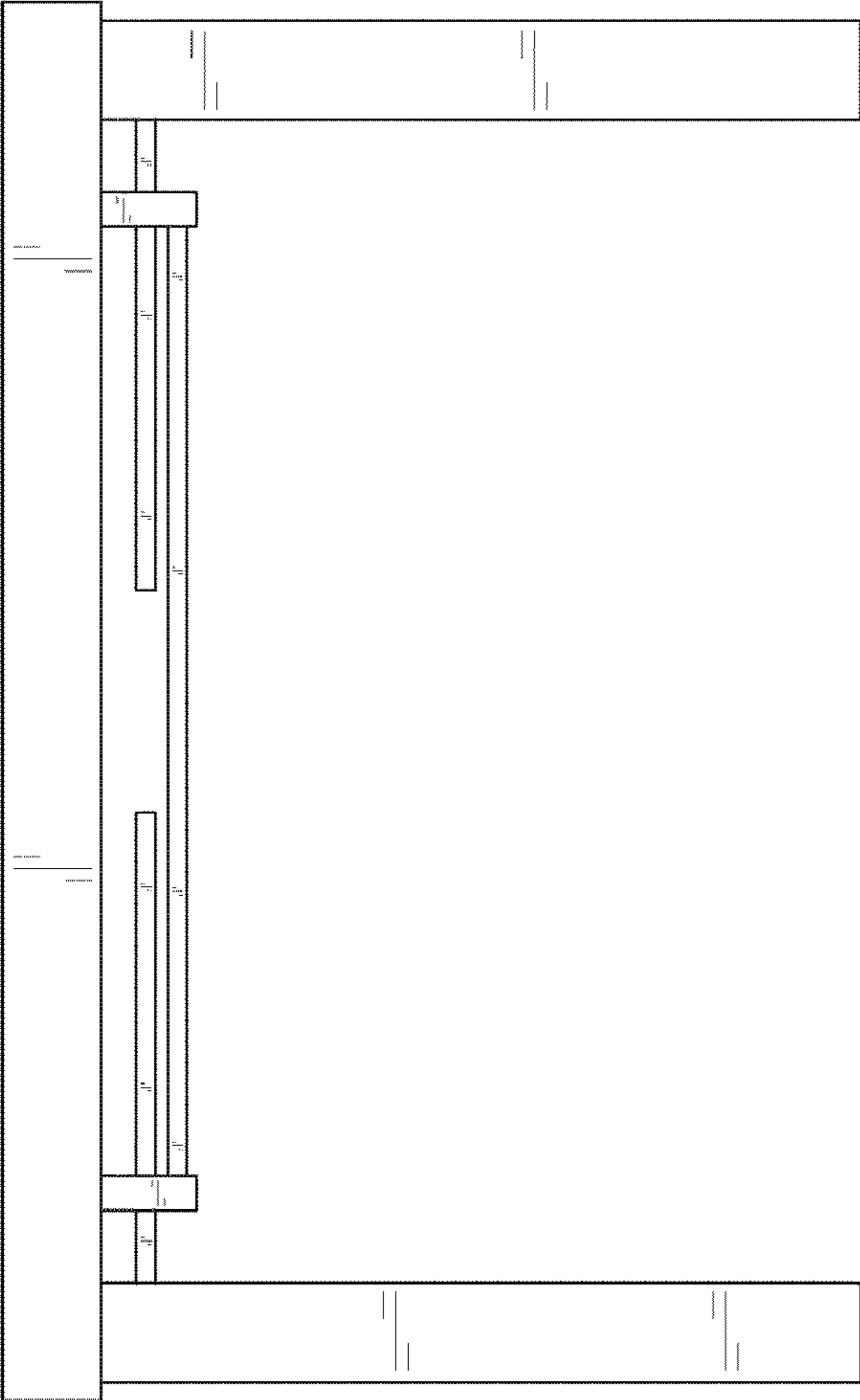


FIG. 15

UNITED STATES PATENT AND TRADEMARK OFFICE
CERTIFICATE OF CORRECTION

PATENT NO. : D654,960 S
APPLICATION NO. : 29/360885
DATED : February 28, 2012
INVENTOR(S) : Frank J. Bruzzaniti and William S. Grenfell

Page 1 of 1

It is certified that error appears in the above-identified patent and that said Letters Patent is hereby corrected as shown below:

Title Page, Column 2, Insert the following:

--In the drawings, the broken lines in the figures depict portions of the design that form no part of the claim.--

after

“FIG. 15 is an end elevation of the gaming table of FIG. 11, with the opposite end being substantially similar.”

Signed and Sealed this
Fourteenth Day of August, 2012

A handwritten signature in black ink that reads "David J. Kappos". The signature is written in a cursive style with a large initial "D" and "K".

David J. Kappos
Director of the United States Patent and Trademark Office