



US00D654949S

(12) **United States Design Patent**
Preliasco et al.

(10) **Patent No.:** **US D654,949 S**

(45) **Date of Patent:** **** Feb. 28, 2012**

(54) **PRINTER**

(75) Inventors: **Richard Preliasco**, North Kingstown, RI (US); **Dave Beck**, Exeter, RI (US); **Miroslav Vuckovic**, Skokie, IL (US)

(73) Assignee: **ZIH Corp.**, Hamilton (BM)

(**) Term: **14 Years**

(21) Appl. No.: **29/359,498**

(22) Filed: **Apr. 12, 2010**

(51) **LOC (9) Cl.** **18-02**

(52) **U.S. Cl.** **D18/14**

(58) **Field of Classification Search** D18/36-37, D18/50, 14, 54, 54.1, 55, 19, 4.4-4.6; D14/465, D14/420, 422, 426, 385, 386; 400/88, 613, 400/613.1-613.4, 690.1-690.4, 691-694; 399/108; 271/3.14; 347/109; 101/327
See application file for complete search history.

(56) **References Cited**

U.S. PATENT DOCUMENTS

D233,349	S *	10/1974	Bellini	D18/7
D376,384	S *	12/1996	Woei-Fang	D18/55
D386,515	S *	11/1997	Sommerville et al.	D18/54.1
D408,442	S *	4/1999	Lun	D18/11
D422,631	S *	4/2000	Toriyama et al.	D18/50
D430,199	S *	8/2000	Petteruti et al.	D18/50
6,181,361	B1 *	1/2001	Bluteau et al.	347/222
D473,261	S *	4/2003	Ohtani et al.	D18/14
6,609,844	B1	8/2003	Petteruti et al.		
6,652,170	B1 *	11/2003	Arnold	400/88
D492,959	S *	7/2004	Nakanishi	D18/50
6,874,958	B1	4/2005	Panebianco et al.		
D504,676	S *	5/2005	Borsboom	D14/218
6,916,128	B1	7/2005	Petteruti et al.		
7,011,463	B2 *	3/2006	Matsuse	400/594
7,033,097	B2 *	4/2006	Petteruti et al.	400/693
D522,571	S *	6/2006	Senda et al.	D18/54
D525,648	S *	7/2006	Hattori	D18/19
7,070,348	B2 *	7/2006	Sugimoto et al.	400/244
D526,349	S *	8/2006	Granaas	D18/54
7,125,181	B2 *	10/2006	Takabatake et al.	400/605

D532,038	S *	11/2006	Hutchinson	D18/50
D532,039	S	11/2006	Beck et al.		
D536,370	S	2/2007	Smolenski et al.		
D542,337	S *	5/2007	Nakata et al.	D18/19
D545,892	S *	7/2007	Wang	D18/50
7,245,312	B2	7/2007	Smolenski et al.		
D549,768	S	8/2007	Panebianco et al.		
7,306,386	B2 *	12/2007	Lyman et al.	400/88
D570,402	S *	6/2008	Henry	D18/4.6
D581,452	S *	11/2008	Nelson et al.	D18/4.6
D614,230	S *	4/2010	Hidaka	D18/12
D628,620	S *	12/2010	Beck et al.	D18/50
D638,465	S *	5/2011	Goldin	D18/4.6
D642,609	S *	8/2011	Goldin	D18/4.4

(Continued)

OTHER PUBLICATIONS

Co-pending U.S. Appl. No. 29/320,081, filed Jun. 19, 2008.

(Continued)

Primary Examiner — Jeffrey D Asch

(74) *Attorney, Agent, or Firm* — Alston & Bird LLP

(57) **CLAIM**

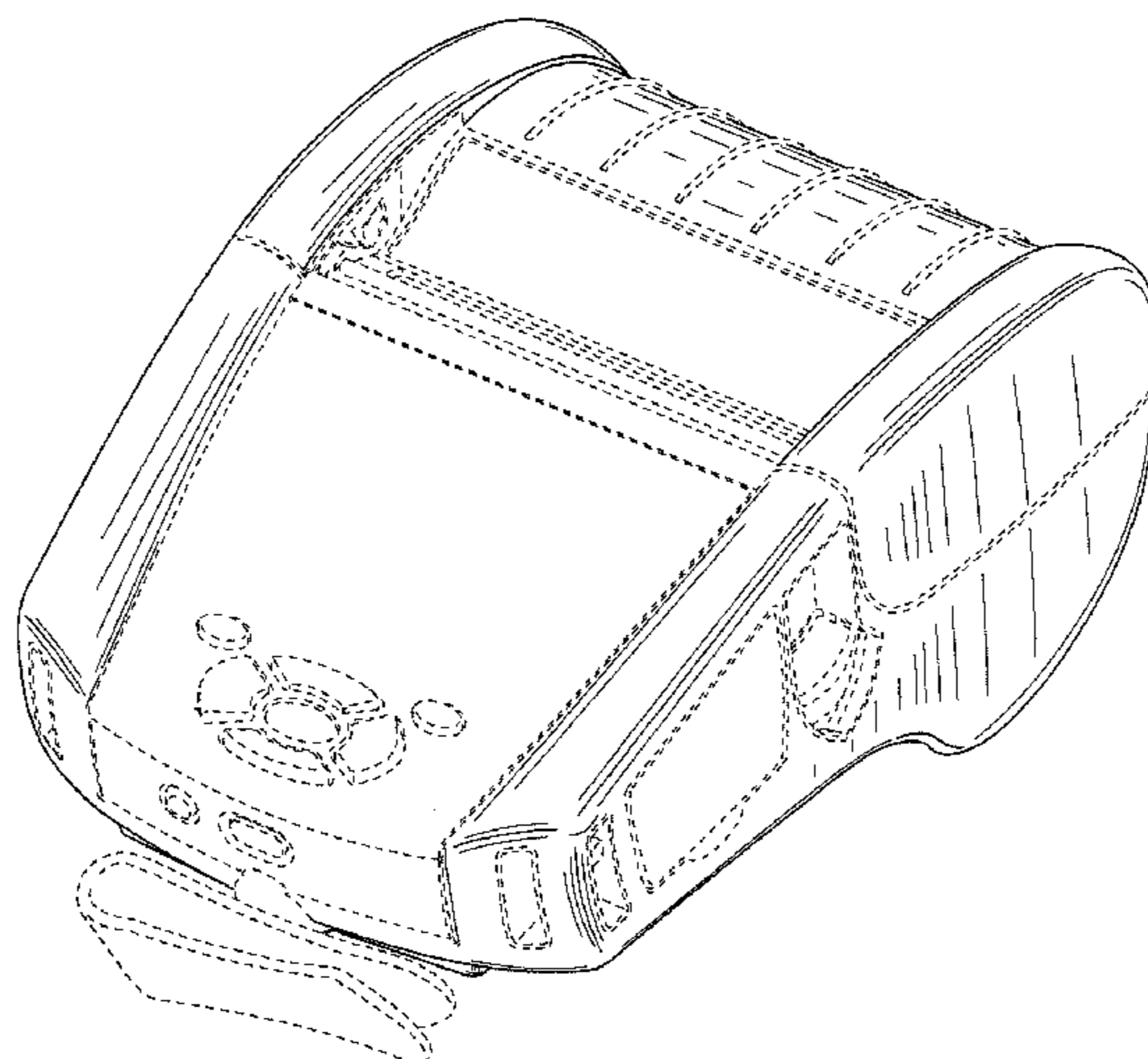
The ornamental design for a printer, as shown and described.

DESCRIPTION

FIG. 1 is a perspective view of a printer showing our new design;
 FIG. 2 is a front elevation view thereof;
 FIG. 3 is a rear elevation view thereof;
 FIG. 4 is a right side elevation view thereof;
 FIG. 5 is a left side elevation view thereof;
 FIG. 6 is a top plan view thereof; and,
 FIG. 7 is a bottom plan view thereof.

The broken lines shown throughout the views that are immediately adjacent to the shaded areas and define unshaded regions, represent the bounds of the claimed design, while all other broken lines are directed to environment and are for illustrative purposes only. The broken lines form no part of the claimed design.

1 Claim, 7 Drawing Sheets



U.S. PATENT DOCUMENTS

2004/0018035	A1 *	1/2004	Petteruti et al.	400/88
2006/0165467	A1 *	7/2006	Kawakami et al.	400/613
2007/0172289	A1 *	7/2007	Robinson	400/613
2009/0317161	A1 *	12/2009	Vo et al.	400/207
2011/0076084	A1 *	3/2011	Kasugai et al.	400/613

OTHER PUBLICATIONS

Zebra® QL Plus™ Rev. 12, Nov. 2008, <http://www.zebra.com/id/zebra/na/en/documentlibrary/product_brochures/ql_series_brochure.File.tmp/QL_R12brochure.pdf>.

Zebra® QL Plus™ Series printers image, printed May 27, 2010, <http://www.progressivelabelling.co.uk/_img/pics/L_QL_Plus_Series.jpg>.

Zebra® QL Plus™ Series Mobile Printer User Guide, Rev. A, 2007, cited pages: title page, 22, 30, 46, 47, 48, 49, 50, 72, 73, and 74,

<[http://www.zebra.com/id/zebra/na/en/documentlibrary/manuals/en/printer_manuals/ql_series_user_s_guide.File.tmp/UMAN_QLP_001A1.pdf?dvar1=ProductLiterature&dvar2=QL%20and%20QL%20Plus%20Series%20User%27s%20Guide%20\(en\)&dvar3=5481](http://www.zebra.com/id/zebra/na/en/documentlibrary/manuals/en/printer_manuals/ql_series_user_s_guide.File.tmp/UMAN_QLP_001A1.pdf?dvar1=ProductLiterature&dvar2=QL%20and%20QL%20Plus%20Series%20User%27s%20Guide%20(en)&dvar3=5481)>.

Zebra® QL320™ printer image, printed May 27, 2010, <<http://www.barcodesinc.com/images/models/lg/Zebra/ql320.jpg>>.

Zebra® QL Plus™ Series Quick Start Guide, , Rev. A, 2007, <[http://www.zebra.com/id/zebra/na/en/documentlibrary/manuals/en/printer_manuals/ql_series_quick_reference.File.tmp/QSG_QLP_001A3.pdf?dvar1=ProductLiterature&dvar2=QL%20and%20QL%20Plus%20Series%20Quick%20Reference%20Guide%20\(en\)&dvar3=5481](http://www.zebra.com/id/zebra/na/en/documentlibrary/manuals/en/printer_manuals/ql_series_quick_reference.File.tmp/QSG_QLP_001A3.pdf?dvar1=ProductLiterature&dvar2=QL%20and%20QL%20Plus%20Series%20Quick%20Reference%20Guide%20(en)&dvar3=5481)>.

* cited by examiner

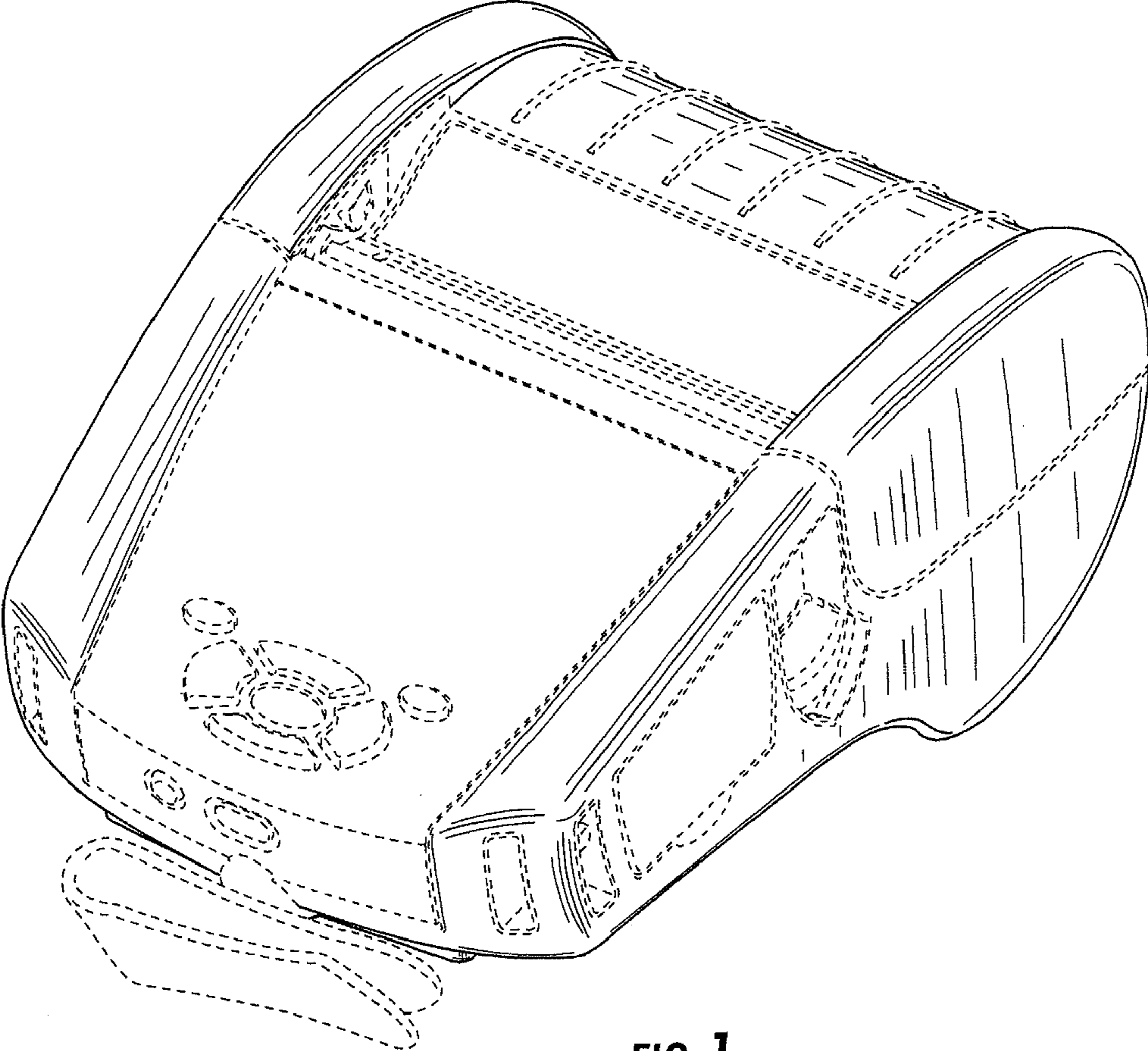


FIG. 1

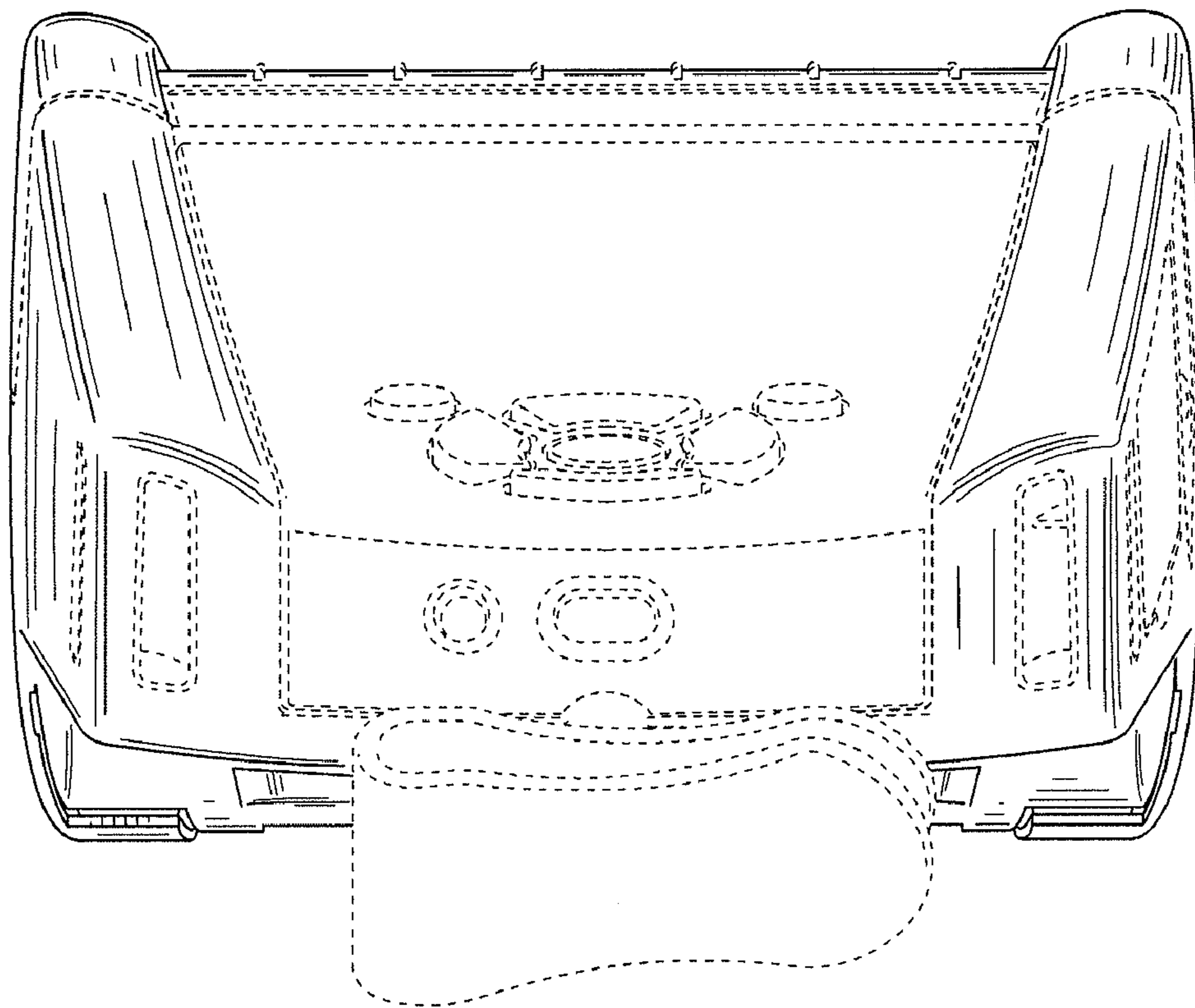


FIG. 2

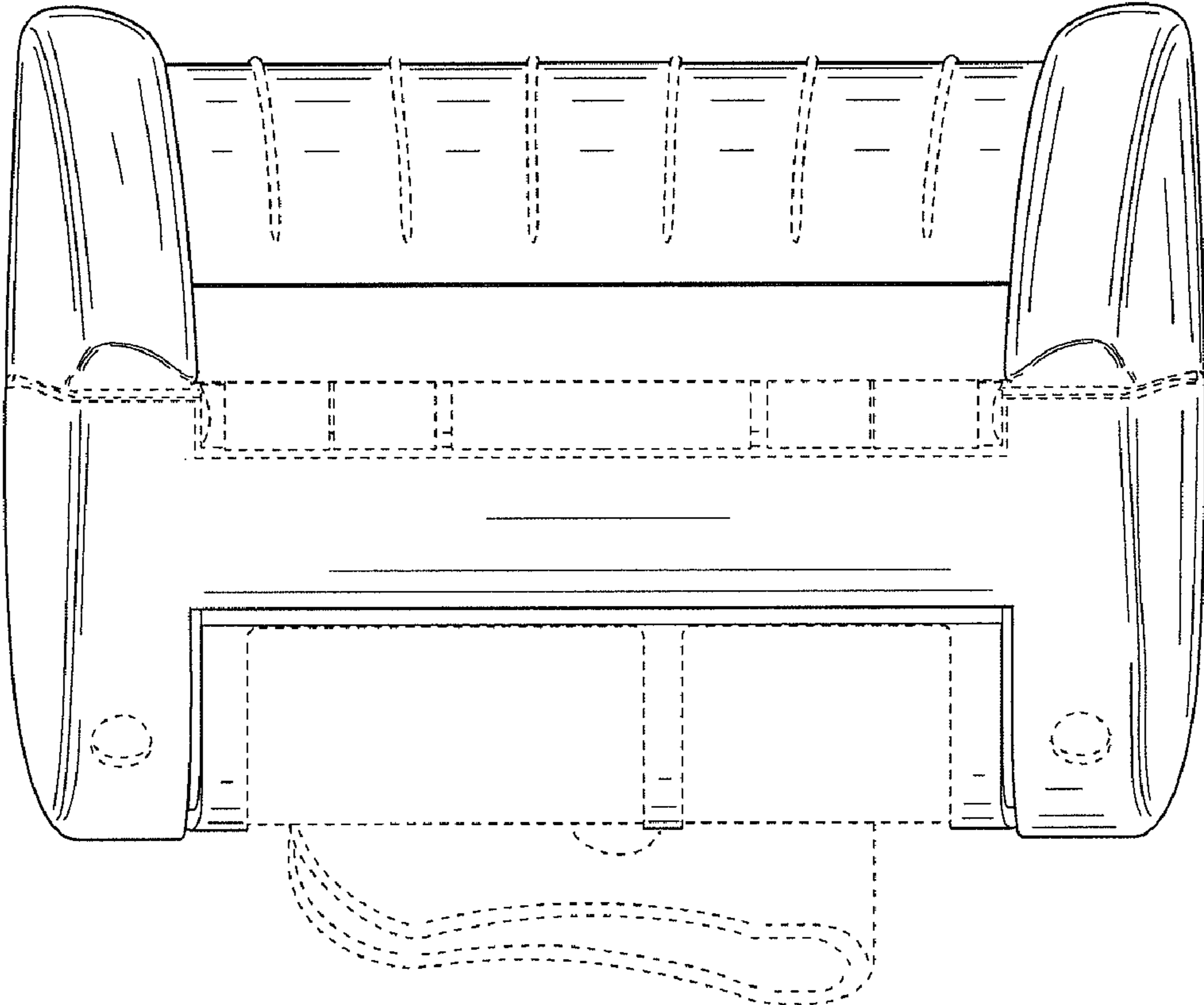


FIG. 3

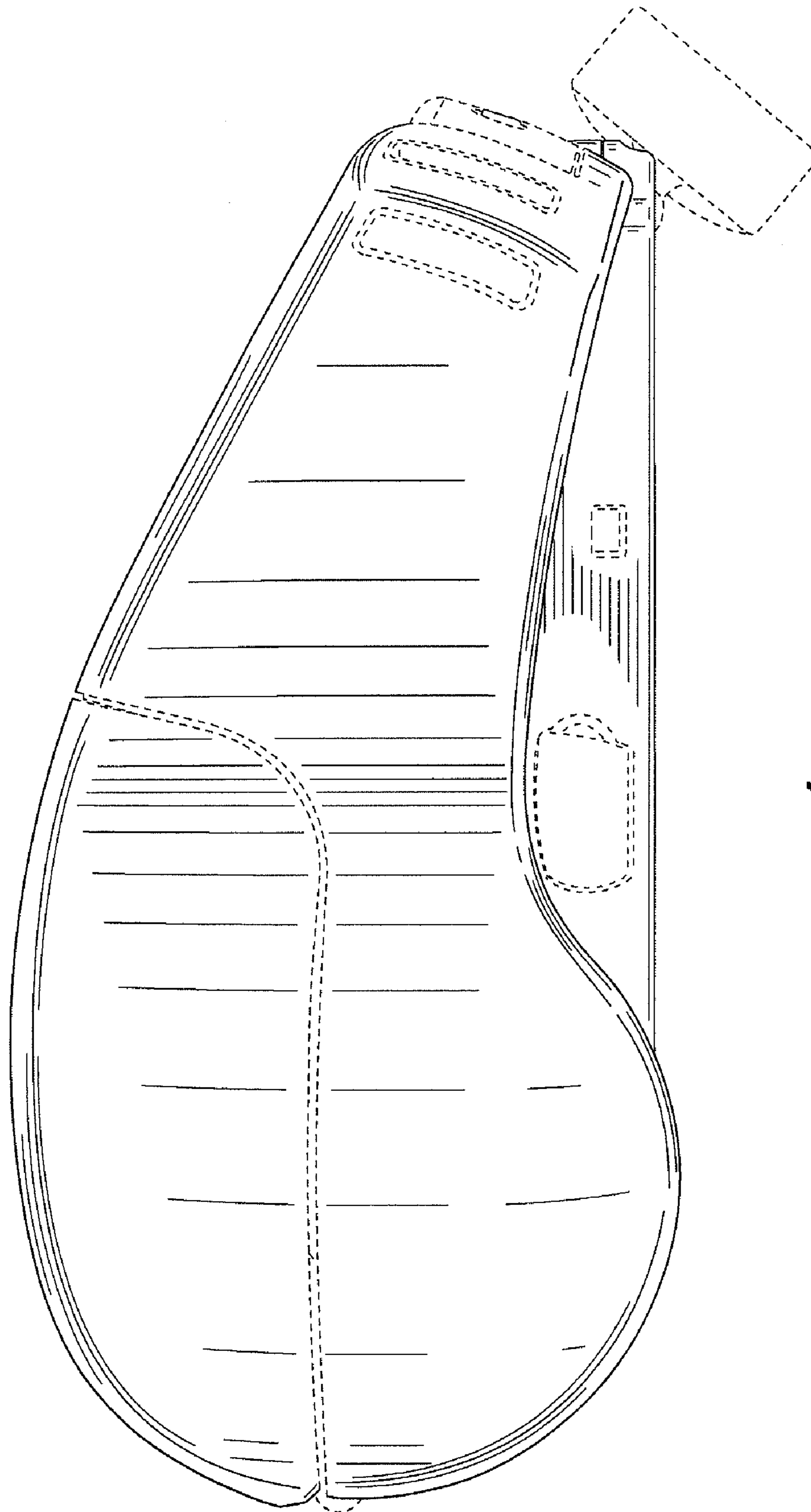


FIG. 4

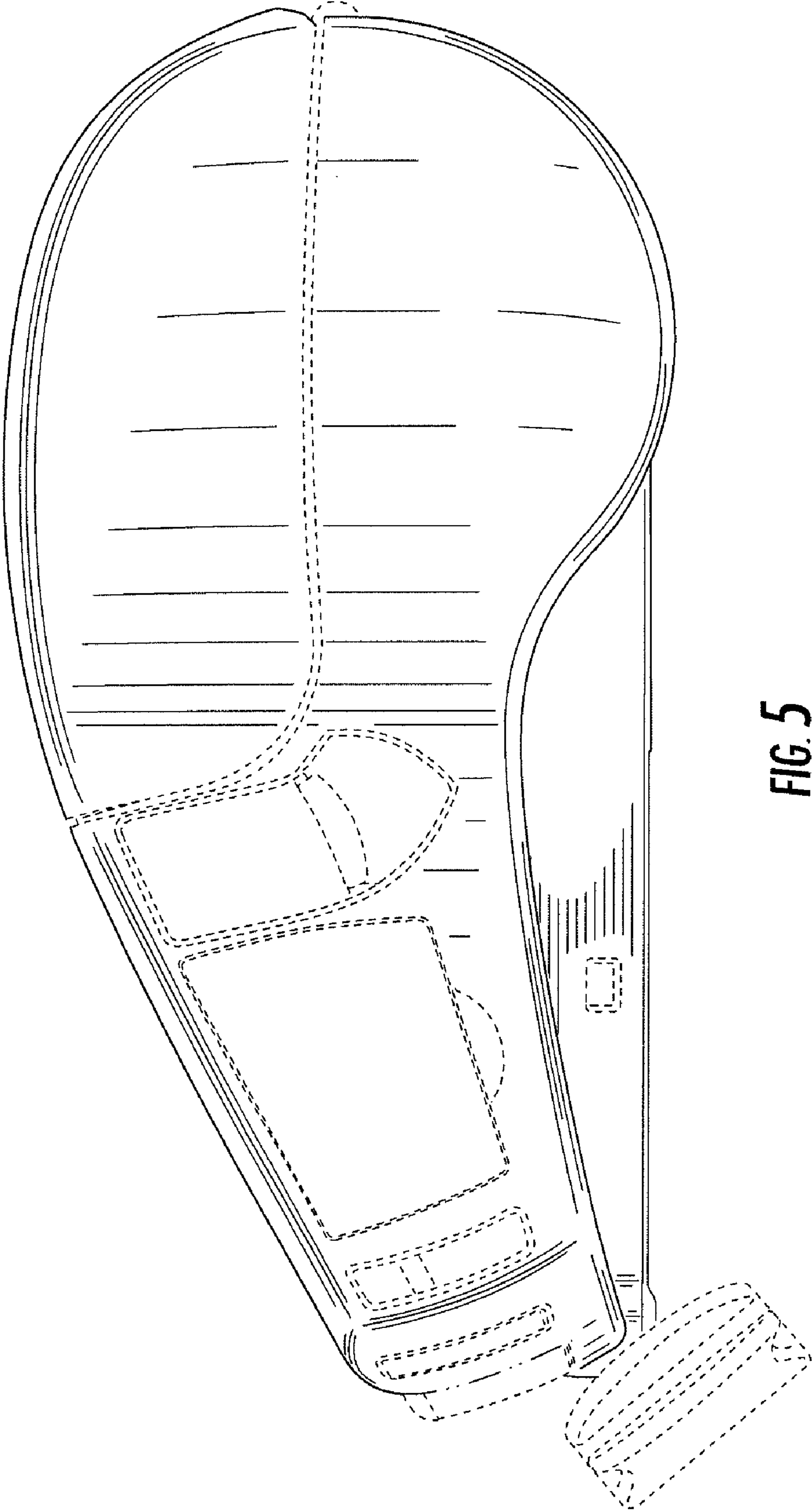


FIG. 5

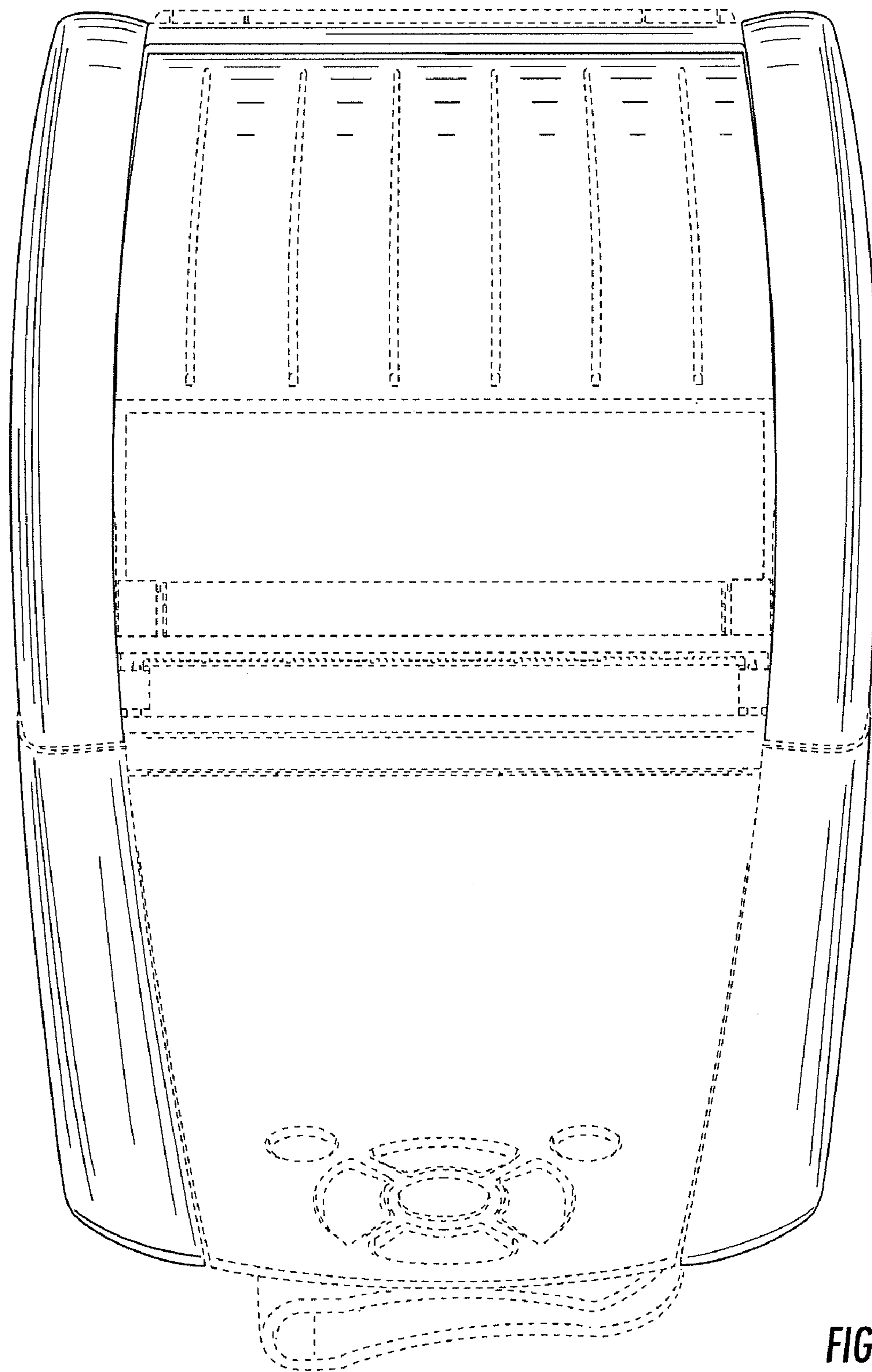


FIG. 6

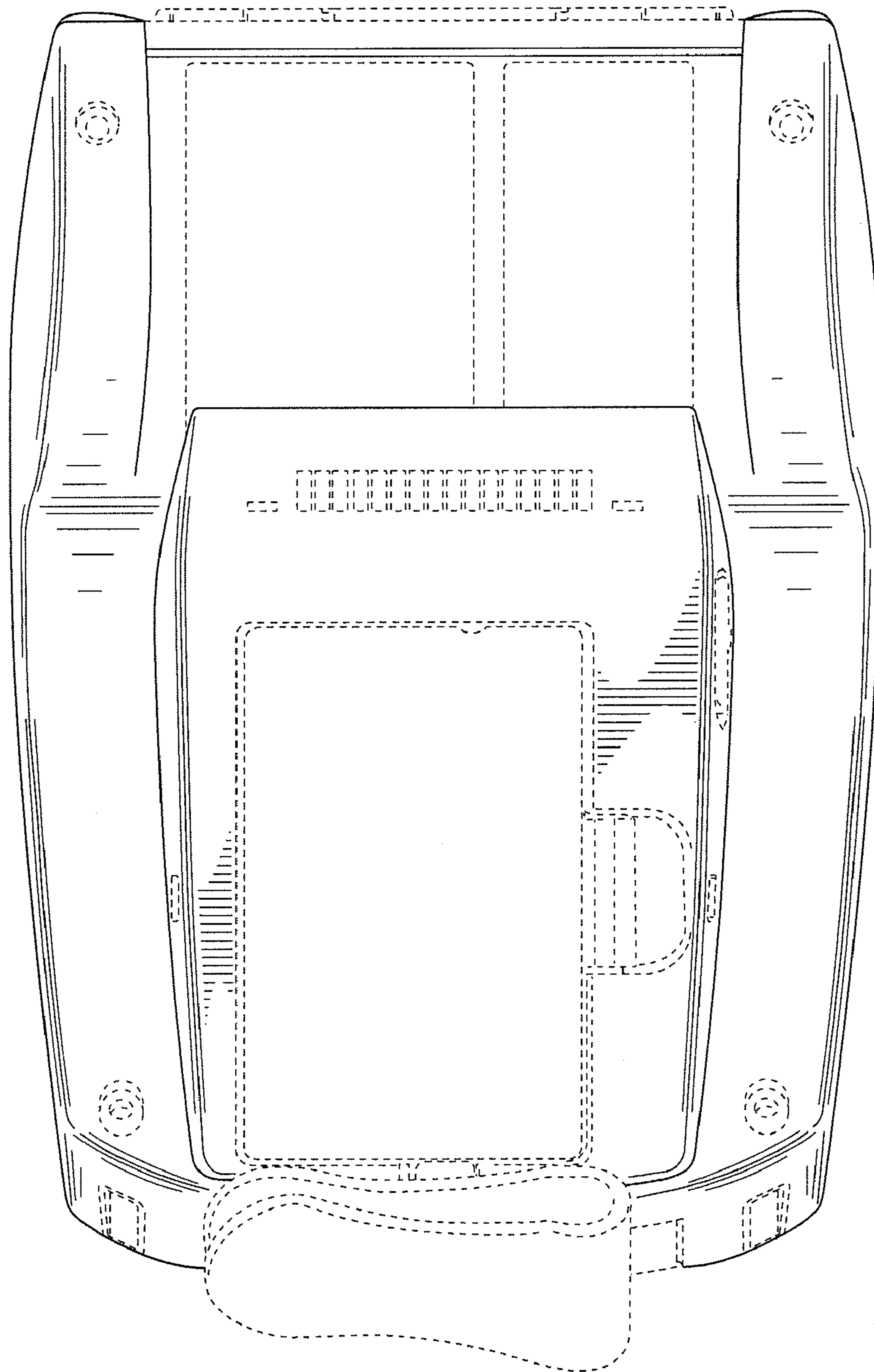


FIG. 7