



US00D654948S

(12) **United States Design Patent**
Richmond

(10) **Patent No.:** **US D654,948 S**

(45) **Date of Patent:** **** Feb. 28, 2012**

(54) **FINGER OPERABLE PERCUSSIVE DEVICE**

(76) Inventor: **Grant Aaron Richmond**, Austin, TX
(US)

(**) Term: **14 Years**

(21) Appl. No.: **29/402,092**

(22) Filed: **Sep. 20, 2011**

(51) **LOC (9) Cl.** **17-04**

(52) **U.S. Cl.** **D17/22**

(58) **Field of Classification Search** D17/22,
D17/99; 84/111, 422.1, 422.2, 422.4, 453,
84/DIG. 12; D21/405

See application file for complete search history.

(56) **References Cited**

U.S. PATENT DOCUMENTS

| | | | | |
|-----------|------|--------|----------|---------|
| 3,027,794 | A * | 4/1962 | Chute | 84/406 |
| 3,499,361 | A * | 3/1970 | Harleman | 84/402 |
| D275,498 | S * | 9/1984 | Strauss | D17/22 |
| D413,618 | S * | 9/1999 | Murwin | D17/22 |
| 6,599,168 | B1 * | 7/2003 | Weaver | 446/397 |
| 6,734,349 | B1 * | 5/2004 | Adams | 84/322 |

* cited by examiner

Primary Examiner — Rashida Johnson

(74) *Attorney, Agent, or Firm* — Buskop Law Group, PC;
Wendy Buskop

(57) **CLAIM**

The ornamental design for a finger operable percussive device, as shown and described.

DESCRIPTION

FIG. 1 is an isometric view of the finger operable percussive device.

FIG. 2 is a top view of the finger operable percussive device.

FIG. 3 is a bottom view of the finger operable percussive device.

FIG. 4 is a first side view of the finger operable percussive device.

FIG. 5 is a second side view of the finger operable percussive device.

FIG. 6 is a front view of the finger operable percussive device; and,

FIG. 7 is a back view of the finger operable percussive device.

1 Claim, 7 Drawing Sheets

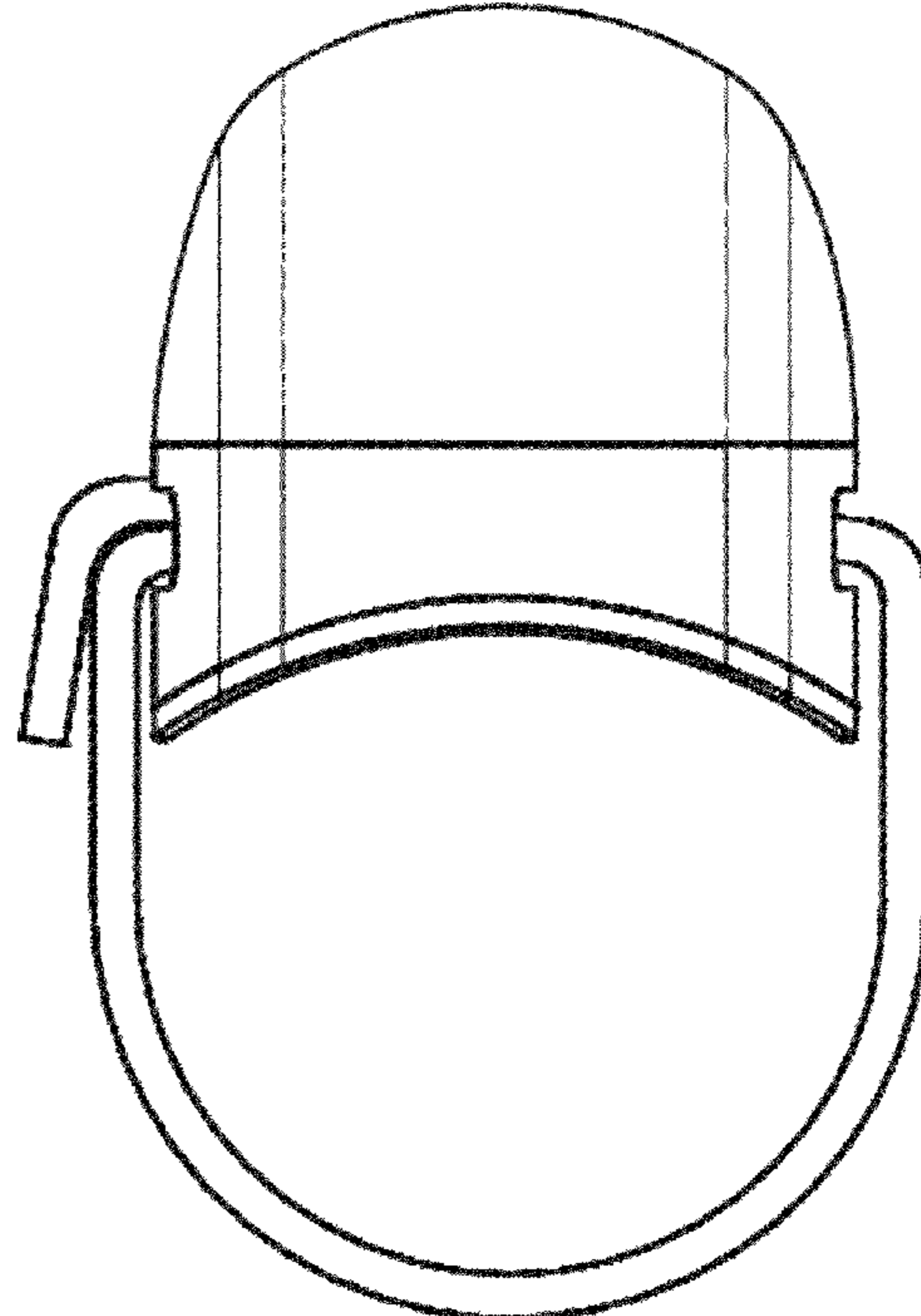
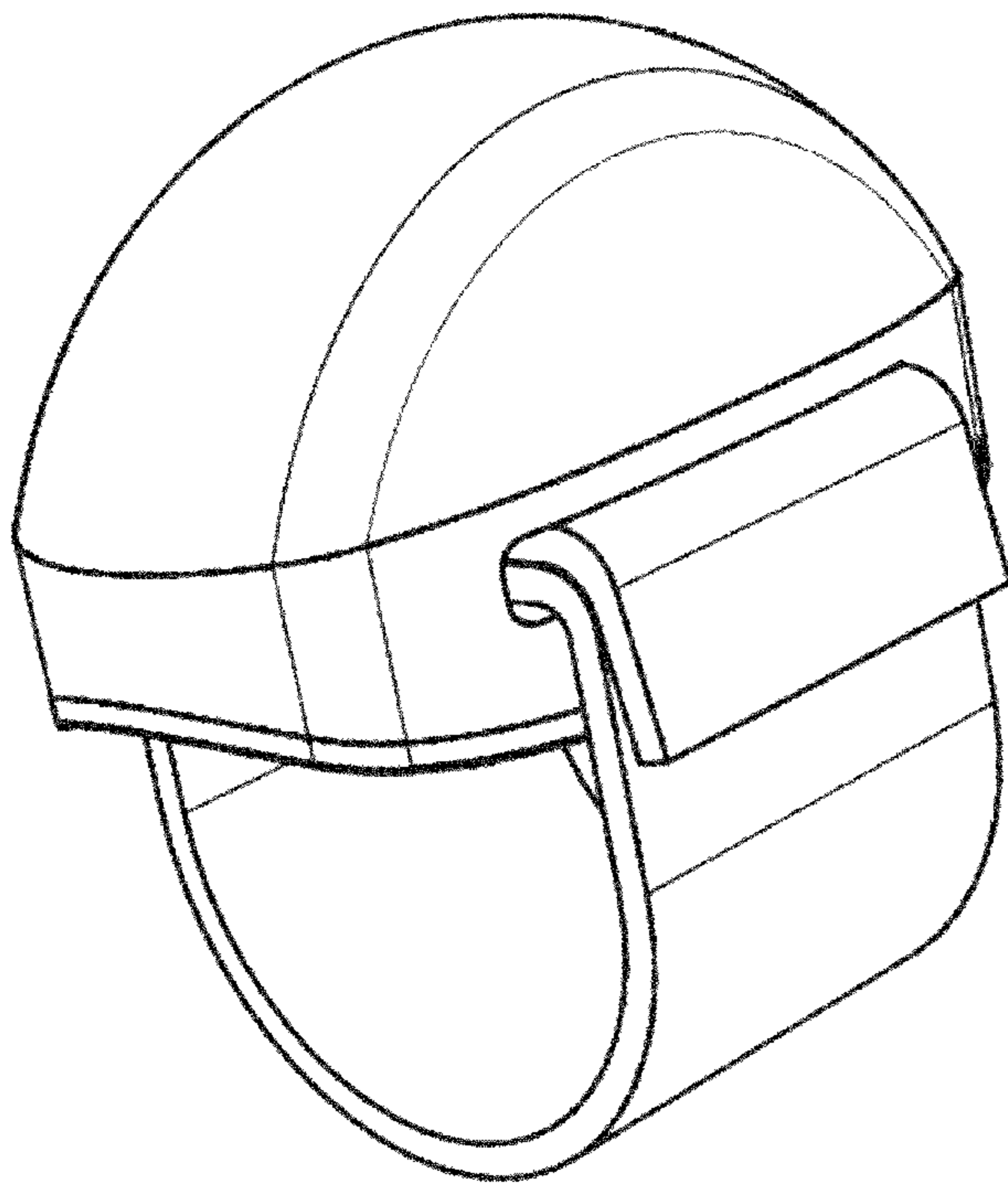


FIGURE 1

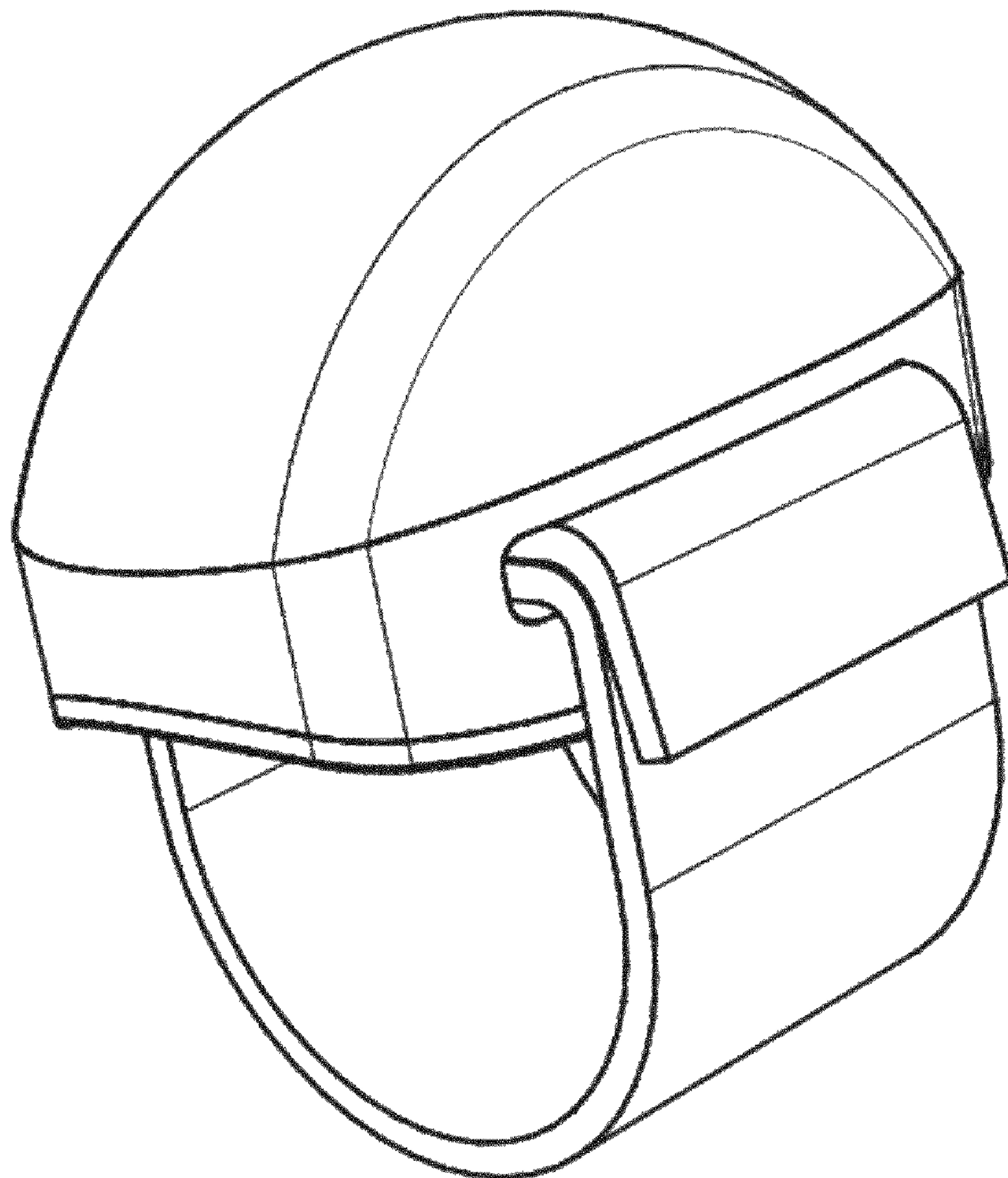


FIGURE 2

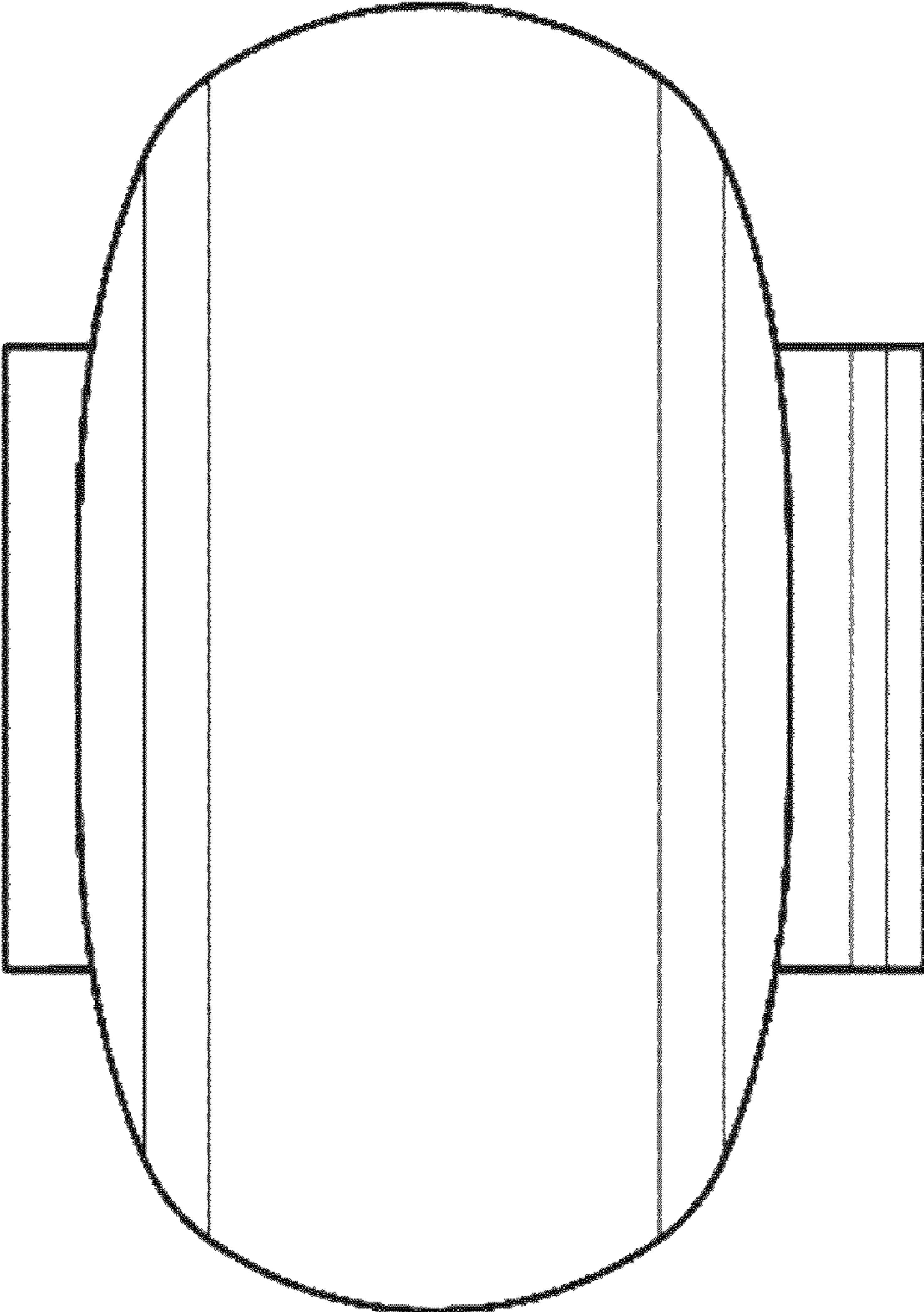


FIGURE 3

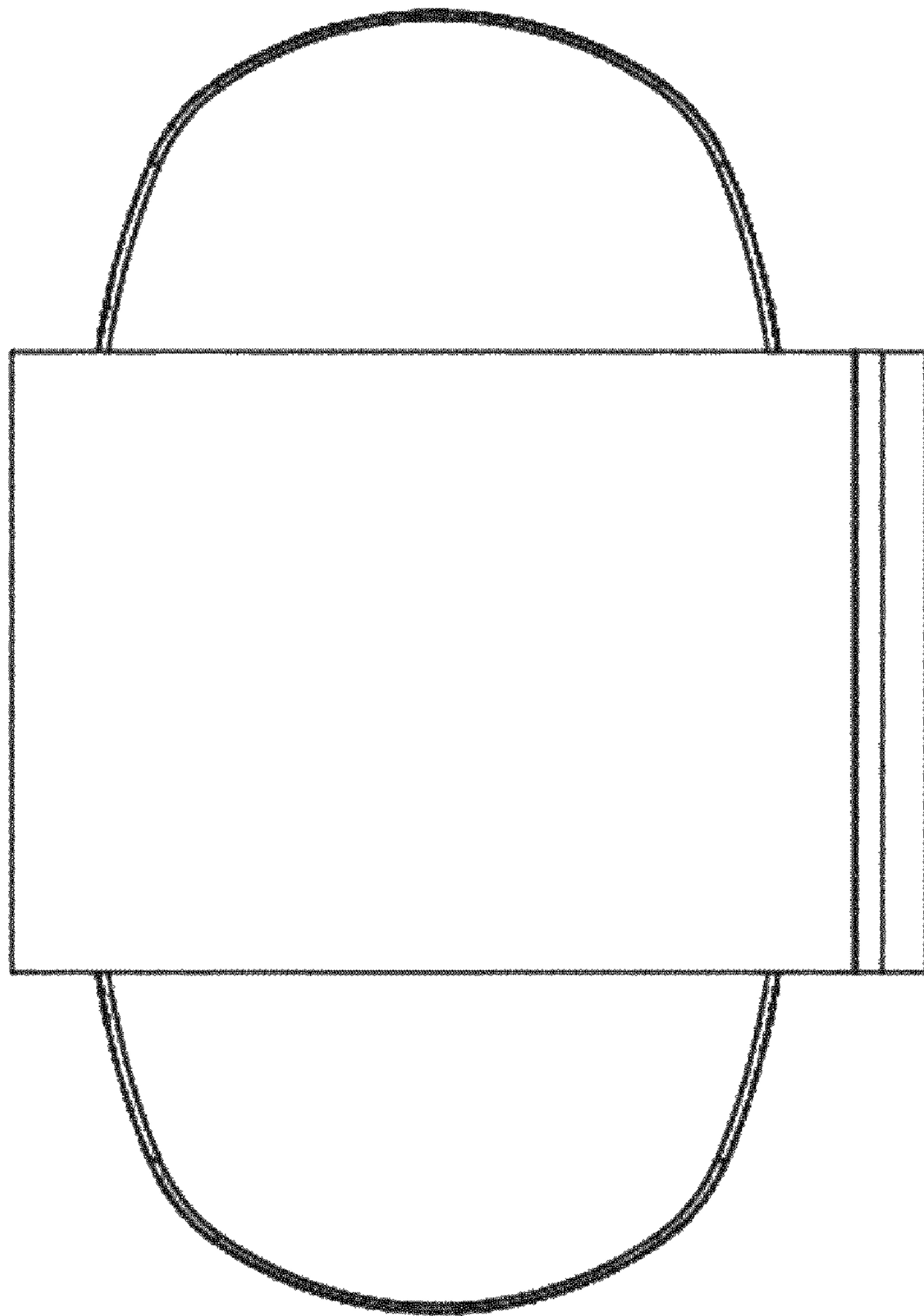


FIGURE 4

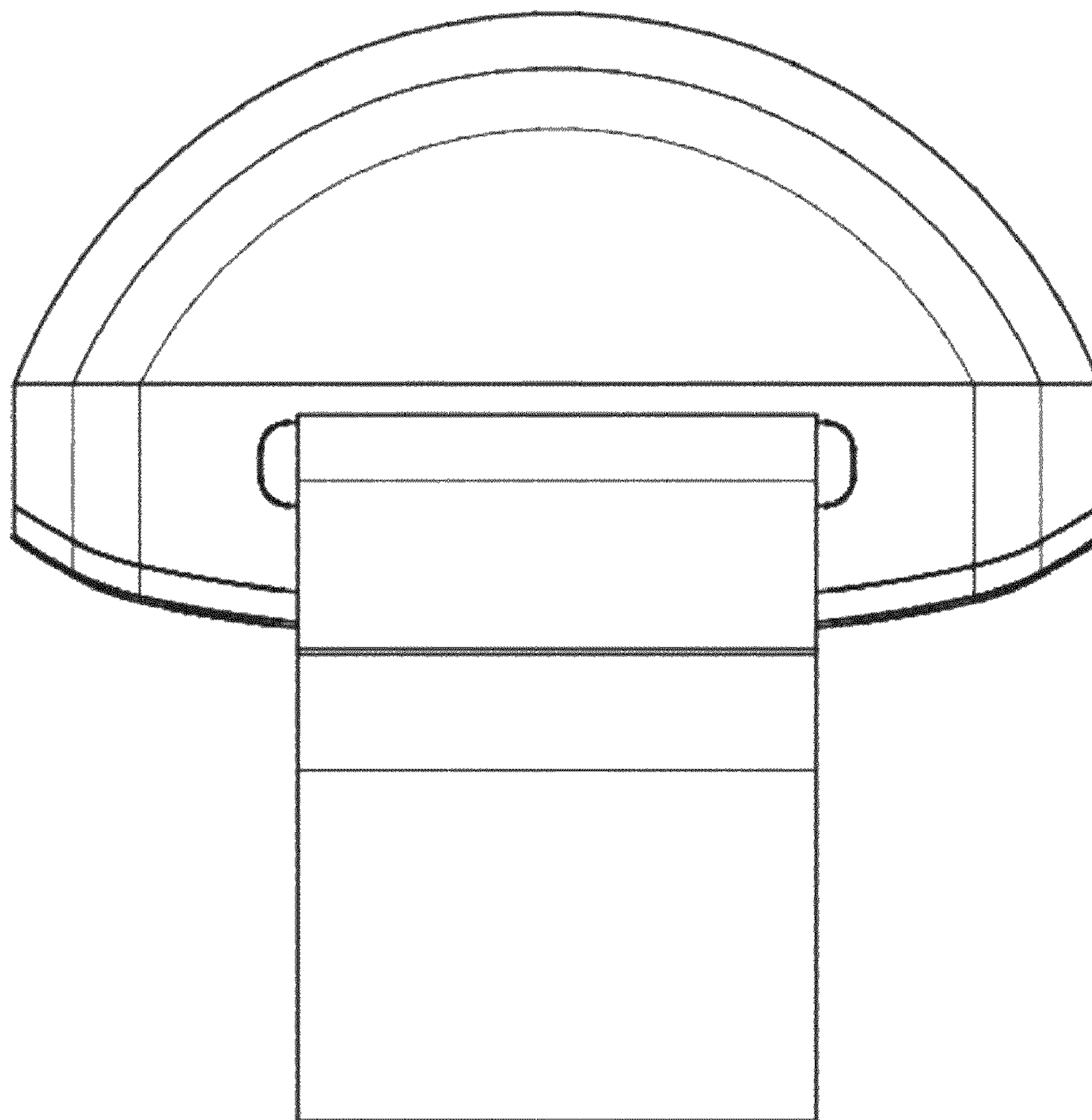


FIGURE 5

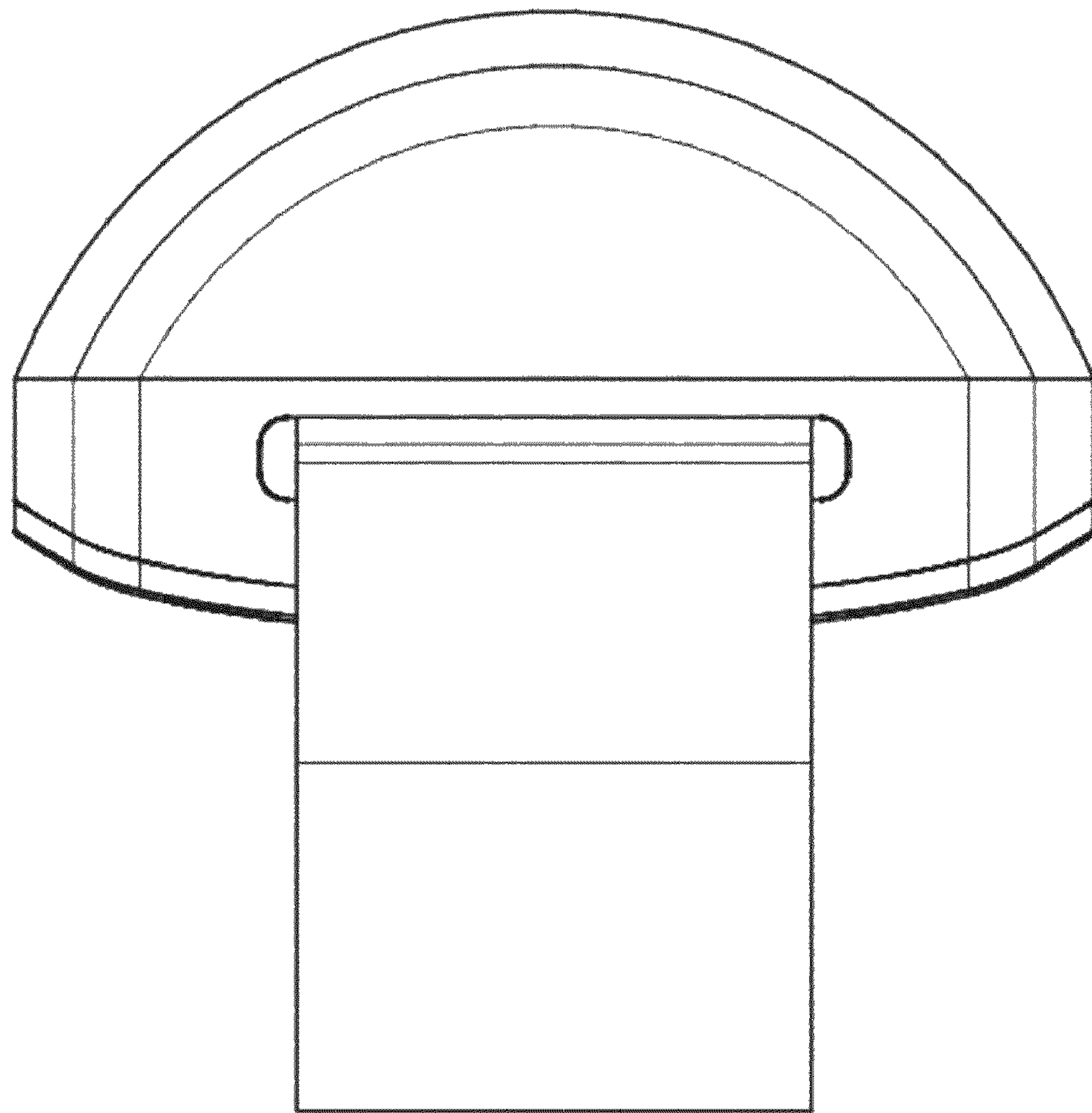


FIGURE 6

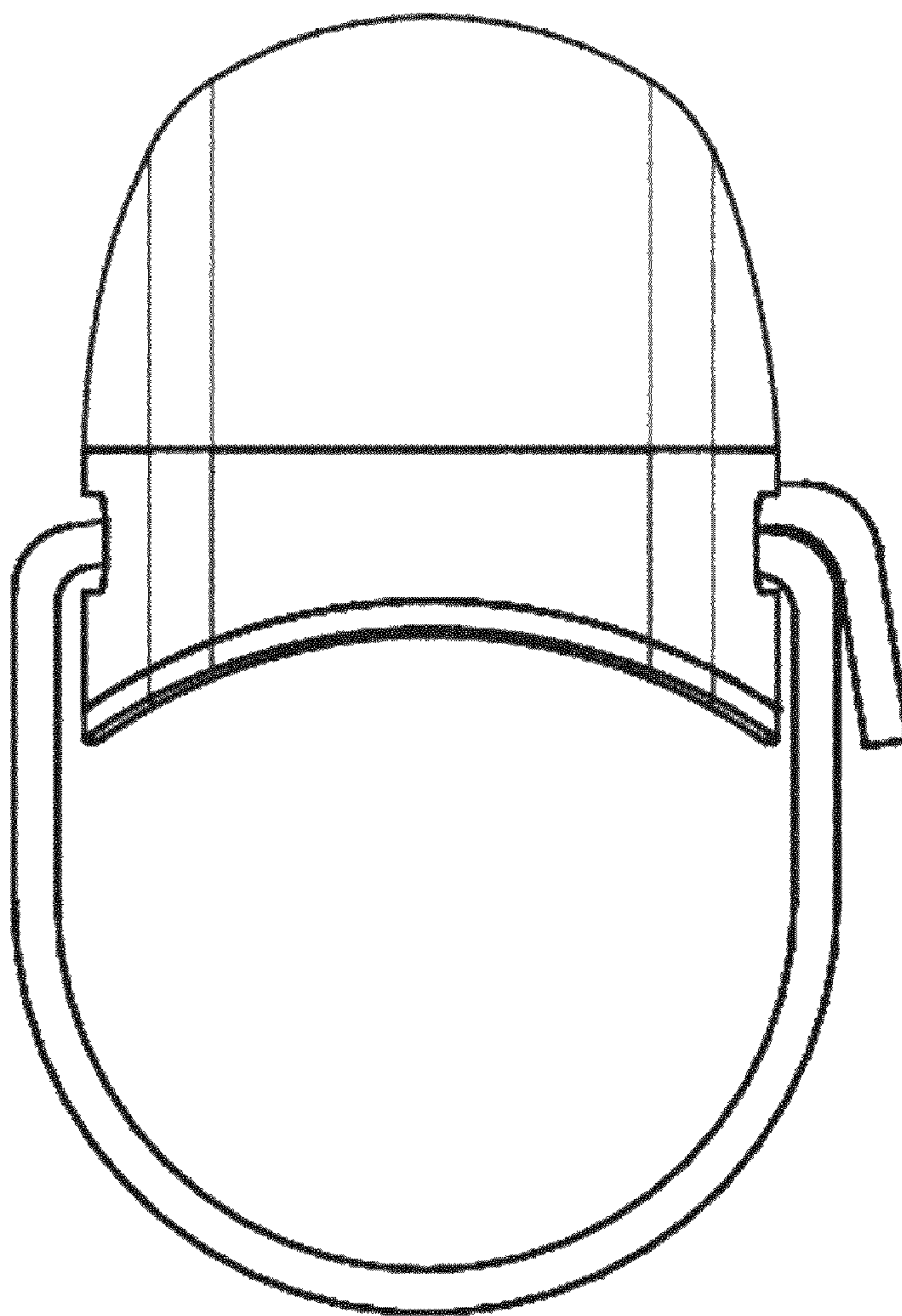


FIGURE 7

