



US00D654944S

(12) **United States Design Patent**  
**Ogawa et al.**

(10) **Patent No.:** **US D654,944 S**

(45) **Date of Patent:** **\*\* \*Feb. 28, 2012**

(54) **PROJECTOR**

(75) Inventors: **Susumu Ogawa**, Tokyo (JP); **Takayuki Okamoto**, Tokyo (JP); **Yuichiro Nara**, Tokyo (JP); **Mitsuhiro Shimizu**, Tokyo (JP)

(73) Assignee: **NEC Display Solutions, Ltd.**, Tokyo (JP)

(\*) Notice: This patent is subject to a terminal disclaimer.

(\*\*) Term: **14 Years**

(21) Appl. No.: **29/379,859**

(22) Filed: **Nov. 24, 2010**

(30) **Foreign Application Priority Data**

May 28, 2010 (JP) ..... 2010-13284

(51) **LOC (9) Cl.** ..... **16-02**

(52) **U.S. Cl.** ..... **D16/230; D16/225**

(58) **Field of Classification Search** ..... D16/205, D16/208, 221, 225, 230-231, 234-235; D21/514; 353/115, 119, 122, 88, 101; 396/448  
See application file for complete search history.

(56) **References Cited**

**U.S. PATENT DOCUMENTS**

D474,799 S \* 5/2003 Kawasaki et al. .... D16/230  
D497,929 S \* 11/2004 Ohki et al. .... D16/230

D531,654 S \* 11/2006 Lin et al. .... D16/230  
D548,264 S \* 8/2007 Sakamaki et al. .... D16/230  
D551,691 S \* 9/2007 Sakamaki et al. .... D16/230  
D564,566 S \* 3/2008 Naruki ..... D16/230  
D591,784 S \* 5/2009 Inoue et al. .... D16/230  
D597,120 S \* 7/2009 Oota ..... D16/235  
D606,110 S \* 12/2009 Inoue et al. .... D16/230  
D608,814 S \* 1/2010 Nagase ..... D16/230  
7,677,739 B2 \* 3/2010 Kuroda ..... 353/88  
D615,575 S \* 5/2010 Inoue et al. .... D16/230

\* cited by examiner

*Primary Examiner* — Wan Laymon

(74) *Attorney, Agent, or Firm* — Sughrue Mion, PLLC

(57) **CLAIM**

The ornamental design for a projector, as shown and described.

**DESCRIPTION**

FIG. 1 is a front, right side, top perspective view of a projector showing our new design;

FIG. 2 is a front elevational view thereof;

FIG. 3 is a rear elevational view thereof;

FIG. 4 is a left side view thereof;

FIG. 5 is a right side view thereof;

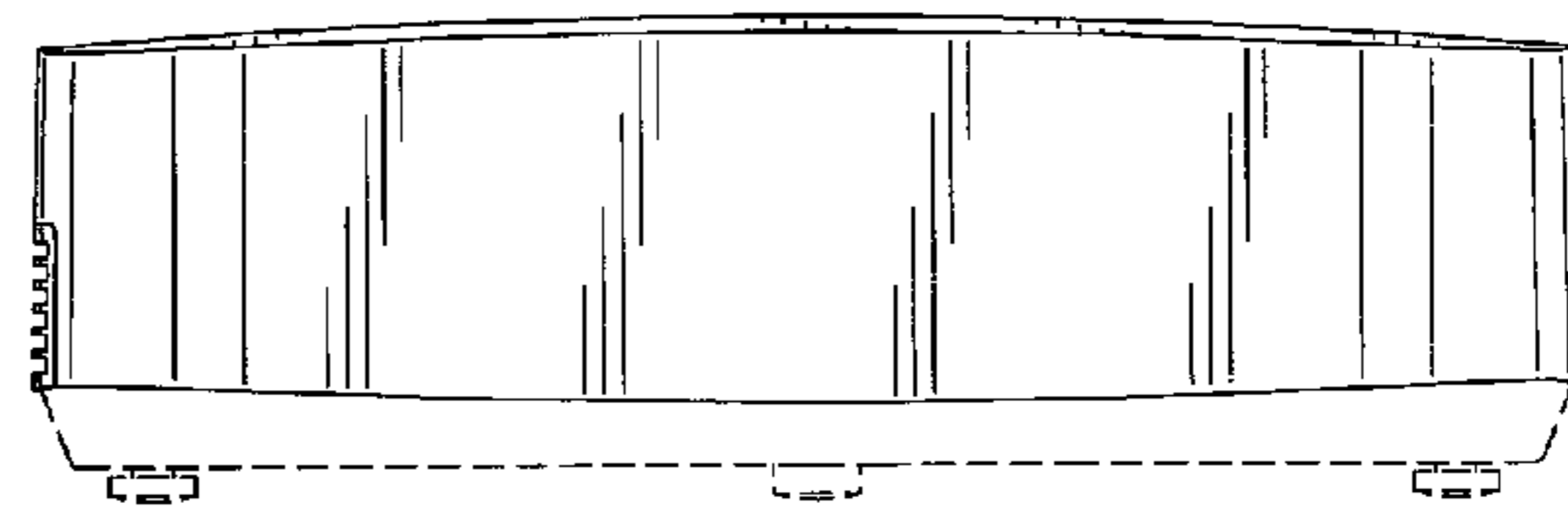
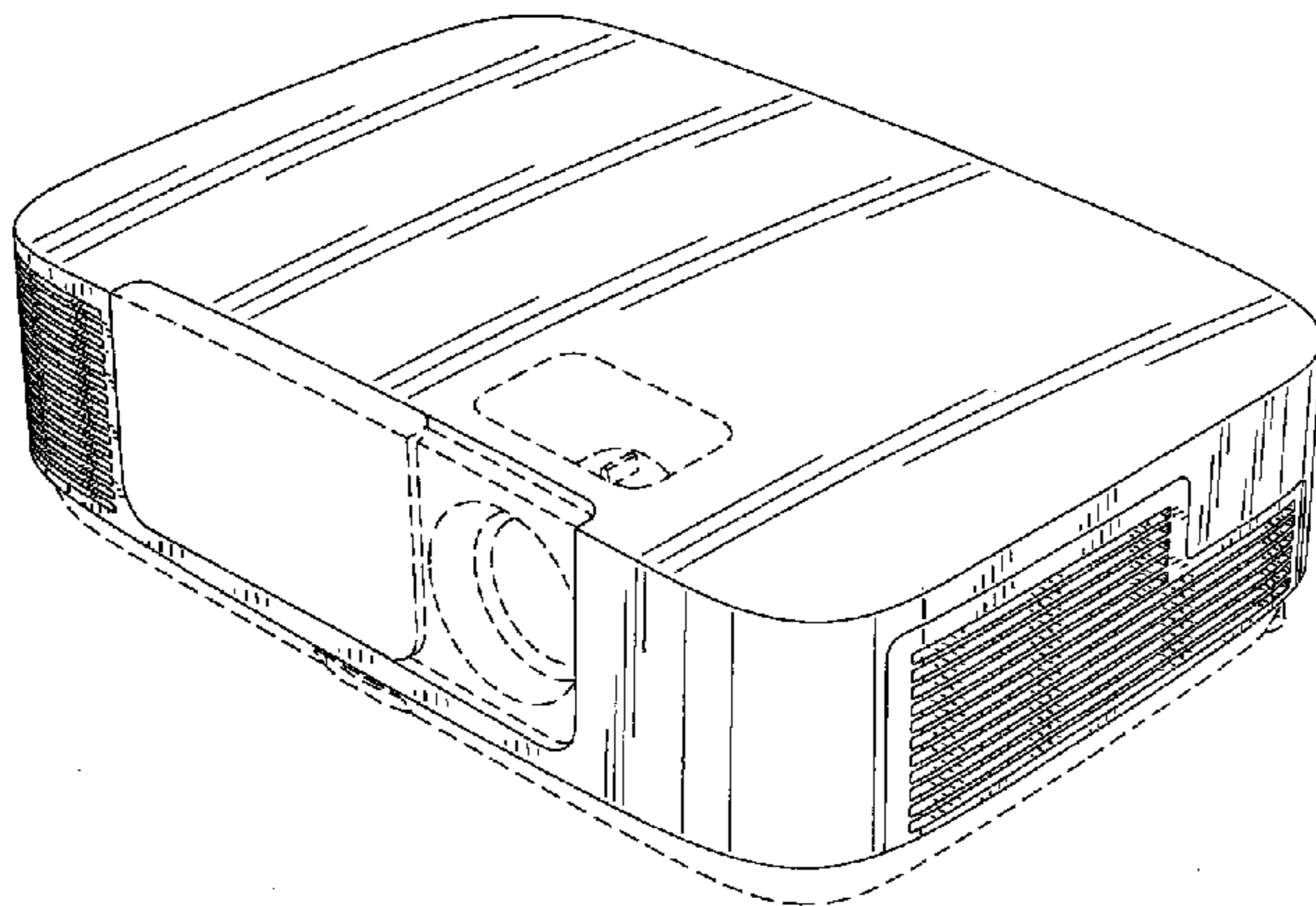
FIG. 6 is a top plan view thereof;

FIG. 7 is a bottom plan view thereof; and,

FIG. 8 is a perspective view thereof, showing a state in which a lens cover is closed.

The portions of the projector shown in broken lines form no part of the claimed design.

**1 Claim, 8 Drawing Sheets**



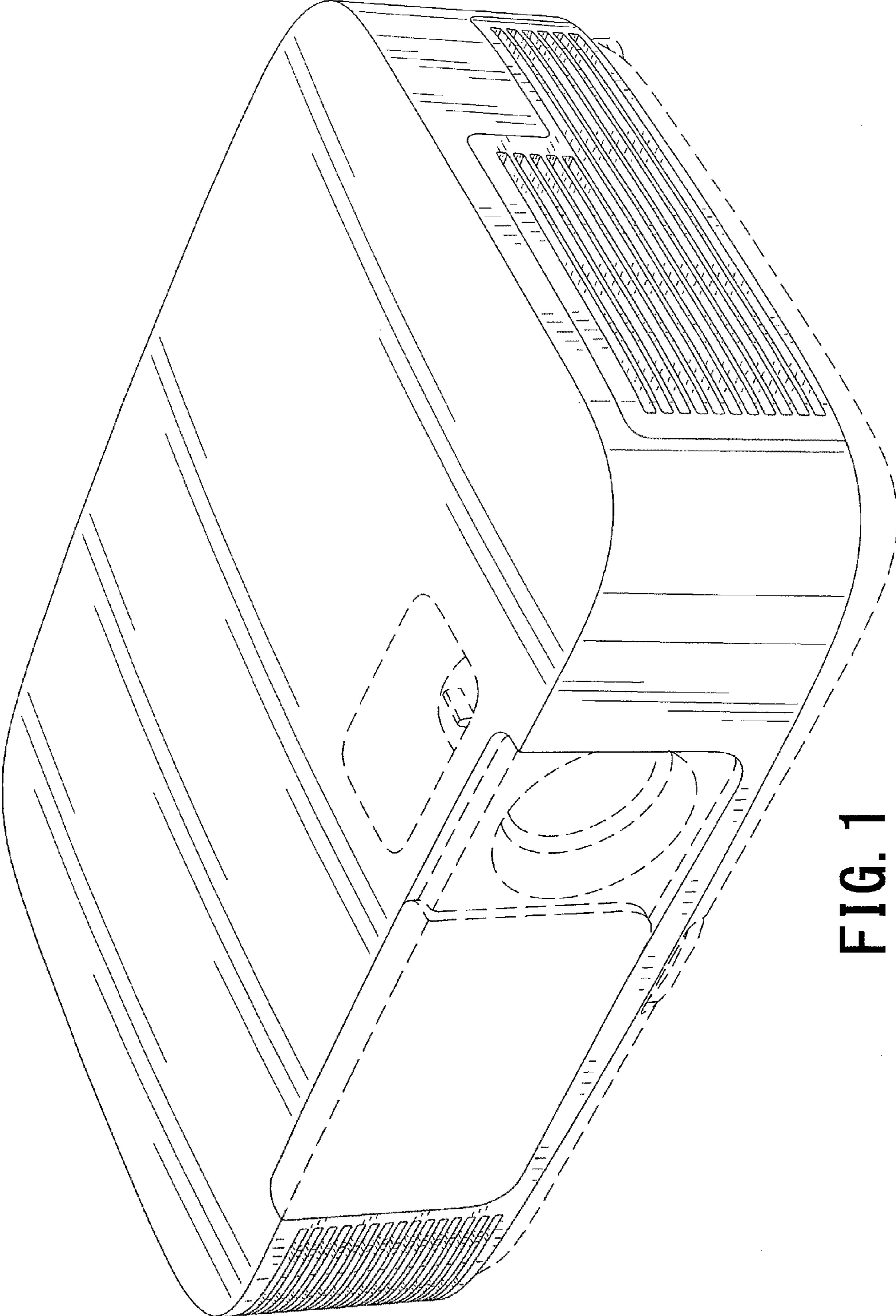


FIG. 1

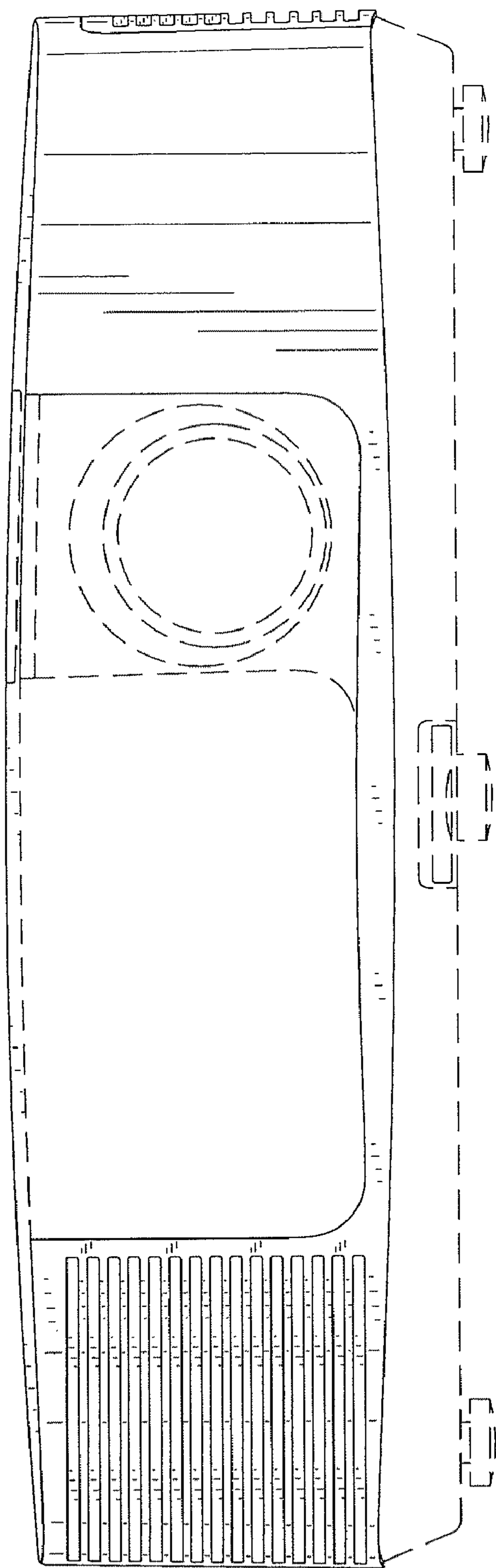


FIG. 2

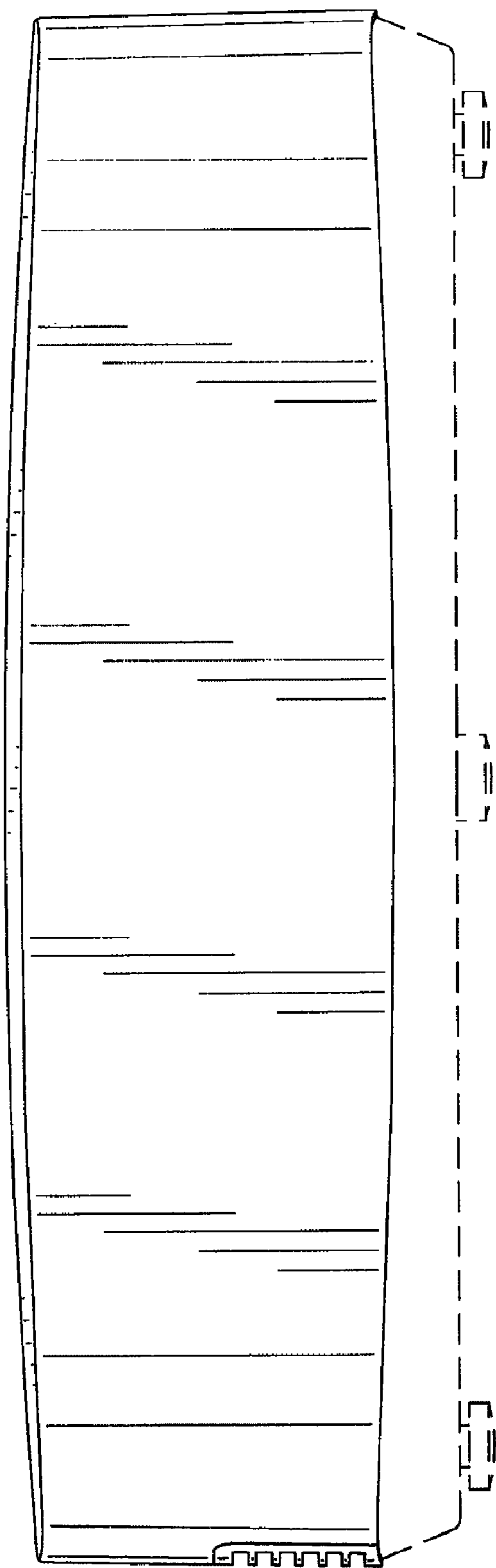


FIG. 3

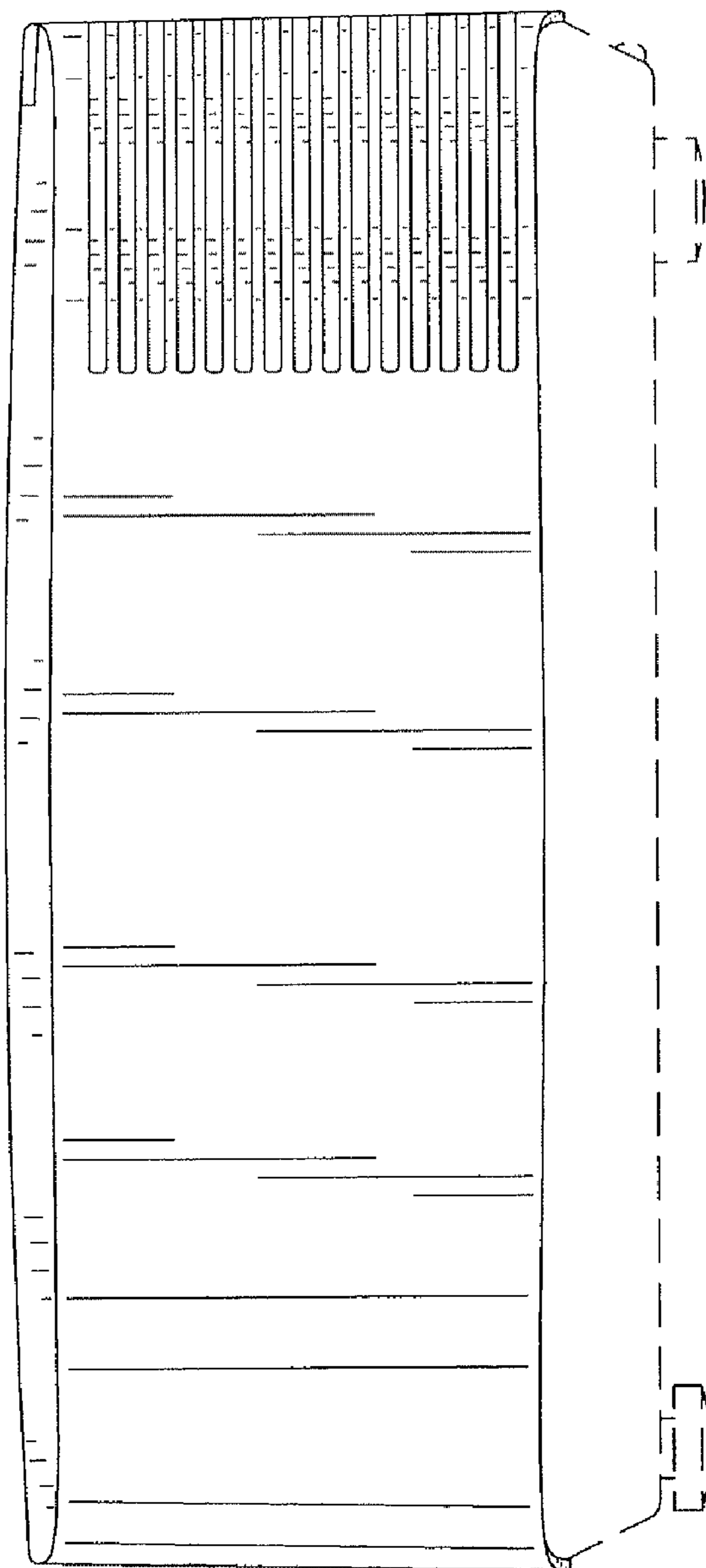


FIG. 4

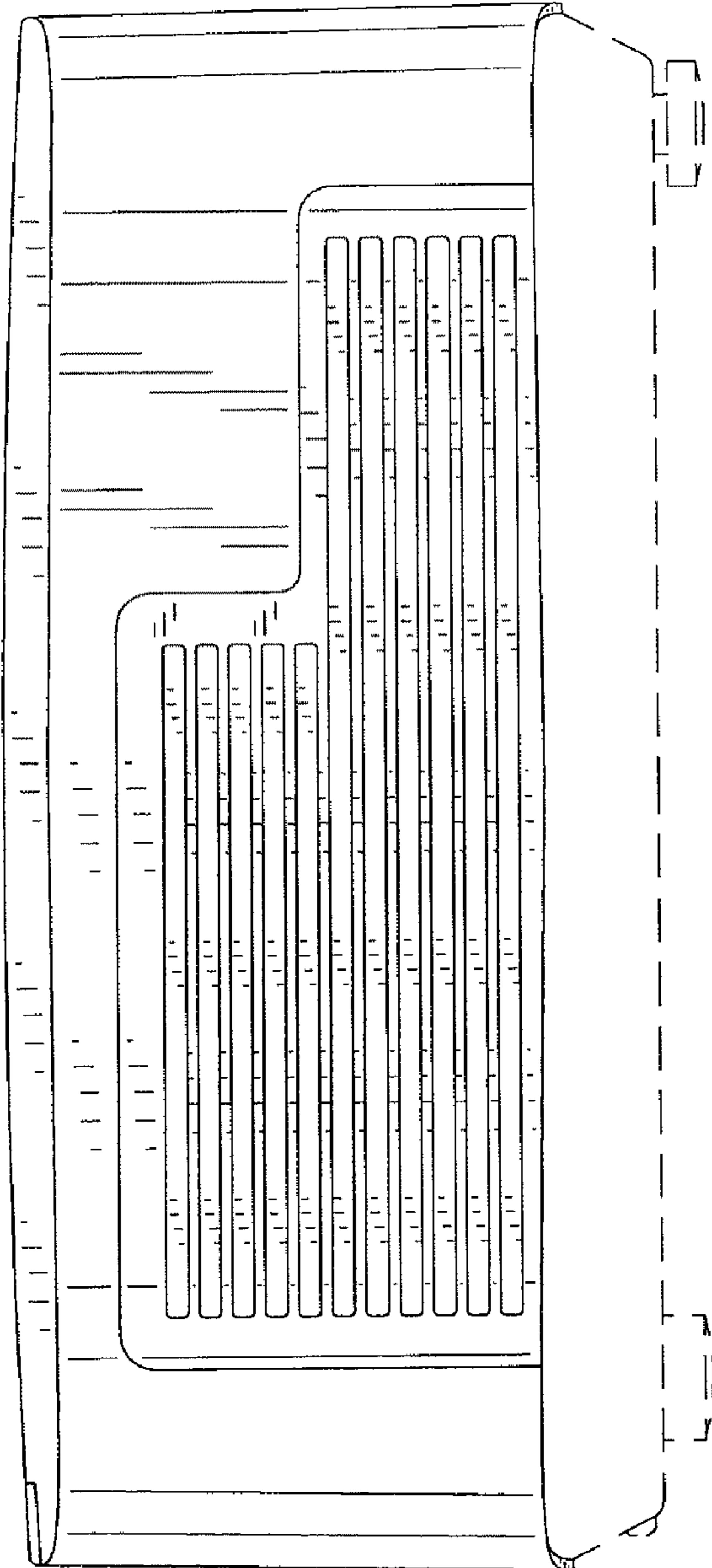


FIG. 5

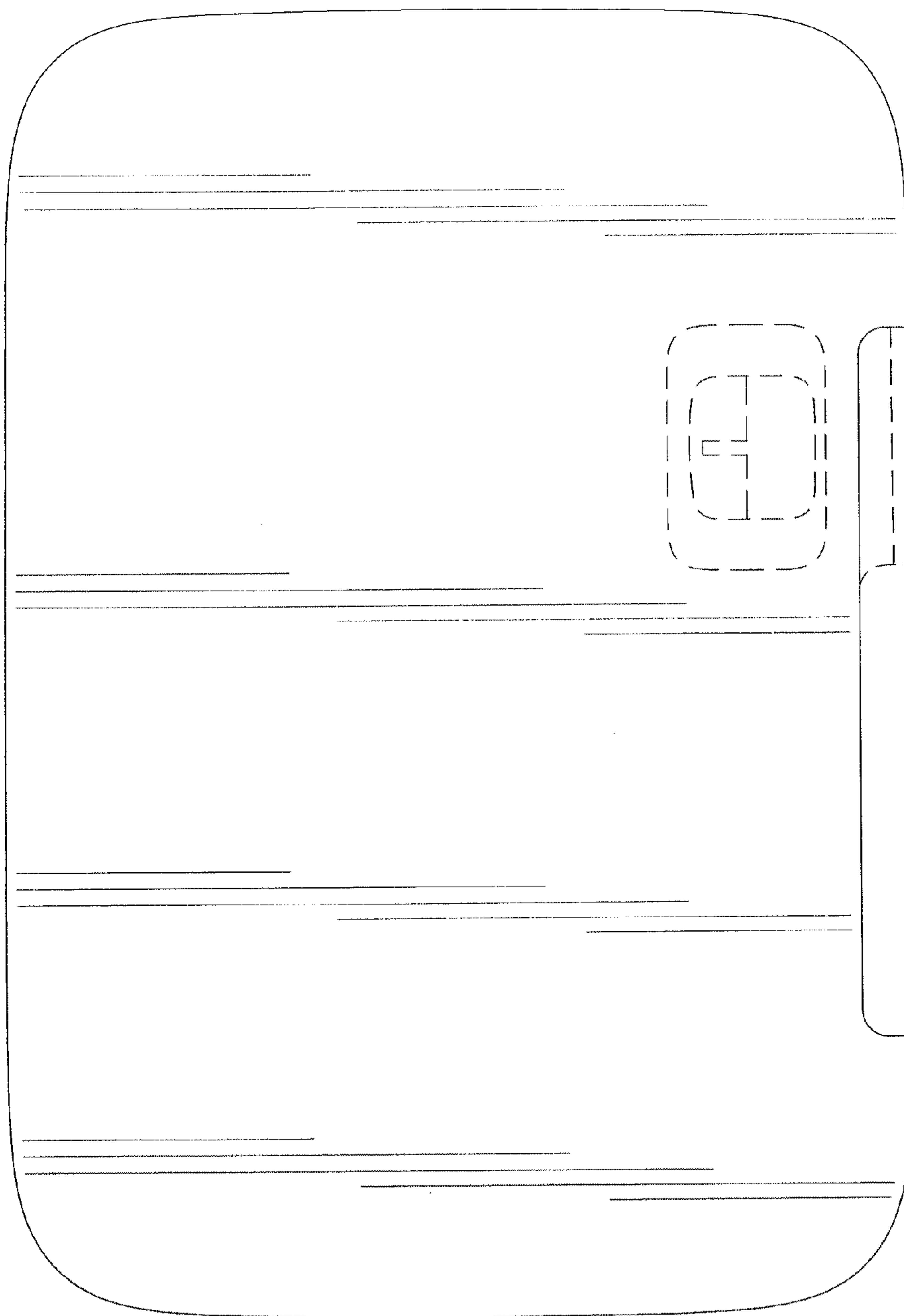


FIG. 6

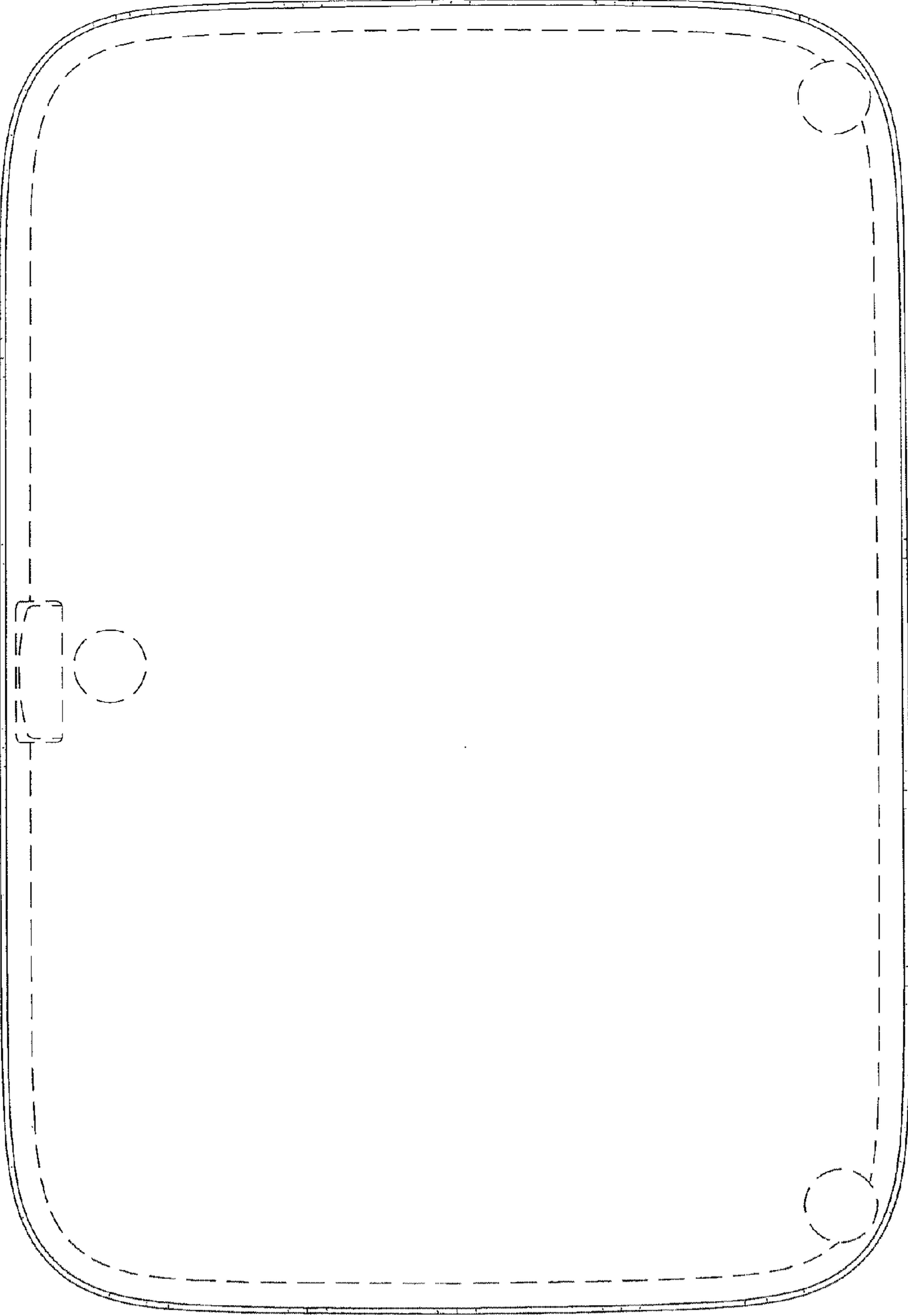


FIG. 7



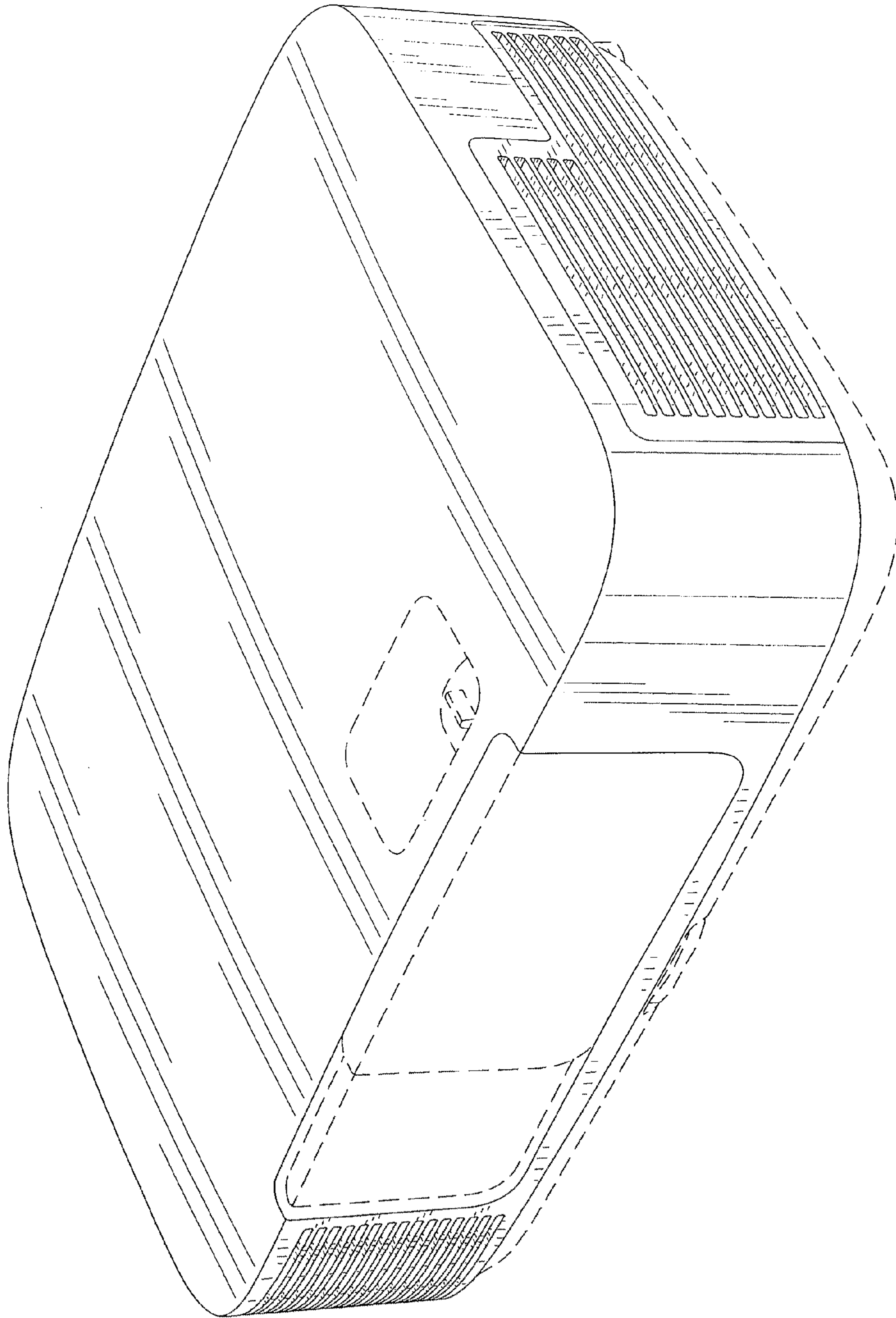


FIG. 8