



US00D654943S

(12) **United States Design Patent**
Ogasawara et al.

(10) **Patent No.:** **US D654,943 S**
(45) **Date of Patent:** **** Feb. 28, 2012**

- (54) **DIGITAL CAMERA**
- (75) Inventors: **Michiyo Ogasawara**, Tokyo (JP); **Ken Moro**, Kanagawa (JP)
- (73) Assignee: **Nikon Corporation** (JP)
- (**) Term: **14 Years**
- (21) Appl. No.: **29/373,114**
- (22) Filed: **Mar. 1, 2011**
- (30) **Foreign Application Priority Data**

- Sep. 6, 2010 (JP) 2010-021506
 - (51) **LOC (9) Cl.** **16-05**
 - (52) **U.S. Cl.** **D16/219; D16/202**
 - (58) **Field of Classification Search** D16/200–204,
D16/208, 218, 19; 348/373–376; 358/909.1;
396/6, 535–541
- See application file for complete search history.

(56) **References Cited**

U.S. PATENT DOCUMENTS

D466,914 S	*	12/2002	Kumakura	D16/202
D491,597 S	*	6/2004	Haga	D16/219
D530,357 S	*	10/2006	Takahashi et al.	D16/202
D555,694 S	*	11/2007	Yoo et al.	D16/219
D596,217 S	*	7/2009	Kim et al.	D16/219
D596,218 S	*	7/2009	Kim et al.	D16/219
D633,934 S	*	3/2011	Funakoshi	D16/202
D638,460 S	*	5/2011	Funakoshi	D16/219
D640,301 S	*	6/2011	Nohara	D16/218
D640,720 S	*	6/2011	Yoshii et al.	D16/202

OTHER PUBLICATIONS

“Photograph of a Camera”, published in *Le Photograohe*, (JPO Reference No. HB08023797), (Nov. 30, 1996), 2 pgs.

“Photograph of a Camera”, published in *Weekly ASCCI*, (JPO Reference No. HA16002141), (Mar. 30, 2004), 2 pgs.
“Photograph of a Camera”, published in *Mono Magazine*, (JPO Reference No. HA09002751), (Feb. 16, 1997), 2 pgs.
“Photograph of a Camera”, published in *Mono Magazine*, (JPO Reference No. HA09002732), (Feb. 16, 1997), 2 pgs.

* cited by examiner

Primary Examiner — Adir Aronovich

(74) *Attorney, Agent, or Firm* — Schwegman, Lundberg & Woessner, P.A.

(57) **CLAIM**

The ornamental design for a digital camera, as shown and described.

DESCRIPTION

FIG. 1 is a front perspective view of a digital camera showing our new design;
FIG. 2 is a rear perspective view thereof;
FIG. 3 is a front elevational view thereof;
FIG. 4 is a rear elevational view thereof;
FIG. 5 is a top plan view thereof;
FIG. 6 is a right side elevational view thereof; and,
FIG. 7 is a left side elevational view thereof.
FIG. 8 is a cross-sectional view taken along line 8-8 in FIG. 3, wherein the internal structure is omitted; and,
FIG. 9 is a cross-sectional view taken along line 9-9 in FIG. 3, wherein the internal structure is omitted.
The features shown in broken lines in the drawings depict environmental subject matter only and form no part of the claimed design. The dashed-dotted lines denote the boundary of the claim and form no part of the claimed design.

1 Claim, 7 Drawing Sheets

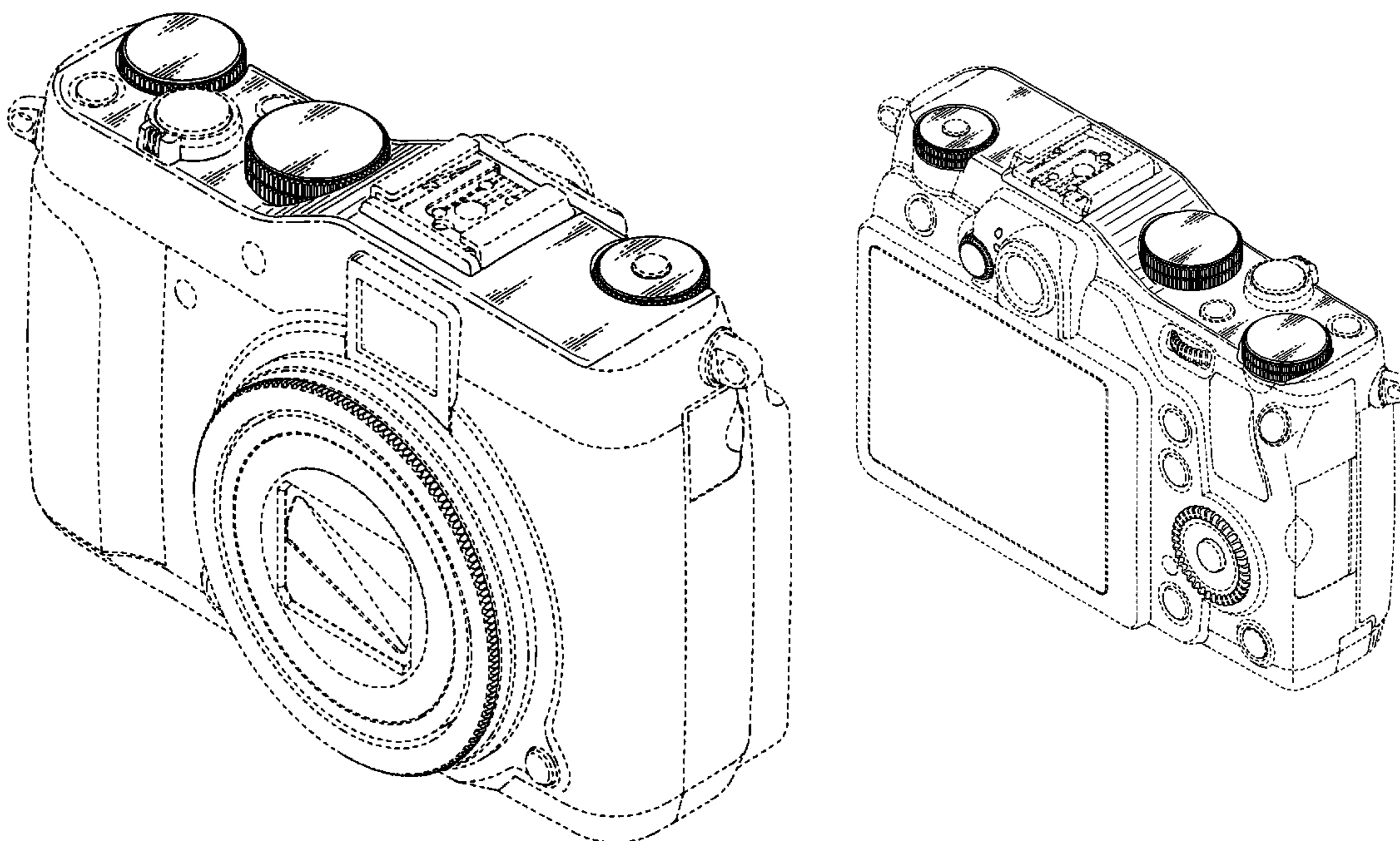


FIG. 1

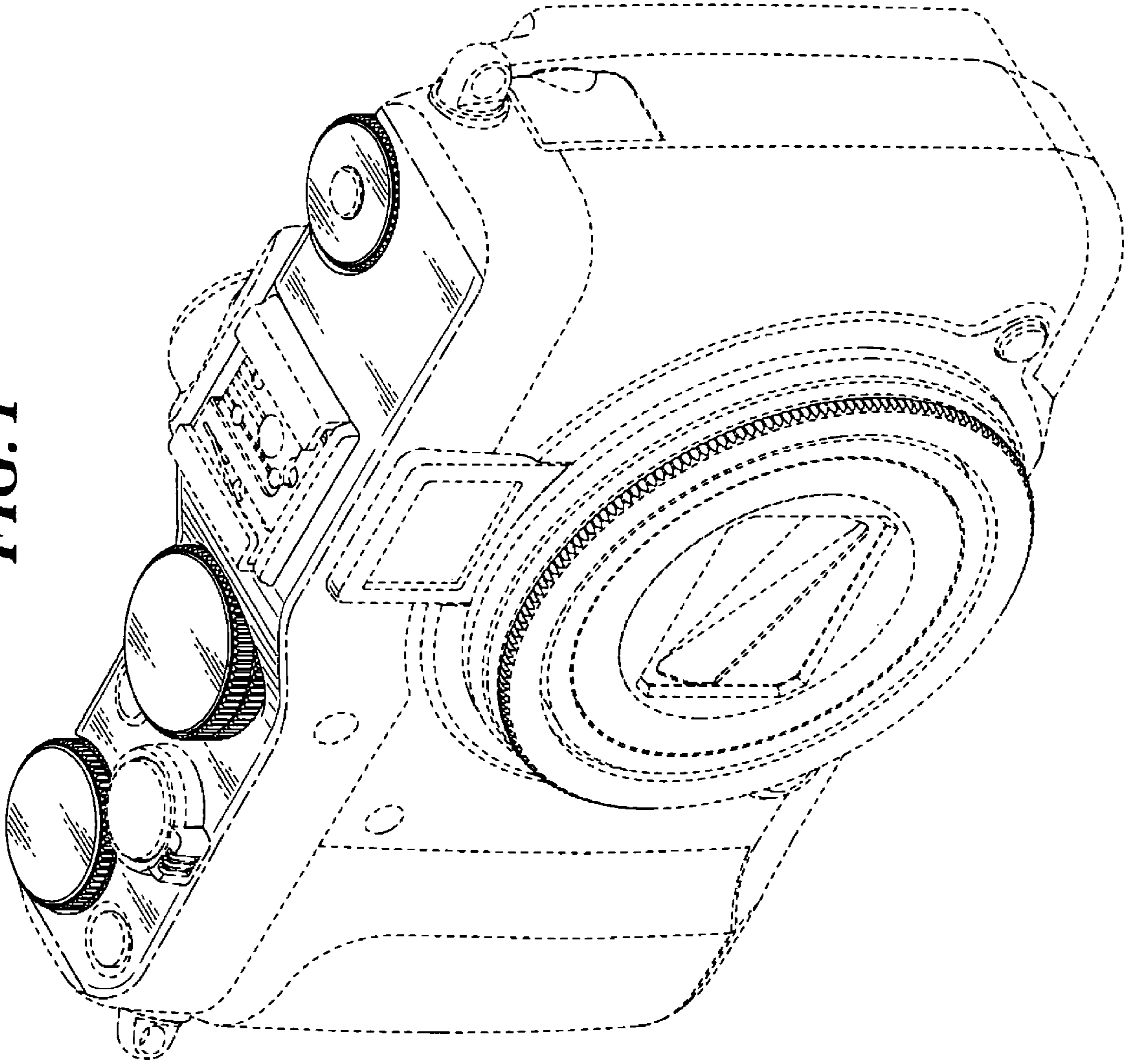


FIG. 2

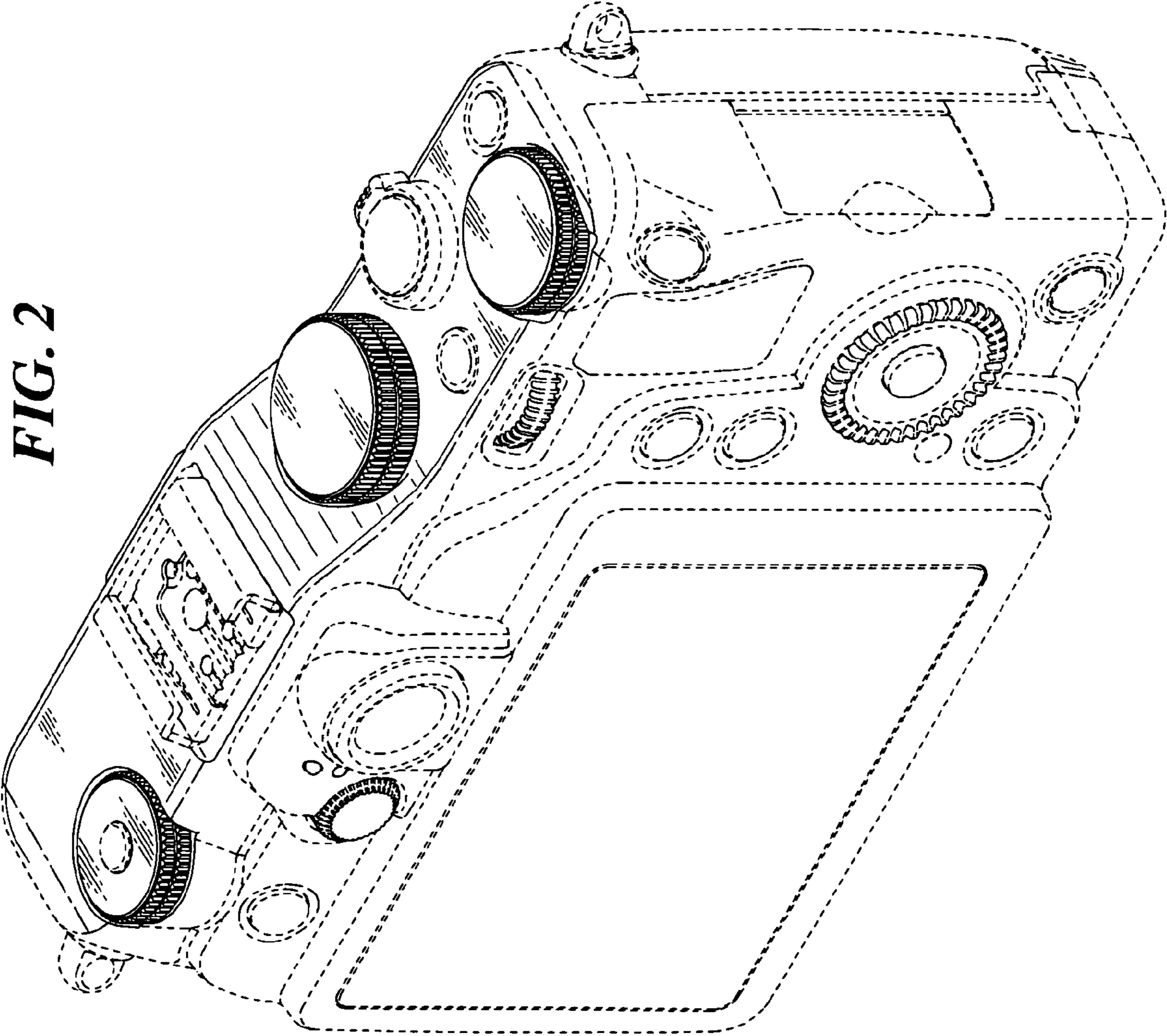


FIG. 3

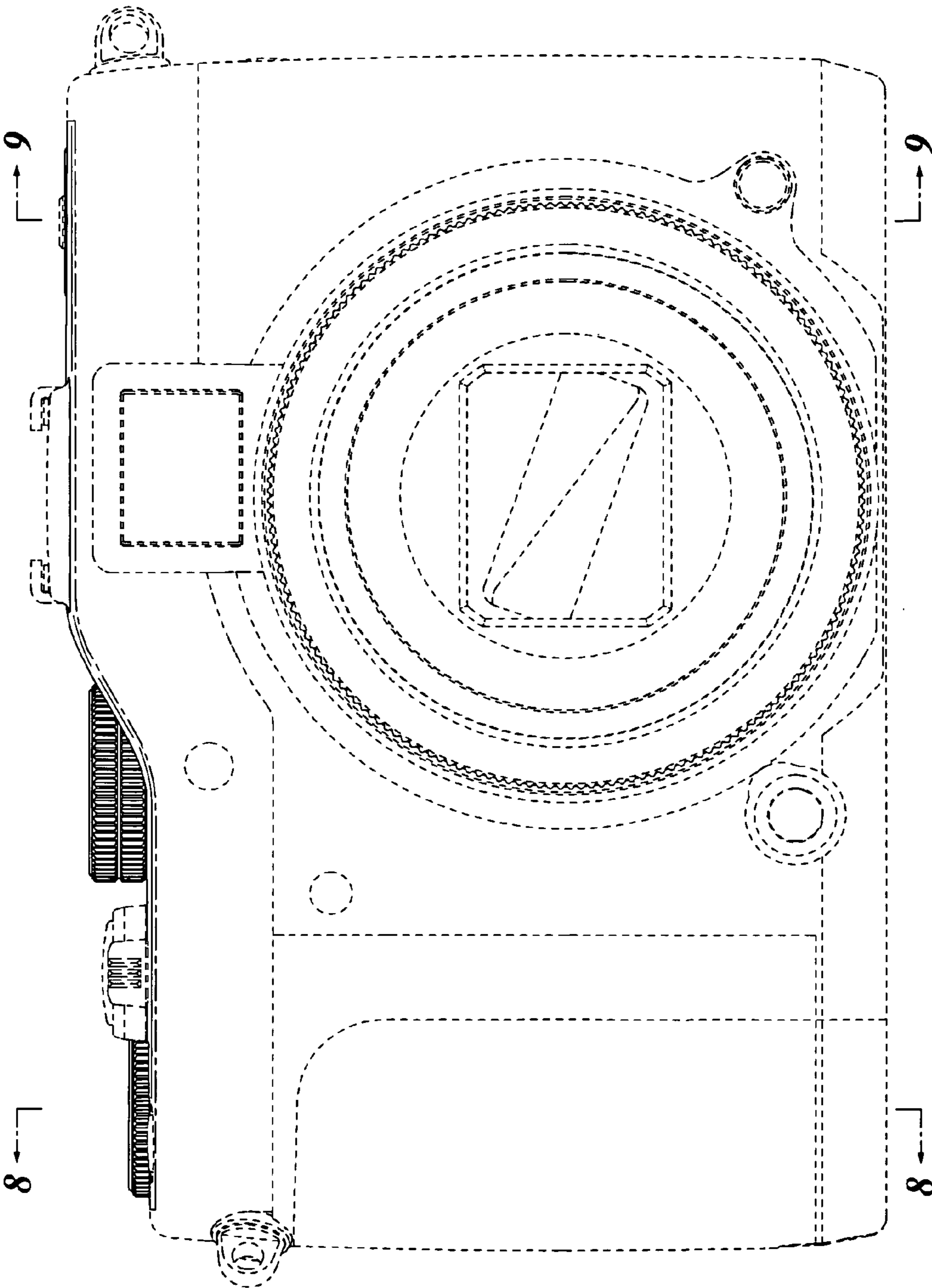


FIG. 4

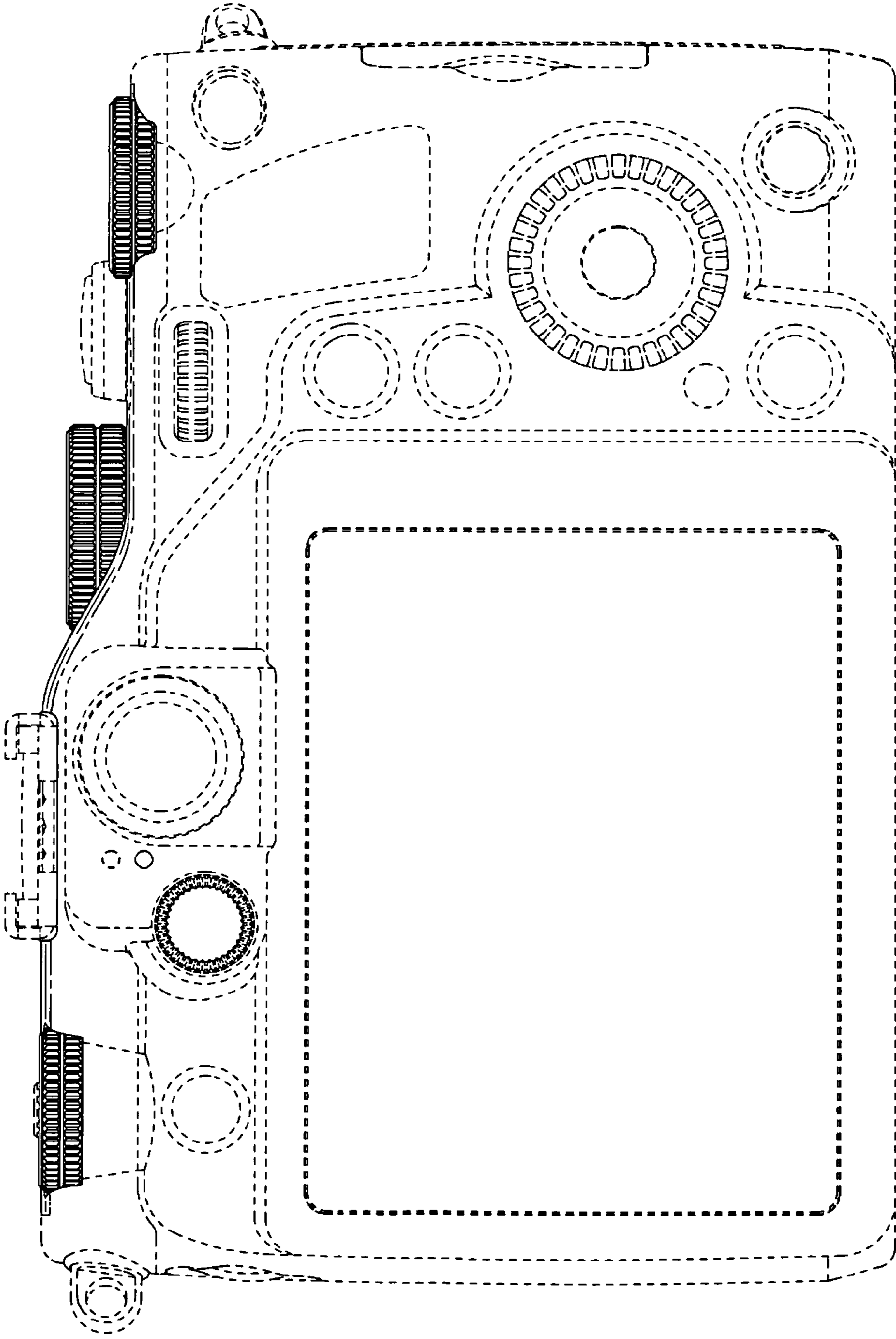


FIG. 5

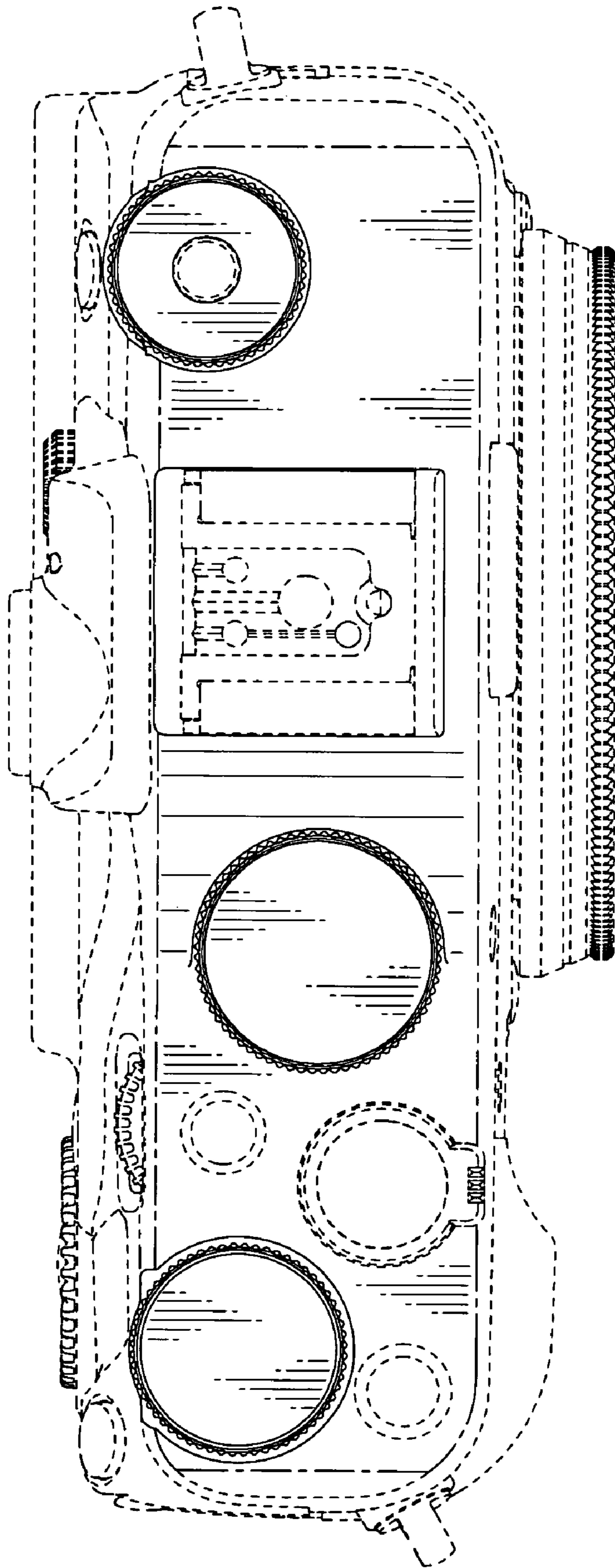


FIG. 7

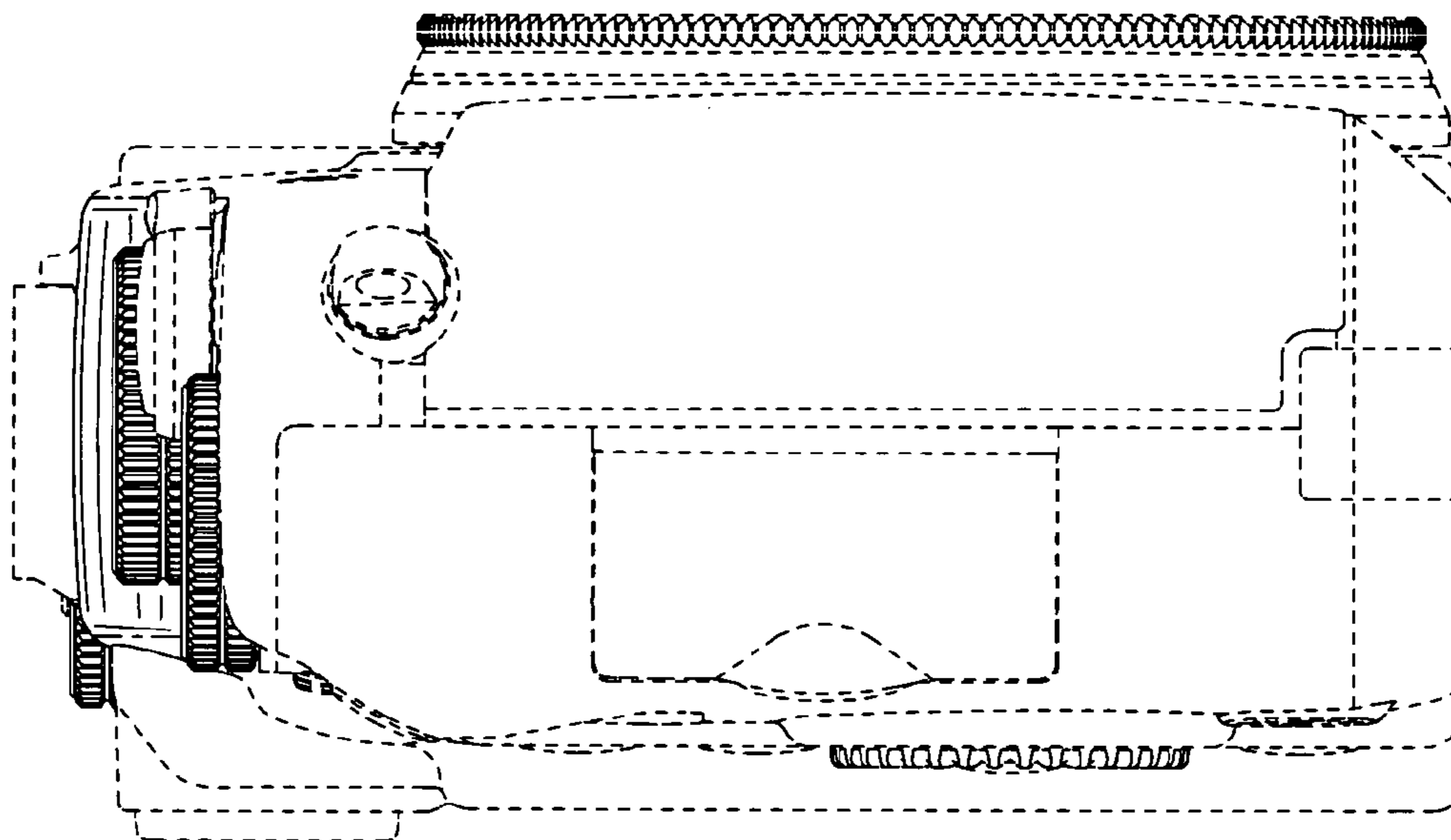


FIG. 6

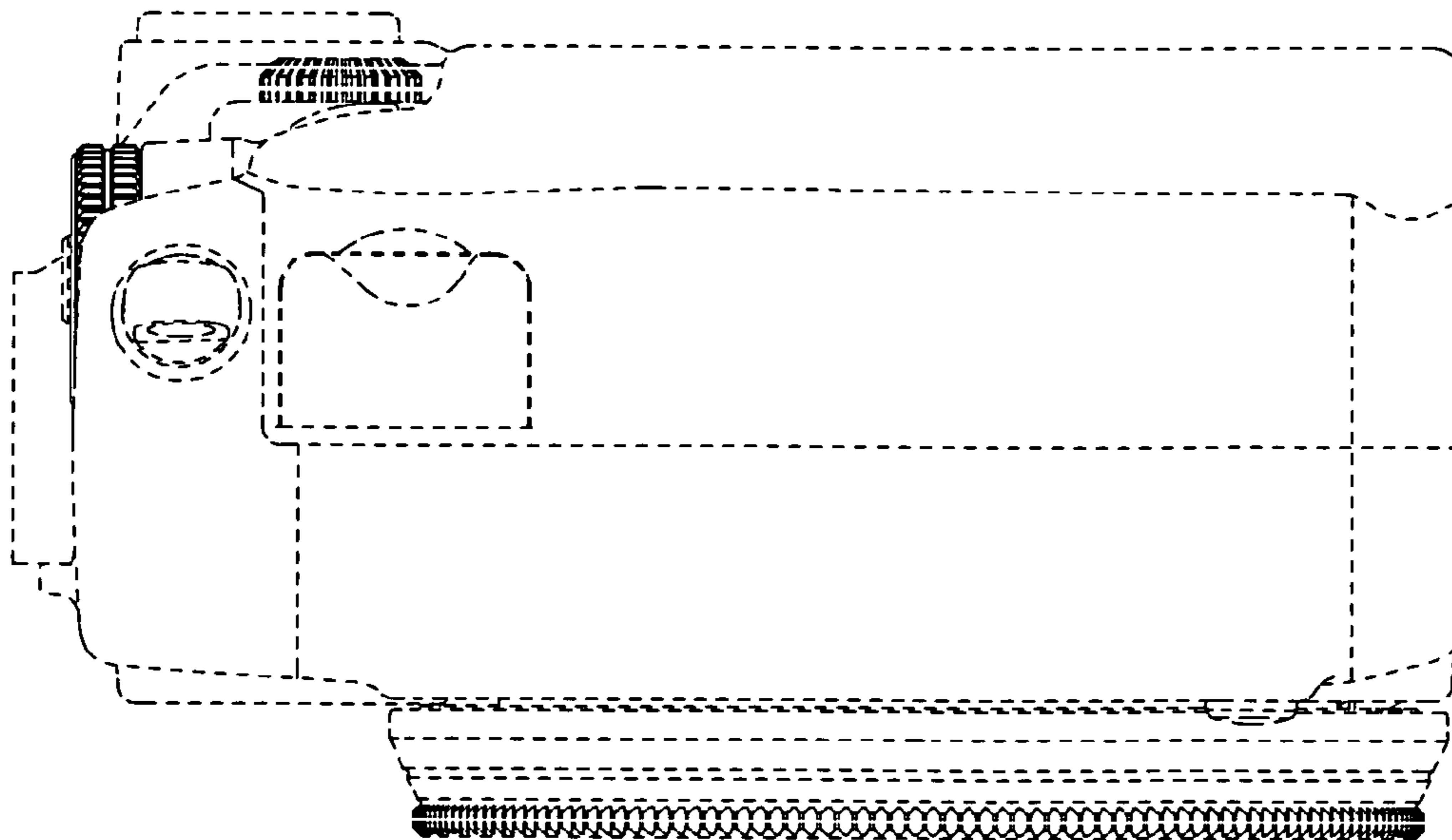


FIG. 9

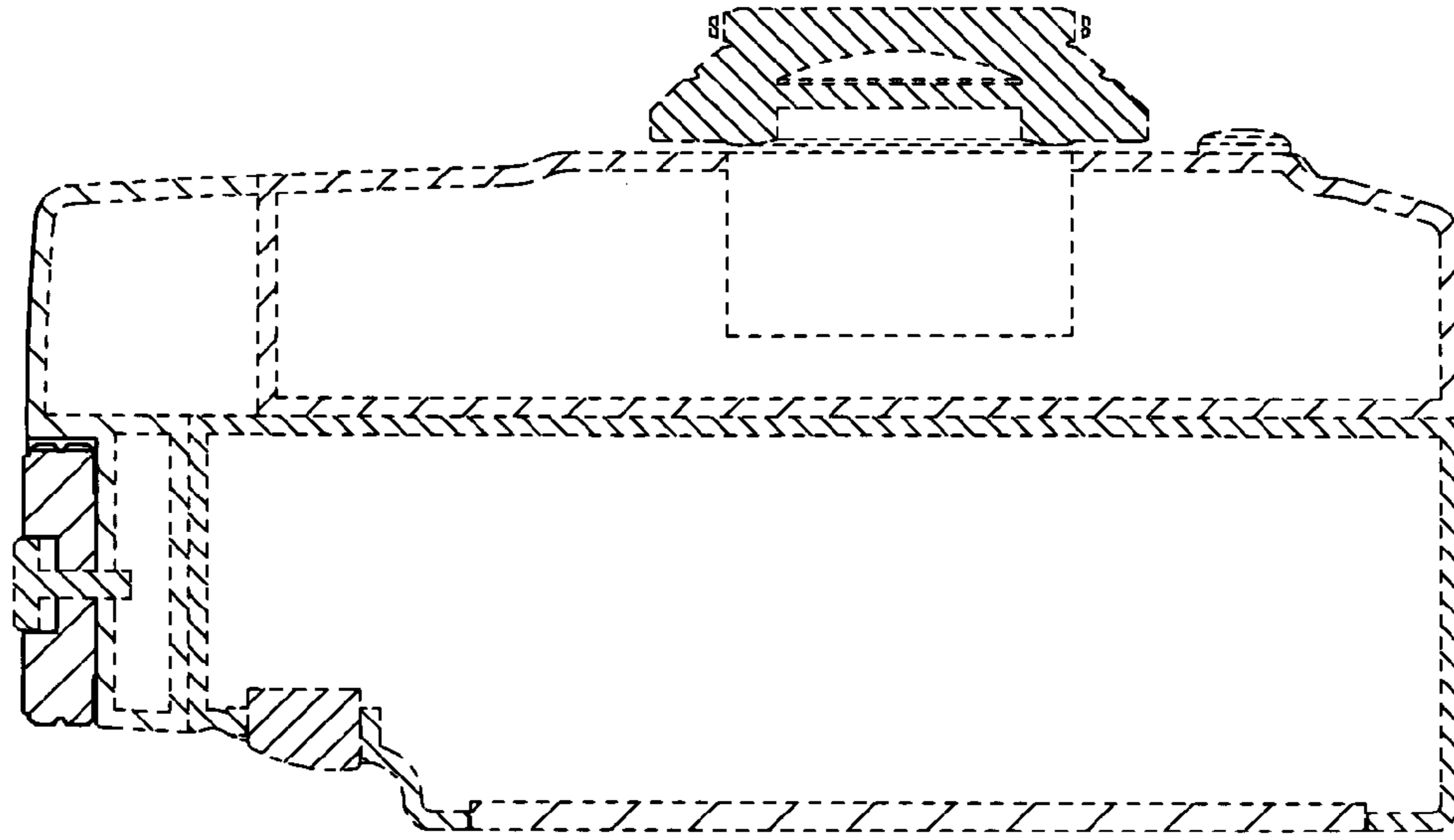


FIG. 8

