



US00D654942S

(12) **United States Design Patent**  
**Khamsepoor et al.**

(10) **Patent No.:** **US D654,942 S**  
(45) **Date of Patent:** **\*\* Feb. 28, 2012**

(54) **WEBCAM WITH COMPUTER MONITOR MOUNT**

**DESCRIPTION**

(75) Inventors: **Ladan Khamsepoor**, Santa Clara, CA (US); **Kenneth Ling**, San Francisco, CA (US); **Allan Freas Velzy**, Burlingame, CA (US); **John Kiechel**, Oakland, CA (US)

(73) Assignee: **Logitech Europe S.A.**, Morges (CH)

(\*\*) Term: **14 Years**

(21) Appl. No.: **29/349,418**

(22) Filed: **Mar. 31, 2010**

(51) **LOC (9) Cl.** ..... **16-01**

(52) **U.S. Cl.** ..... **D16/202; D16/242**

(58) **Field of Classification Search** ..... D16/200–205,  
D16/218, 242; 248/121, 187.1; 348/373–376;  
396/428, 535–541

See application file for complete search history.

(56) **References Cited**

**U.S. PATENT DOCUMENTS**

D449,848 S	*	10/2001	Lewis et al.	.....	D16/242
D579,967 S	*	11/2008	Jones et al.	.....	D16/242
D600,730 S	*	9/2009	Su	.....	D16/202
D606,106 S	*	12/2009	Kim et al.	.....	D16/218
D616,007 S	*	5/2010	Teppan et al.	.....	D16/242
D629,031 S	*	12/2010	Su et al.	.....	D16/202

\* cited by examiner

*Primary Examiner* — Adir Aronovich

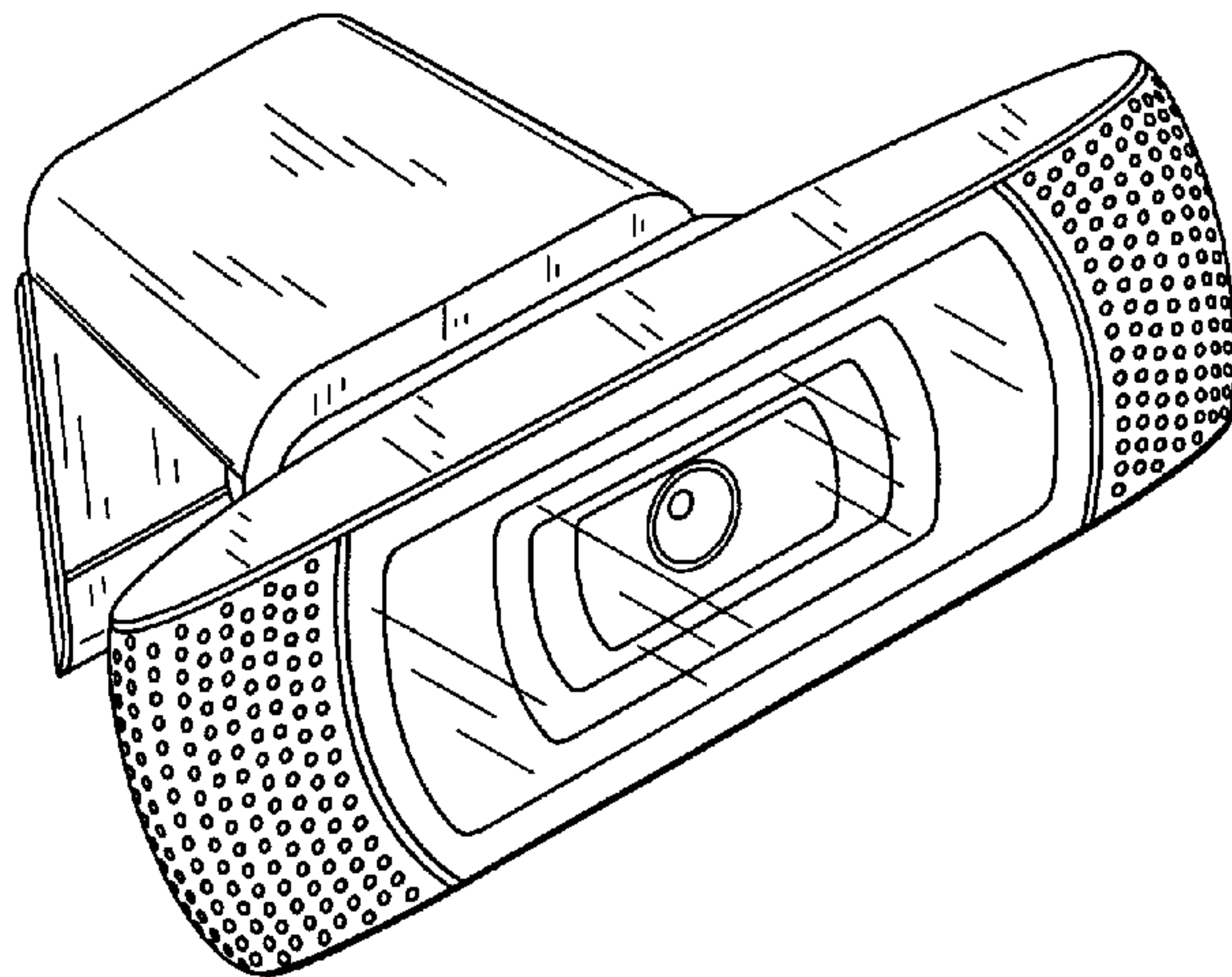
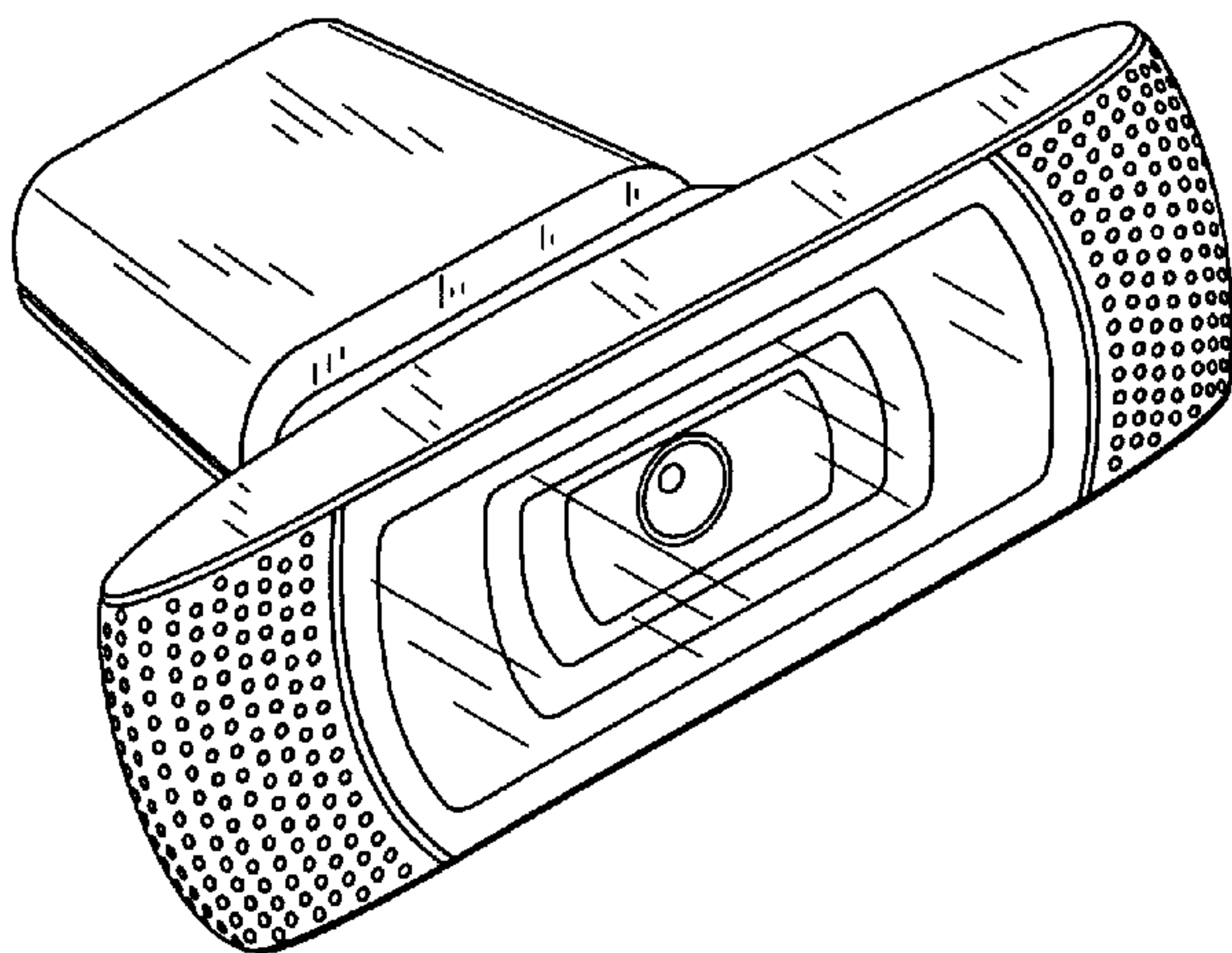
(74) *Attorney, Agent, or Firm* — Kilpatrick Townsend & Stockton LLP

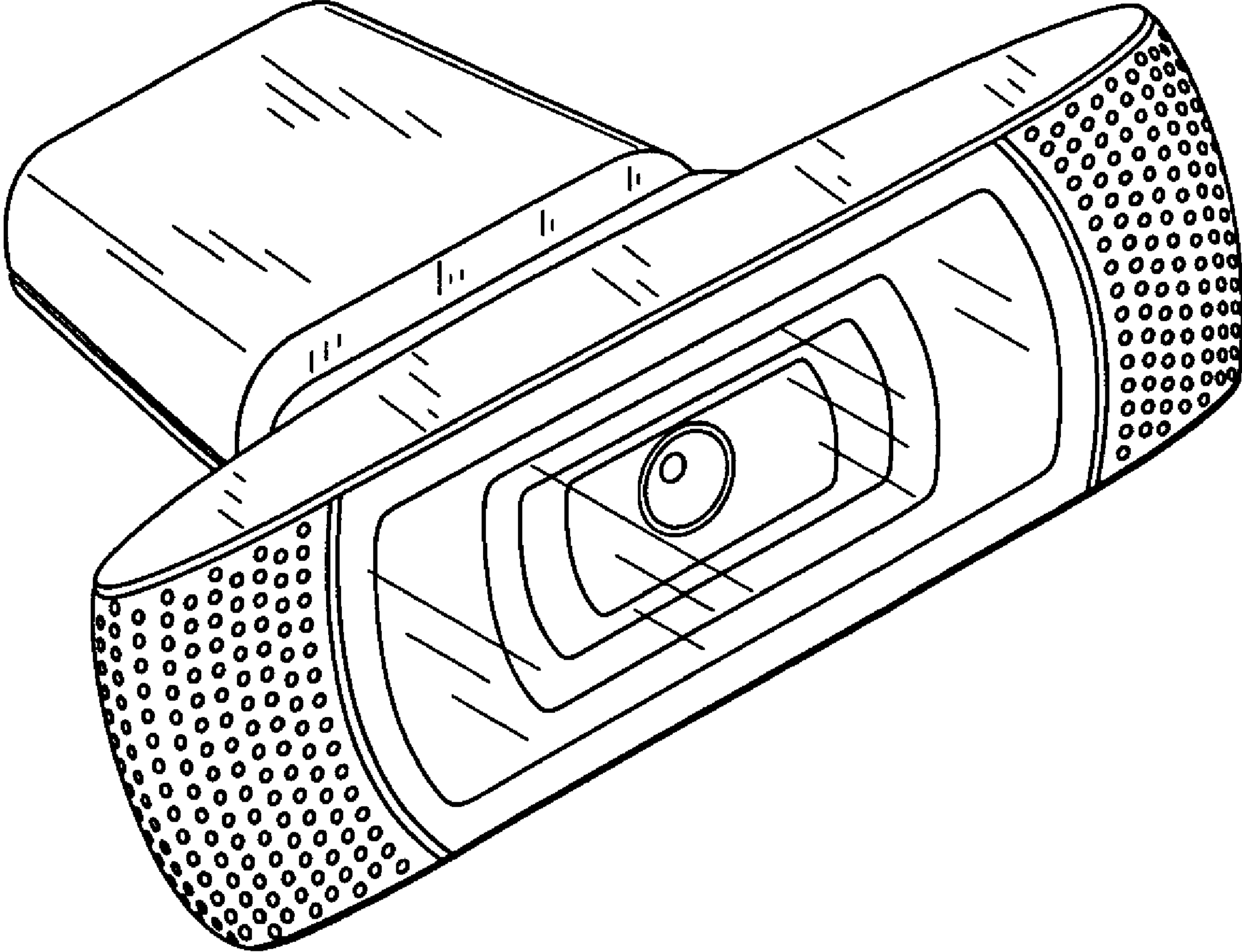
(57) **CLAIM**

The ornamental design for a webcam with a computer monitor mount, as shown and described.

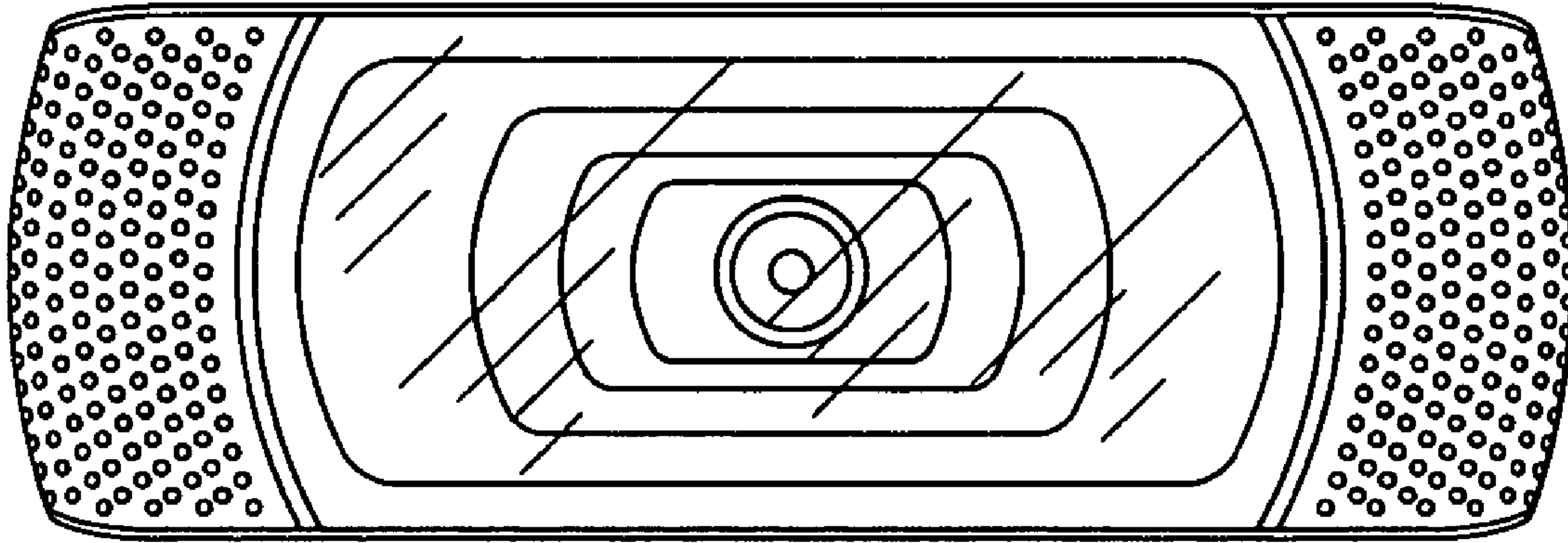
FIG. 1 is front perspective view of a webcam with a computer monitor mount showing our new design;  
 FIG. 2 is a front elevational view thereof;  
 FIG. 3 is a rear elevational view thereof;  
 FIG. 4 is a bottom plan view thereof;  
 FIG. 5 is a top plan view thereof;  
 FIG. 6 is a right side elevational view thereof;  
 FIG. 7 is a left side elevational view thereof;  
 FIG. 8 is a front perspective view of the webcam of FIG. 1, with the mount being in an unfolded position;  
 FIG. 9 is a front elevational view thereof;  
 FIG. 10 is a rear elevational view thereof;  
 FIG. 11 is a bottom plan view thereof;  
 FIG. 12 is a top plan view thereof;  
 FIG. 13 is a right side elevational view thereof;  
 FIG. 14 is a left side elevational view thereof;  
 FIG. 15 is a front perspective view of the webcam of FIG. 1, with the lens housing tilted upwardly and the mount being in an unfolded position;  
 FIG. 16 is a front elevational view thereof;  
 FIG. 17 is a rear elevational view thereof;  
 FIG. 18 is a bottom plan view thereof;  
 FIG. 19 is a top plan view thereof;  
 FIG. 20 is a right side elevational view thereof;  
 FIG. 21 is a left side elevational view thereof;  
 FIG. 22 is a front perspective view of the webcam of FIG. 1, with the mount being in an alternative unfolded position;  
 FIG. 23 is a front elevational view thereof;  
 FIG. 24 is a rear elevational view thereof;  
 FIG. 25 is a bottom plan view thereof;  
 FIG. 26 is a top plan view thereof;  
 FIG. 27 is a right side elevational view thereof; and,  
 FIG. 28 is a left side elevational view thereof.

**1 Claim, 16 Drawing Sheets**

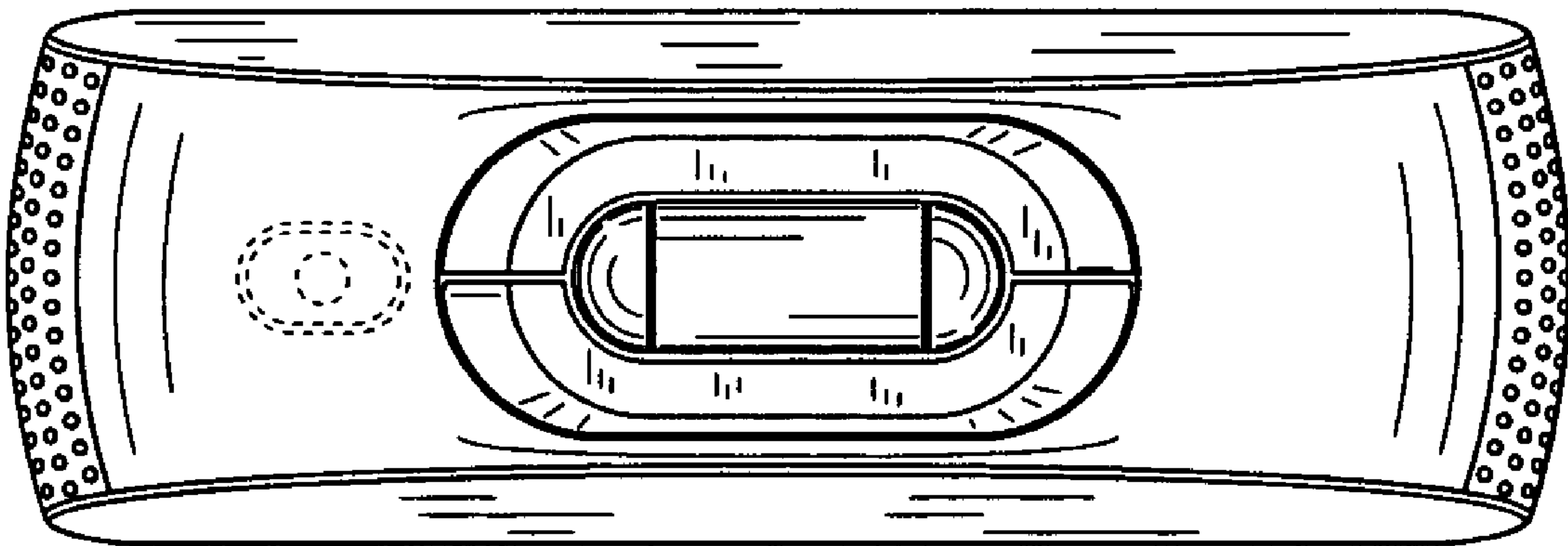




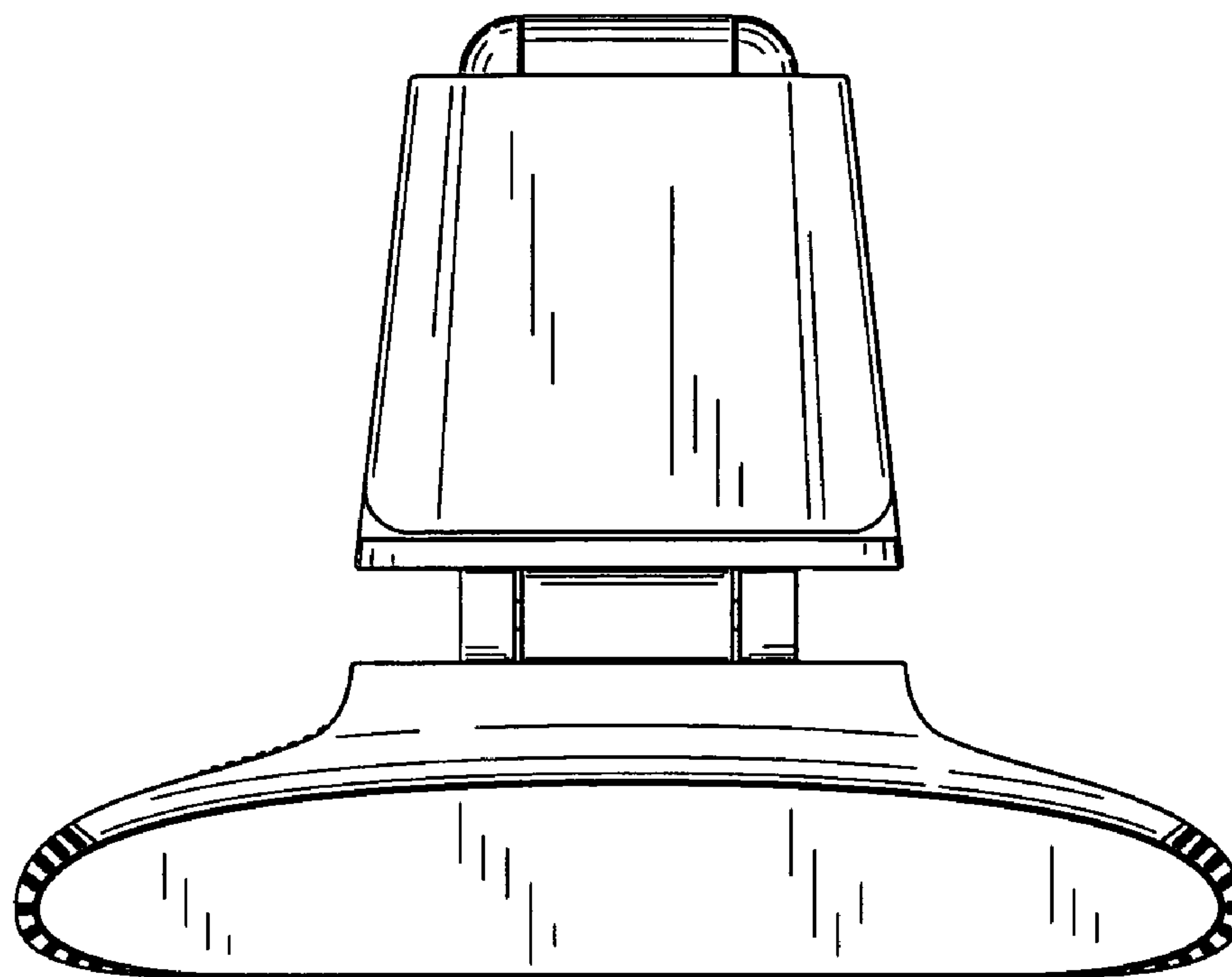
**FIG. 1**



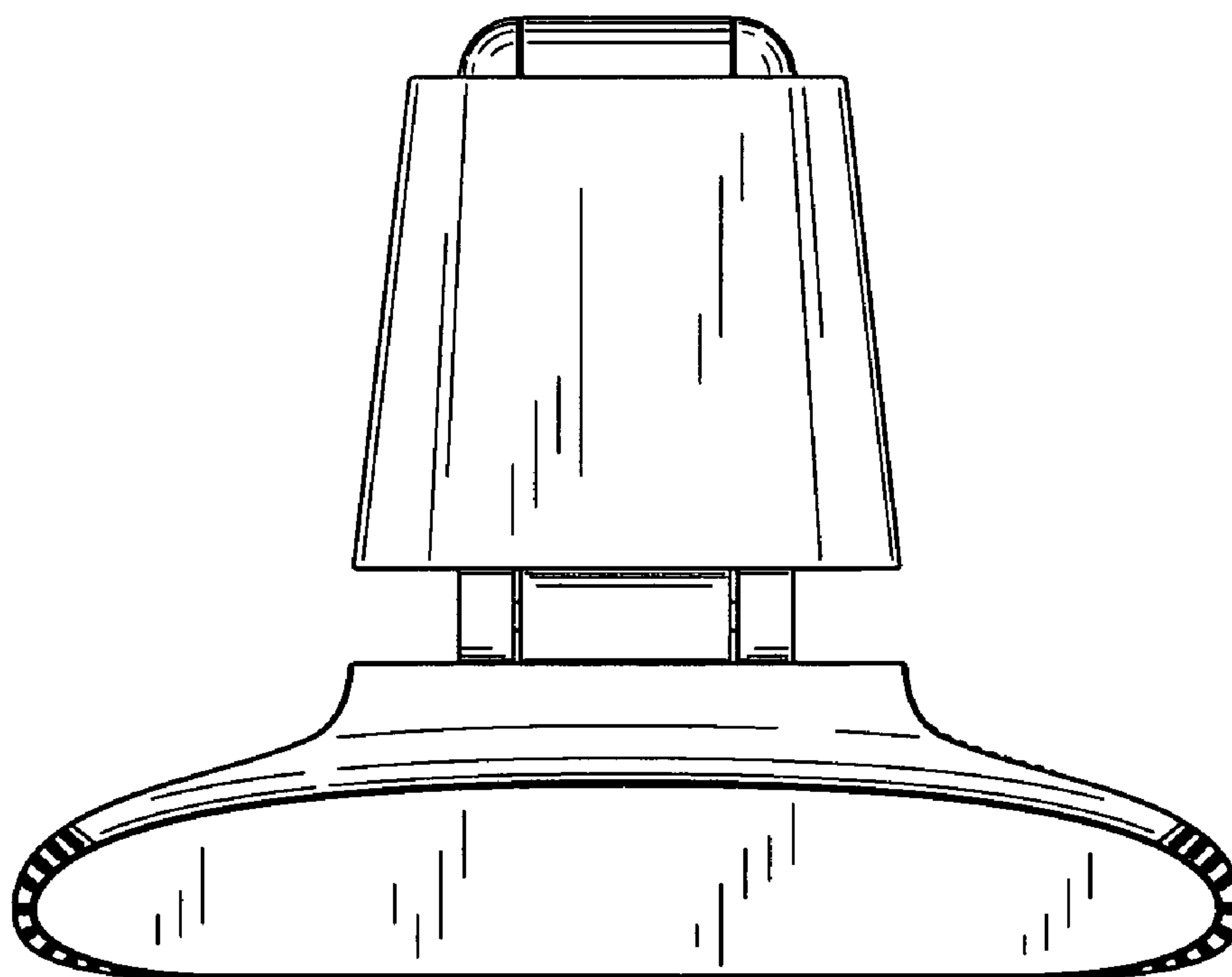
**FIG. 2**



**FIG. 3**

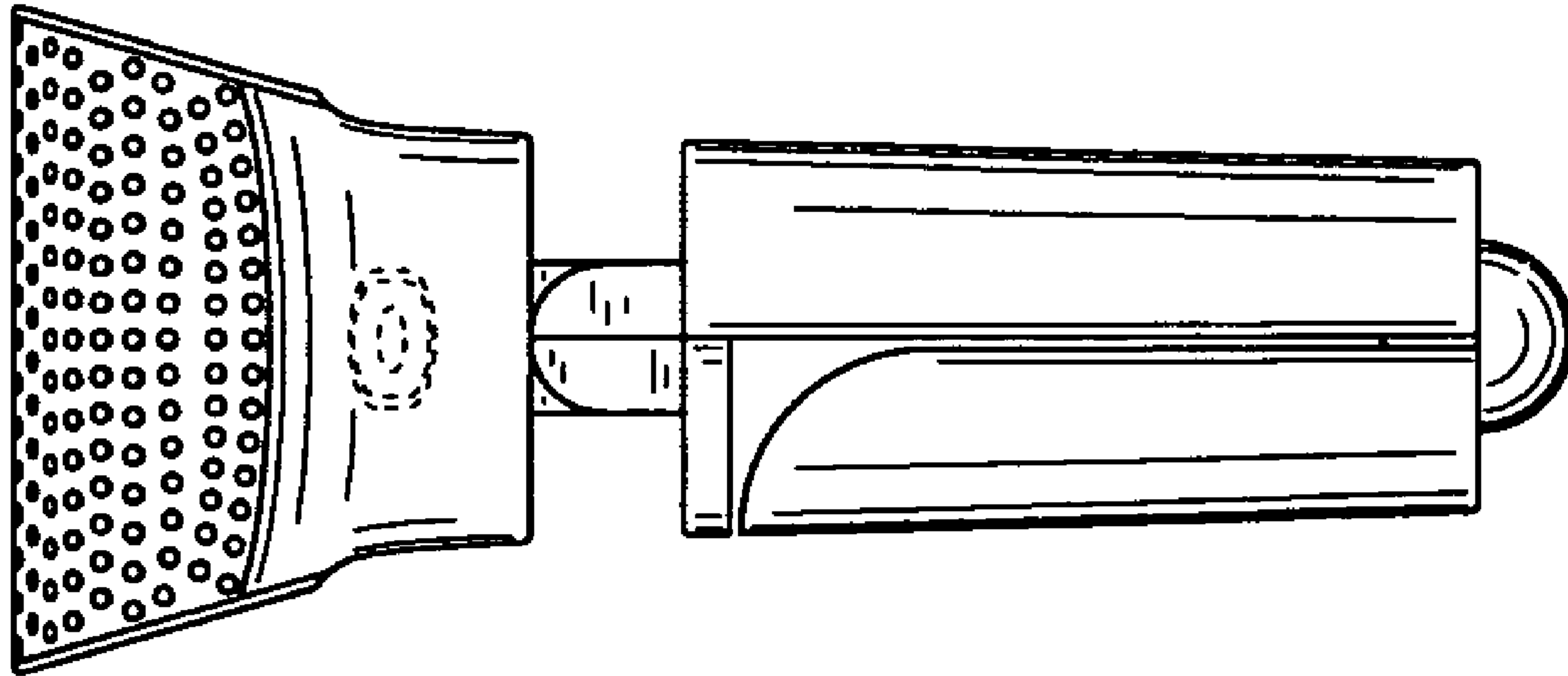


**FIG. 4**

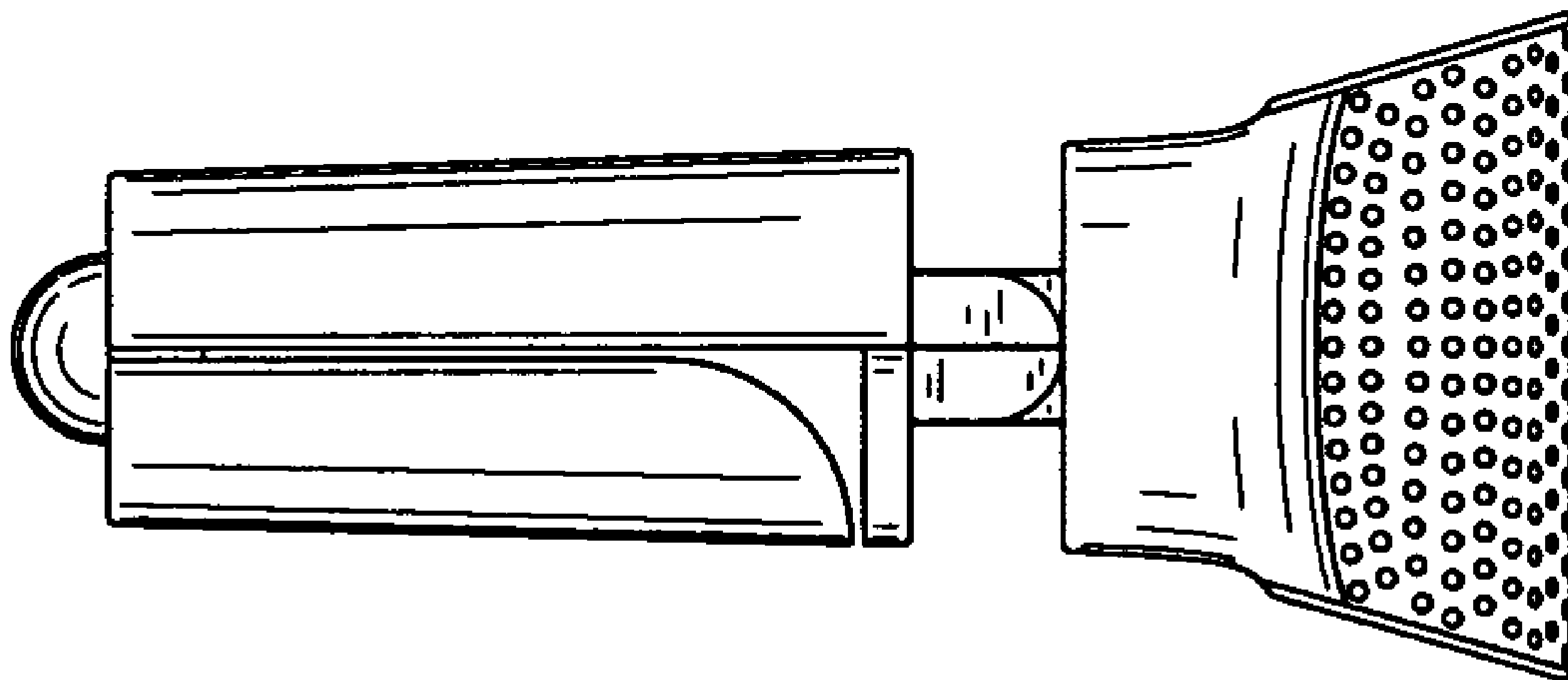


**FIG. 5**

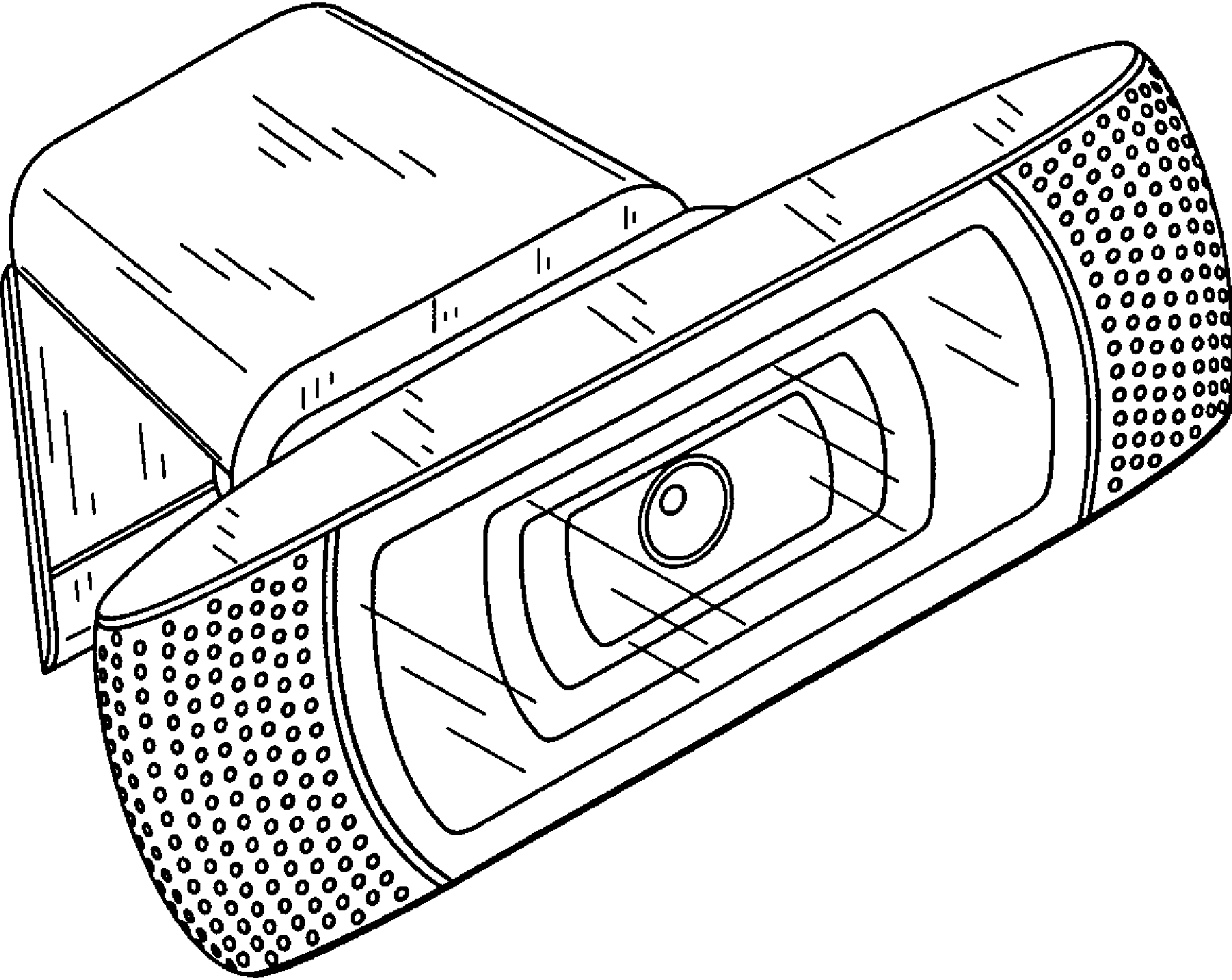




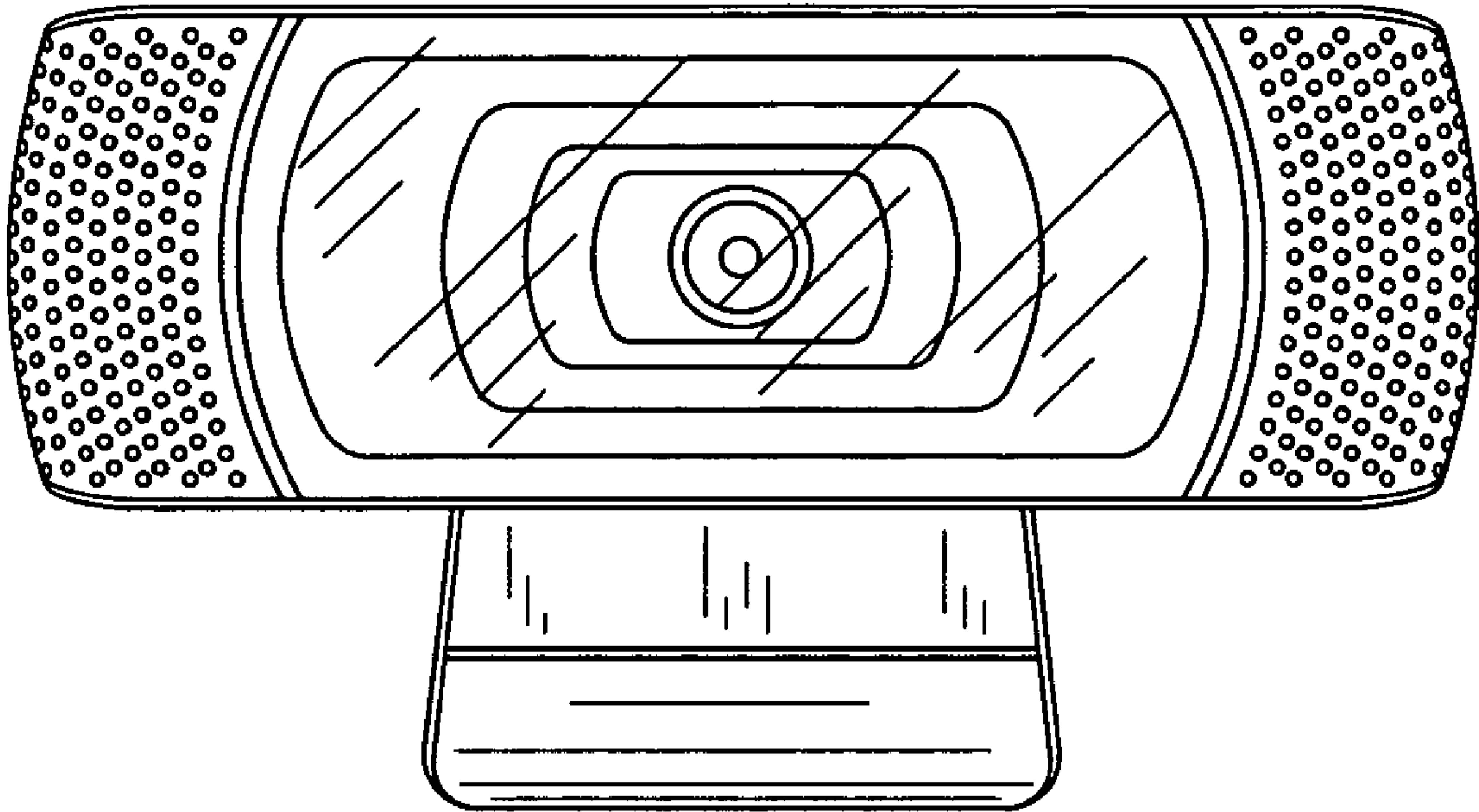
**FIG. 6**



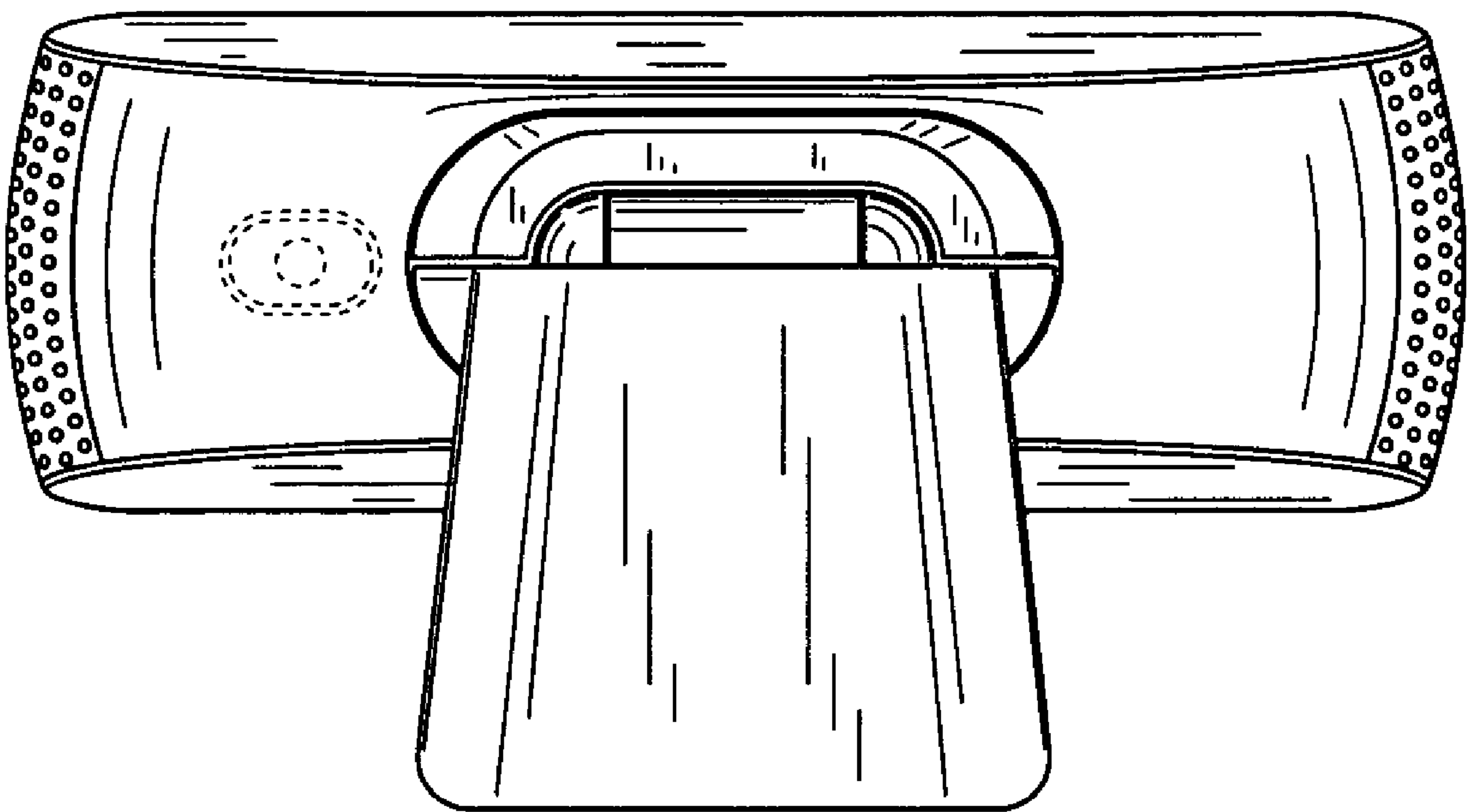
**FIG. 7**



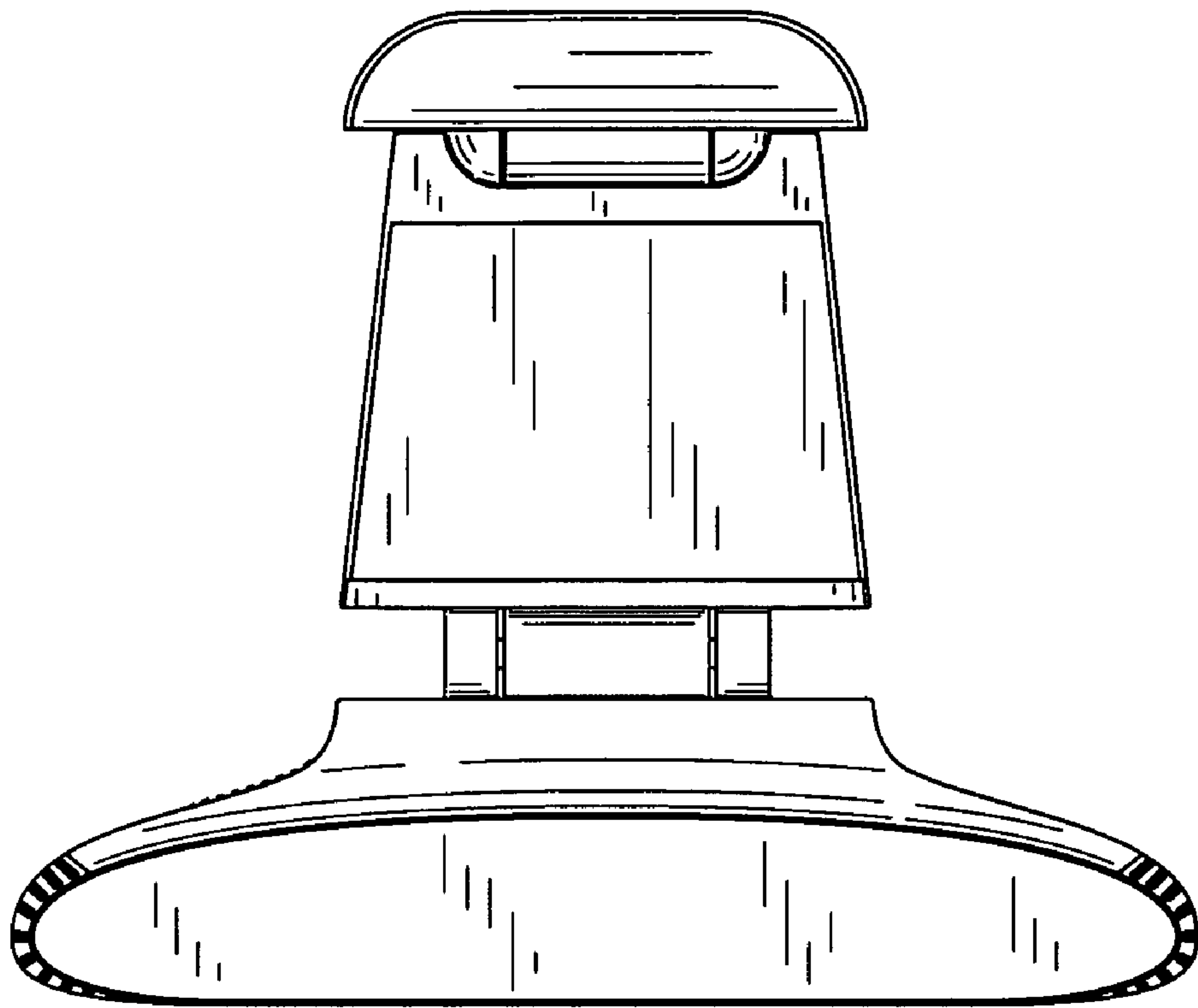
**FIG. 8**



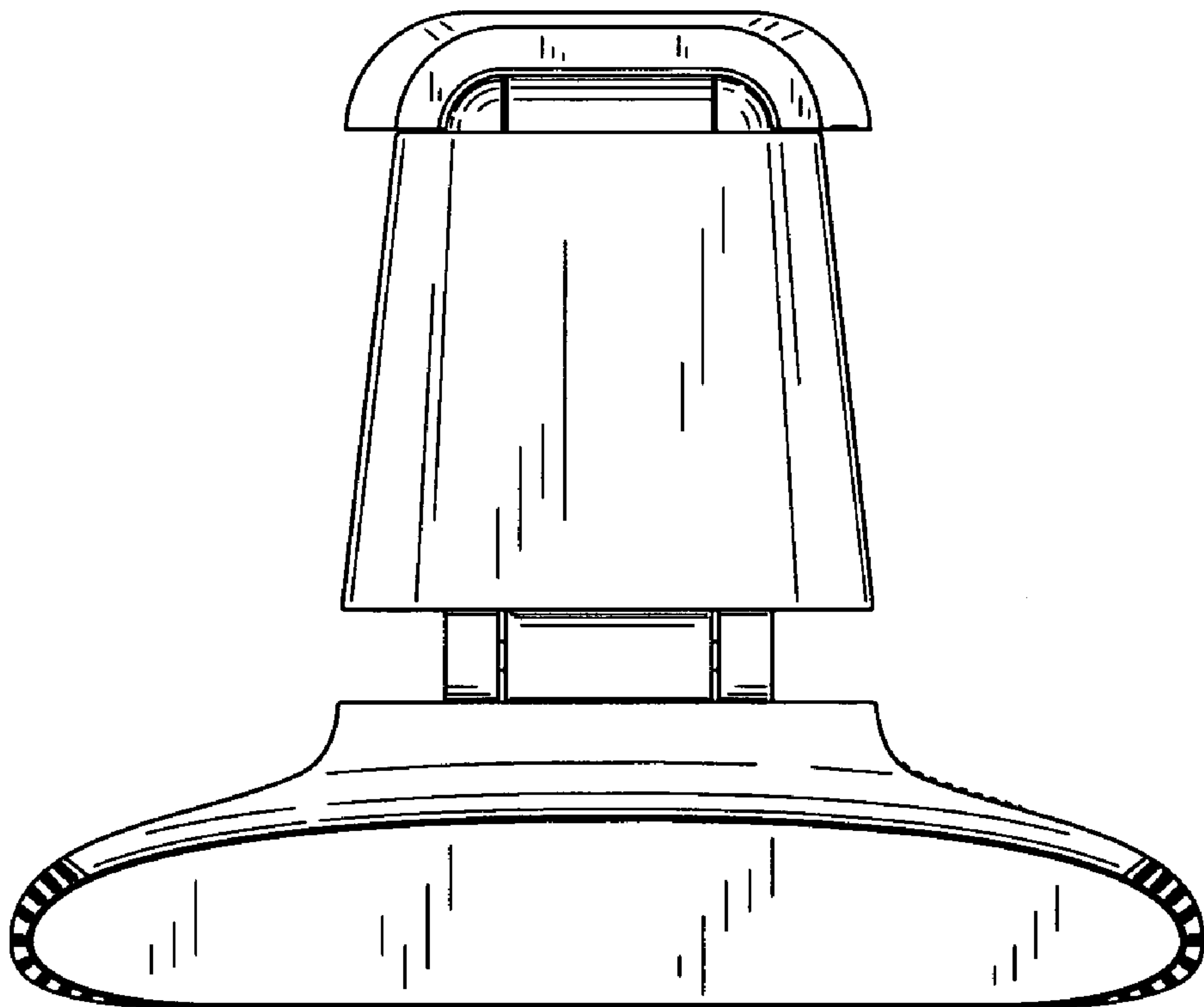
**FIG. 9**



**FIG. 10**

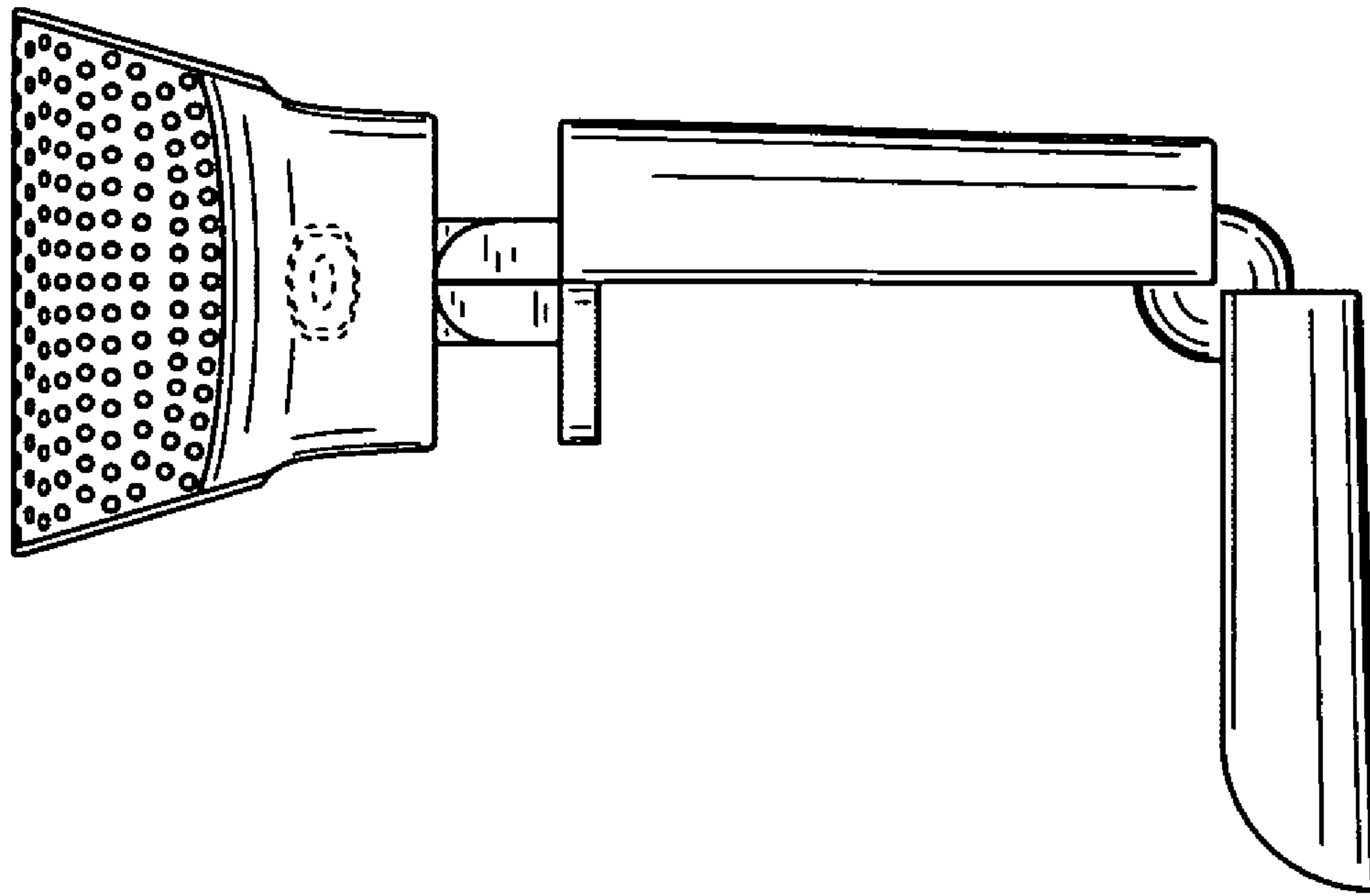


**FIG. 11**

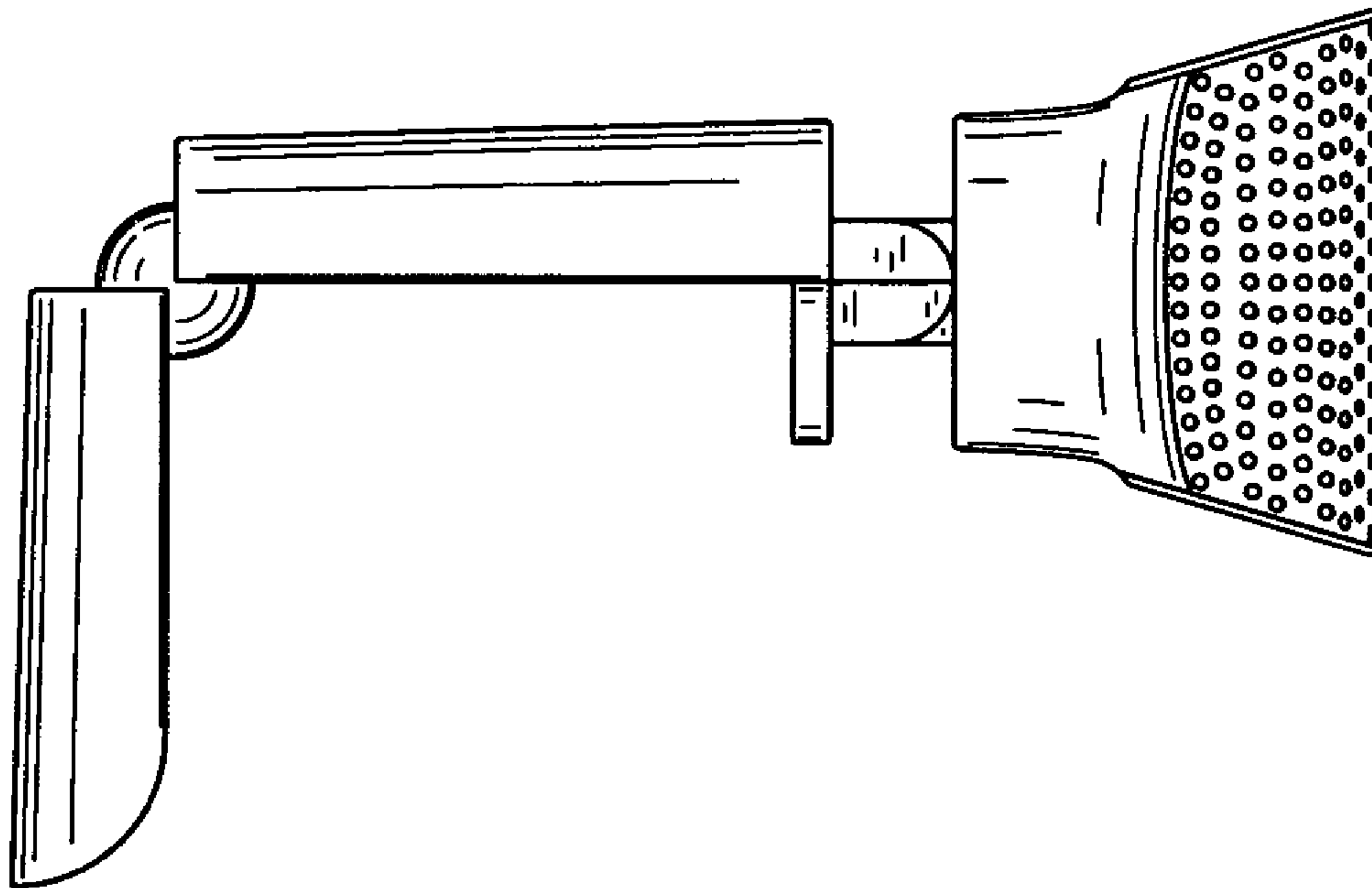


**FIG. 12**

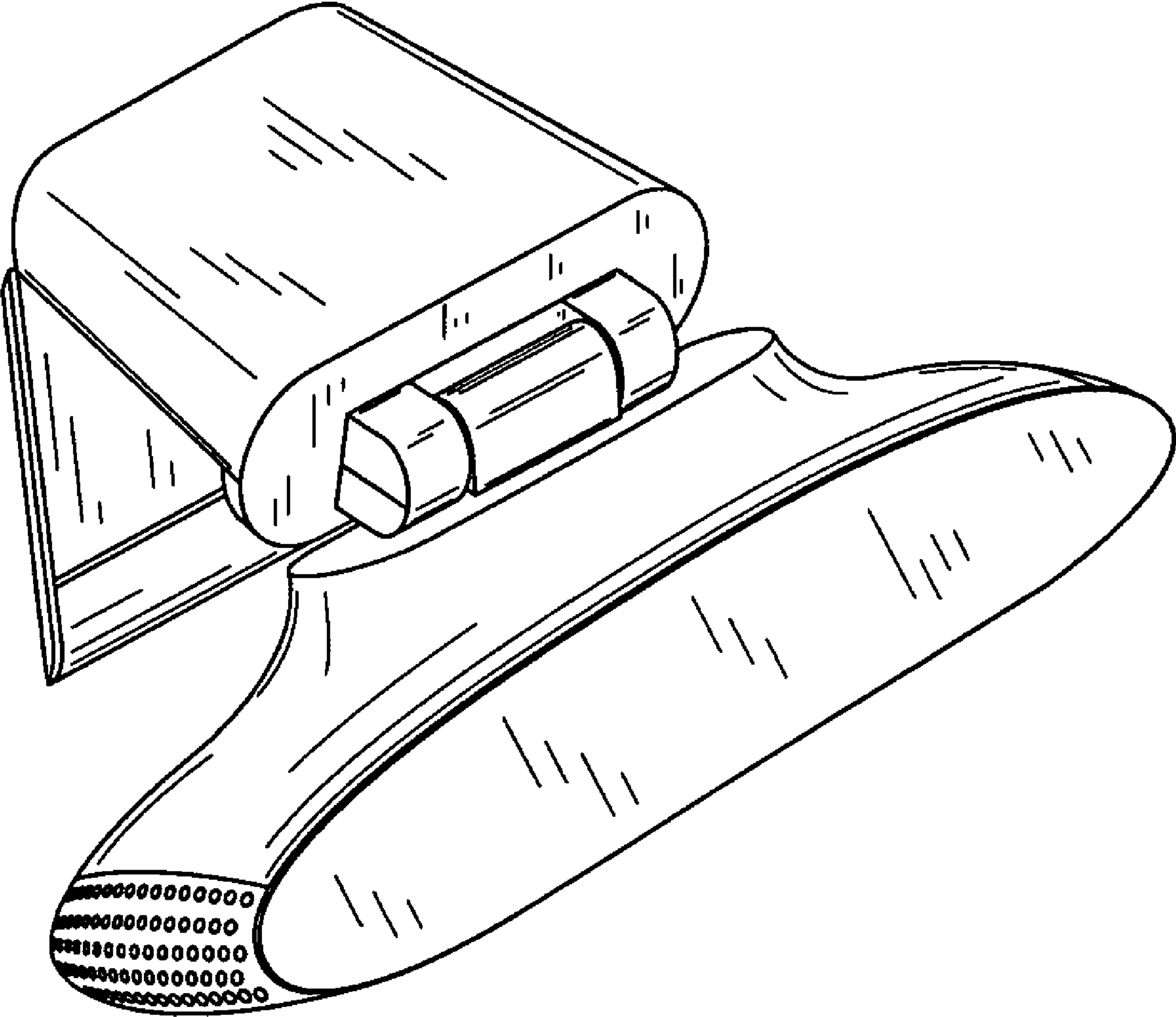




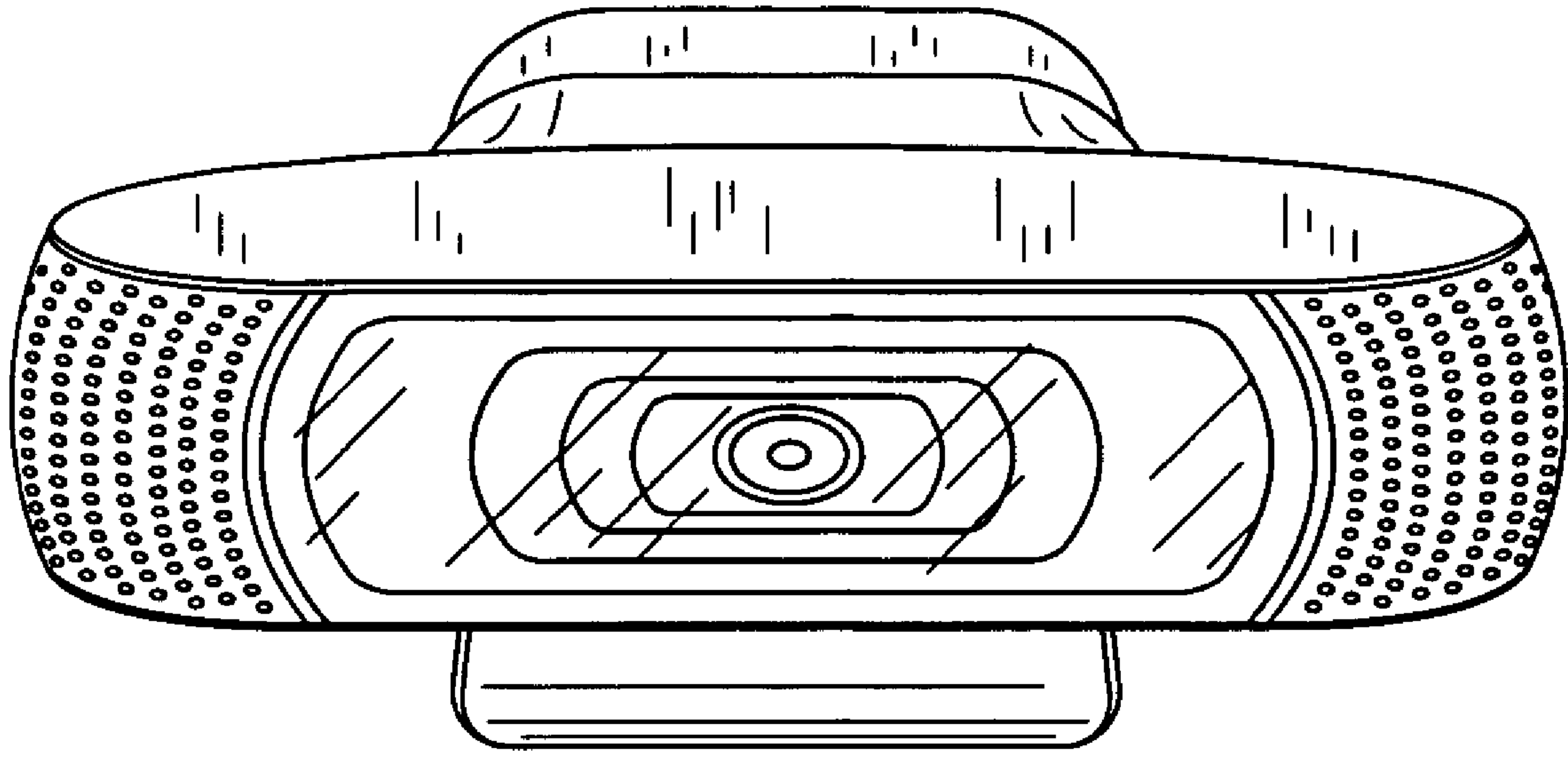
**FIG. 13**



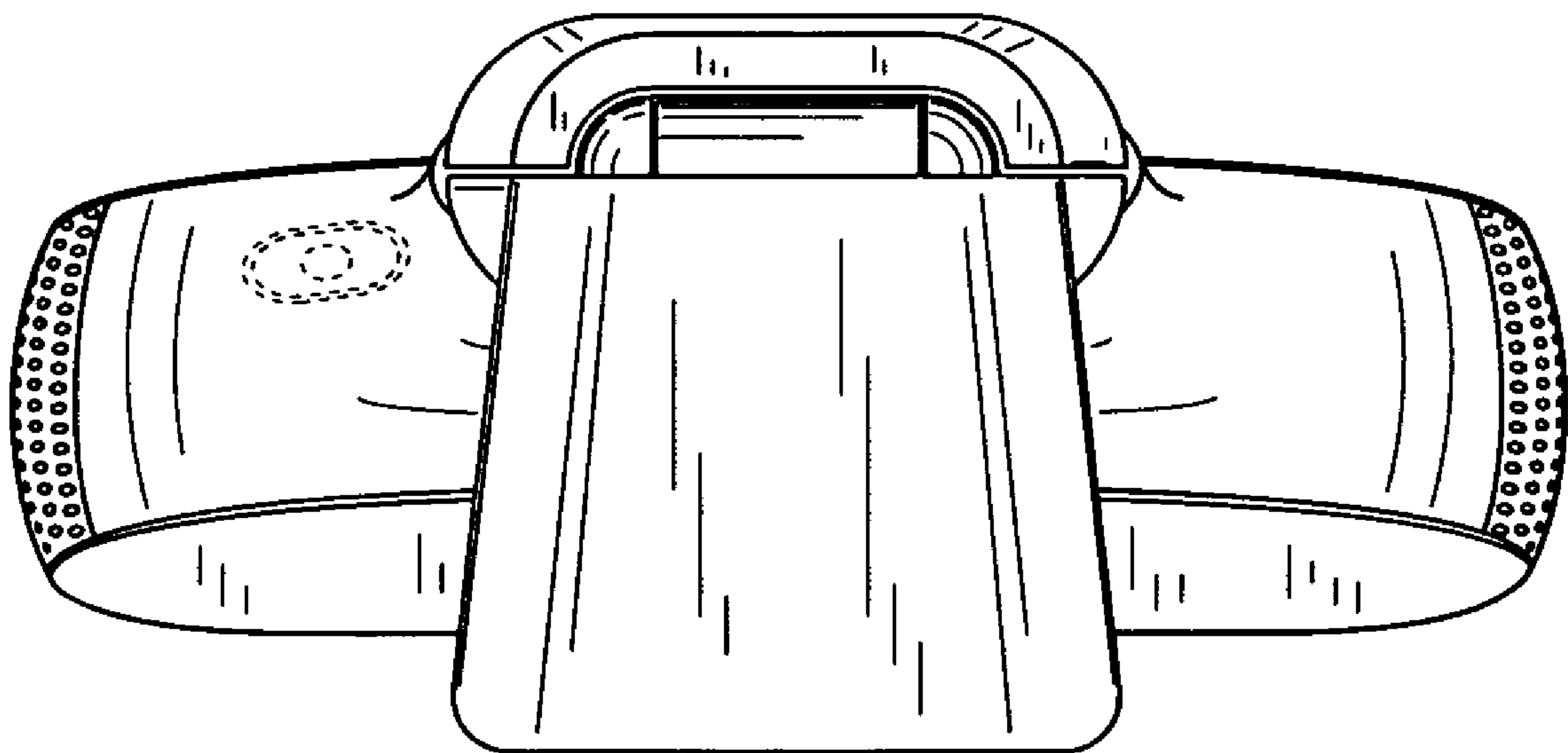
**FIG. 14**



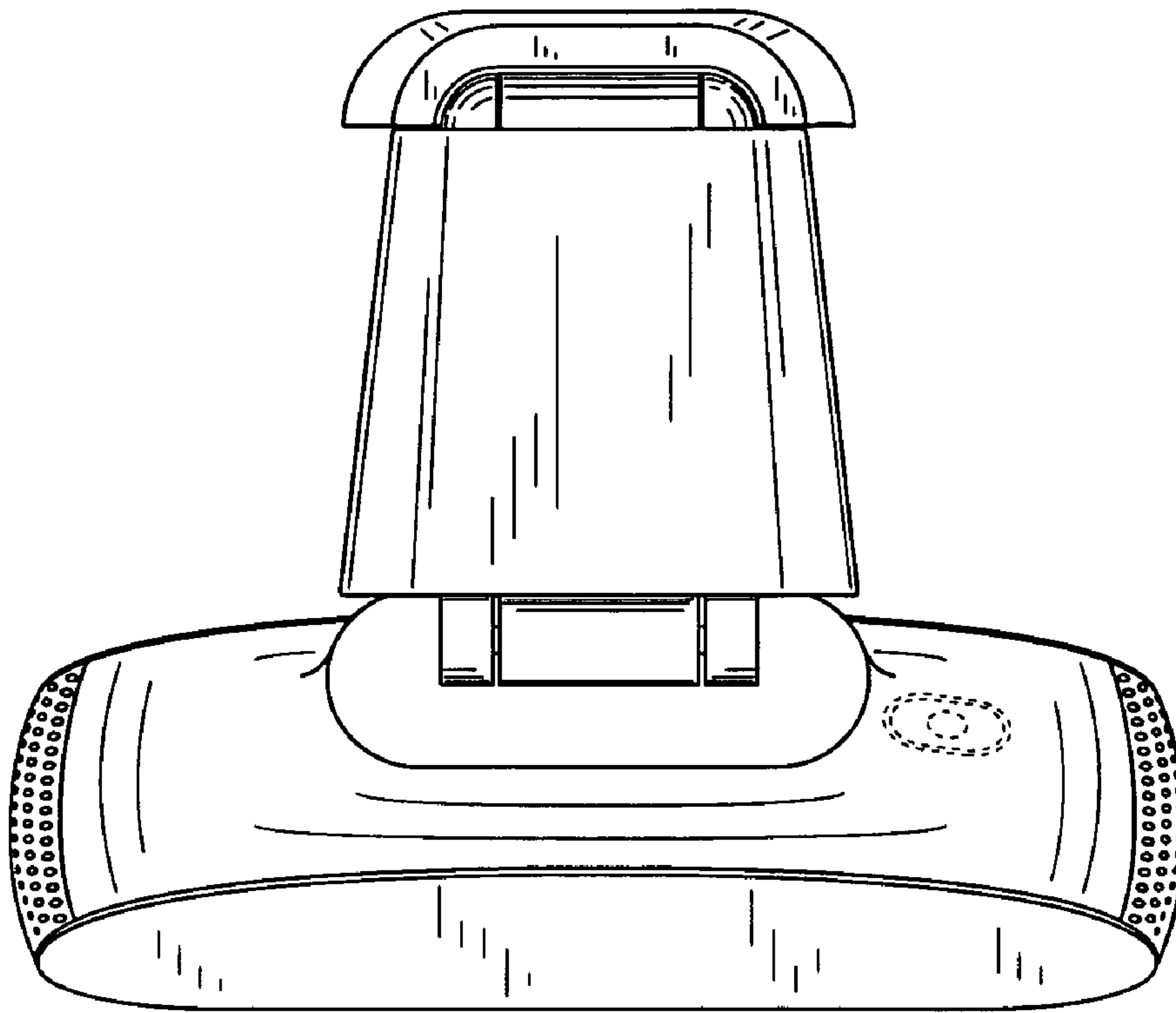
**FIG. 15**



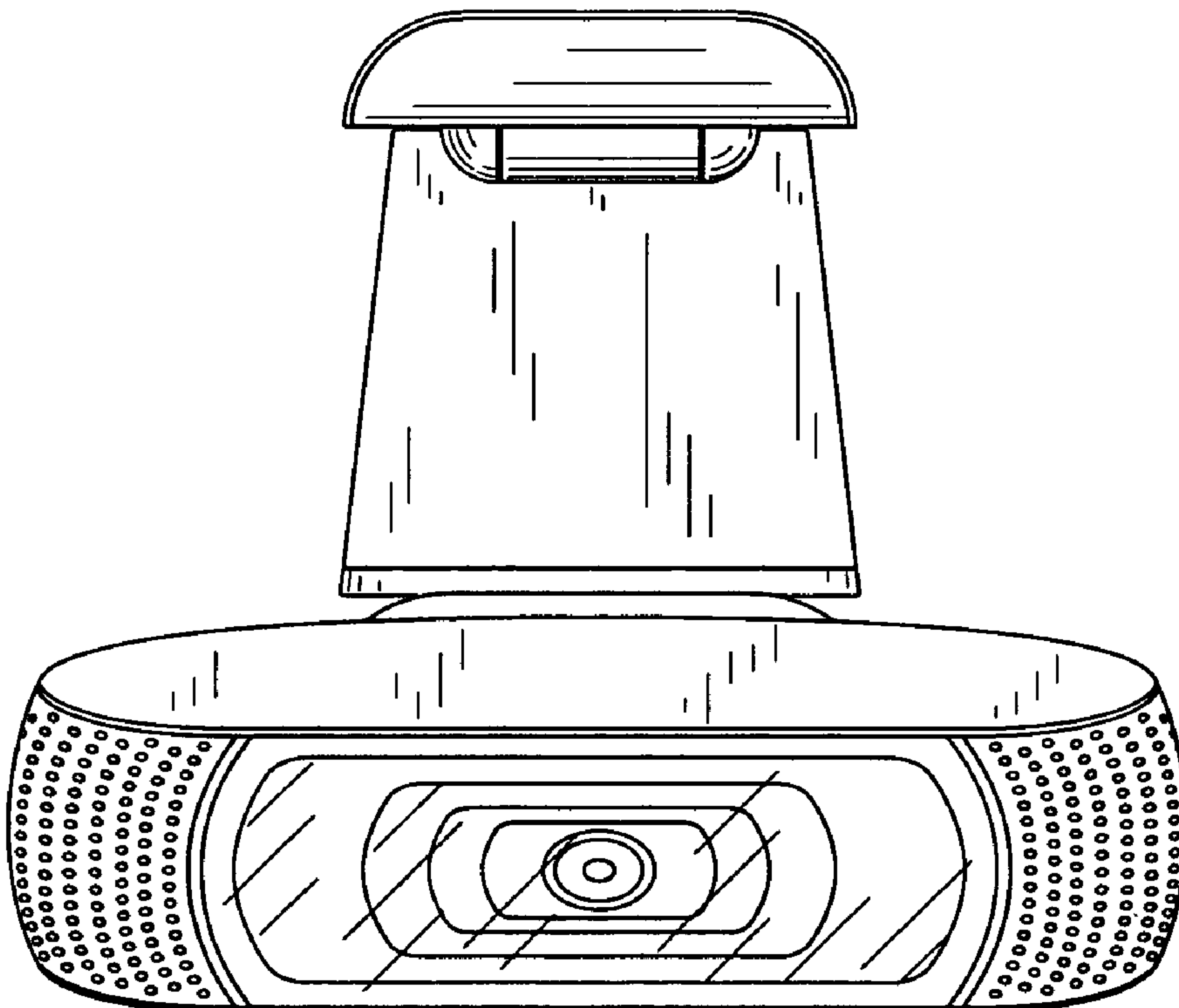
**FIG. 16**



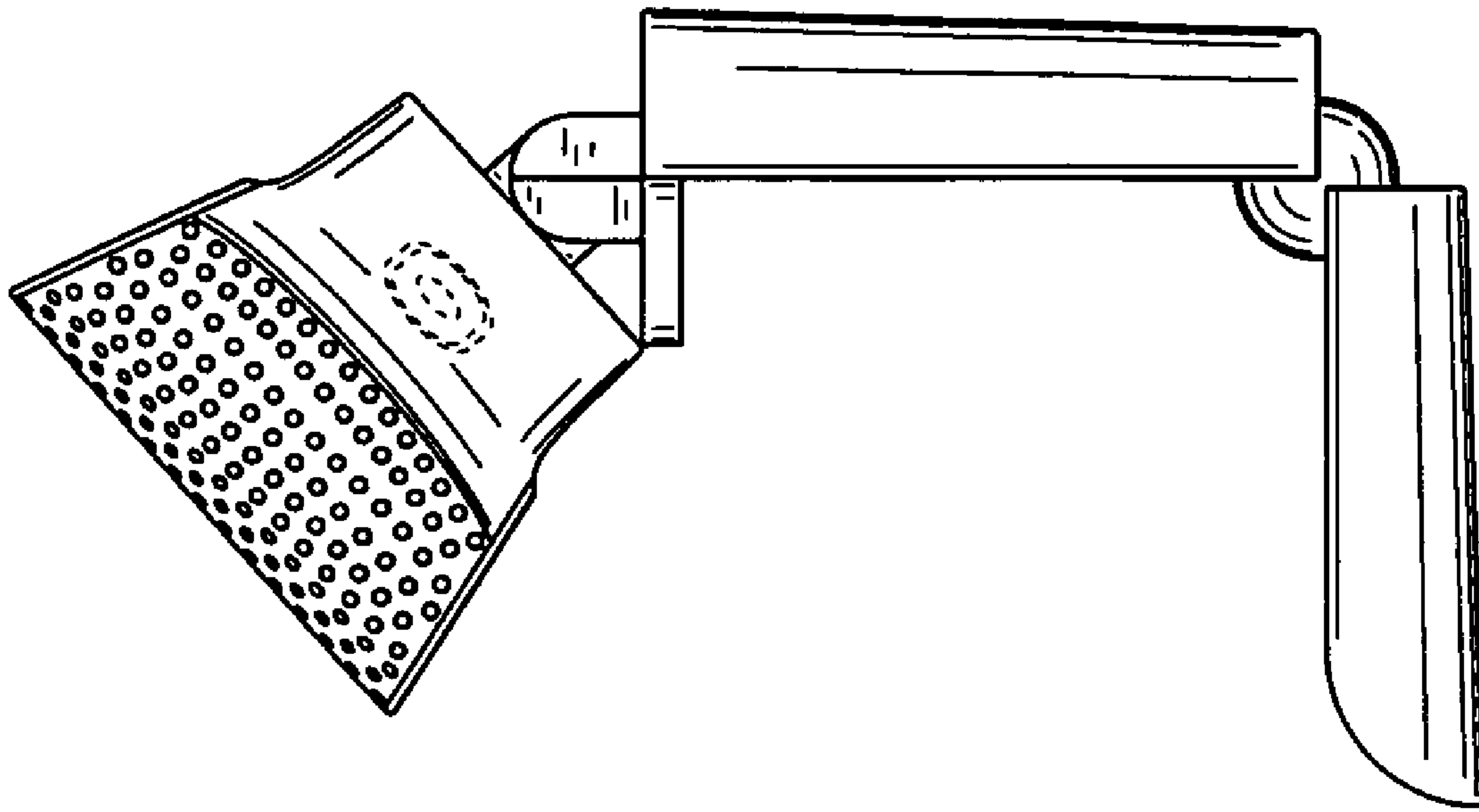
**FIG. 17**



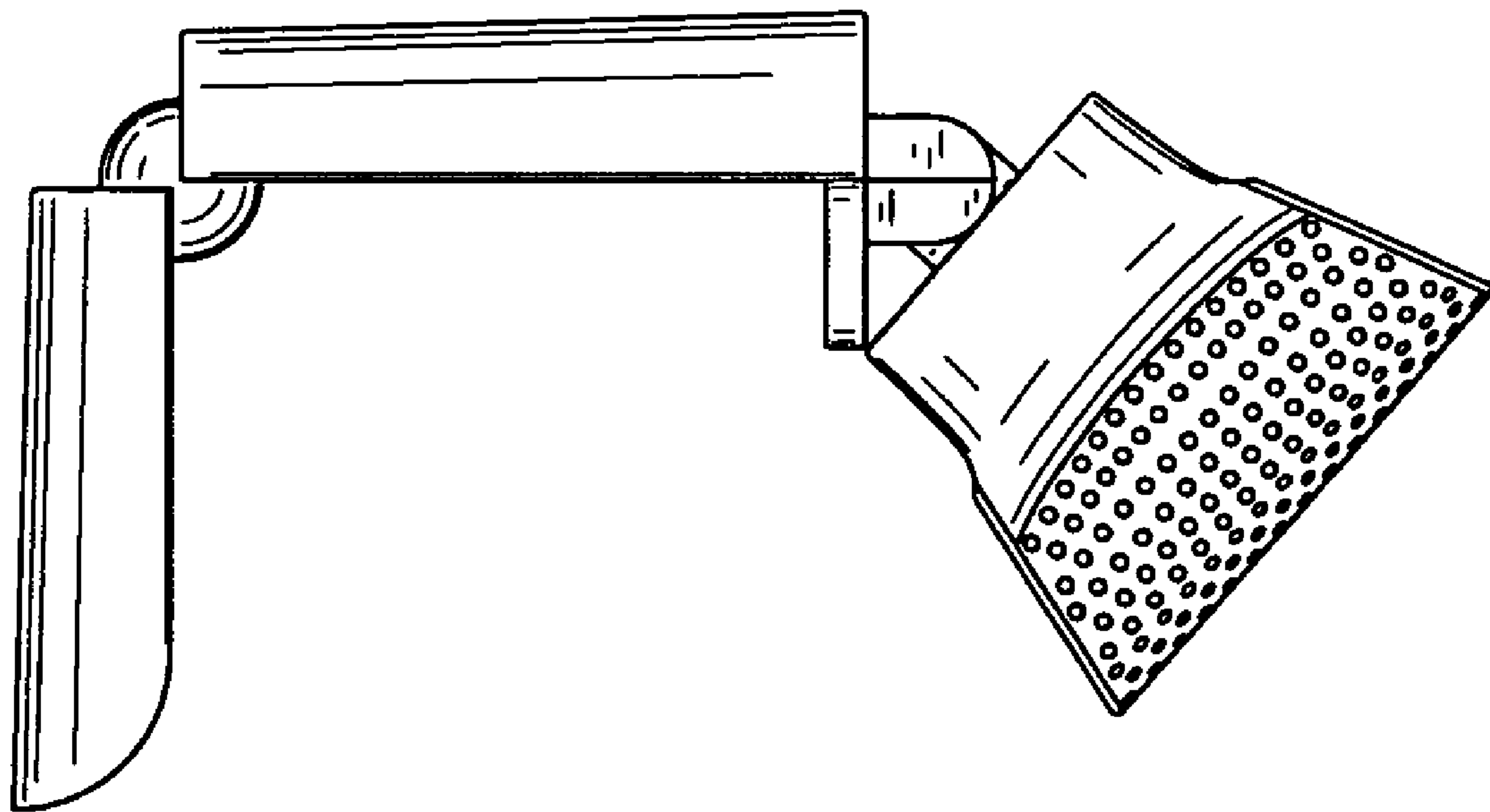
**FIG. 18**



**FIG. 19**



**FIG. 20**



**FIG. 21**



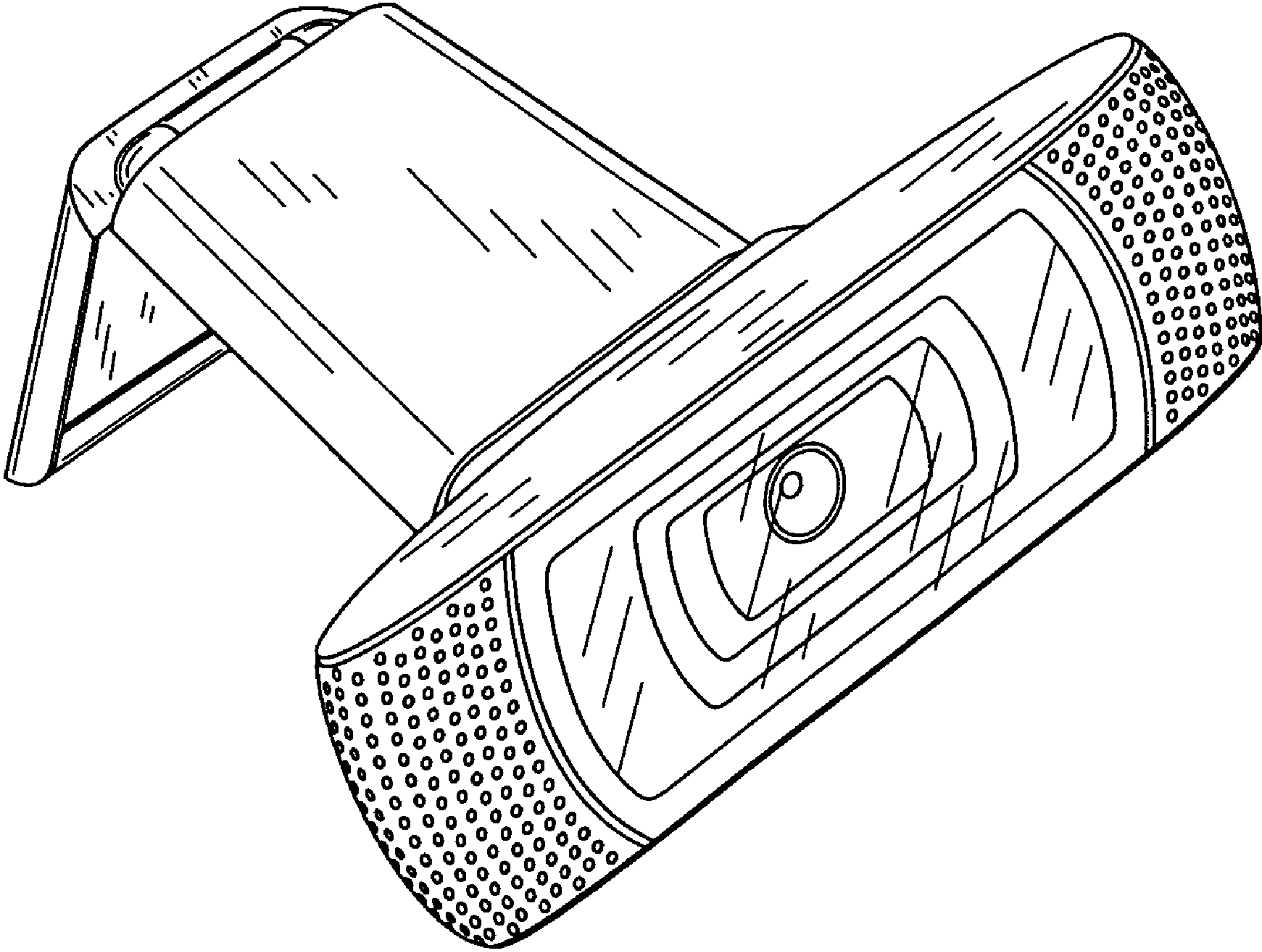
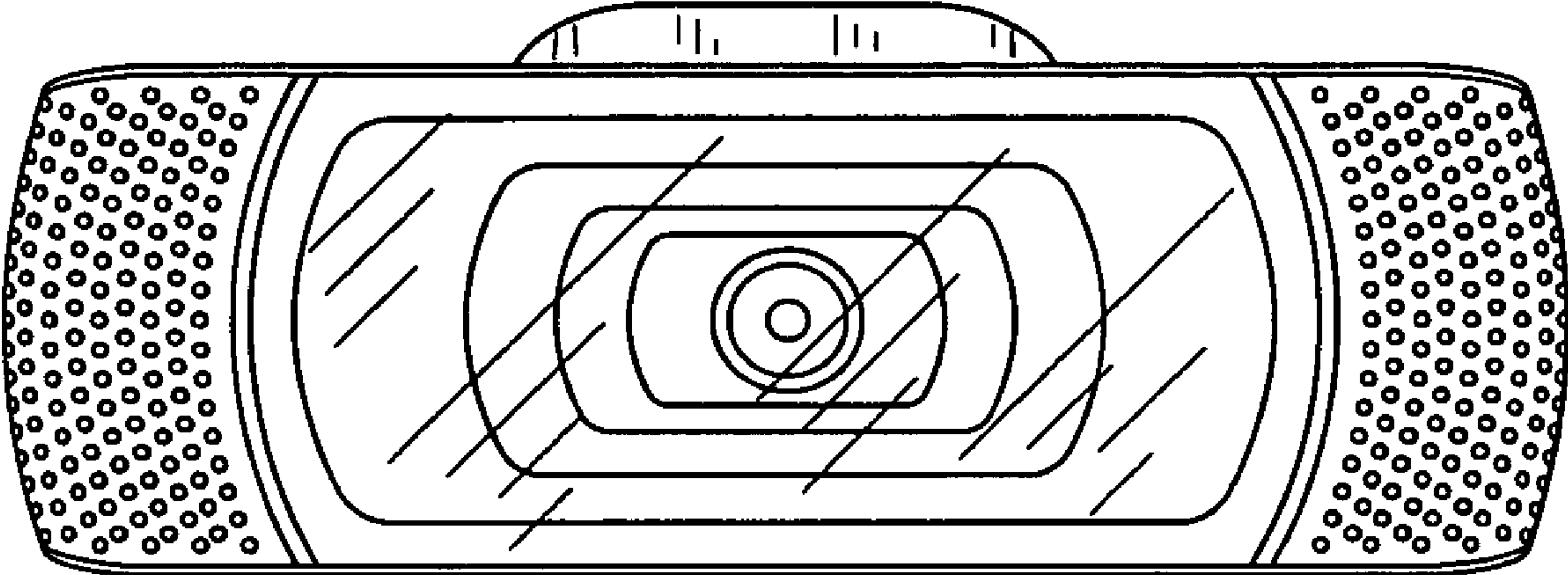
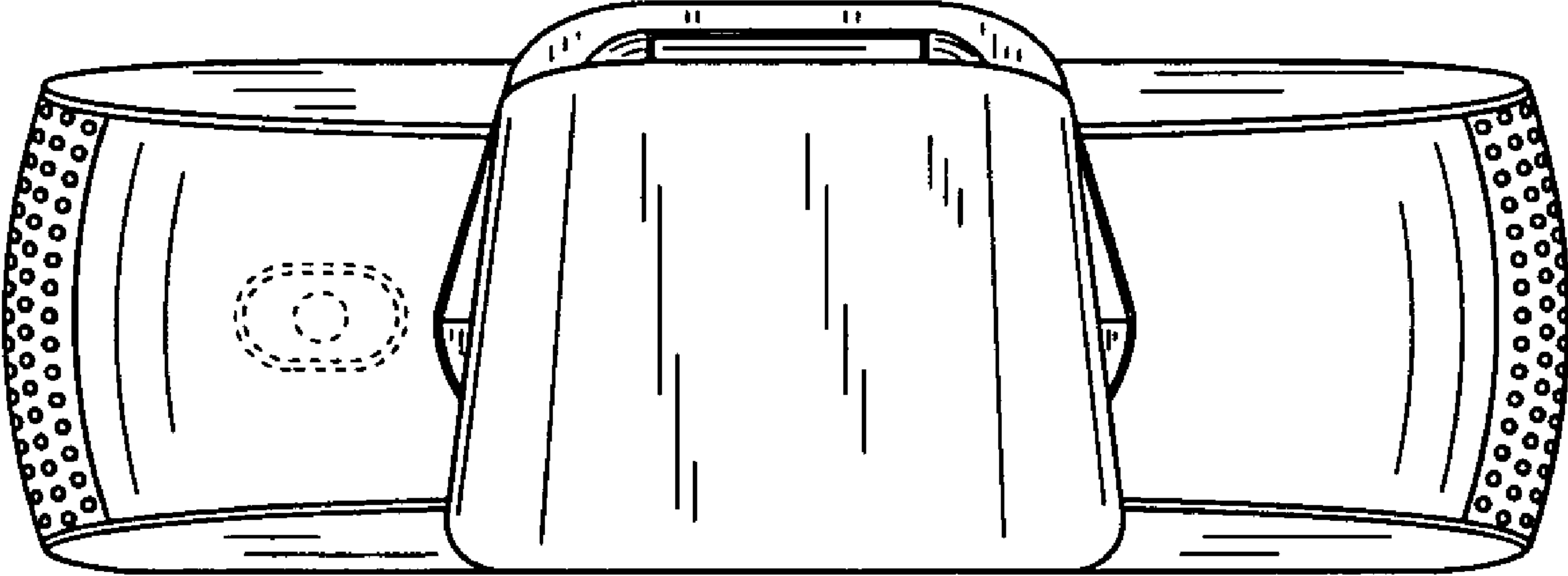


FIG. 22



**FIG. 23**



**FIG. 24**

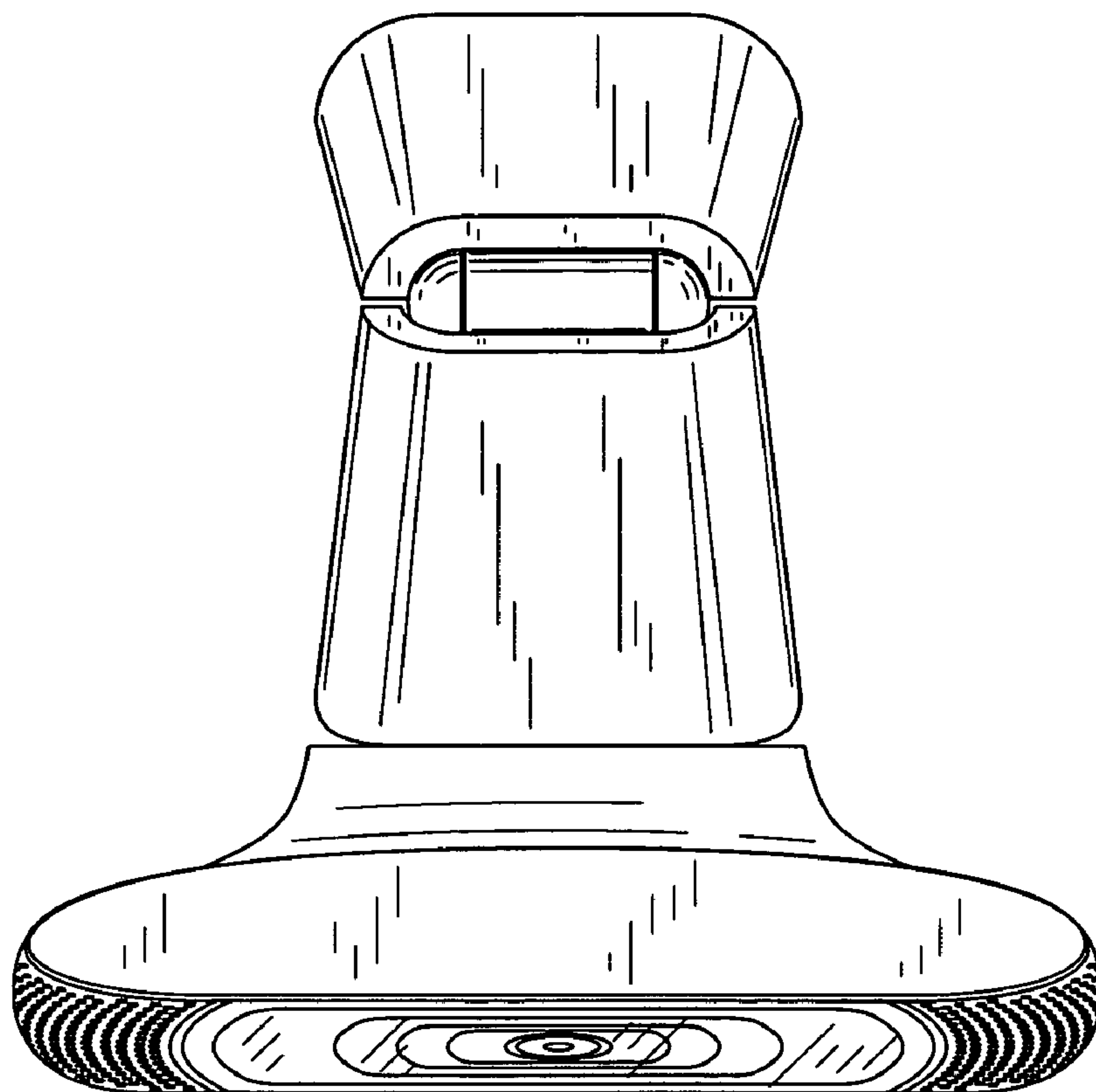


FIG. 25

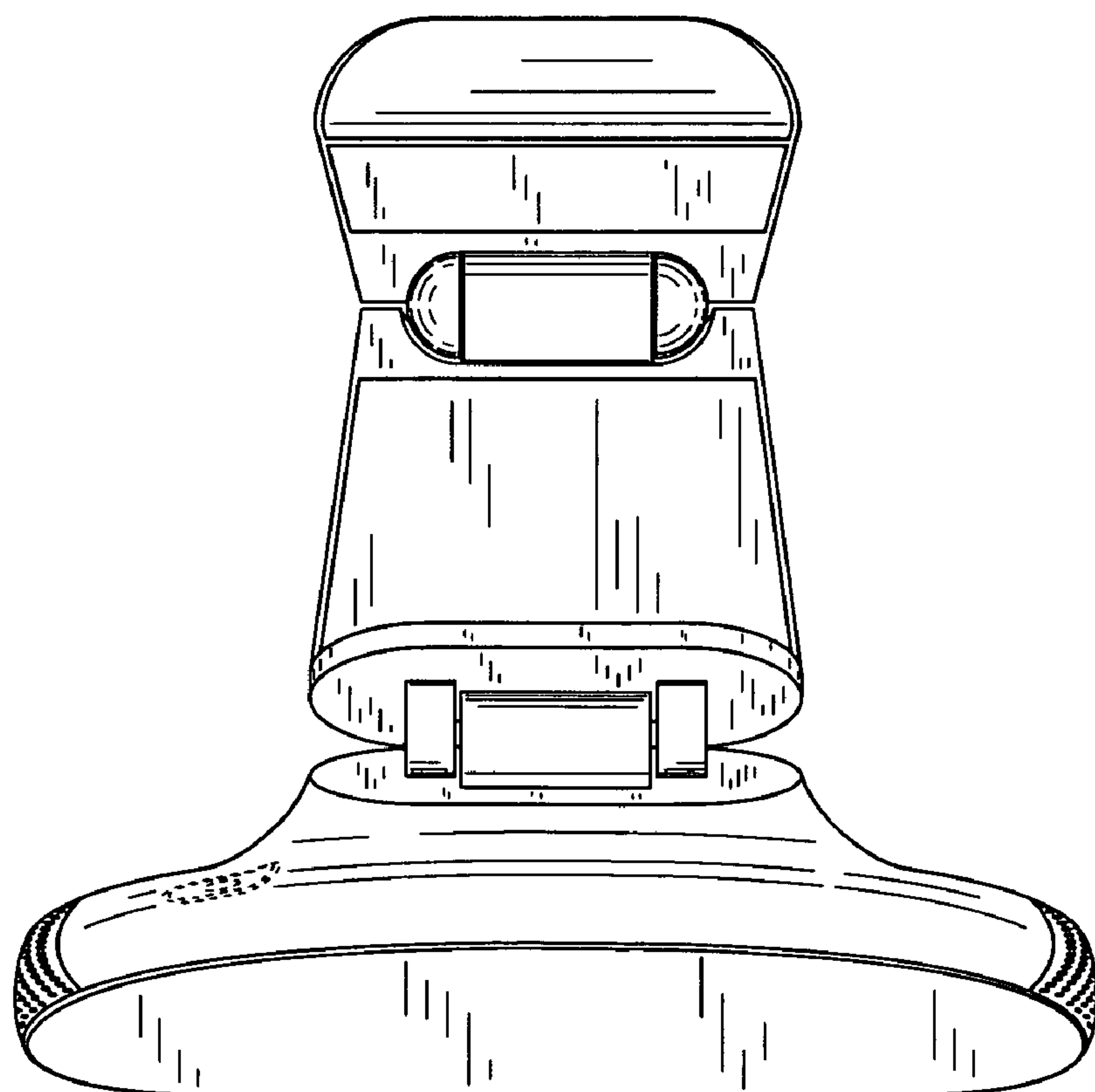
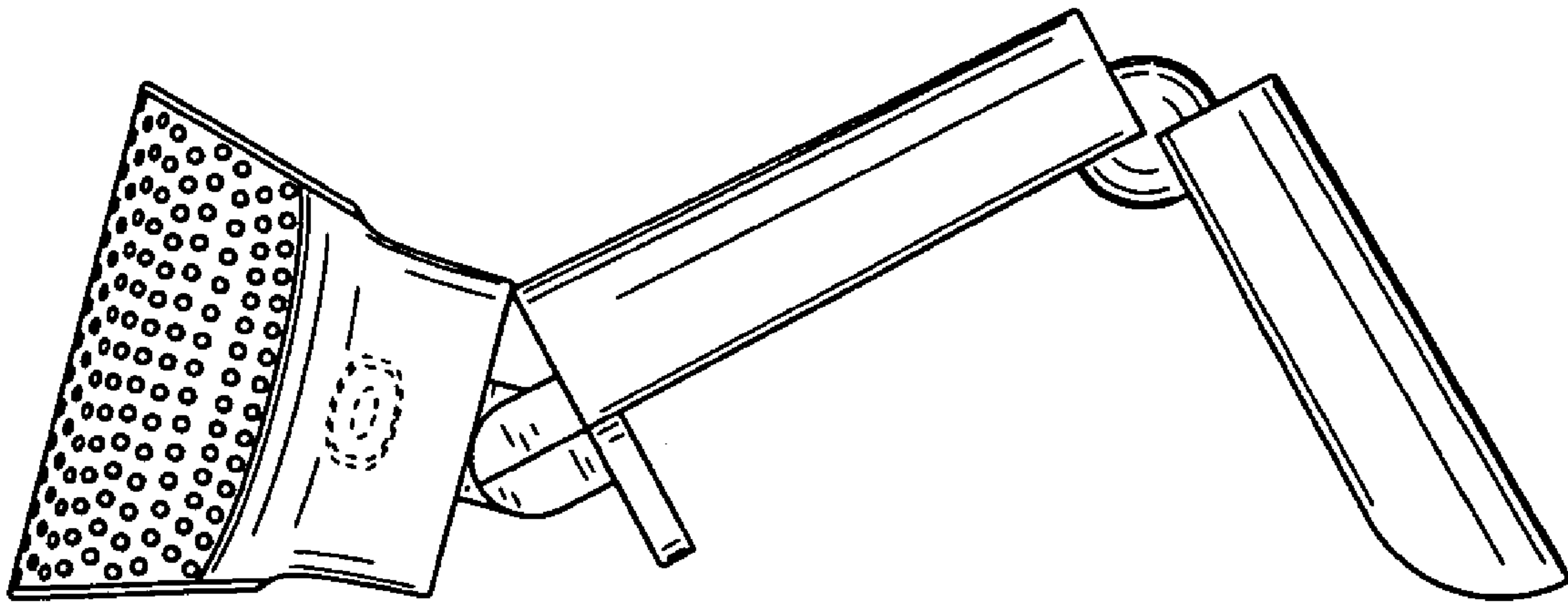
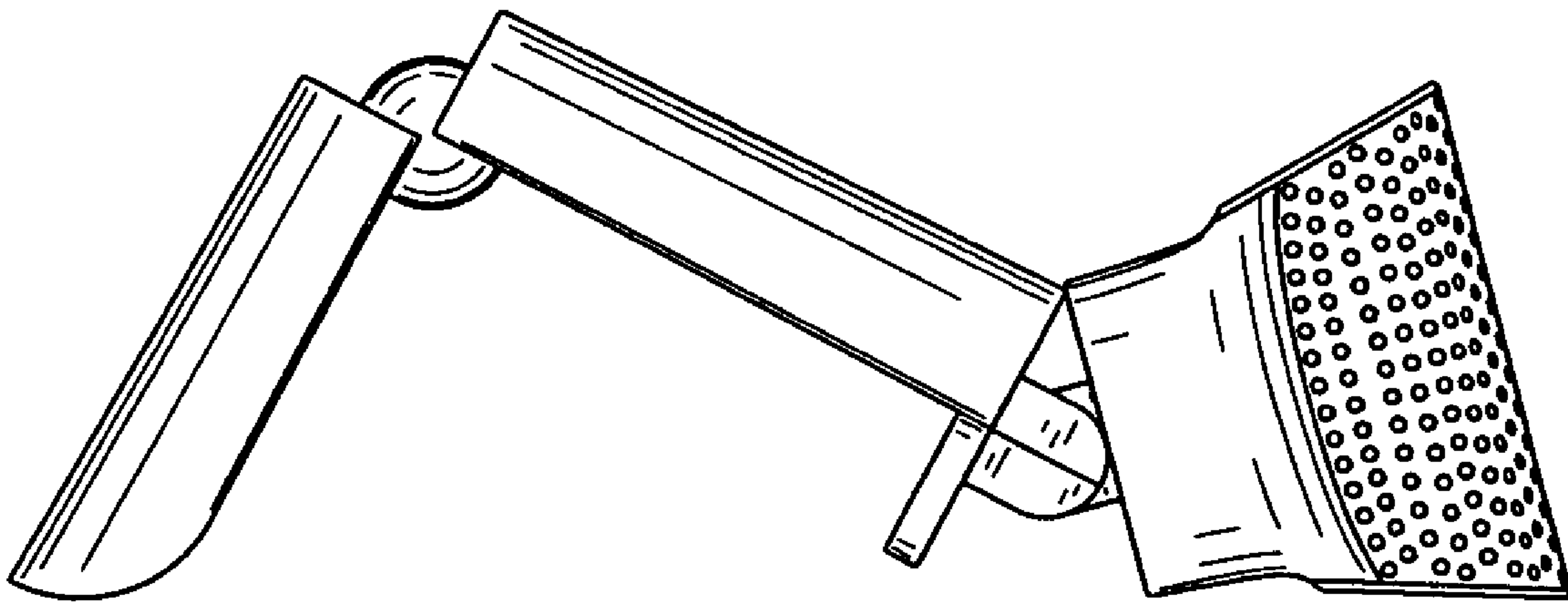


FIG. 26



**FIG. 27**



**FIG. 28**