



US00D654938S

(12) **United States Design Patent**  
**Diener**

(10) **Patent No.:** **US D654,938 S**  
(45) **Date of Patent:** **\*\* Feb. 28, 2012**

(54) **OPERATING HANDWHEEL FOR MACHINES**

(75) Inventor: **Benjamin Diener**, Ulm (DE)  
(73) Assignee: **Otto Ganter GmbH & Co. KG**  
**Normteilefabrik**, Furtwangen (DE)

(\*\*) Term: **14 Years**  
(21) Appl. No.: **29/331,416**  
(22) Filed: **Jan. 26, 2009**

(30) **Foreign Application Priority Data**

Jul. 25, 2008 (EP) ..... 000977301

(51) **LOC (9) Cl.** ..... **15-09**  
(52) **U.S. Cl.** ..... **D15/142**  
(58) **Field of Classification Search** ..... D8/300,  
D8/306-310, 352; D15/142; 16/429, 432;  
74/545, 552, 553, 555-558  
See application file for complete search history.

(56) **References Cited**

**U.S. PATENT DOCUMENTS**

|           |     |         |                |       |         |
|-----------|-----|---------|----------------|-------|---------|
| 4,155,589 | A * | 5/1979  | Kouth          | ..... | 296/214 |
| D289,370  | S * | 4/1987  | Bertani        | ..... | D8/309  |
| D336,233  | S * | 6/1993  | Zimmermann     | ..... | D8/309  |
| D369,966  | S * | 5/1996  | Decursu et al. | ..... | D8/309  |
| D373,064  | S * | 8/1996  | Decursu et al. | ..... | D8/309  |
| D463,967  | S * | 10/2002 | Bertani        | ..... | D8/309  |
| D492,180  | S * | 6/2004  | Bertani        | ..... | D8/309  |
| D495,231  | S * | 8/2004  | Bertani        | ..... | D8/309  |
| D516,098  | S * | 2/2006  | Billger et al. | ..... | D15/28  |

**OTHER PUBLICATIONS**

www.jwwinco.com J.W. Winco, 2010.\*

\* cited by examiner

*Primary Examiner* — Patricia Palasik  
(74) *Attorney, Agent, or Firm* — The Maxham Firm

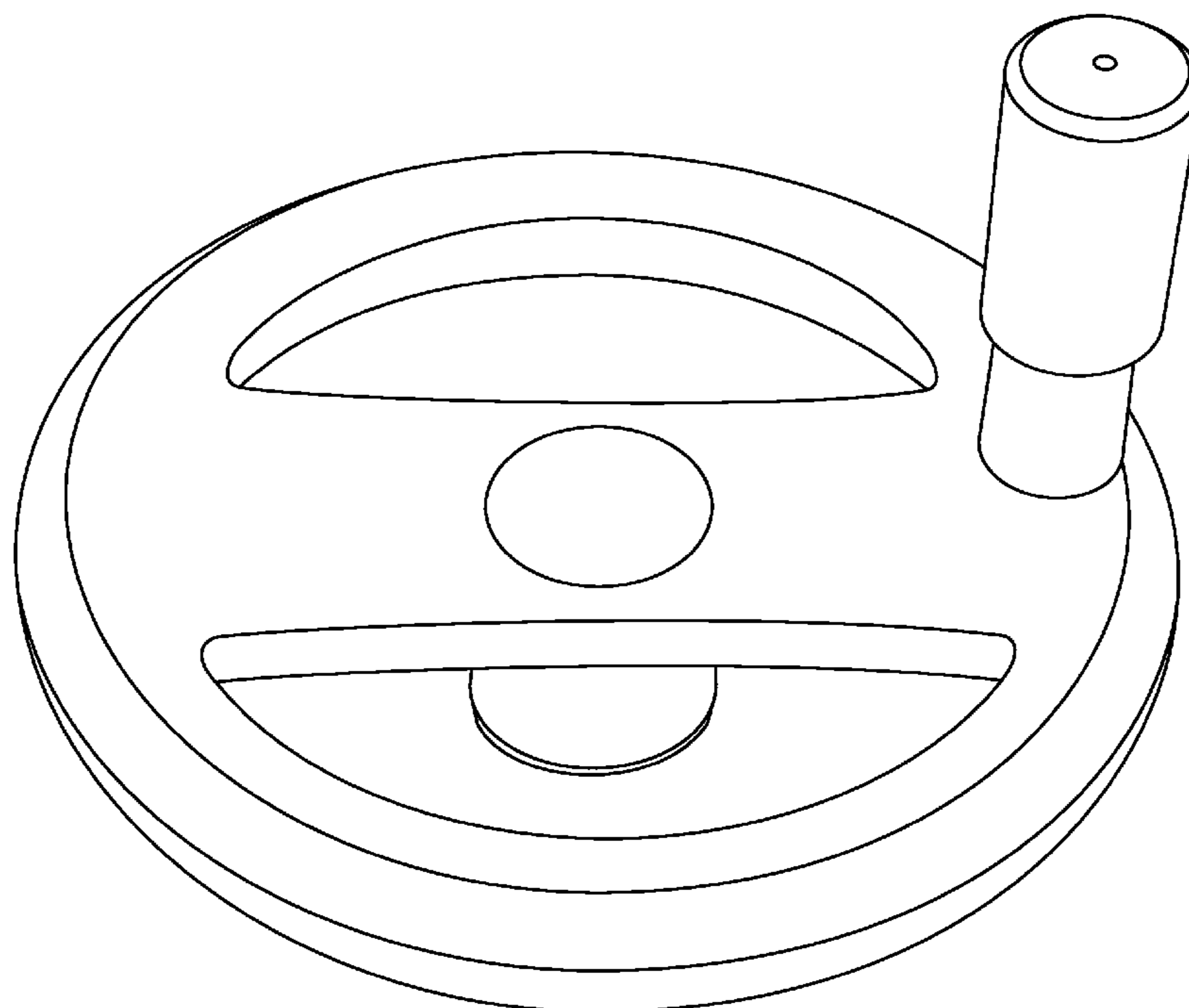
(57) **CLAIM**

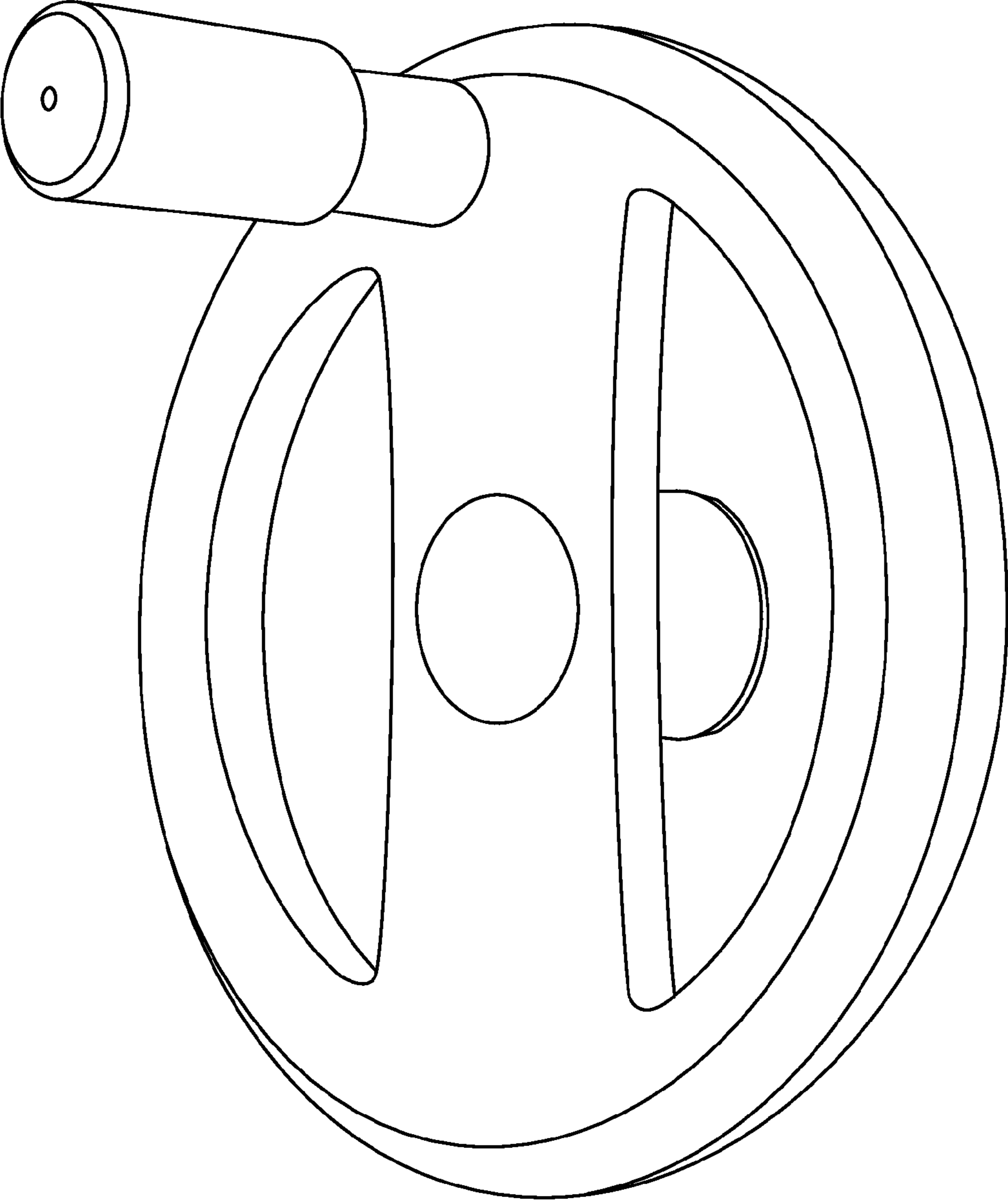
The ornamental design for a operating handwheel for machines, as shown and described.

**DESCRIPTION**

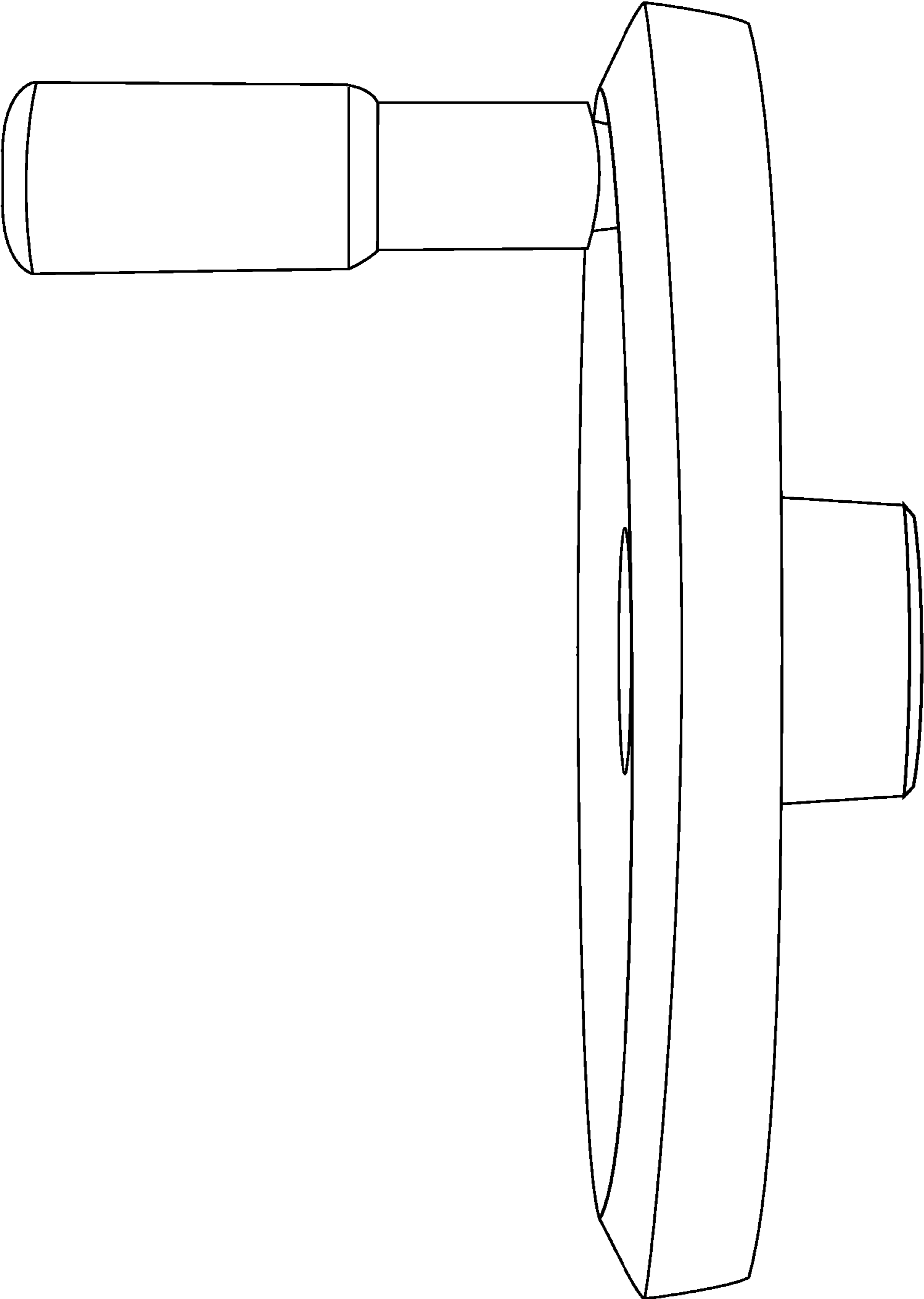
FIG. 1 is a top perspective view of a handwheel according to an embodiment of the invention;  
FIG. 2 is a side elevation view thereof;  
FIG. 3 is a top plan view thereof;  
FIG. 4 is a bottom plan view thereof;  
FIG. 5 is a top perspective view of a second embodiment of the handwheel according to the invention;  
FIG. 6 is a side elevation view thereof;  
FIG. 7 is a top plan view thereof;  
FIG. 8 is a bottom plan view thereof;  
FIG. 9 is a top perspective view of the FIG. 5 embodiment in an alternate condition of use with the handle folded into a groove formed to encase the handle;  
FIG. 10 is a side elevation of the embodiment of the invention shown in FIG. 5;  
FIG. 11 is a bottom perspective view of a third embodiment of the handwheel according to the invention;  
FIG. 12 is a side elevation view thereof;  
FIG. 13 is top plan view thereof; and,  
FIG. 14 is a bottom plan view thereof.

**1 Claim, 14 Drawing Sheets**

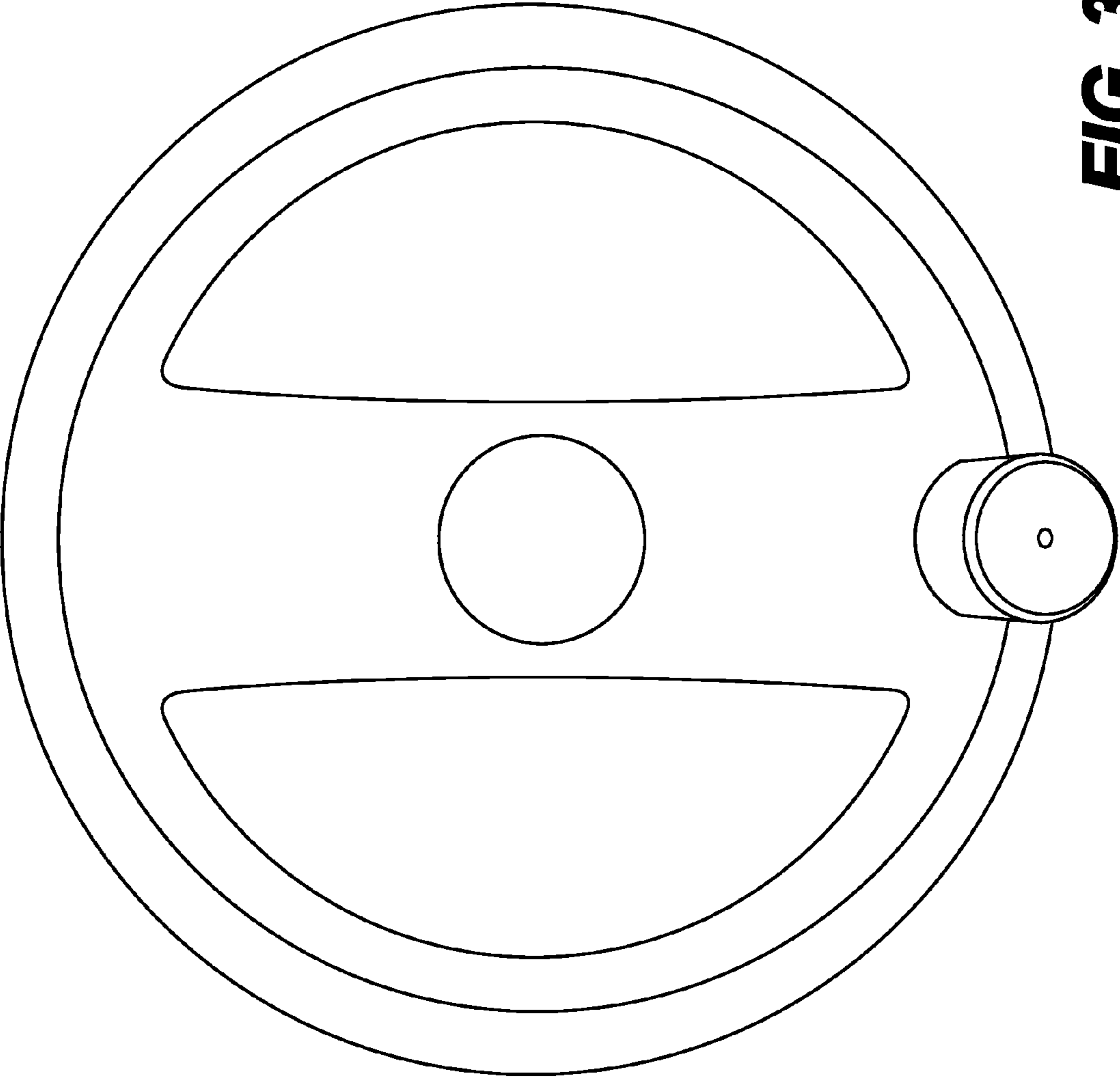




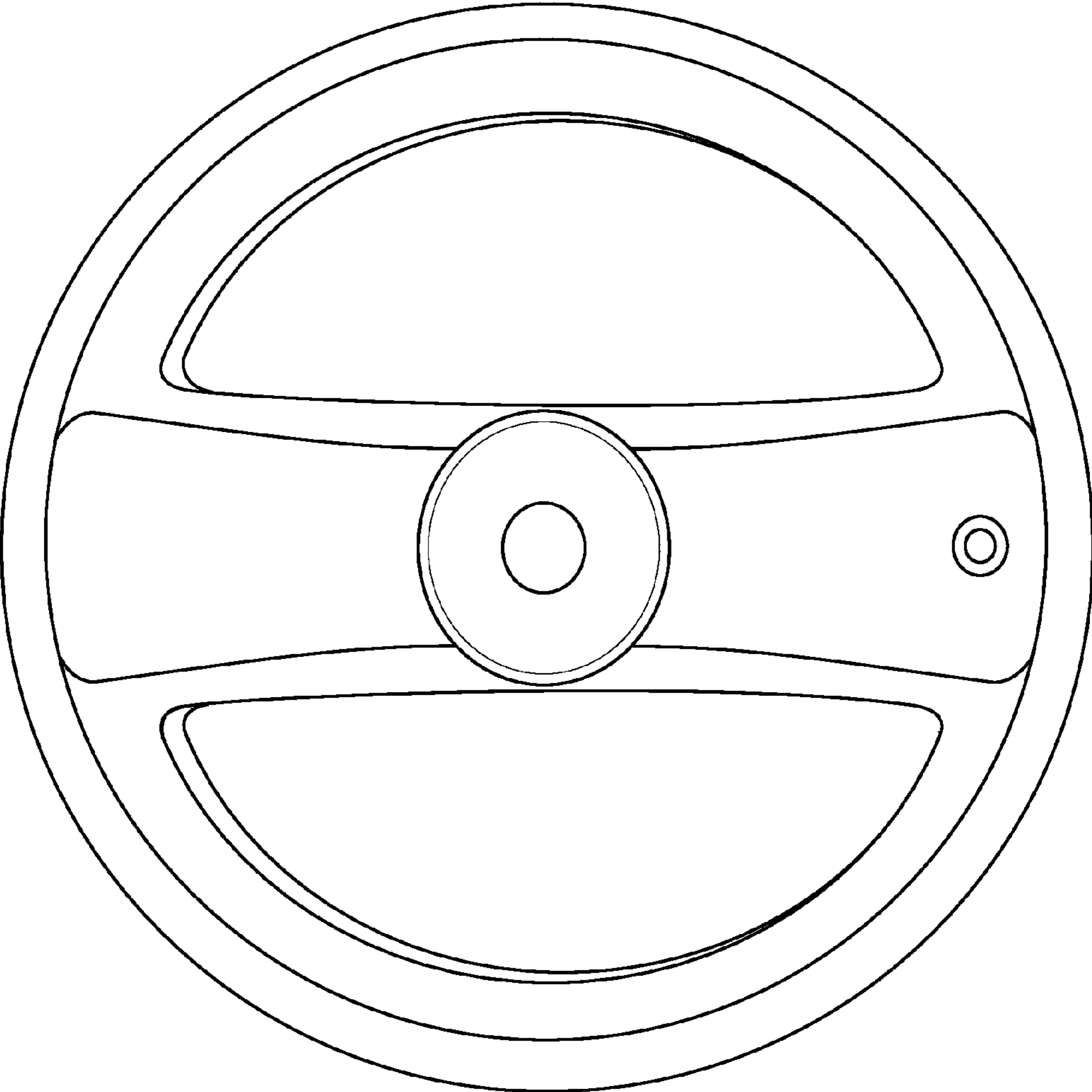
**FIG. 1**



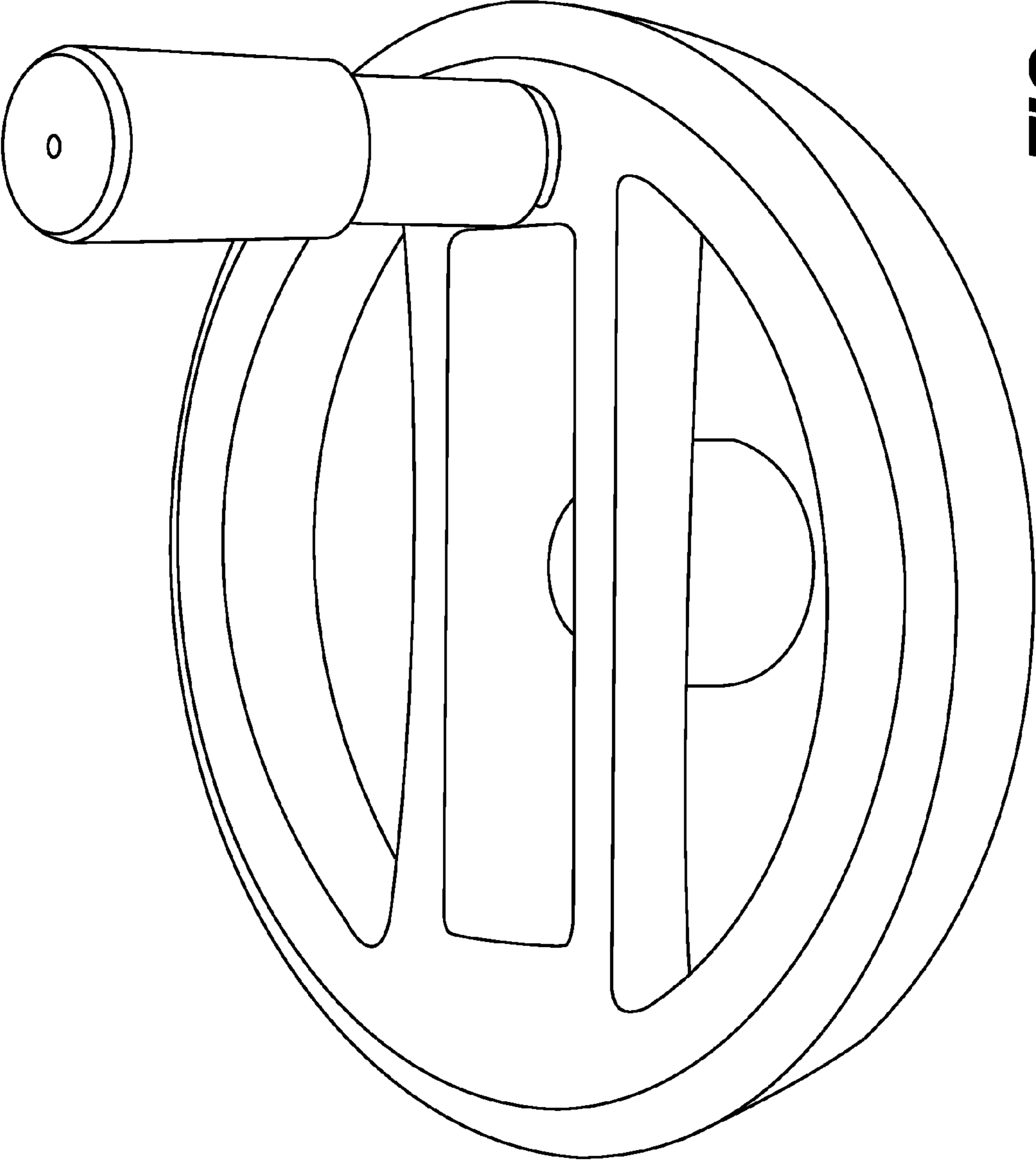
**FIG. 2**



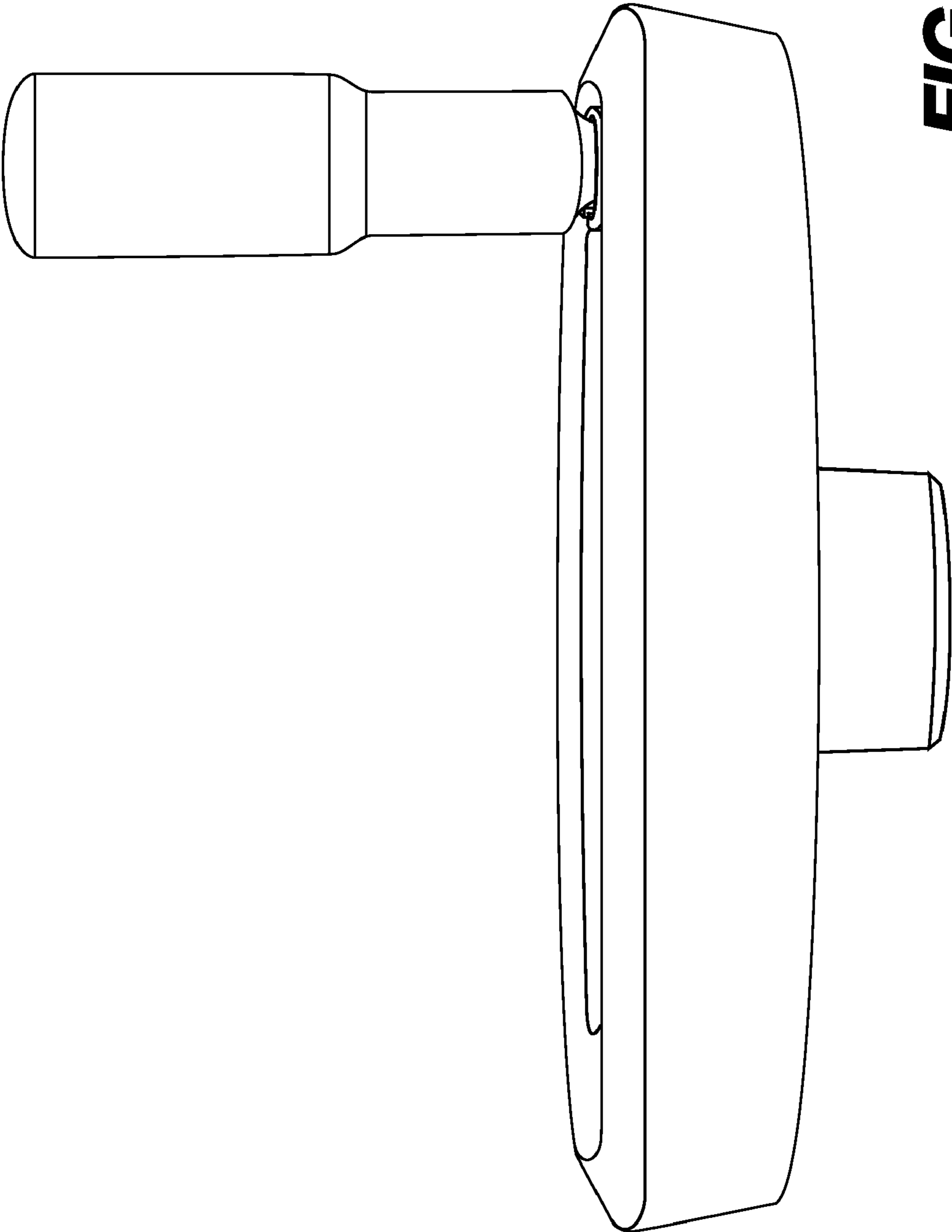
**FIG. 3**



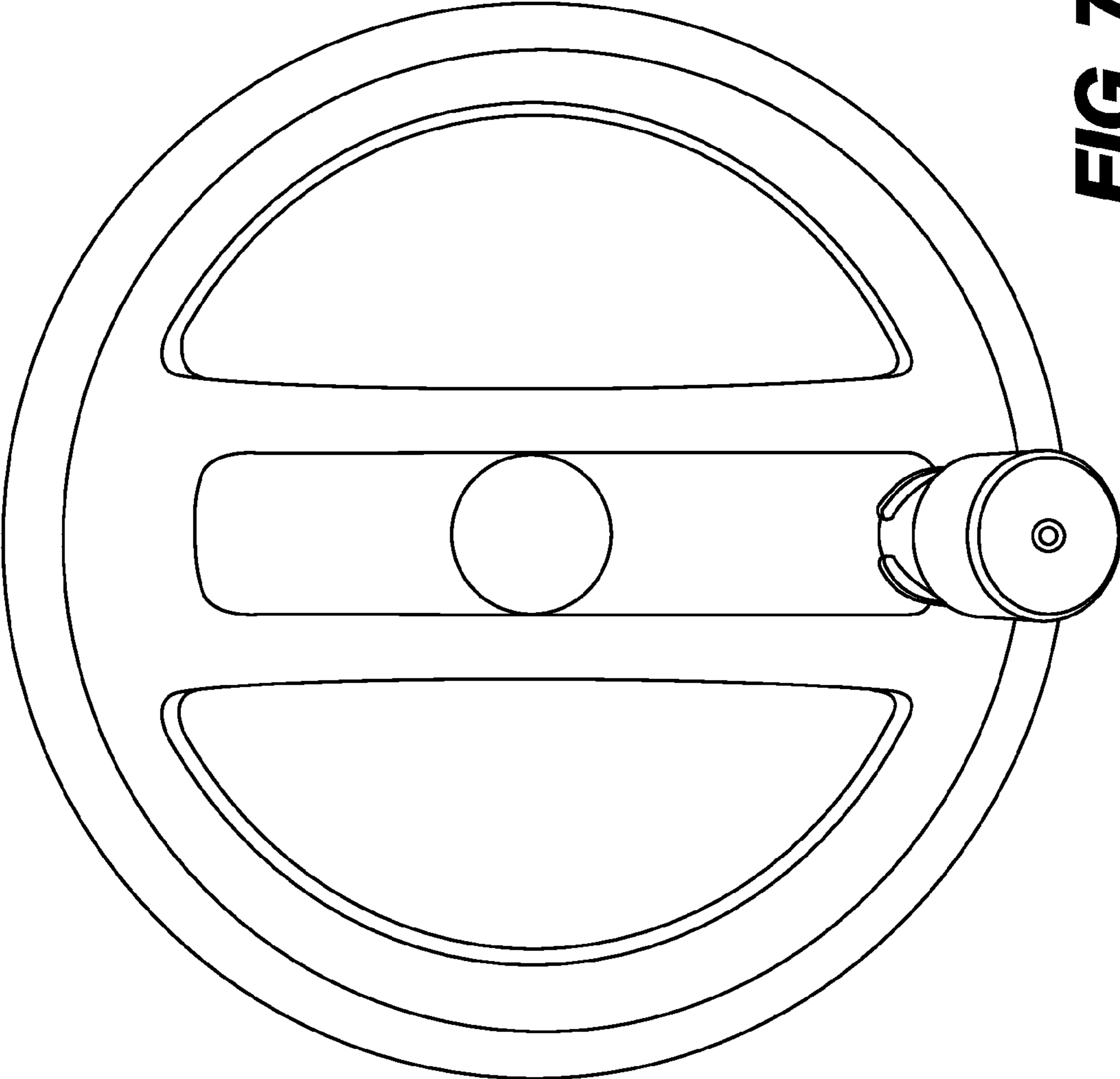
**FIG. 4**



**FIG. 5**

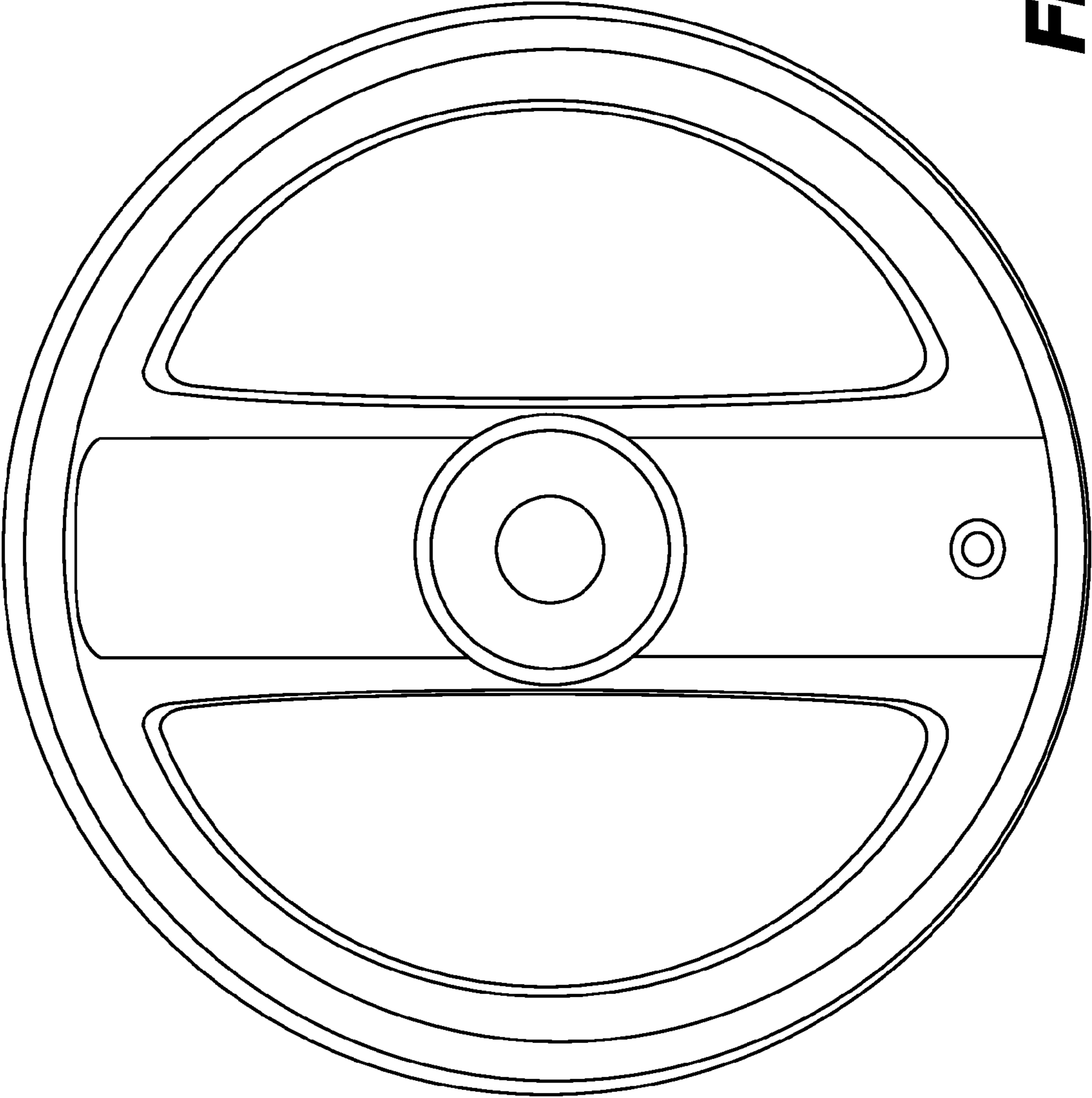


**FIG. 6**

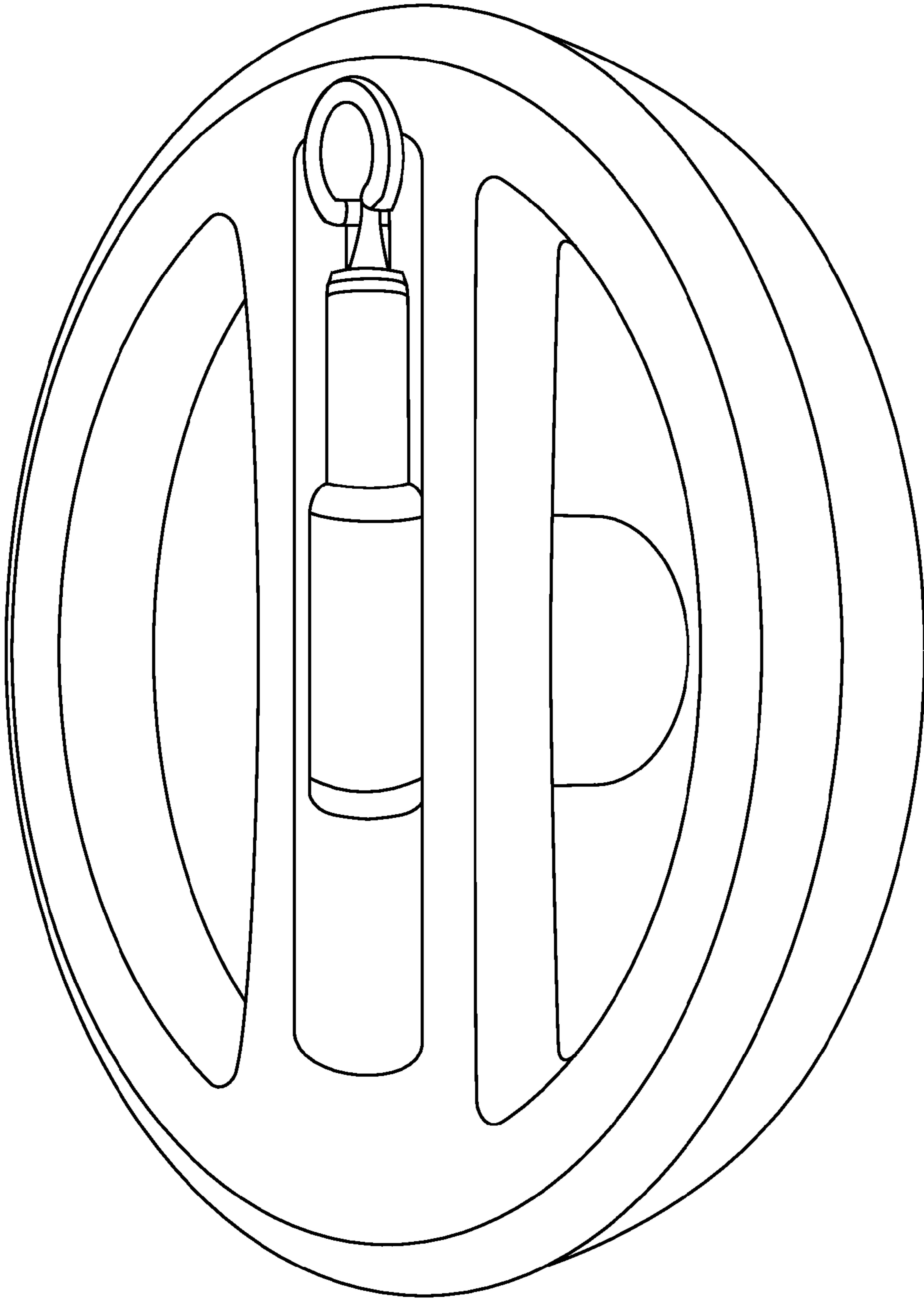


**FIG. 7**

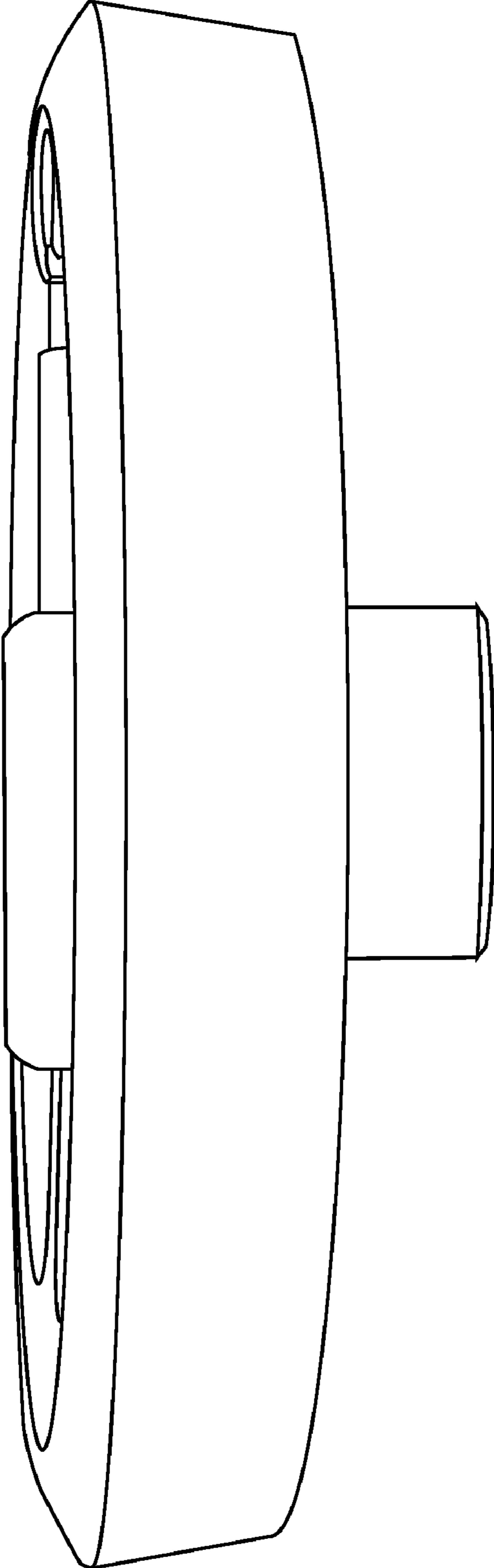




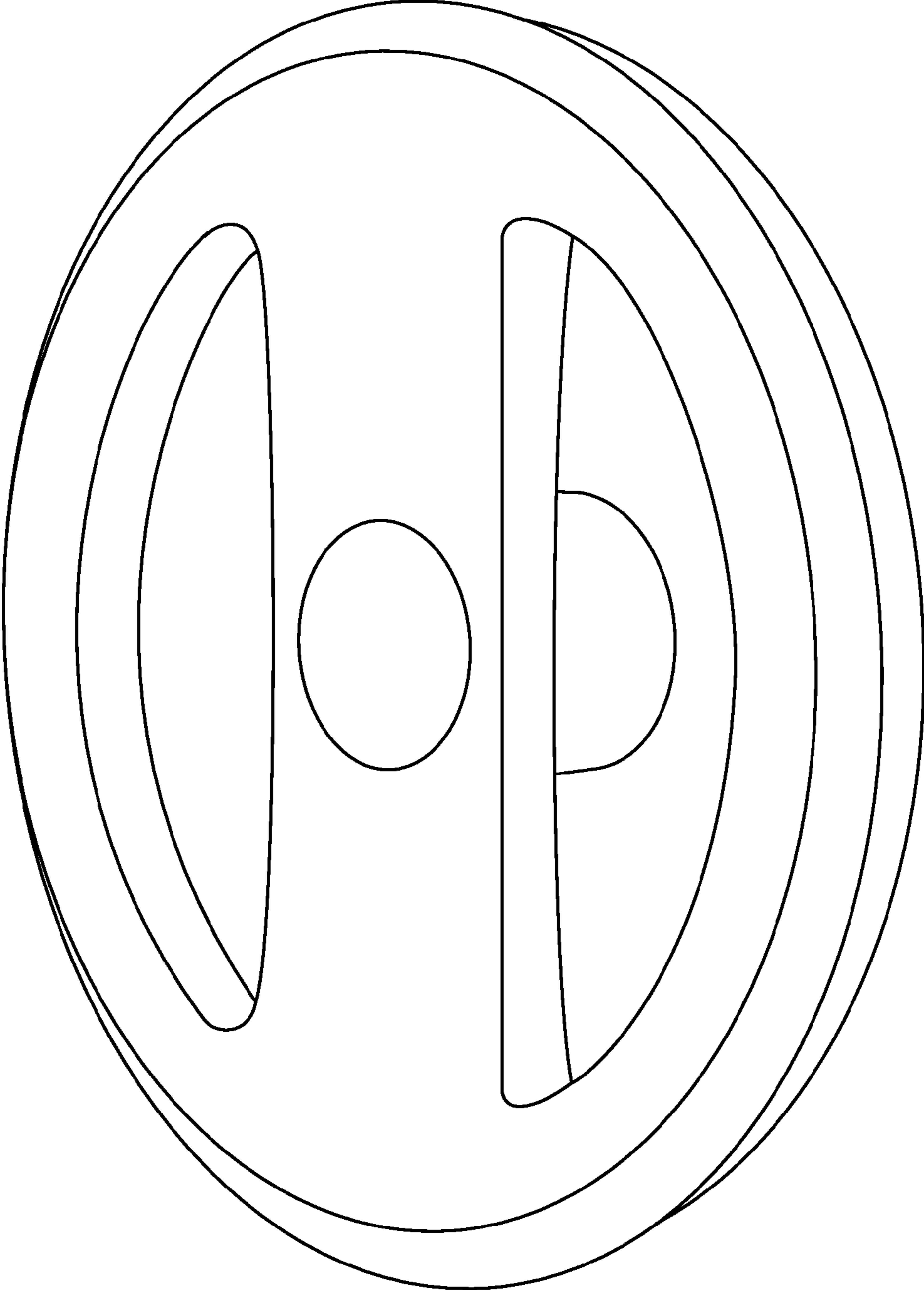
**FIG. 8**



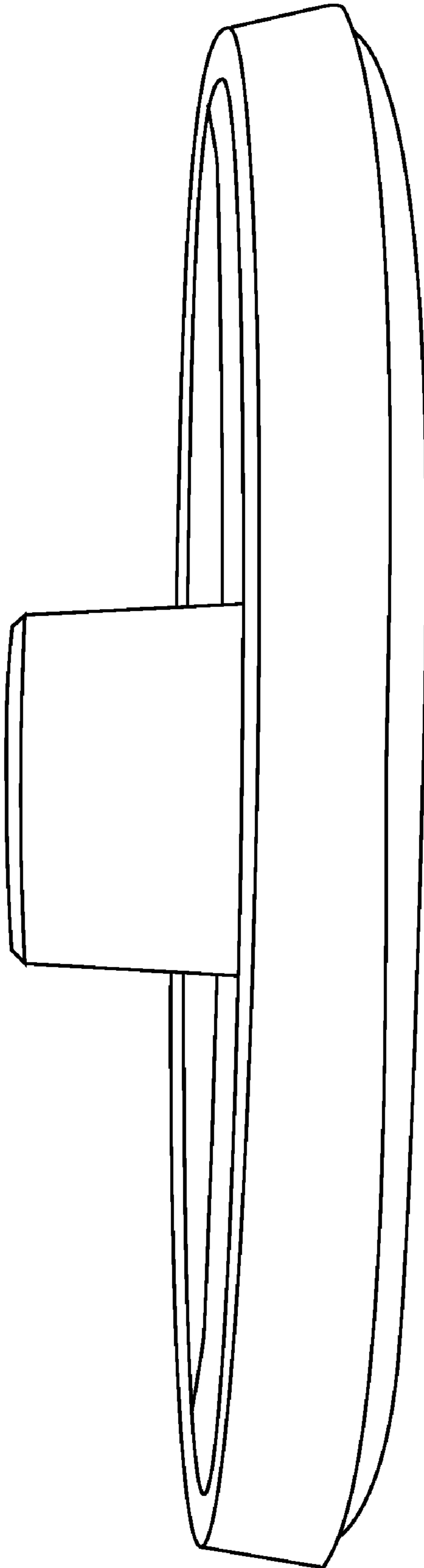
**FIG. 9**



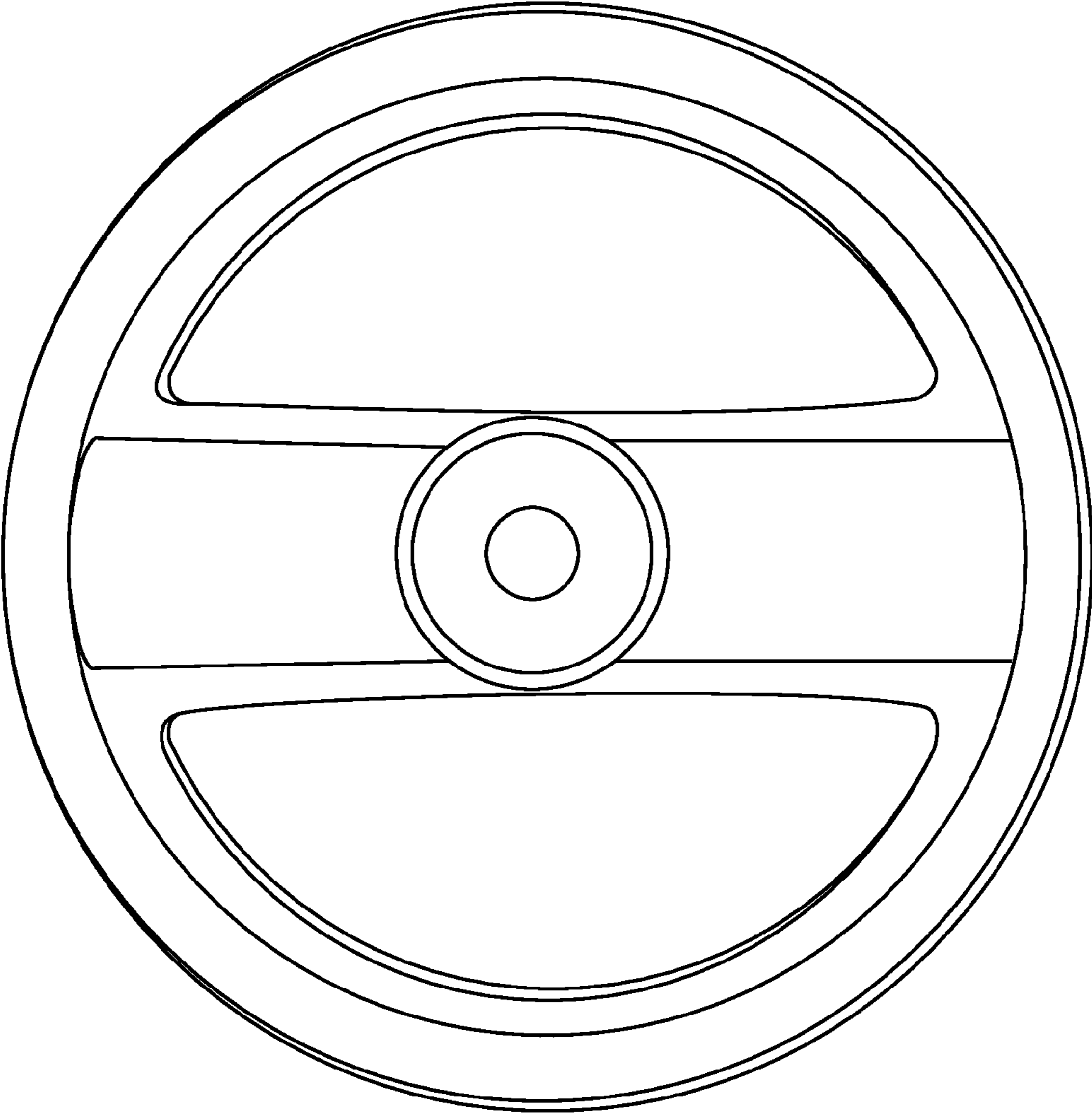
**FIG. 10**



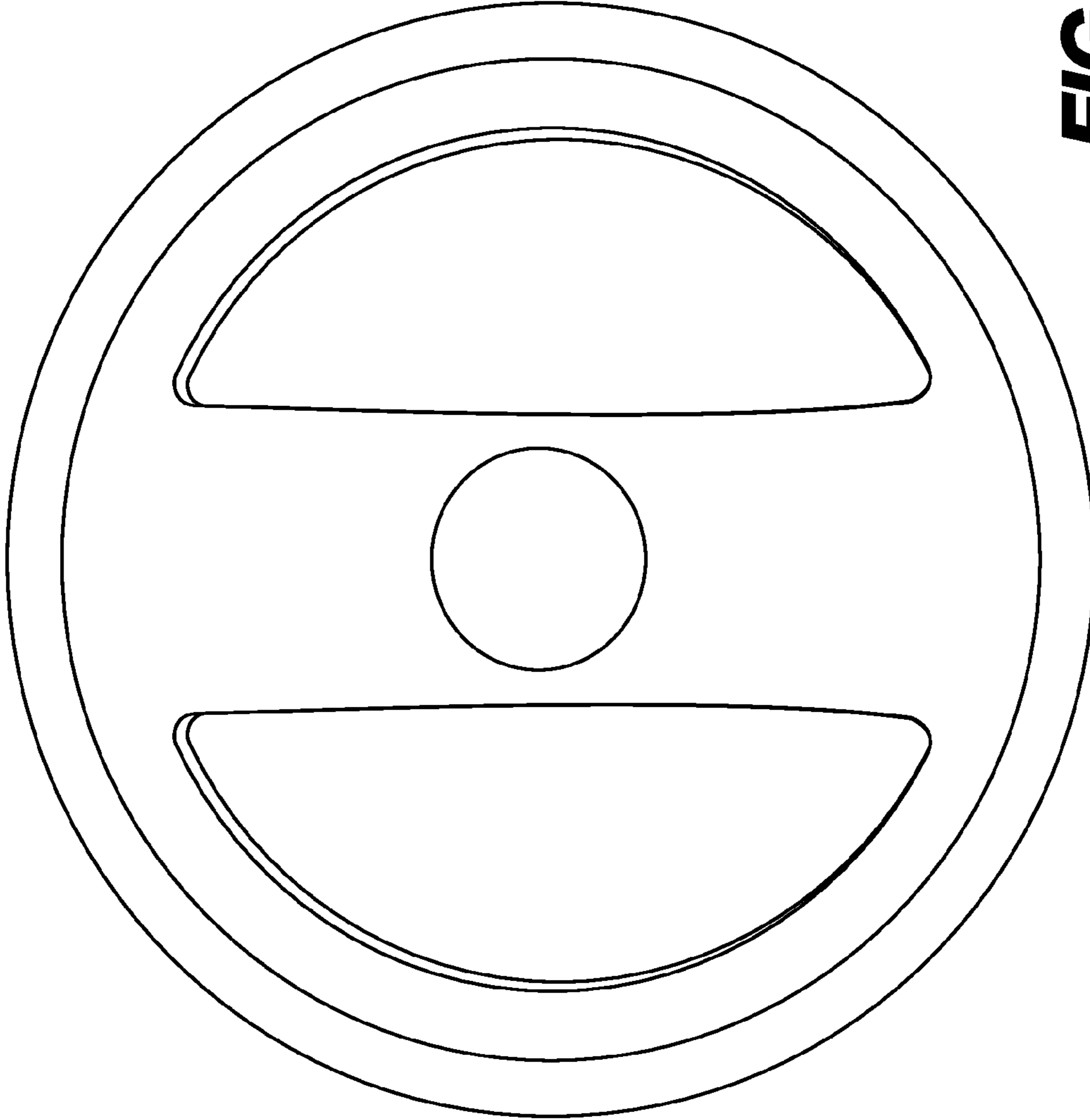
**FIG. 11**



**FIG. 12**



**FIG. 13**



**FIG. 14**