



US00D654937S

(12) **United States Design Patent**
Fader et al.

(10) **Patent No.:** **US D654,937 S**
(45) **Date of Patent:** **** Feb. 28, 2012**

(54) **WASHER FOR A SHANK OF A TOOL PICK**
(75) Inventors: **Joseph Fader**, Abingdon, VA (US);
Kenneth Monyak, Abingdon, VA (US)
(73) Assignee: **Sandvik Intellectual Property AB**,
Sandviken (SE)

(**) Term: **14 Years**
(21) Appl. No.: **29/363,113**

(22) Filed: **Jun. 4, 2010**
(51) **LOC (9) Cl.** **15-09**
(52) **U.S. Cl.** **D15/138**
(58) **Field of Classification Search** D8/70,
D8/71, 354, 356, 349, 360, 382, 399; D9/453,
D9/437; D11/26, 39; D12/175, 204, 207,
D12/209, 501; D15/5, 131, 138, 139, 140;
D23/269; 70/34, 386; 172/497; 222/333;
191/12.4; 254/393; 279/89; 299/10, 104,
299/105, 106, 107, 111, 113, 126; 320/111,
320/114; 403/316; 409/233; 411/197, 204,
411/248, 368, 371.2, 353, 531, 532, 533,
411/544, 918, 928; 439/501; 474/8, 29,
474/31, 37, 39, 41, 47-57, 62, 69, 113, 135,
474/166

See application file for complete search history.

(56) **References Cited**

U.S. PATENT DOCUMENTS

5,340,248 A * 8/1994 Enbergs 409/233
D404,128 S * 1/1999 Huebner D24/145
6,679,666 B2 * 1/2004 Mizuno et al. 411/353
D549,091 S * 8/2007 McIntyre et al. D8/399
7,413,258 B2 * 8/2008 Hall et al. 299/111
7,722,127 B2 * 5/2010 Hall 299/106
D630,234 S * 1/2011 Monyak et al. D15/139

2002/0043382 A1 * 4/2002 Ryan et al. 172/497
2002/0073746 A1 * 6/2002 Wyers 70/34
2004/0139771 A1 * 7/2004 Wyers 70/34
2005/0205612 A1 * 9/2005 Muderlak et al. 222/333
2006/0280551 A1 * 12/2006 Pineiros et al. 403/316
2008/0036281 A1 * 2/2008 Hall et al. 299/105

FOREIGN PATENT DOCUMENTS

WO 2009/142578 11/2009

* cited by examiner

Primary Examiner — Patricia Palasik

(74) *Attorney, Agent, or Firm* — Morgan, Lewis & Bockius
LLP

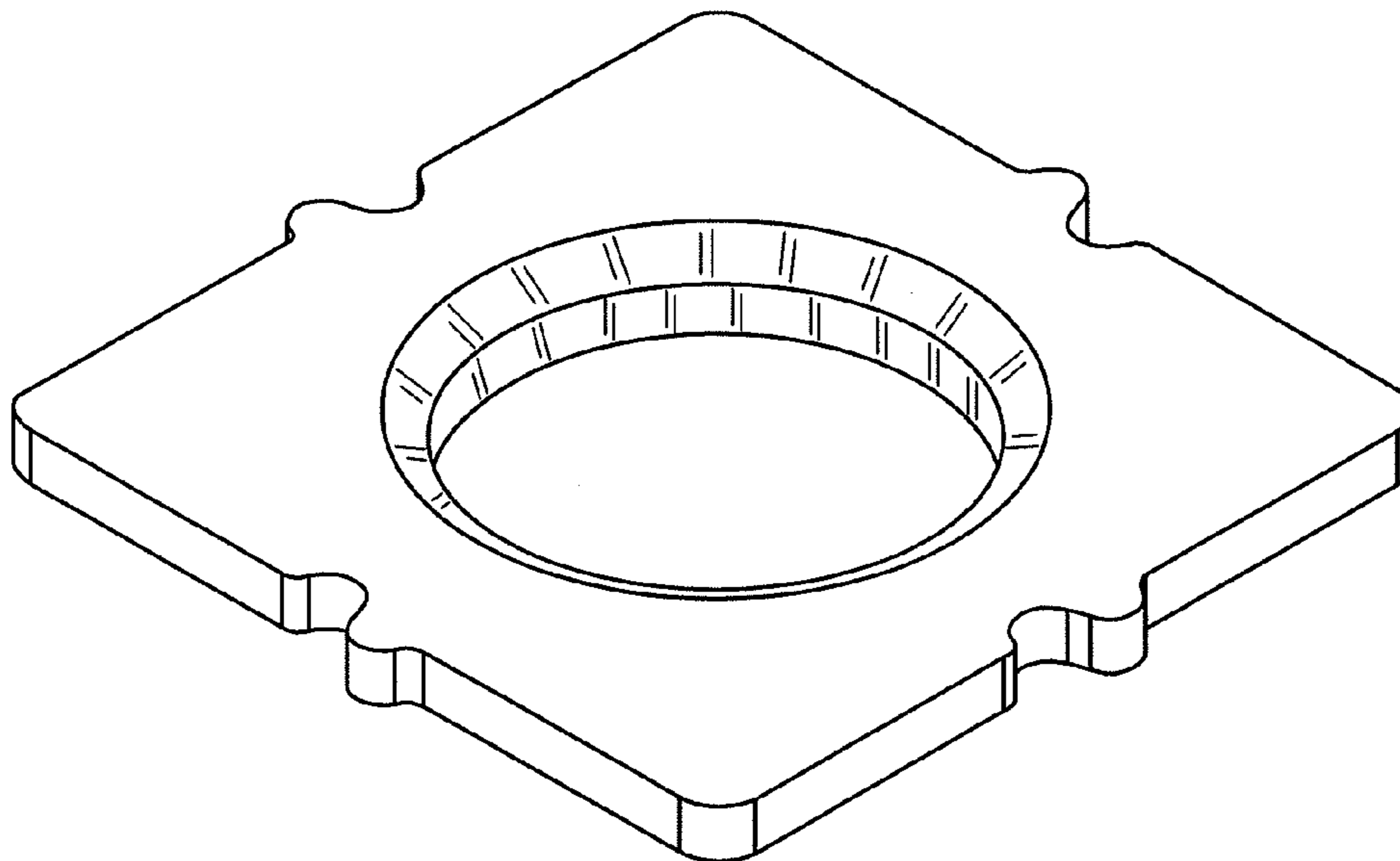
(57) **CLAIM**

The ornamental design for a washer for a shank of a tool pick,
as shown.

DESCRIPTION

FIG. 1 is a perspective view of a first embodiment of a washer
for a shank of a tool pick.
FIG. 2 is a front view of the first embodiment of the washer for
a shank of a tool pick.
FIG. 3 is a rear view of the first embodiment of the washer for
a shank of a tool pick.
FIG. 4 is a left-side view of the first embodiment of the washer
for a shank of a tool pick.
FIG. 5 is a right-side view of the first embodiment of the
washer for a shank of a tool pick.
FIG. 6 is a top view of the first embodiment of the washer for
a shank of a tool pick.
FIG. 7 is a bottom view of the first embodiment of the washer
for a shank of a tool pick; and,
FIG. 8 is an offset view of the first embodiment of the washer
for a shank of a tool pick on a shank of a tool pick installed on
a blade of mining and construction equipment.

1 Claim, 6 Drawing Sheets



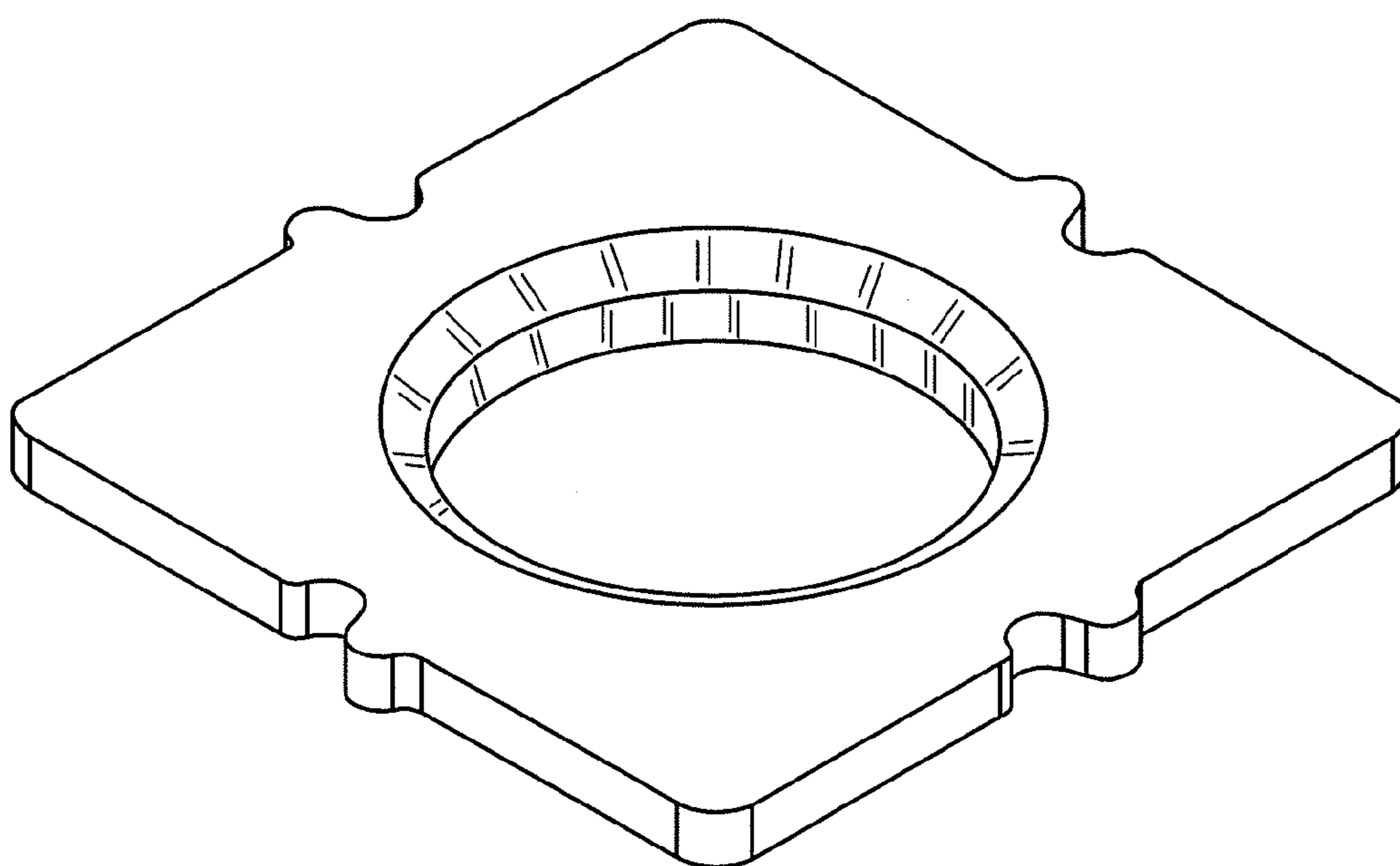


FIG. 1

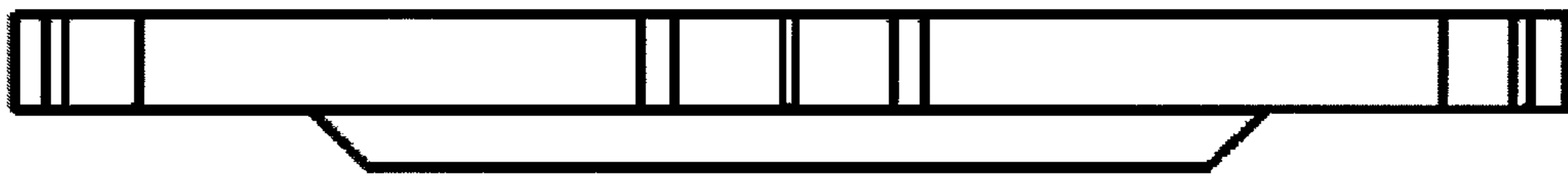


FIG. 2

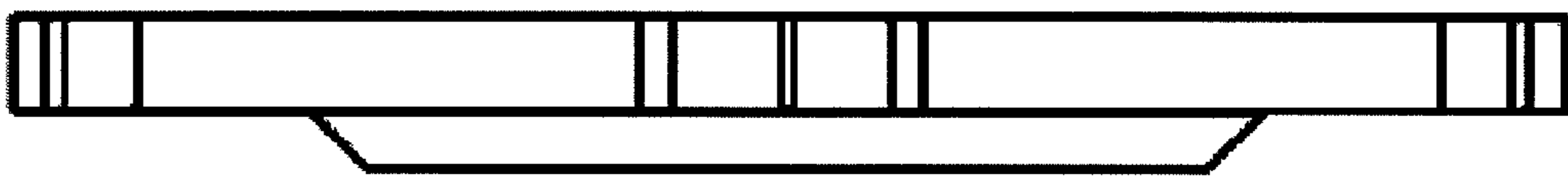


FIG. 3

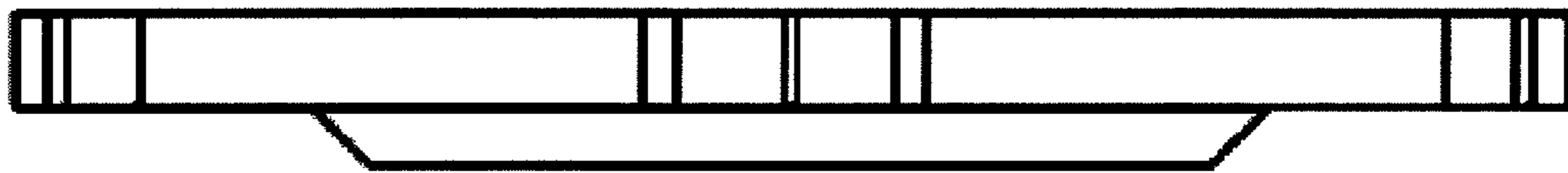


FIG. 4

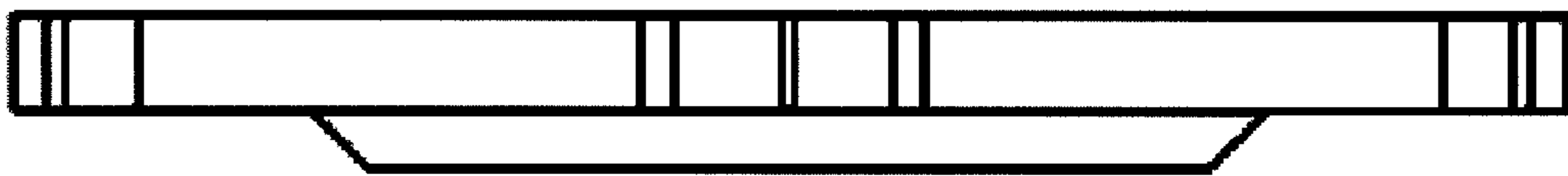


FIG. 5

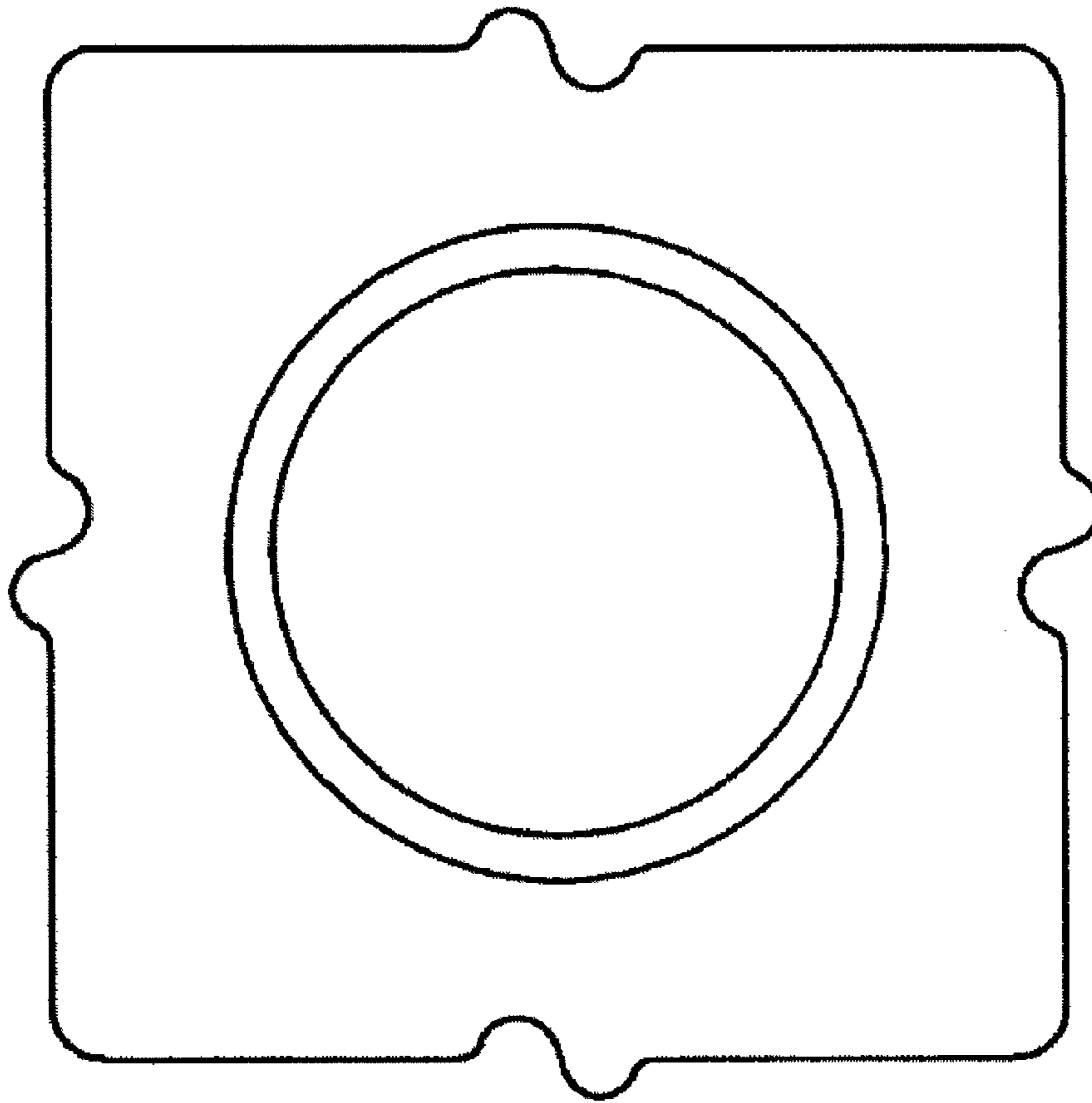


FIG. 6

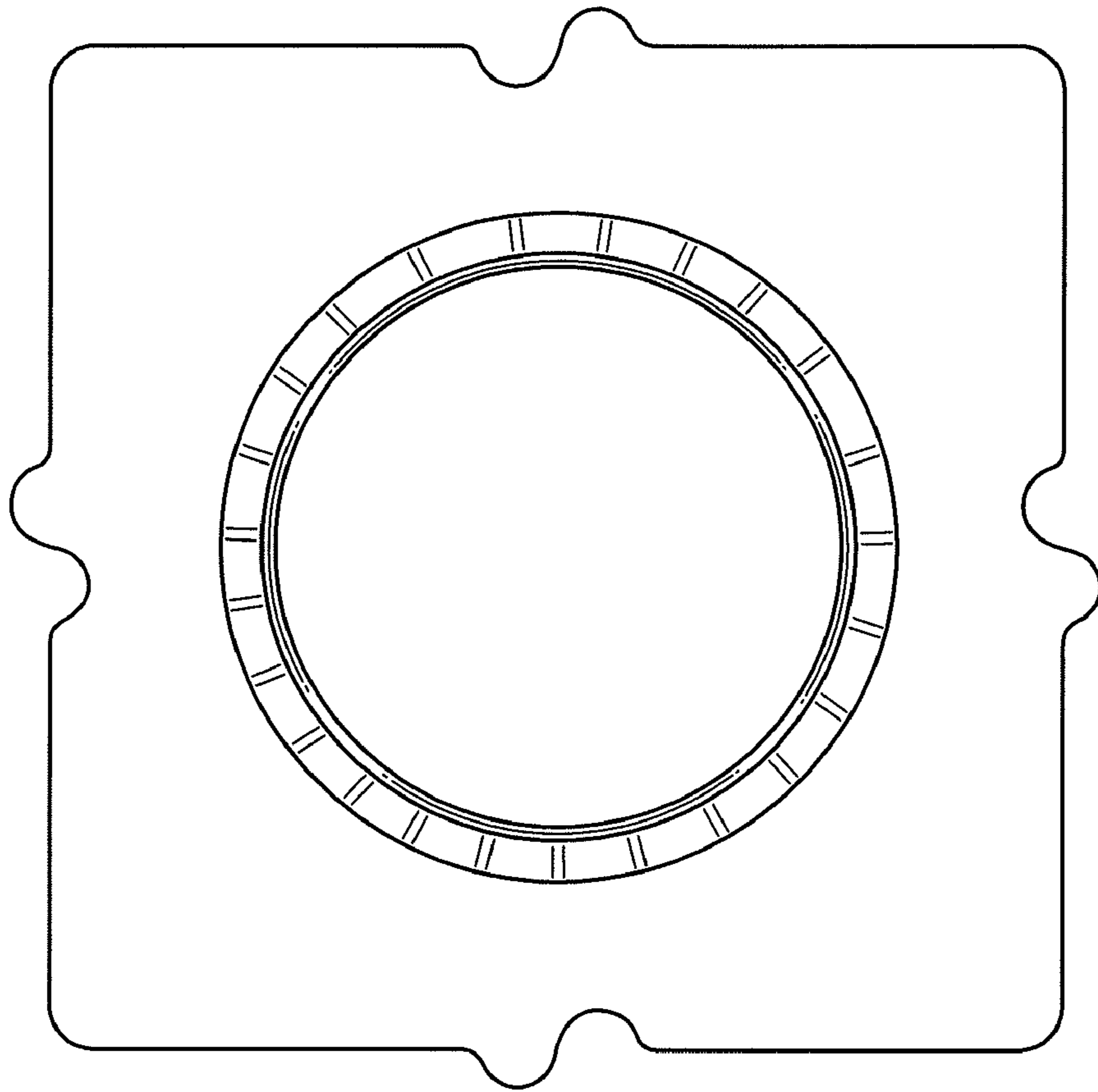


FIG. 7

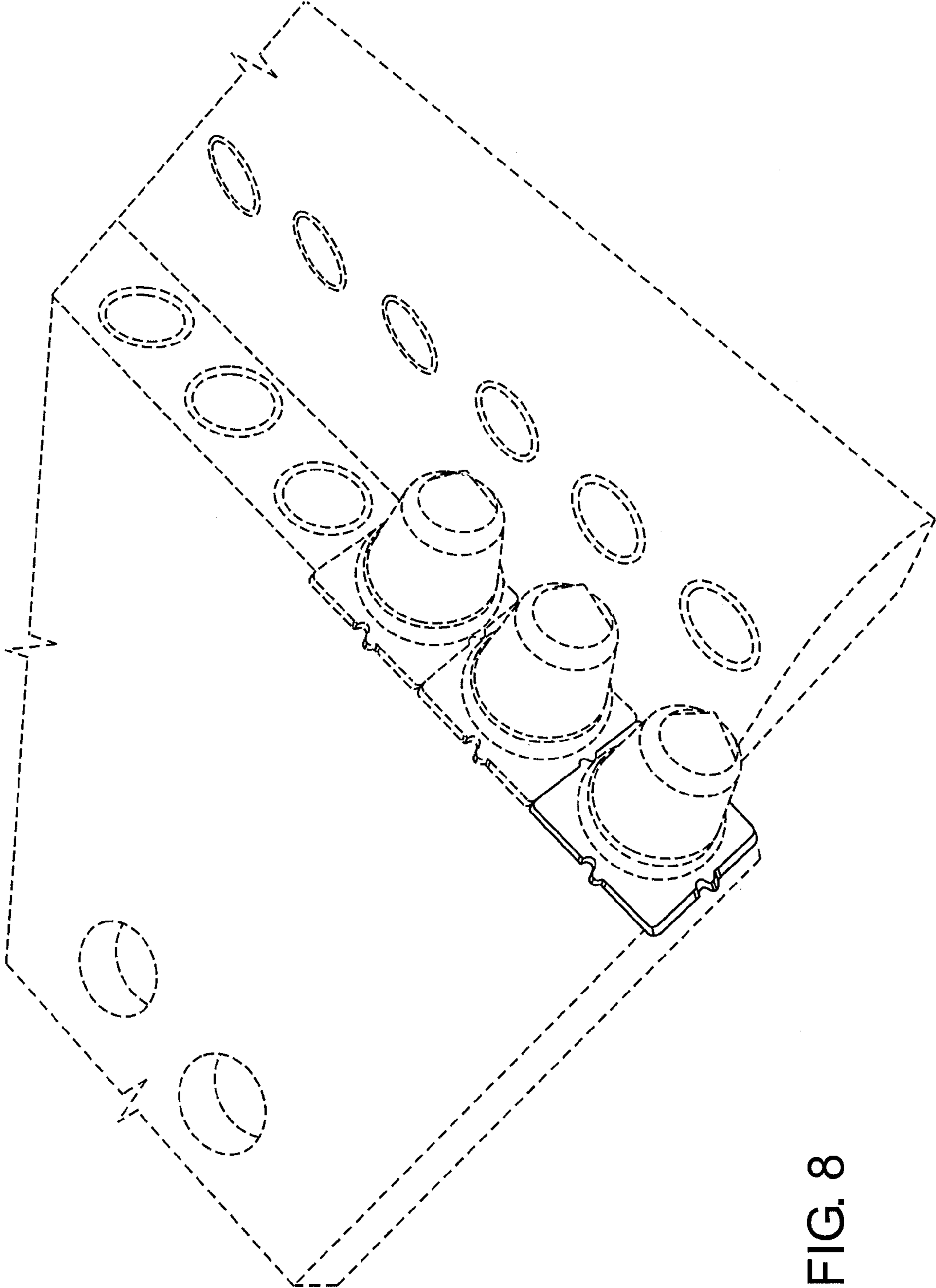


FIG. 8