



US00D654936S

(12) **United States Design Patent**
Oetlinger

(10) **Patent No.:** **US D654,936 S**

(45) **Date of Patent:** **** Feb. 28, 2012**

(54) **CORNER PIECE**

(75) Inventor: **Frank E. Oetlinger**, Grafton, WI (US)

(73) Assignee: **Blanking Systems, Inc.**, Grafton, WI (US)

(**) Term: **14 Years**

(21) Appl. No.: **29/354,580**

(22) Filed: **Jan. 26, 2010**

(51) **LOC (9) Cl.** **15-09**

(52) **U.S. Cl.** **D15/138**

(58) **Field of Classification Search** D8/349,
D8/354, 382, 400; D12/223; D15/138, 140;
83/103, 468.1, 468.2, 468.7, 698.41, 698.51,
83/698.61, 699.31, 701, 859; 225/97; 403/110,
403/374.3, 393, 402; 493/73, 76

See application file for complete search history.

(56) **References Cited**

U.S. PATENT DOCUMENTS

4,017,199	A *	4/1977	Strassle	403/264
D342,662	S *	12/1993	Lavin, Sr.	D8/354
5,337,641	A *	8/1994	Duginske	83/468
5,443,554	A *	8/1995	Robert	83/468.7
5,671,580	A *	9/1997	Chou	52/656.4
5,768,966	A *	6/1998	Duginske	83/468.7

5,845,555	A *	12/1998	Dawley	83/467.1
6,116,131	A *	9/2000	Fasske	83/456
6,722,811	B2	4/2004	Oetlinger	
D490,295	S *	5/2004	Neider et al.	D8/356
D628,539	S *	12/2010	Tezak et al.	D13/152

* cited by examiner

Primary Examiner — Patricia Palasik

(74) *Attorney, Agent, or Firm* — Boyle Fredrickson, S.C.

(57) **CLAIM**

The ornamental design for a corner piece, as shown and described.

DESCRIPTION

FIG. 1 is an isometric view of a corner piece in accordance with the present invention;

FIG. 2 is a front elevational view of the corner piece of FIG. 1;

FIG. 3 is a rear elevational view of the corner piece of FIG. 1;

FIG. 4 is a top plan view of the corner piece of FIG. 1;

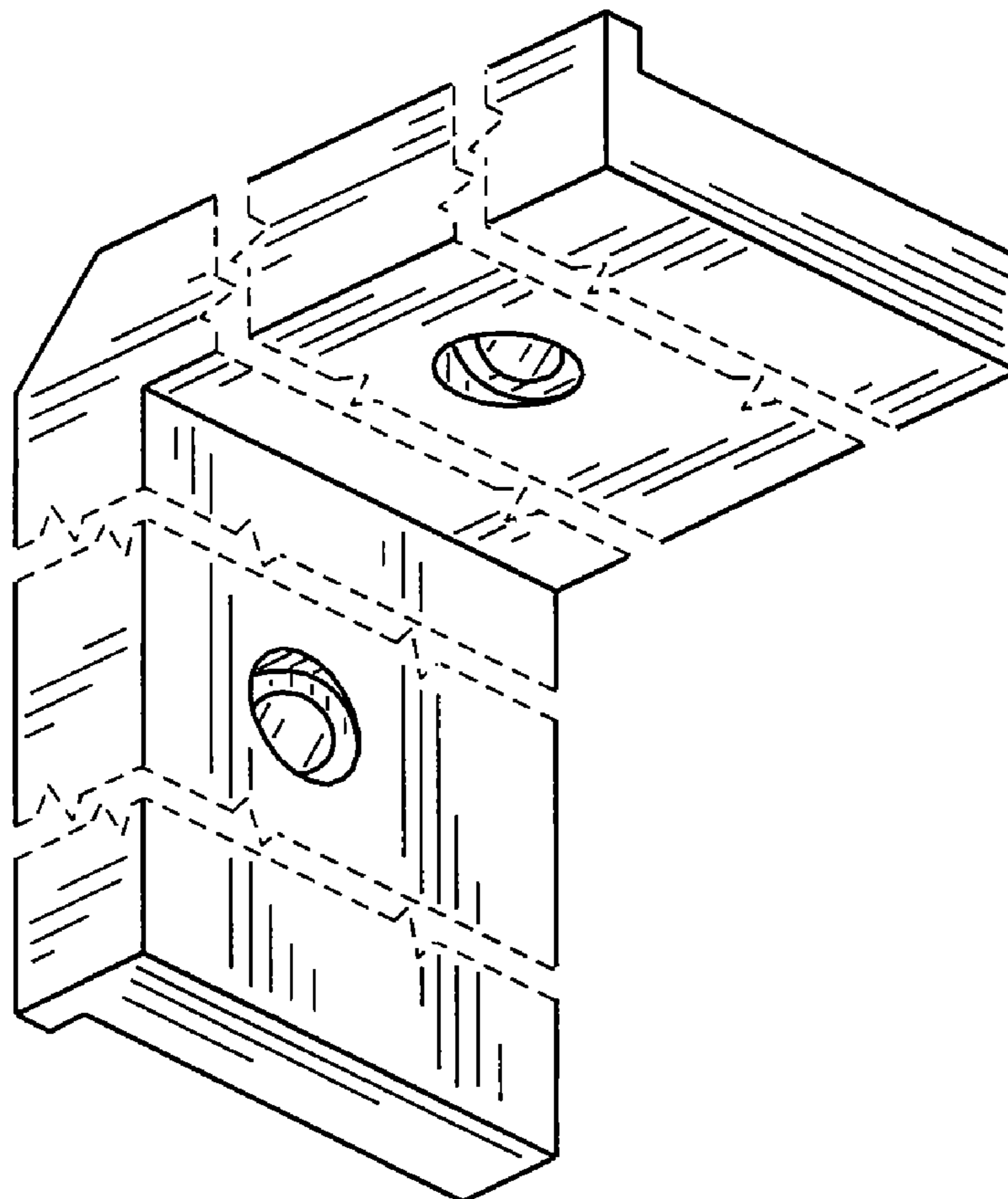
FIG. 5 is bottom plan view of the corner piece of FIG. 1.

FIG. 6 is a side elevational view of a first side of the corner piece of FIG. 1; and,

FIG. 7 is a side elevational view of a second side of the corner piece of FIG. 1.

The corner piece is shown broken away to indicate no specific length.

1 Claim, 2 Drawing Sheets



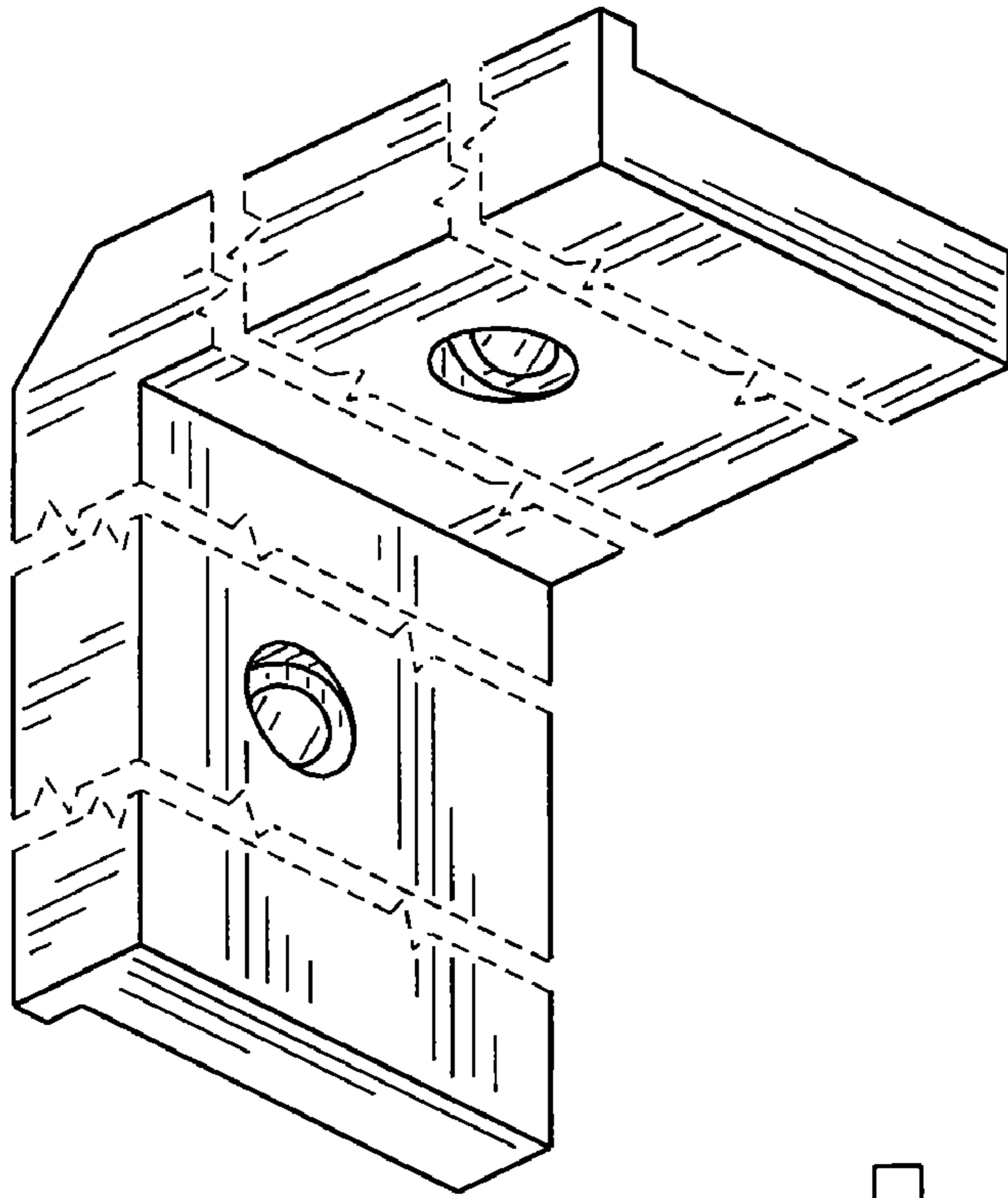


FIG. 1

FIG. 2

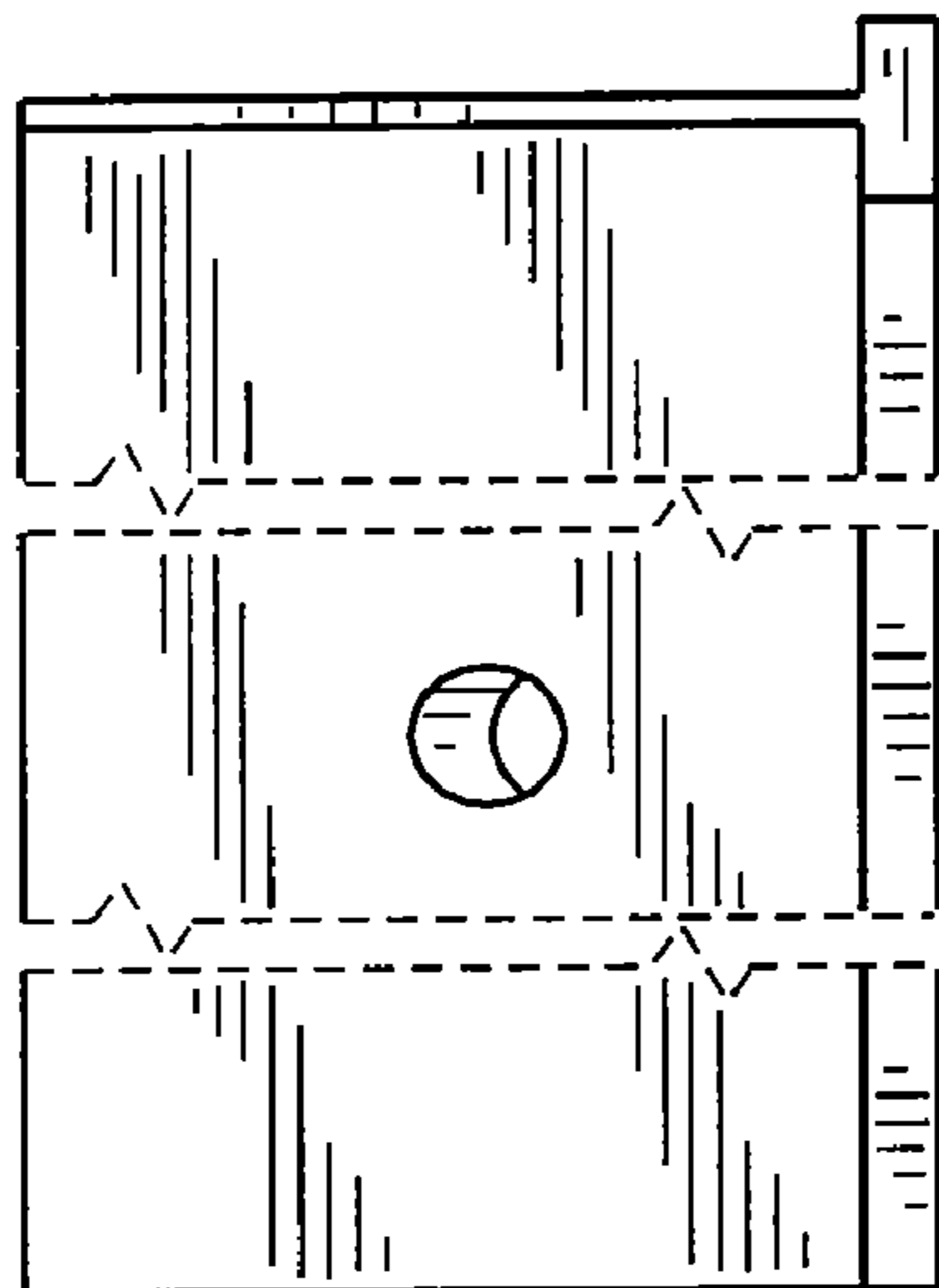
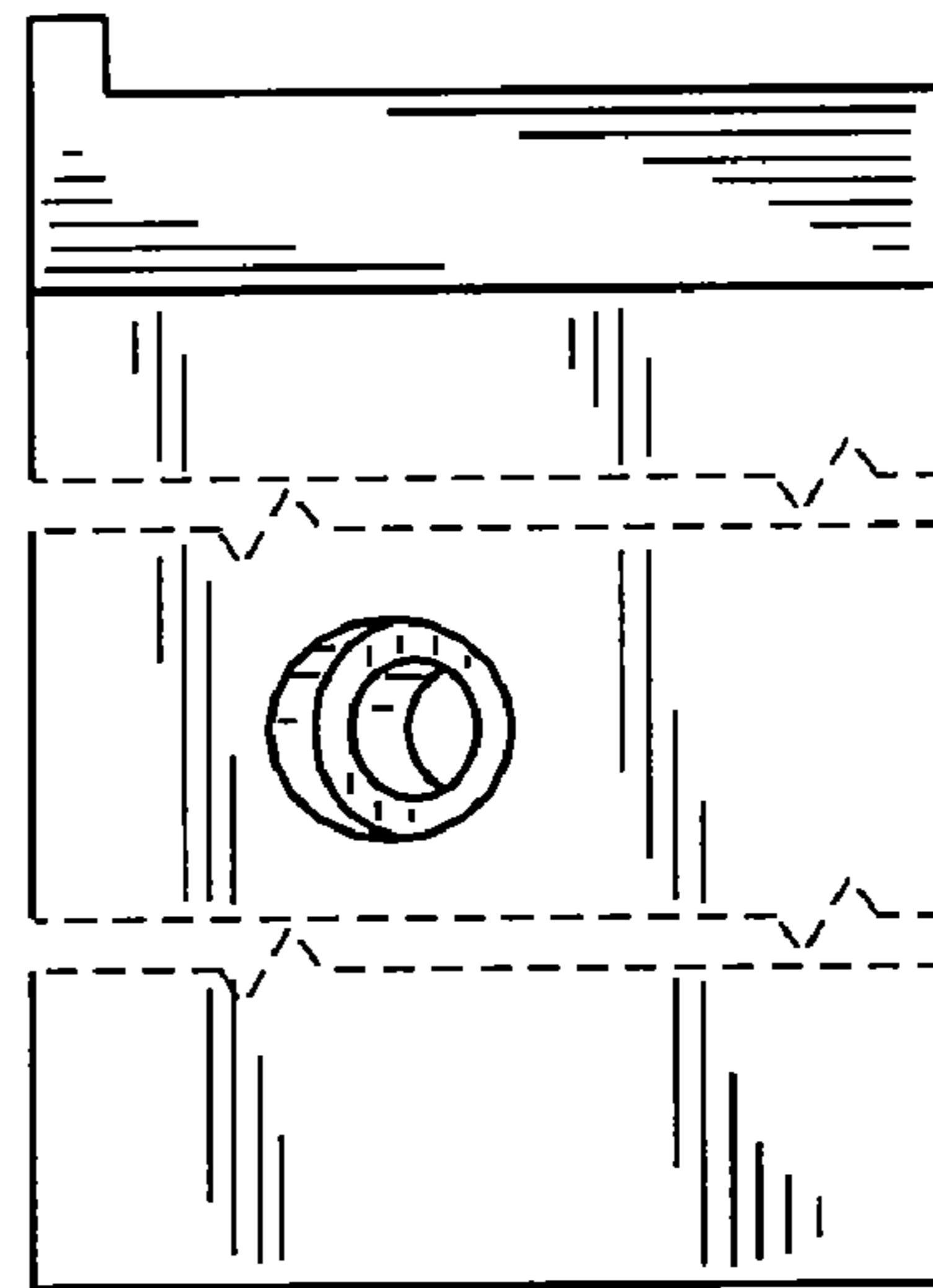


FIG. 3

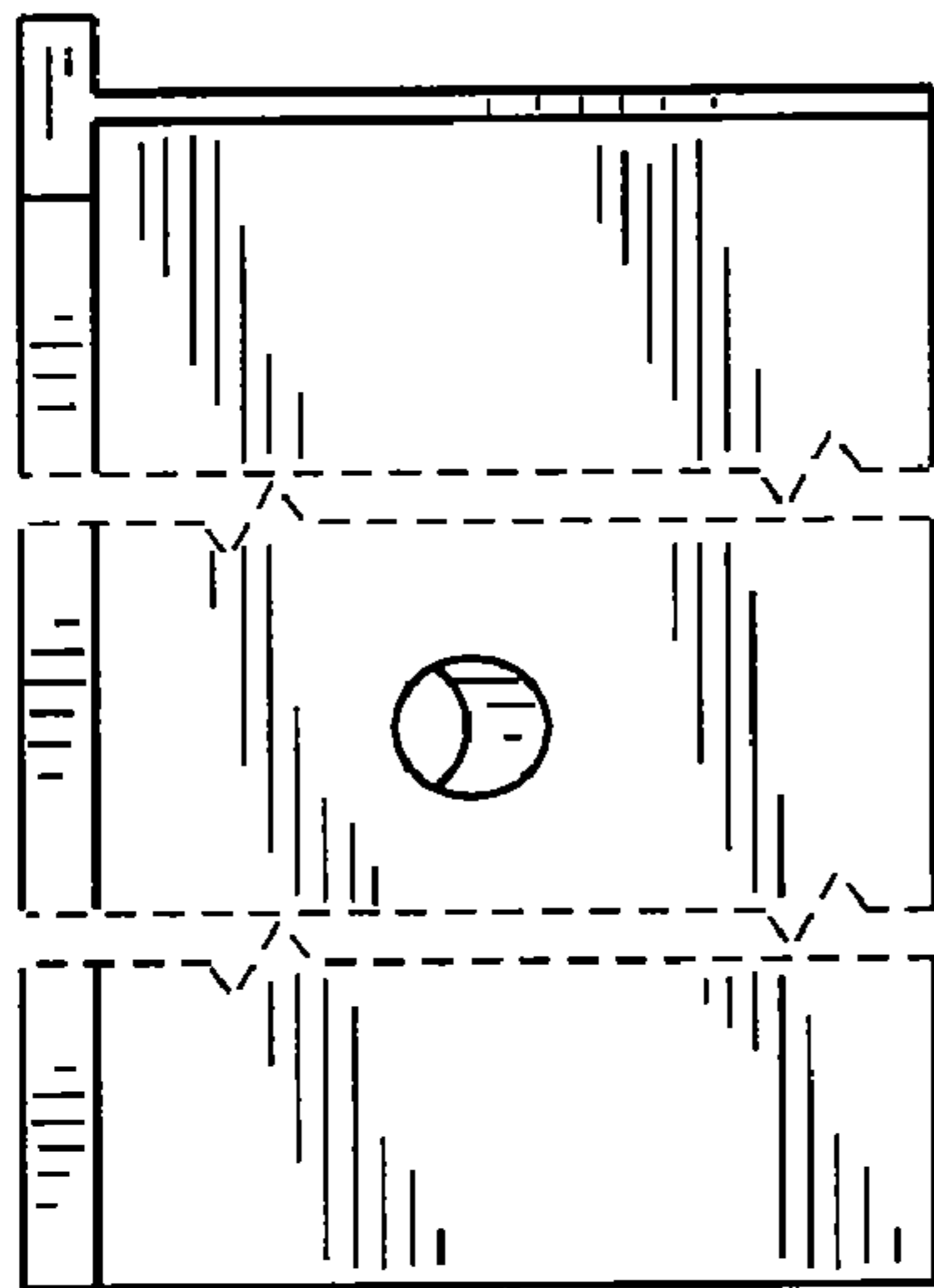


FIG. 4

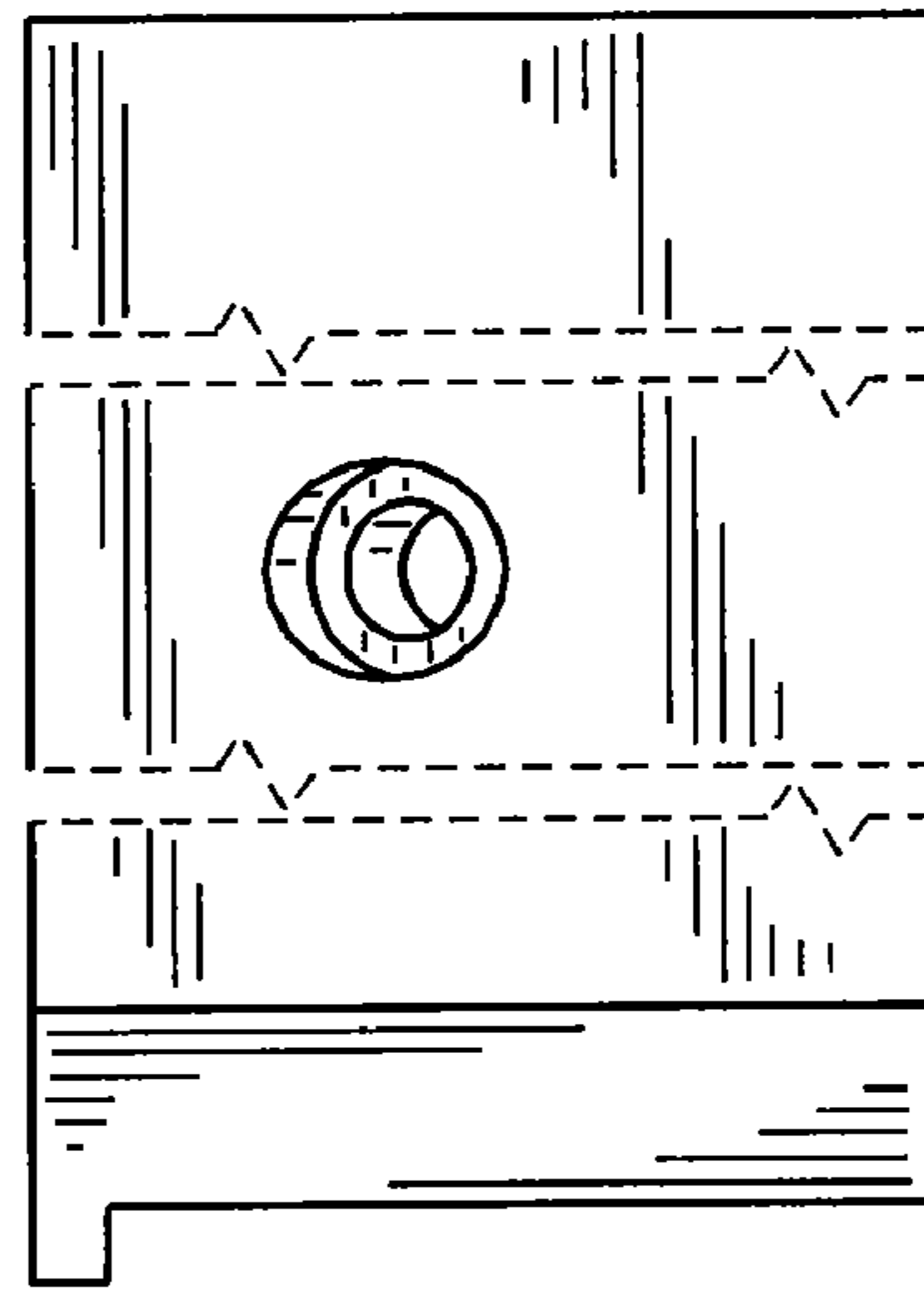


FIG. 5

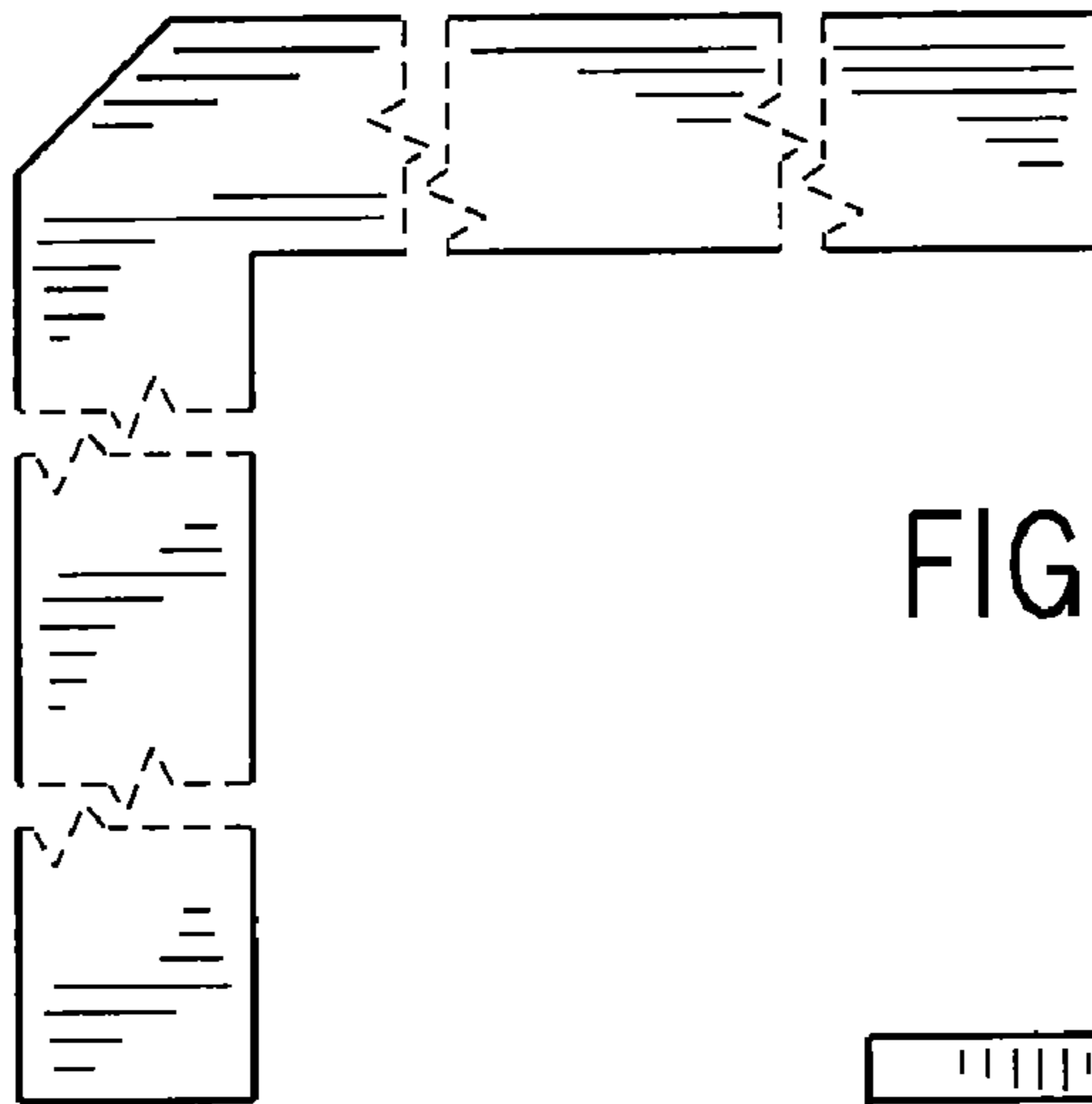


FIG. 6

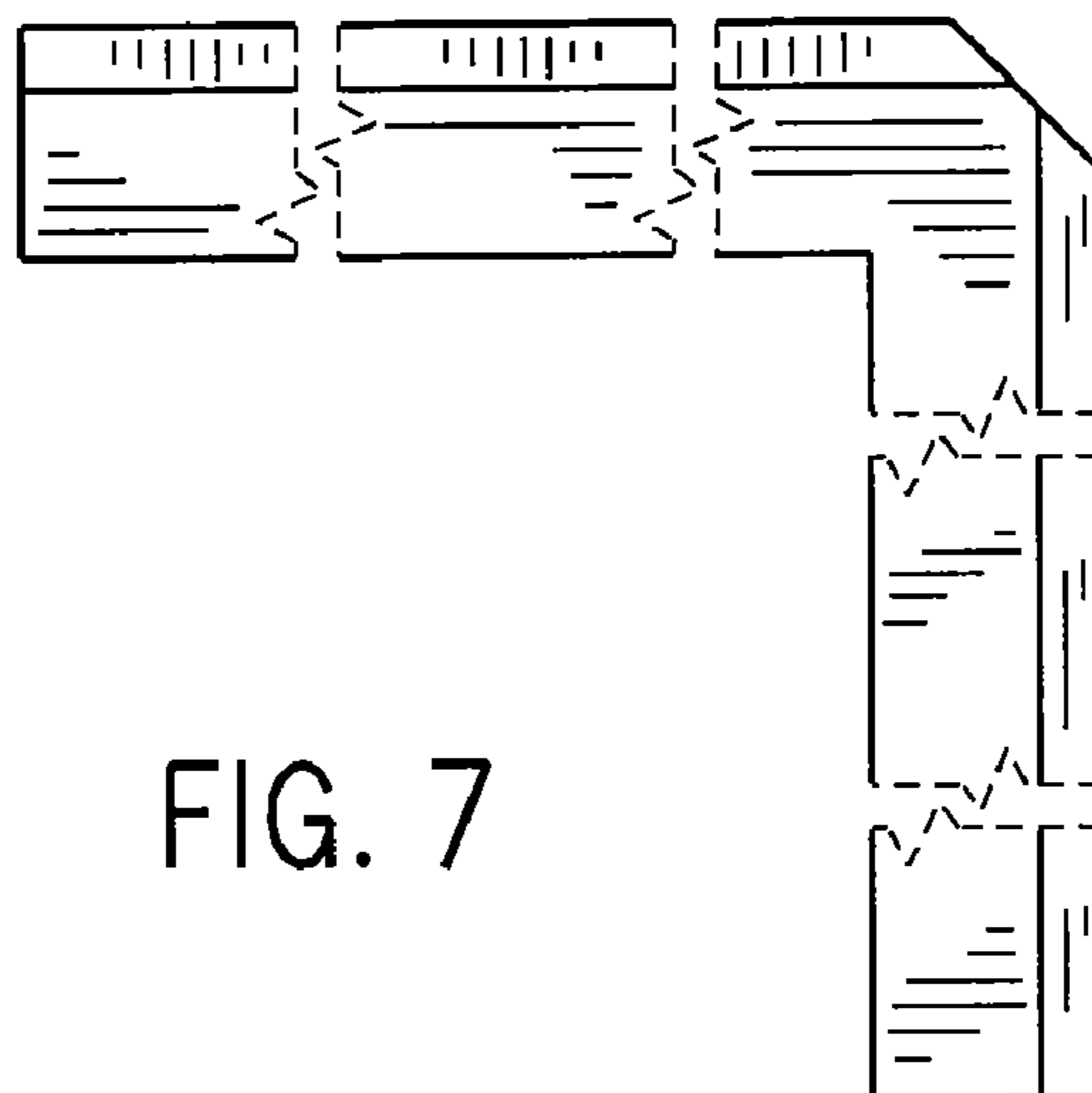


FIG. 7