



US00D654933S

(12) **United States Design Patent**  
**Yamanaka**

(10) **Patent No.:** **US D654,933 S**  
(45) **Date of Patent:** **\*\* Feb. 28, 2012**

(54) **VACUUM PUMP**

D467,254 S \* 12/2002 Ullrich ..... D15/9  
D488,820 S \* 4/2004 Rozek ..... D15/7  
D499,119 S \* 11/2004 Thomas et al. .... D15/9

(75) Inventor: **Akihiro Yamanaka**, Saito (JP)

(73) Assignee: **Ulvac Kiko, Inc.**, Miyazaki-ken (JP)

(\*\*) Term: **14 Years**

(21) Appl. No.: **29/376,406**

(22) Filed: **Oct. 6, 2010**

(30) **Foreign Application Priority Data**

Apr. 8, 2010 (JP) ..... 2010-008965

(51) **LOC (9) Cl.** ..... **15-02**

(52) **U.S. Cl.** ..... **D15/7**

(58) **Field of Classification Search** ..... D15/7-9;  
D23/231, 232, 225; 417/60, 235, 265, 321,  
417/355, 358, 363, 359, 410.1, 415-416,  
417/405, 900; 60/408, 412; 184/26-37;  
415/140-147; 123/495, 509

See application file for complete search history.

(56) **References Cited**

**U.S. PATENT DOCUMENTS**

D377,967 S \* 2/1997 Rozek et al. .... D23/235  
D379,996 S \* 6/1997 Leu et al. .... D15/9  
D382,883 S \* 8/1997 Breitzman et al. .... D15/9  
D405,455 S \* 2/1999 Leu et al. .... D15/9  
D412,174 S \* 7/1999 Faulkner et al. .... D15/9

**FOREIGN PATENT DOCUMENTS**

JP 1194557 1/2004

\* cited by examiner

*Primary Examiner* — Ralf Seifert

(74) *Attorney, Agent, or Firm* — Patterson Thuent  
Christensen Pedersen, P.A.

(57) **CLAIM**

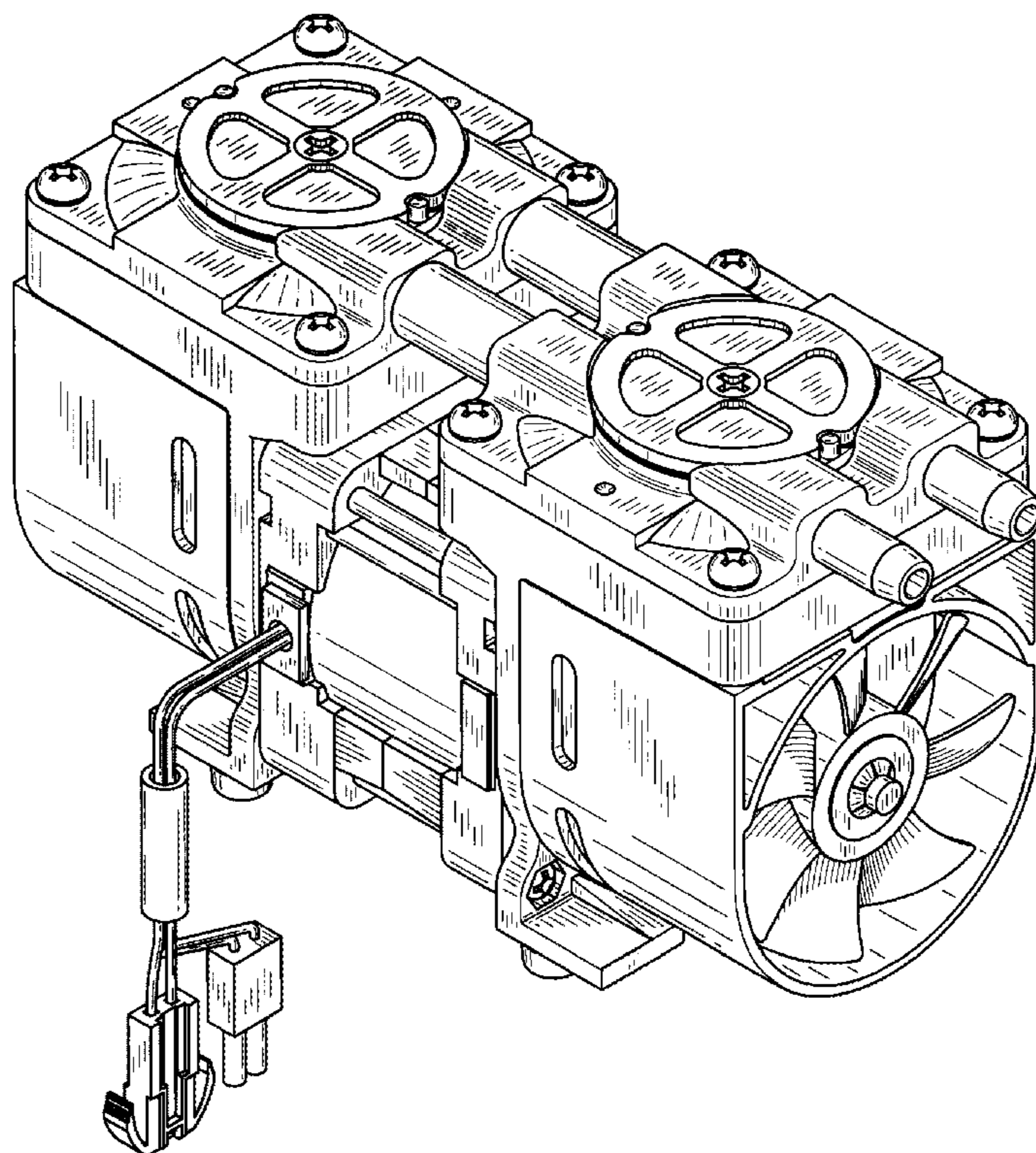
The ornamental design for a handle for a vacuum pump, as shown.

**DESCRIPTION**

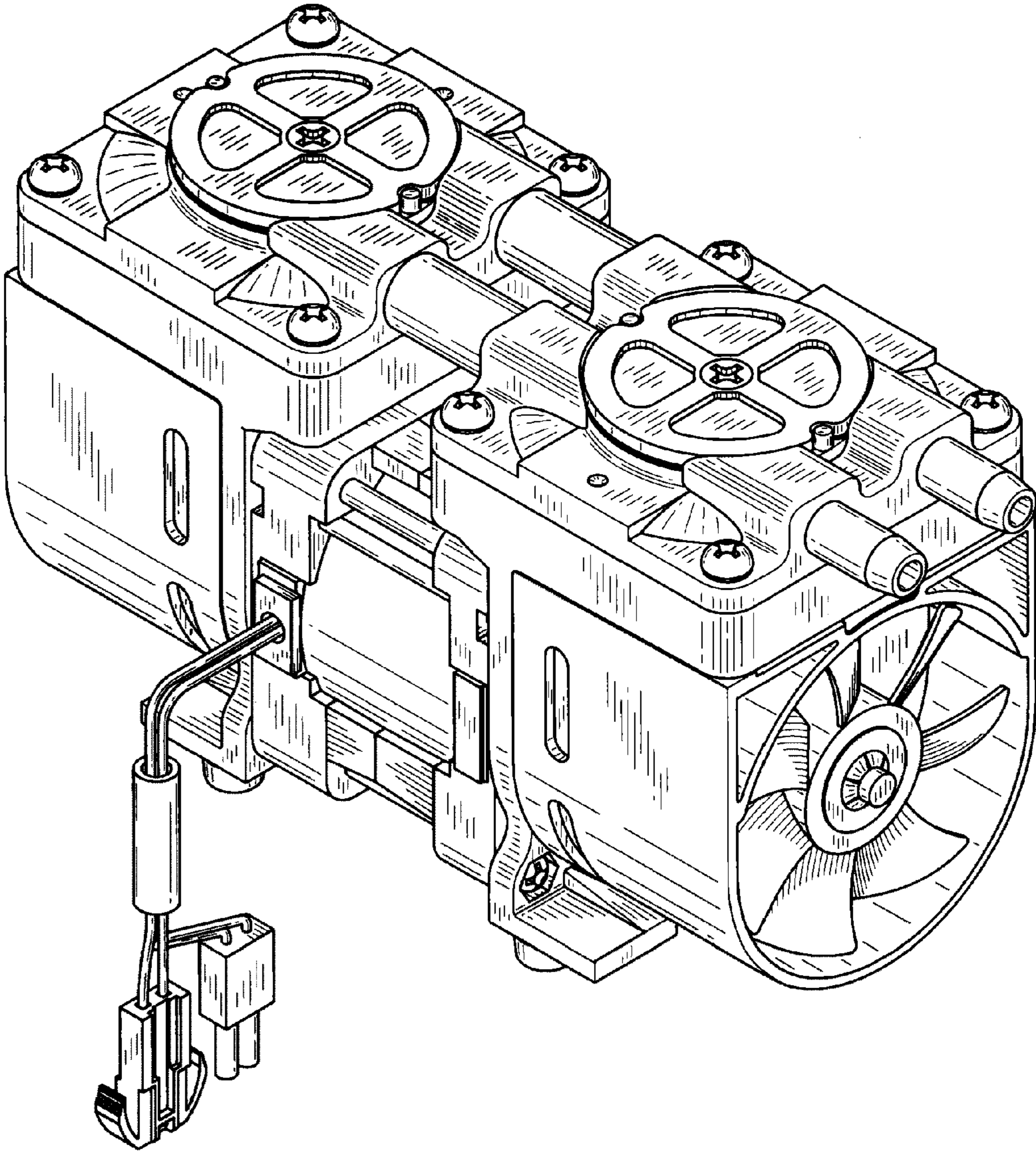
FIG. 1 is a front perspective view of a vacuum pump showing my new design;  
FIG. 2 is a front view thereof;  
FIG. 3 is a rear view thereof;  
FIG. 4 is a top plan view thereof;  
FIG. 5 is a bottom plan view thereof;  
FIG. 6 is a right side view thereof; and,  
FIG. 7 is a left side view thereof.

The broken lines in FIGS. 2, 3, 5, 6 and 7 are included for the purpose of illustrating portions of the vacuum pump that form no part of the claimed design.

**1 Claim, 7 Drawing Sheets**



**Fig. 1**



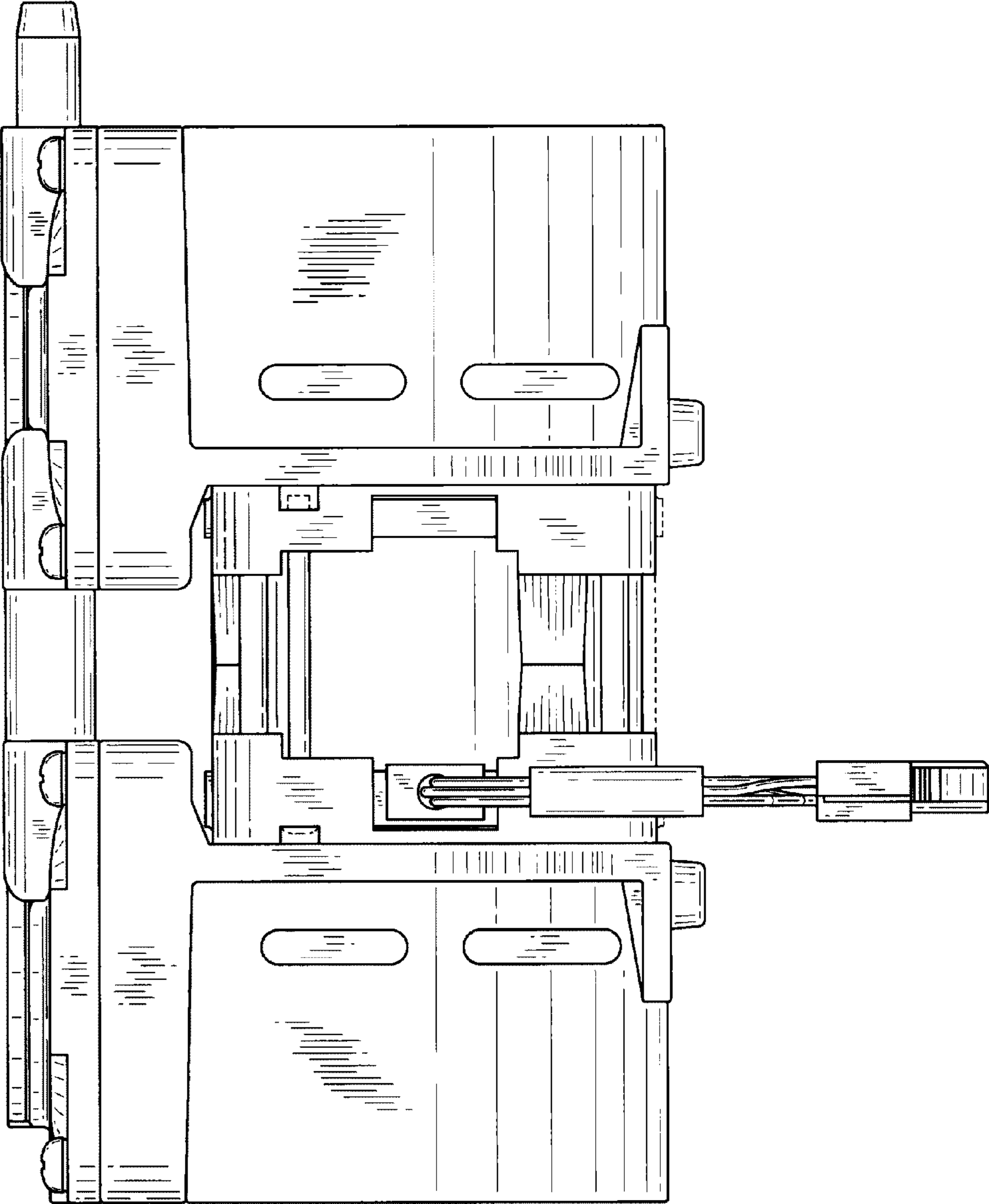


Fig. 2

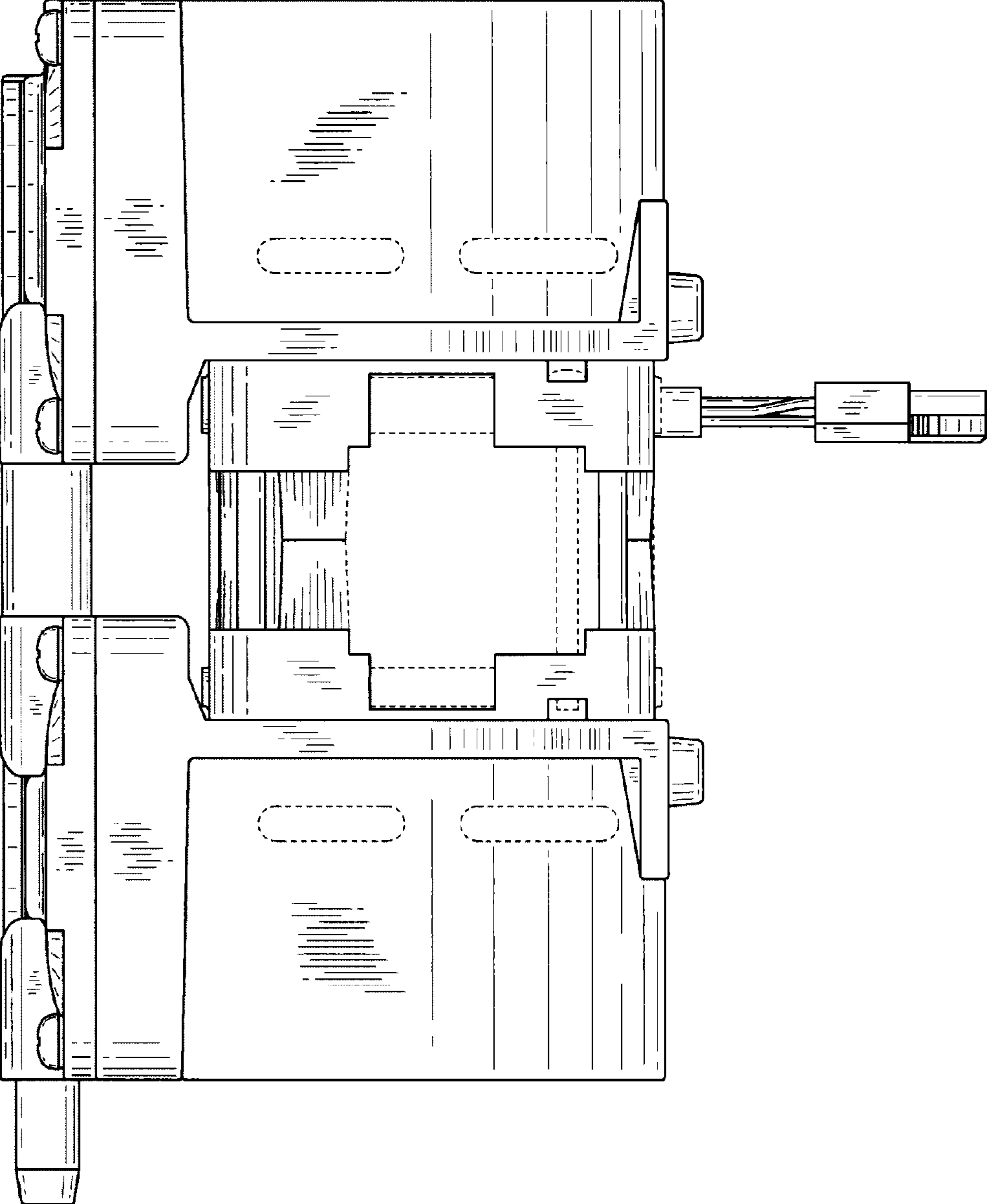


Fig. 3

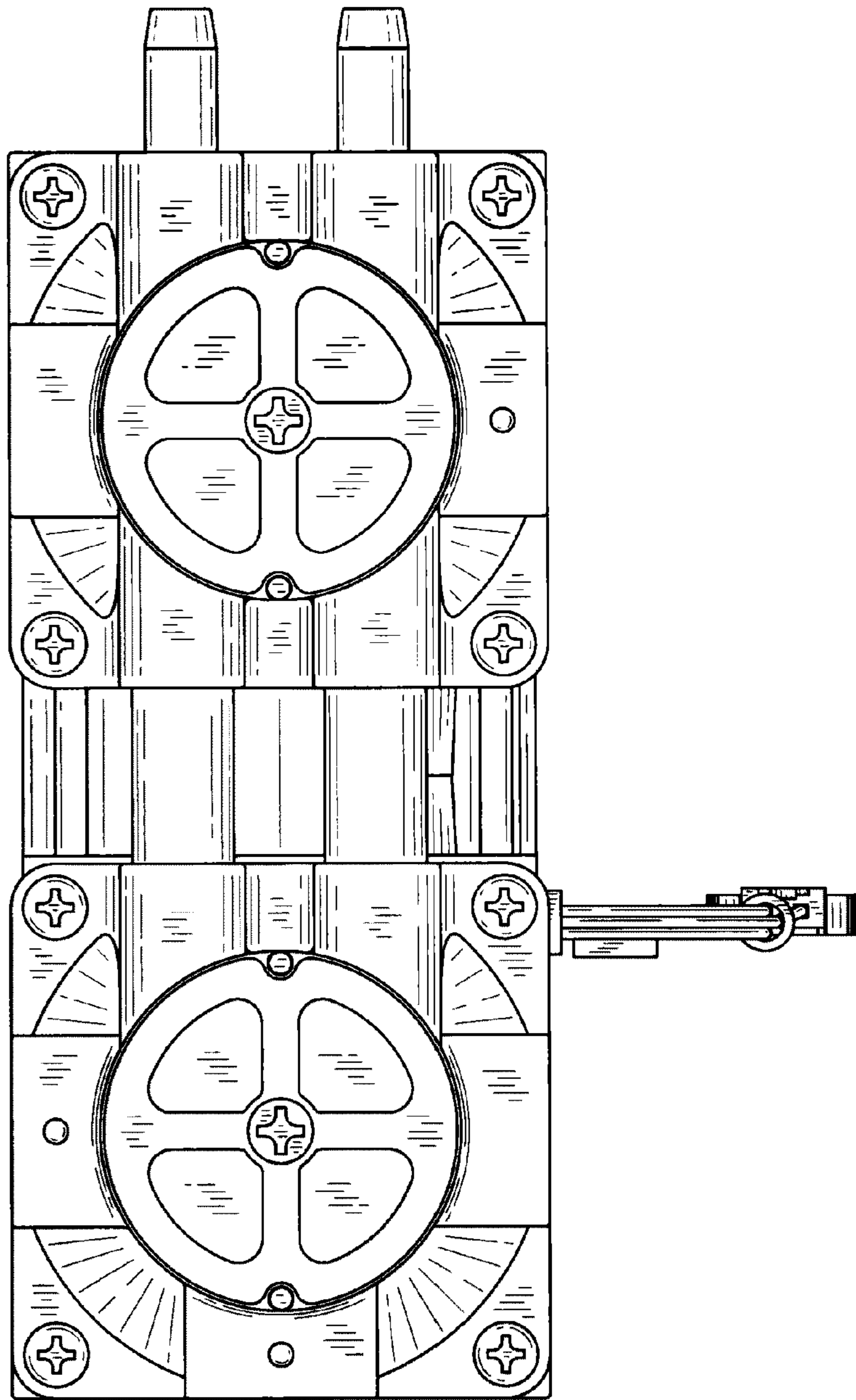


Fig. 4

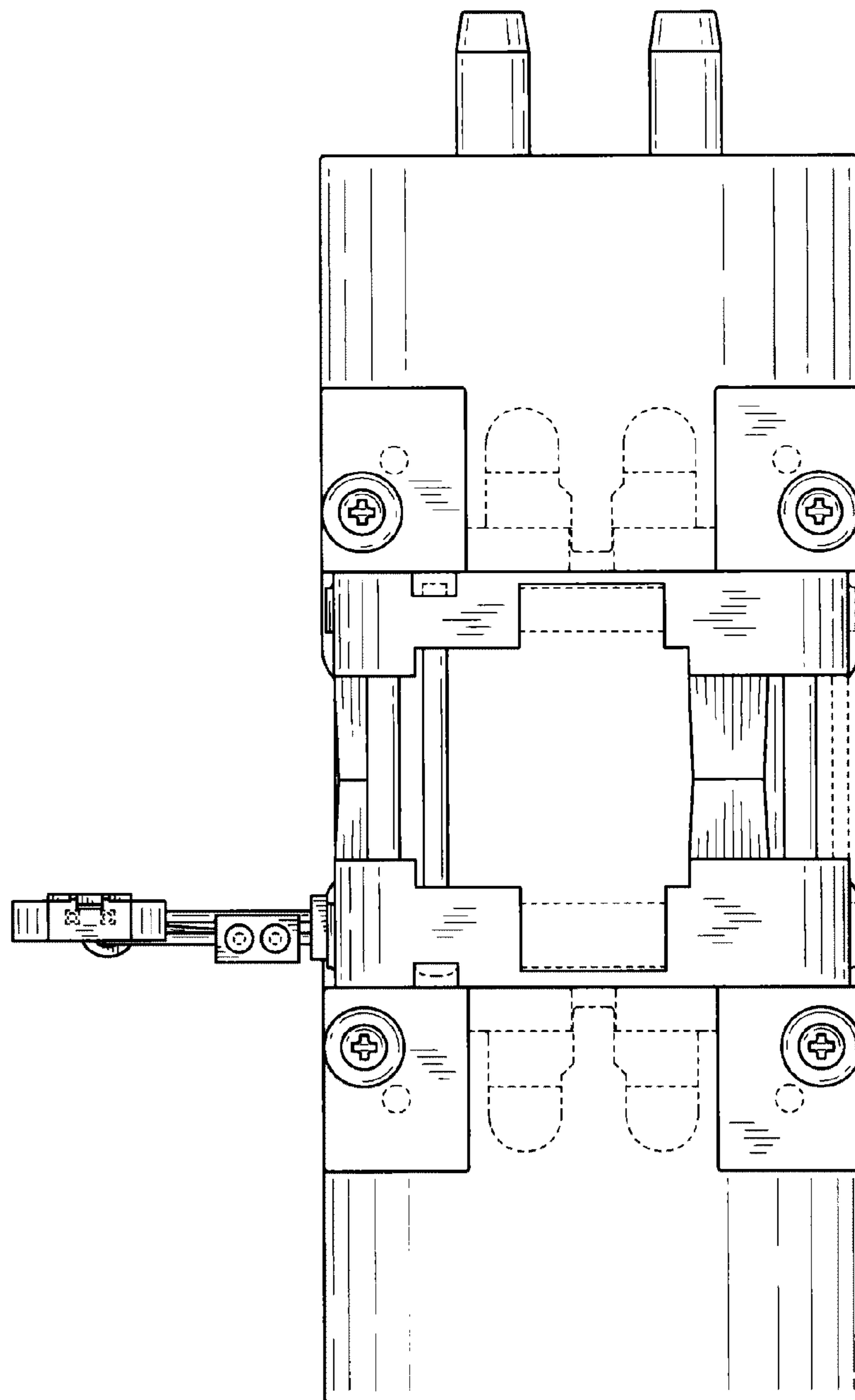
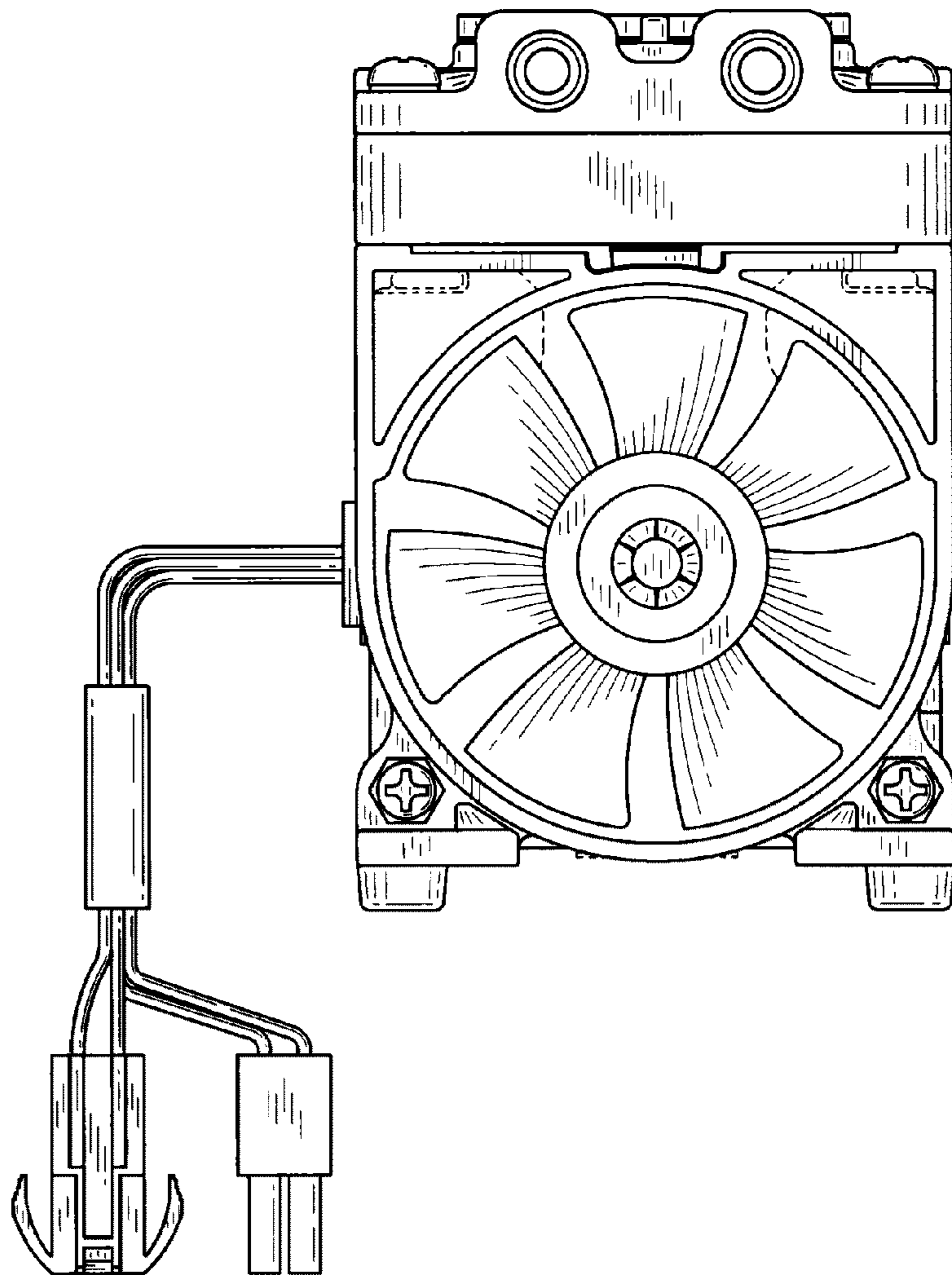


Fig. 5

**Fig. 6**



**Fig. 7**

