



US00D654920S

(12) **United States Design Patent**  
**Wang et al.**

(10) **Patent No.:** **US D654,920 S**  
(45) **Date of Patent:** **\*\* Feb. 28, 2012**

(54) **BOARD OF AN ELECTRONIC DEVICE**

(75) Inventors: **Chao-Tang Wang**, Taipei Hsien (TW);  
**Tsai-Yi Fang**, Taipei Hsien (TW);  
**Chih-Wei Ke**, Taipei Hsien (TW)

(73) Assignee: **Hon Hai Precision Industry Co., Ltd.**,  
Tu-Cheng, New Taipei (TW)

(\*\*) Term: **14 Years**

(21) Appl. No.: **29/353,030**

(22) Filed: **Dec. 31, 2009**

(30) **Foreign Application Priority Data**

Dec. 30, 2009 (CN) ..... 2009 3 0331943

(51) **LOC (9) Cl.** ..... **14-02**

(52) **U.S. Cl.** ..... **D14/441**; D23/370

(58) **Field of Classification Search** ..... D23/314,  
D23/316, 323, 328, 370, 382; D14/300–302,  
D14/308–312, 349–356, 441–446; 361/679.01,  
361/679.6, 679.22, 700–703; 415/98, 102,  
415/205, 206; 416/175; 165/104.26; D13/162,  
D13/184, 199; 312/223.1–223.2; 360/99.01–99.12;  
369/34.01, 36.01

See application file for complete search history.

(56) **References Cited**

**U.S. PATENT DOCUMENTS**

D268,283 S \* 3/1983 Hicks ..... D23/370  
D296,585 S \* 7/1988 Dodson ..... D23/370  
6,168,396 B1 \* 1/2001 Homola ..... 417/423.14  
6,296,333 B1 \* 10/2001 Lee et al. .... 312/223.2

D497,615 S \* 10/2004 Kim ..... D14/349  
D511,824 S \* 11/2005 Chen et al. .... D23/370  
D565,166 S \* 3/2008 Calkins ..... D23/370  
7,518,869 B2 \* 4/2009 Toyoda ..... 361/700  
D600,338 S \* 9/2009 Chung ..... D23/370  
2006/0158850 A1 \* 7/2006 Lee et al. .... 361/700  
2007/0097640 A1 \* 5/2007 He ..... 361/699  
2008/0087404 A1 \* 4/2008 Hsieh et al. .... 165/104.26

**OTHER PUBLICATIONS**

“PC DIY”; Nov. 2009; p. 55; ISSN: 1024-1074; “Flag Information Co., Ltd”; Chinese Taipei Note: It is an advertising page shown in the magazine “PC DIY”.

\* cited by examiner

*Primary Examiner* — Freda S Nunn

(74) *Attorney, Agent, or Firm* — Altis Law Group, Inc.

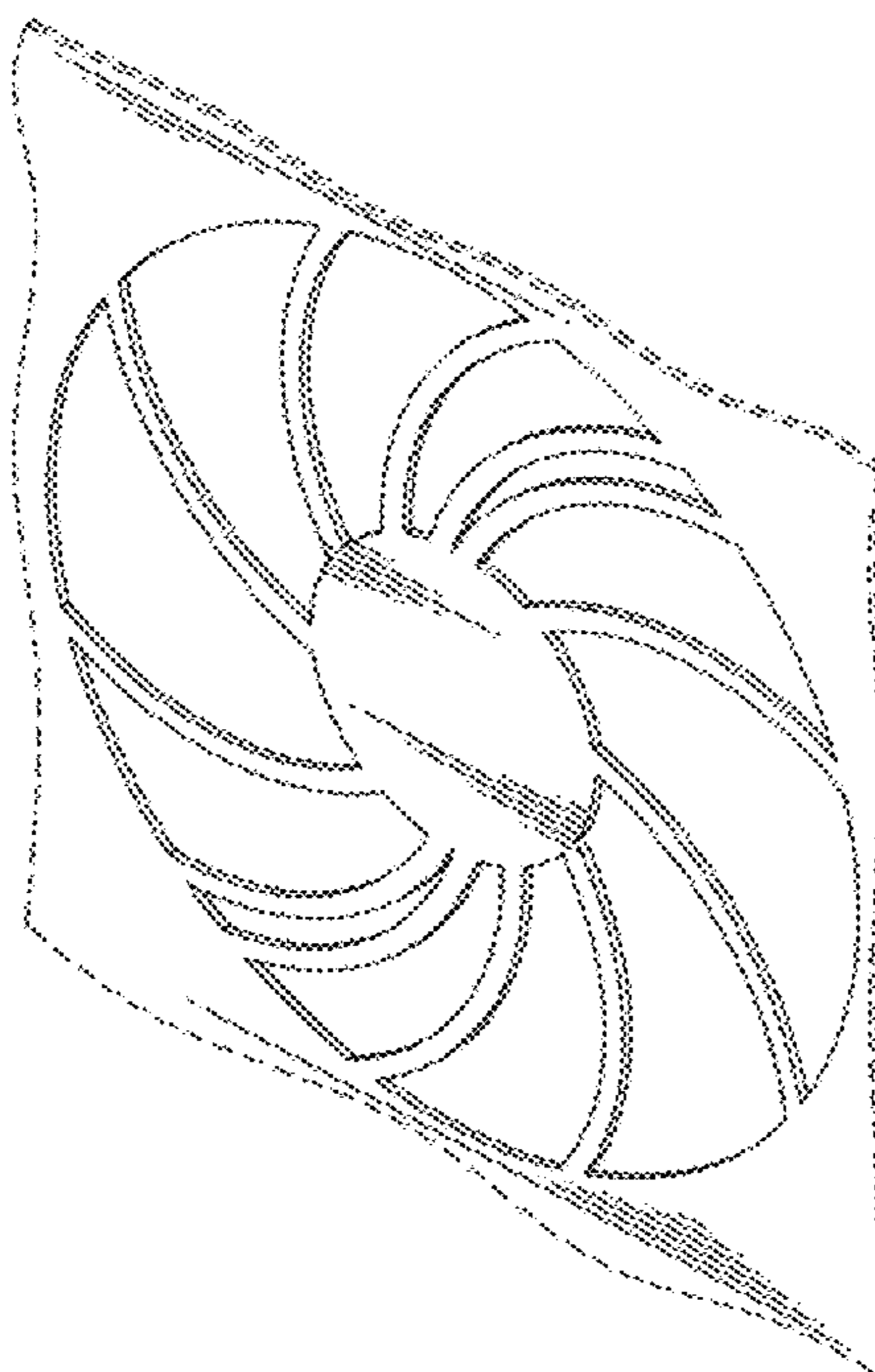
(57) **CLAIM**

The ornamental design for a board of an electronic device, as shown and described.

**DESCRIPTION**

FIG. 1 is a perspective view of a board of an electronic device defining the vent holes of the board of our design; FIG. 2 is a front elevational view thereof; and, FIG. 3 is a perspective view thereof shown together with a fan. The broken line immediately adjacent to the shaded area represents an unclaimed boundary of the design. The broken lines showing the remainder of the board and the fan are for illustrative purposes only and form no part of the claimed design.

**1 Claim, 3 Drawing Sheets**



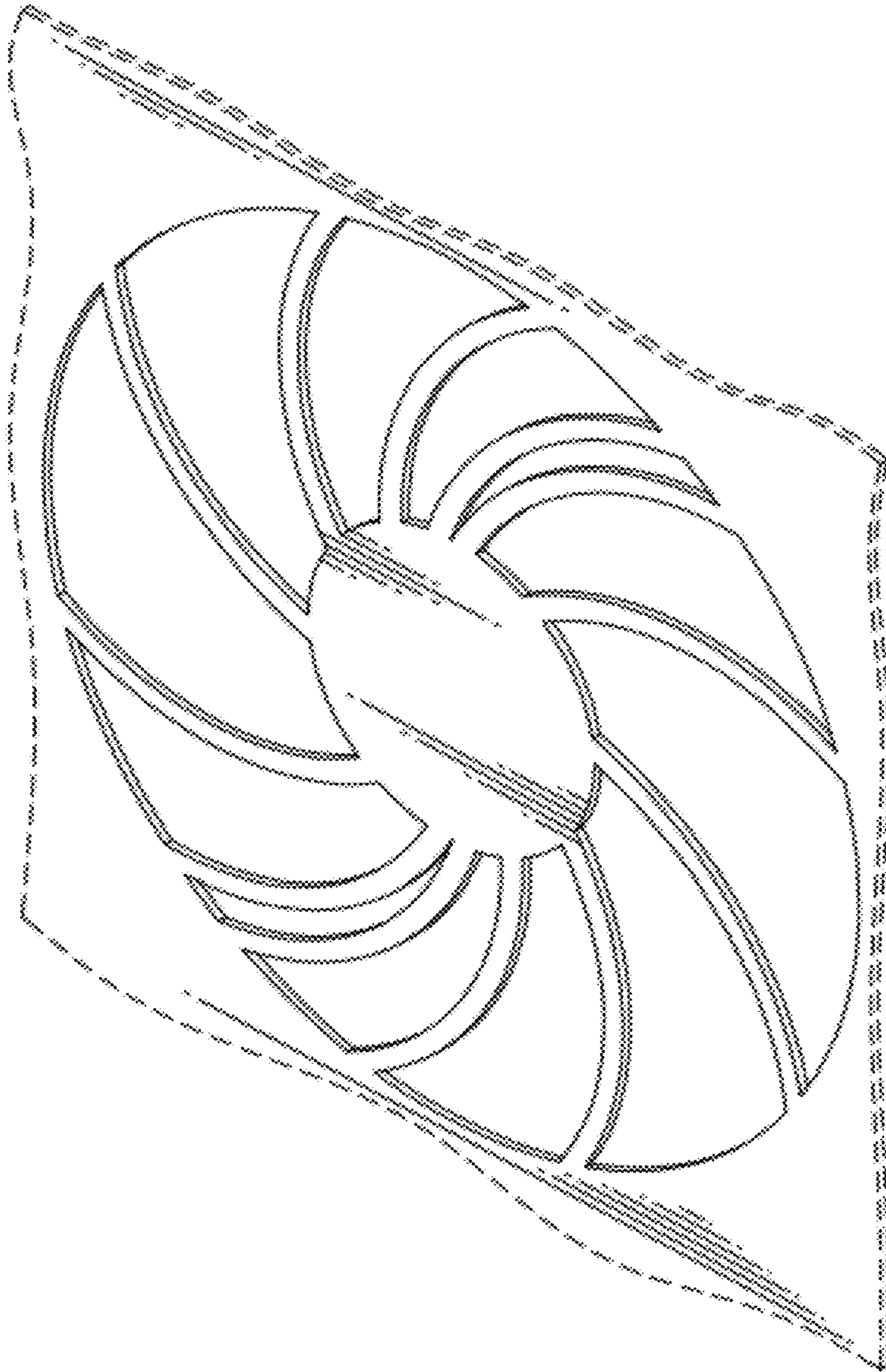


FIG. 1

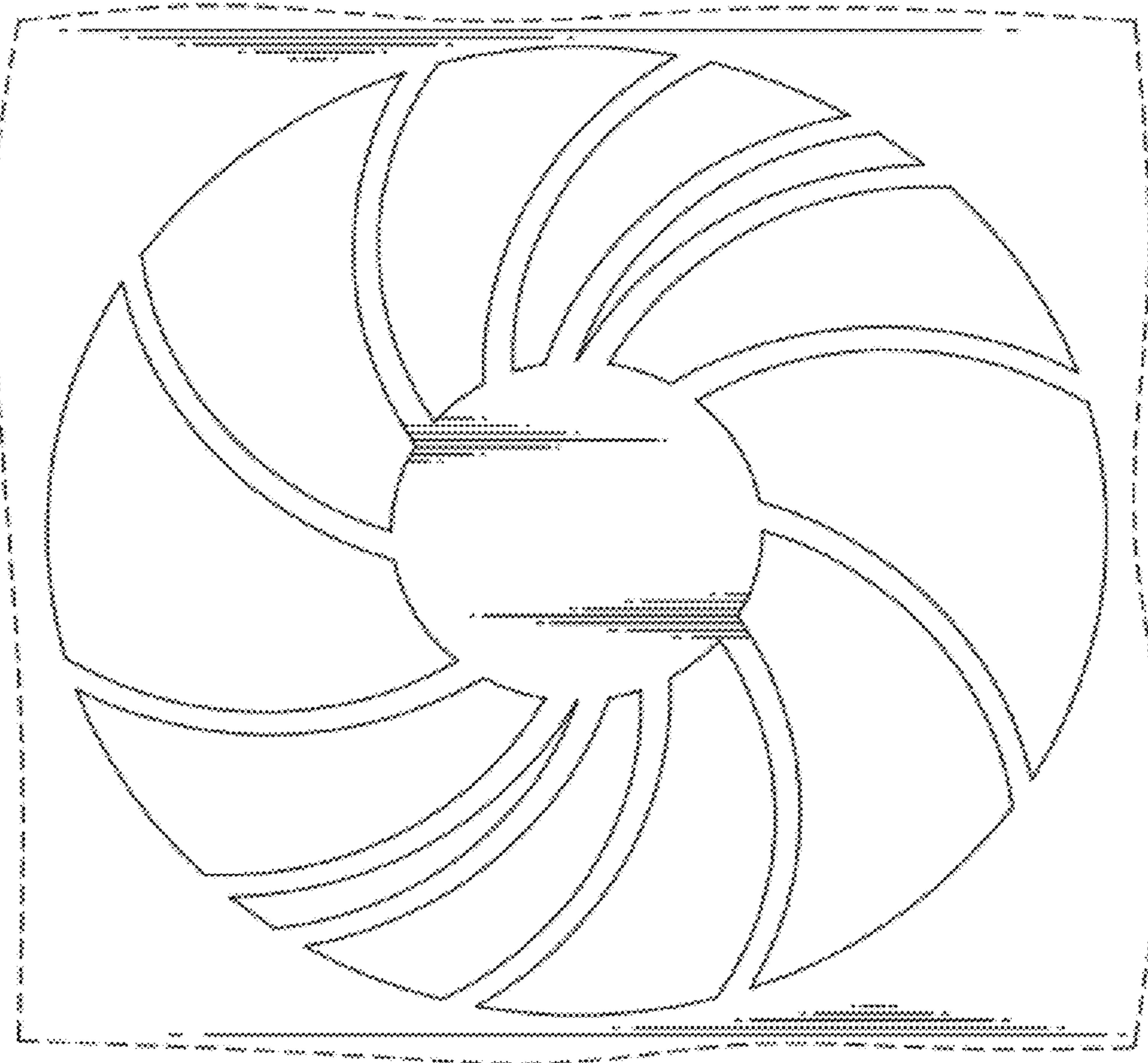


FIG. 2

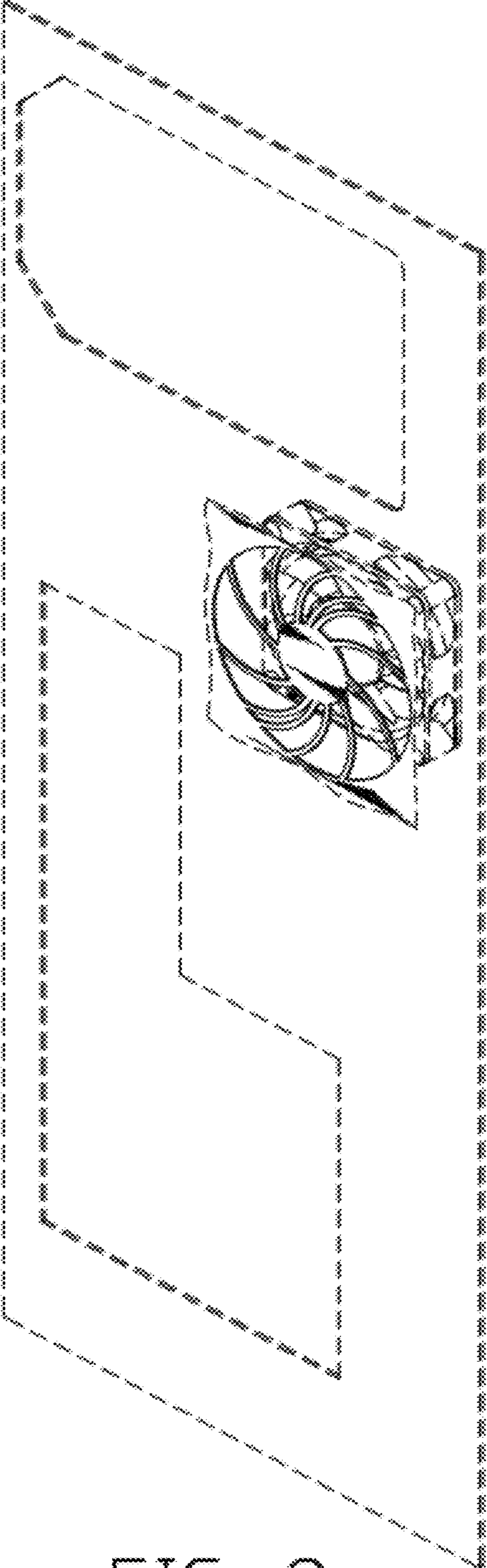


FIG. 3