



US00D654919S

(12) **United States Design Patent**
Cheng

(10) **Patent No.:** **US D654,919 S**

(45) **Date of Patent:** **** Feb. 28, 2012**

(54) **MOUSE**

(75) Inventor: **Jung-Ching Cheng**, New Taipei (TW)

(73) Assignee: **Cheng Uei Precision Industry Co., Ltd.**, New Taipei (TW)

(**) Term: **14 Years**

(21) Appl. No.: **29/398,543**

(22) Filed: **Aug. 1, 2011**

(51) **LOC (9) Cl.** **14-02**

(52) **U.S. Cl.** **D14/409**

(58) **Field of Classification Search** D14/402-411,
D14/356, 388, 389, 383-385, 417, 426;
345/156-167; 463/36-38; 358/471, 473;
273/148 B

See application file for complete search history.

(56) **References Cited**

U.S. PATENT DOCUMENTS

D284,284 S *	6/1986	Manock et al.	D14/407
D340,923 S *	11/1993	Tso	D14/407
D340,924 S *	11/1993	Tso	D14/407
D373,122 S *	8/1996	Lo	D14/409
D380,463 S *	7/1997	Wu	D14/407
D418,501 S *	1/2000	Neifer	D14/409

D440,971 S *	4/2001	Gombert	D14/402
D460,071 S *	7/2002	Sheehan et al.	D14/402
D483,764 S *	12/2003	Masamitsu et al.	D14/407
D484,882 S *	1/2004	Wu	D14/407
D545,822 S *	7/2007	Murakami	D14/407
D575,286 S *	8/2008	Wu	D14/409

* cited by examiner

Primary Examiner — Austin Murphy

(74) *Attorney, Agent, or Firm* — Cheng-Ju Chiang

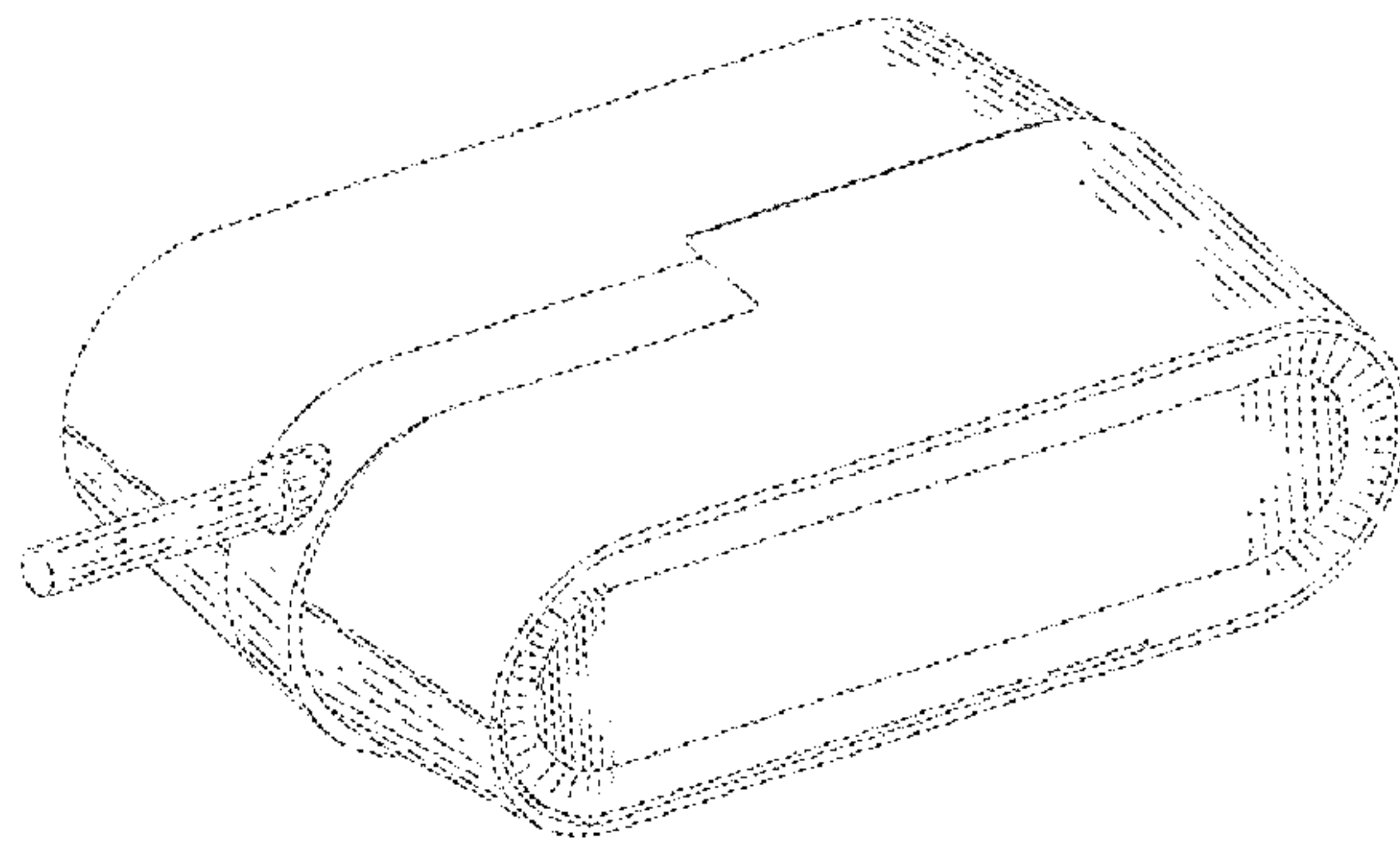
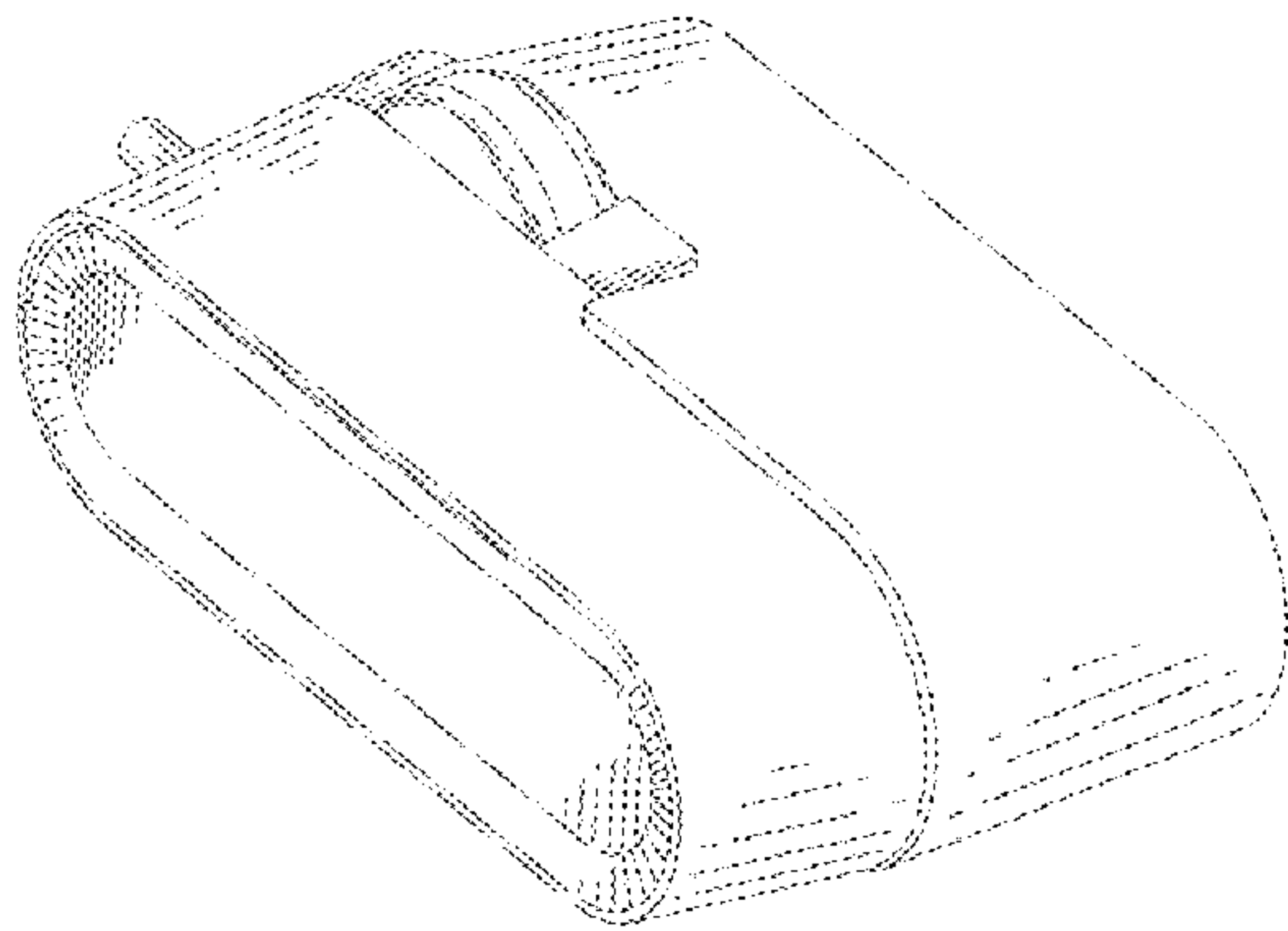
(57) **CLAIM**

The ornamental design for a mouse, as shown and described.

DESCRIPTION

FIG. 1 is a perspective view of a mouse showing my new design;
FIG. 2 is a front elevational view thereof;
FIG. 3 is a rear elevational view thereof;
FIG. 4 is a left side elevational view thereof;
FIG. 5 is a right side elevational view thereof;
FIG. 6 is a top plan view thereof;
FIG. 7 is a bottom plan view thereof; and,
FIG. 8 is another perspective view of the mouse showing my new design.

1 Claim, 8 Drawing Sheets



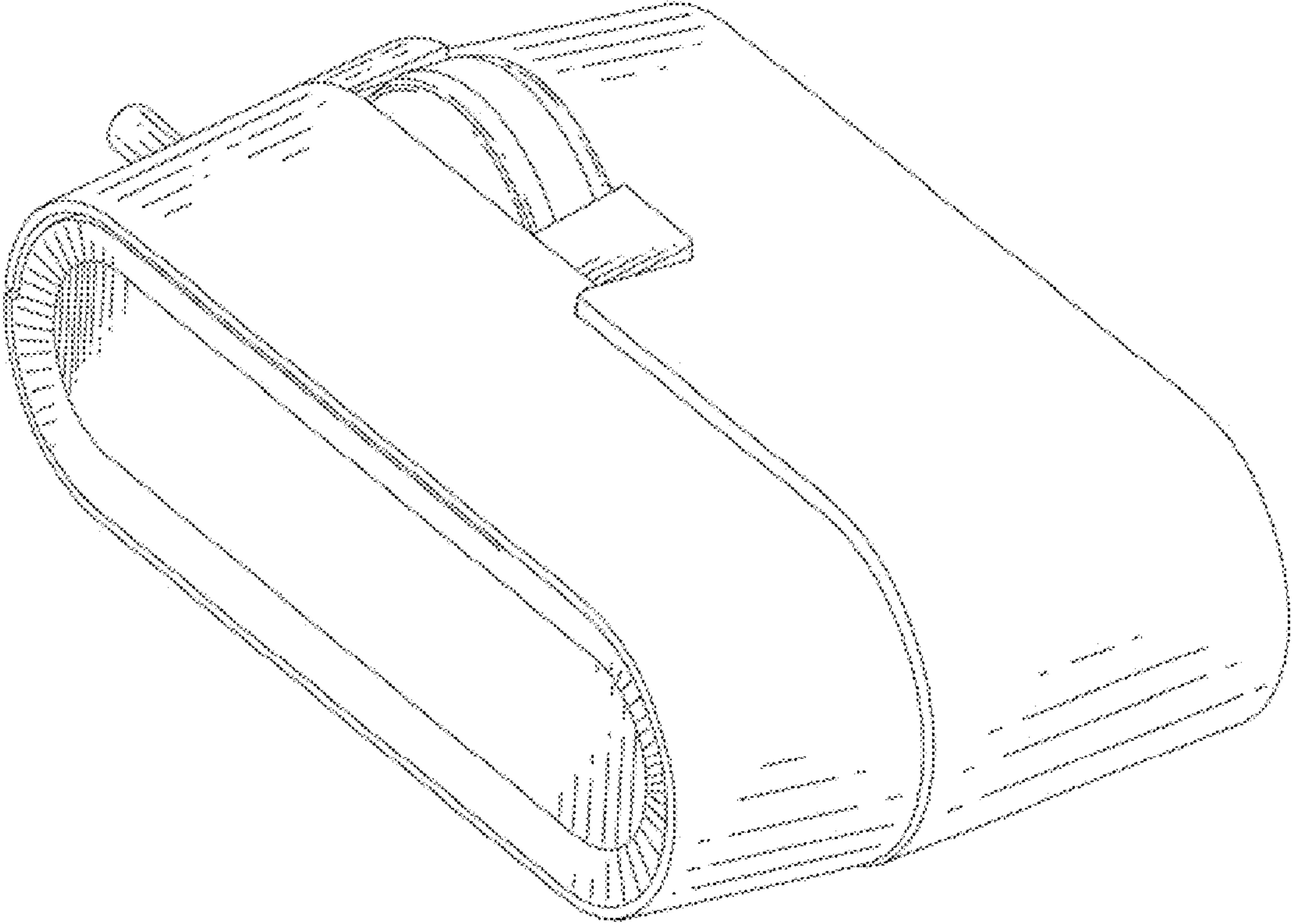


FIG. 1

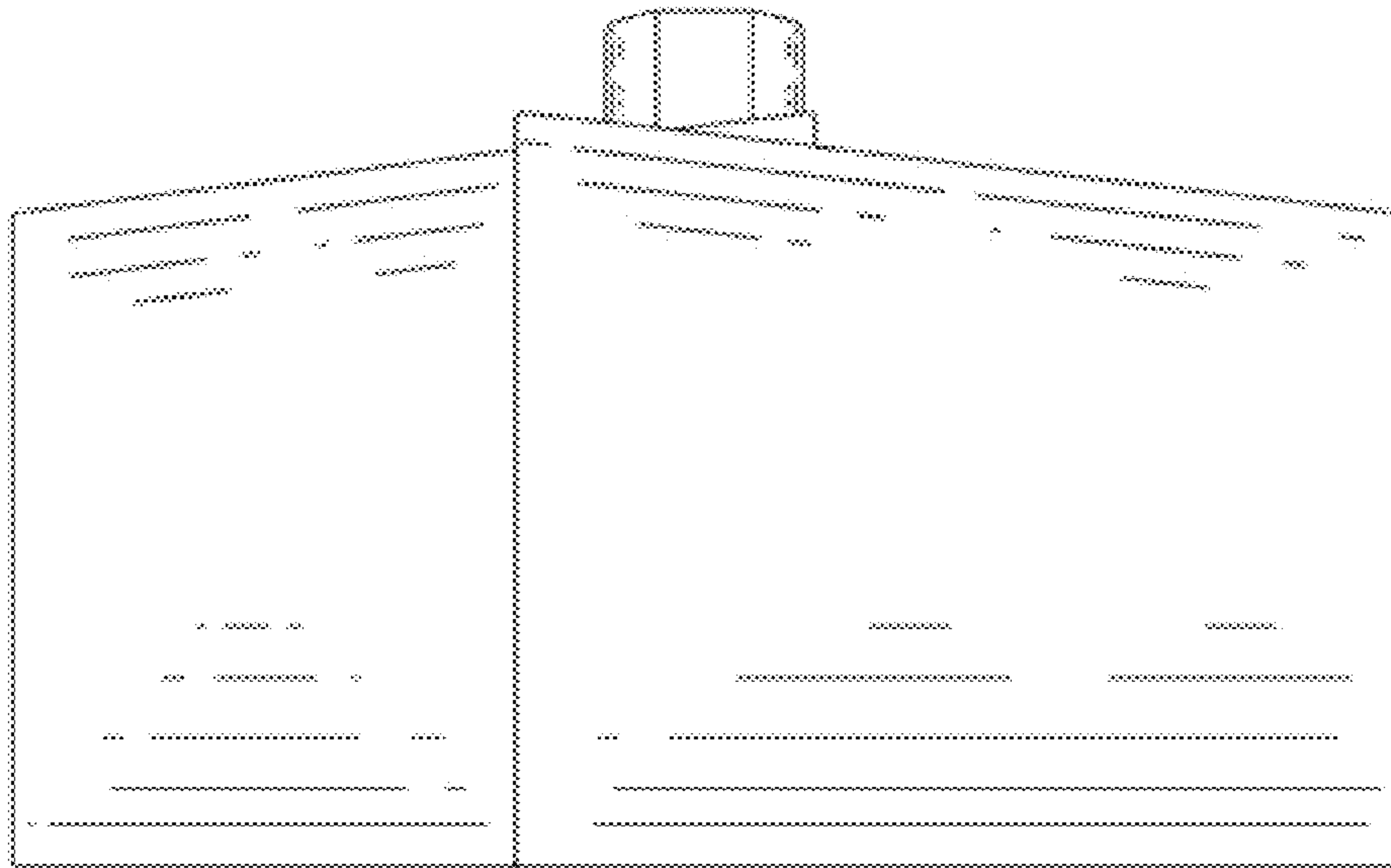


FIG. 2

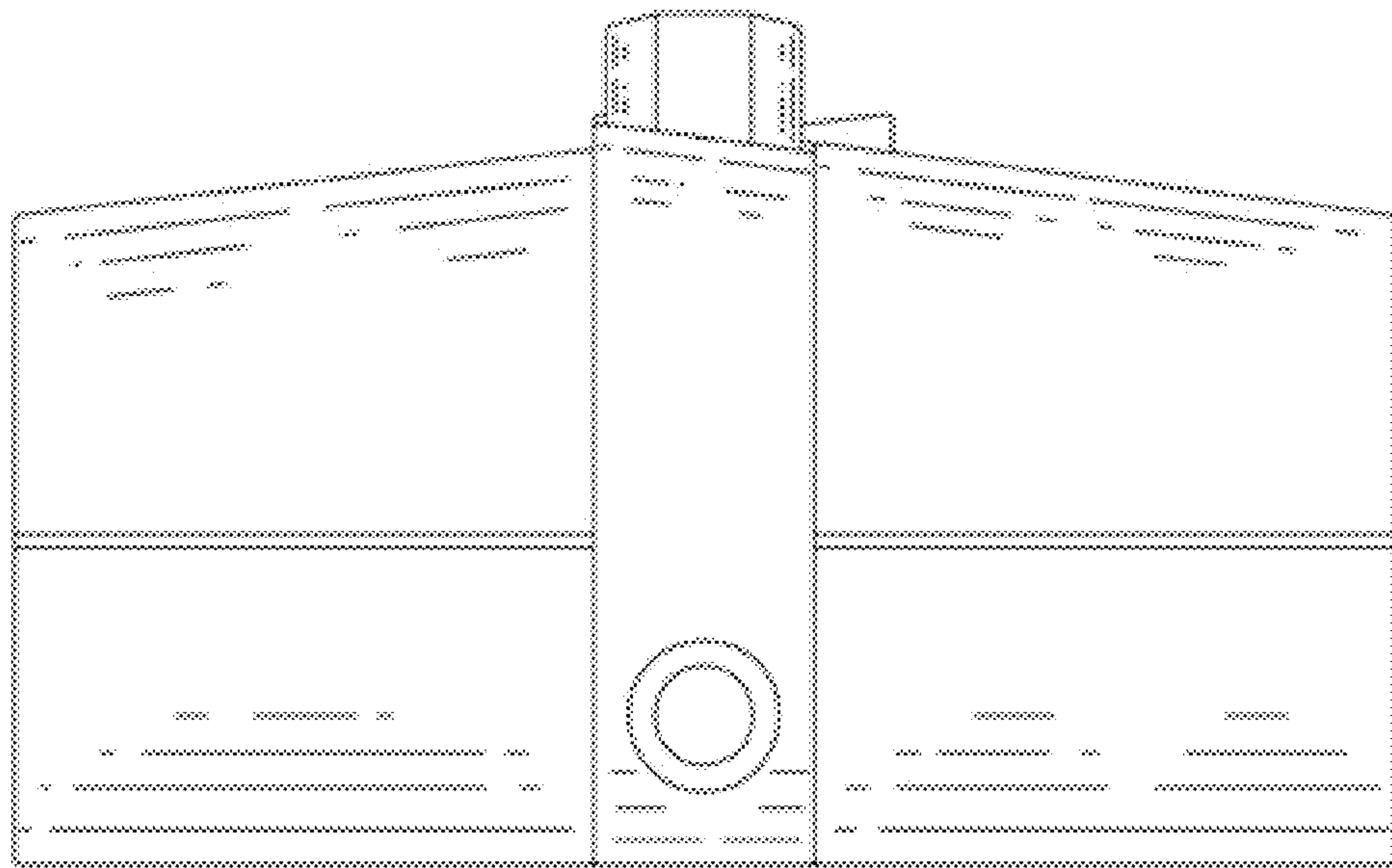


FIG. 3

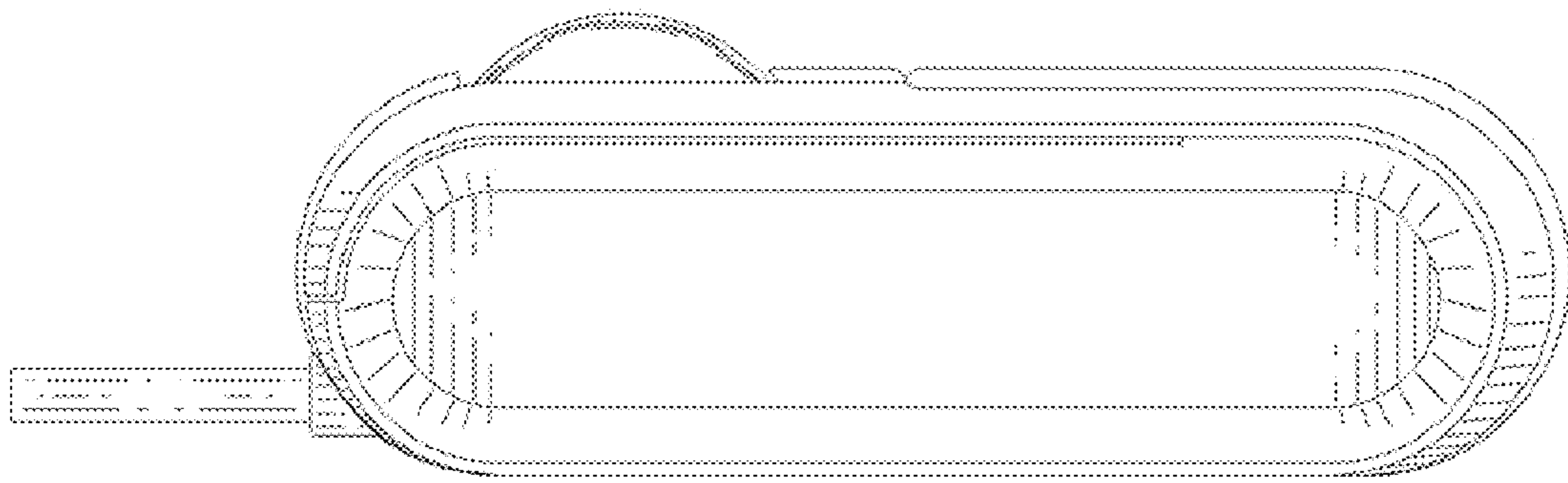


FIG. 4

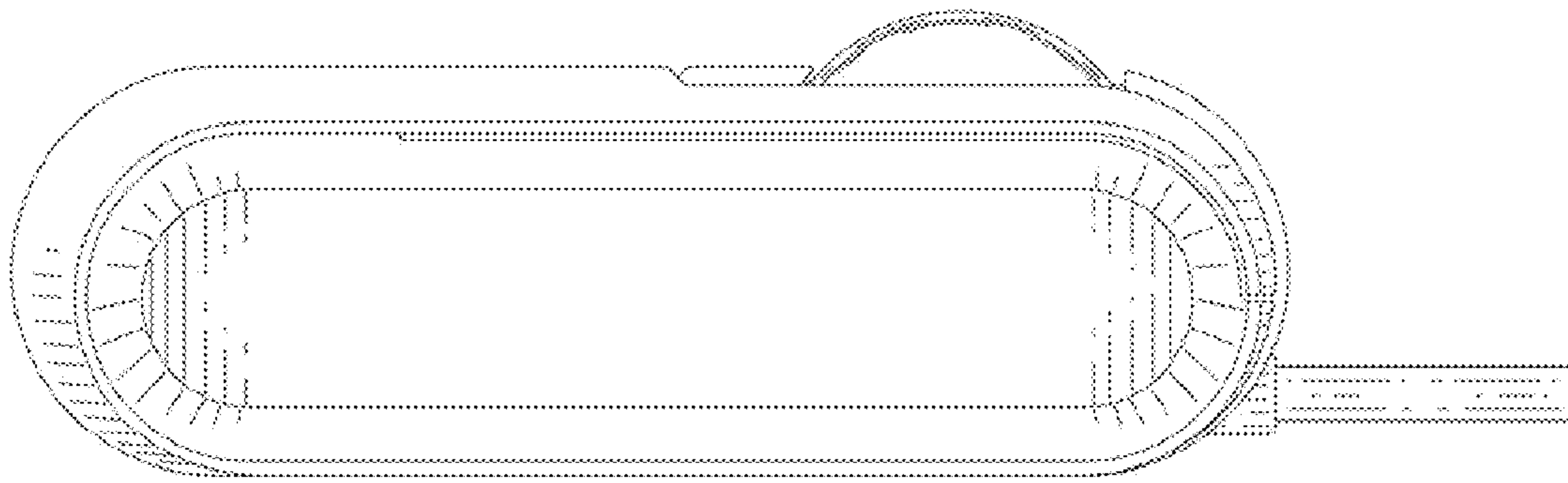


FIG. 5

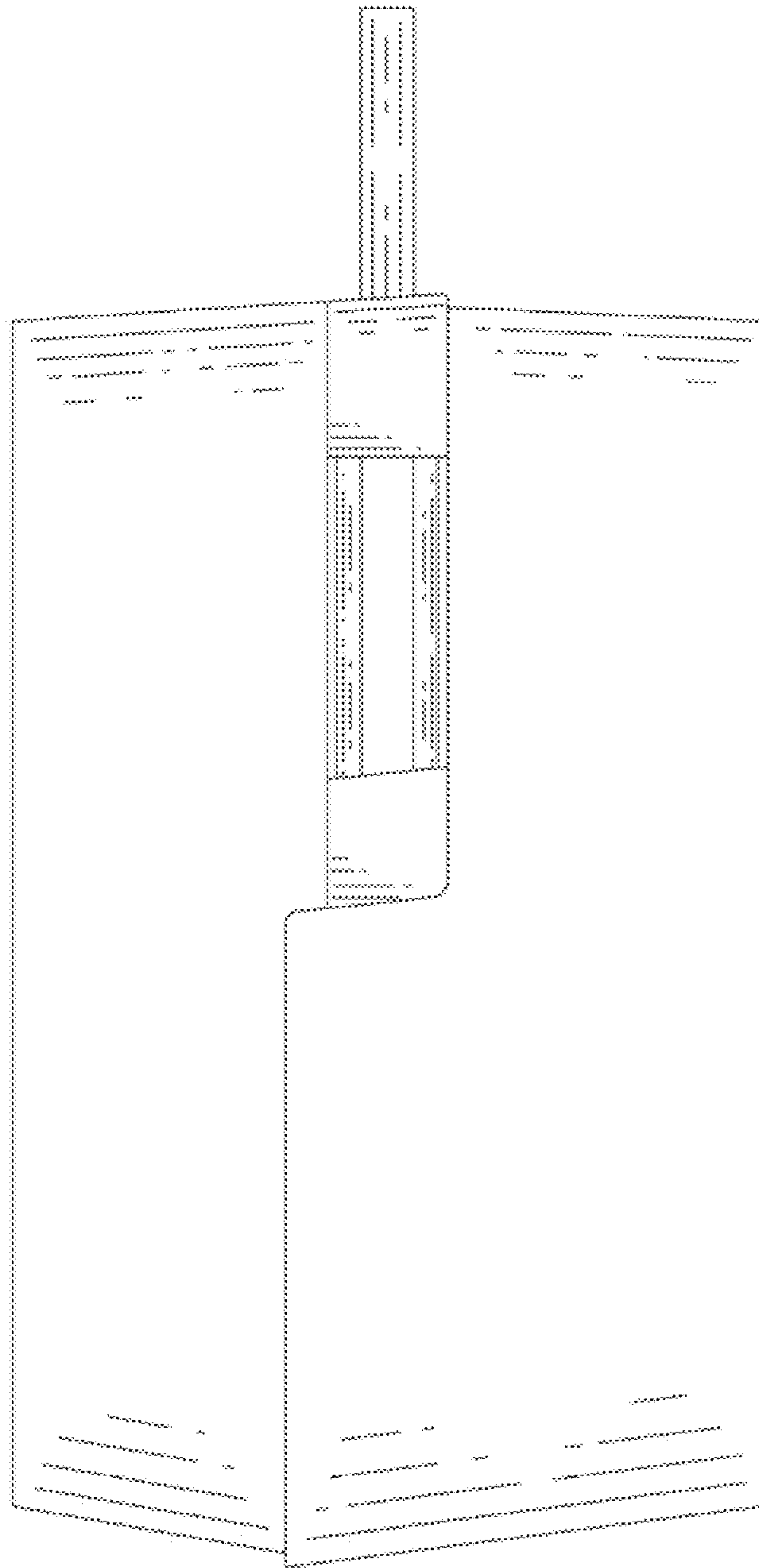


FIG. 6

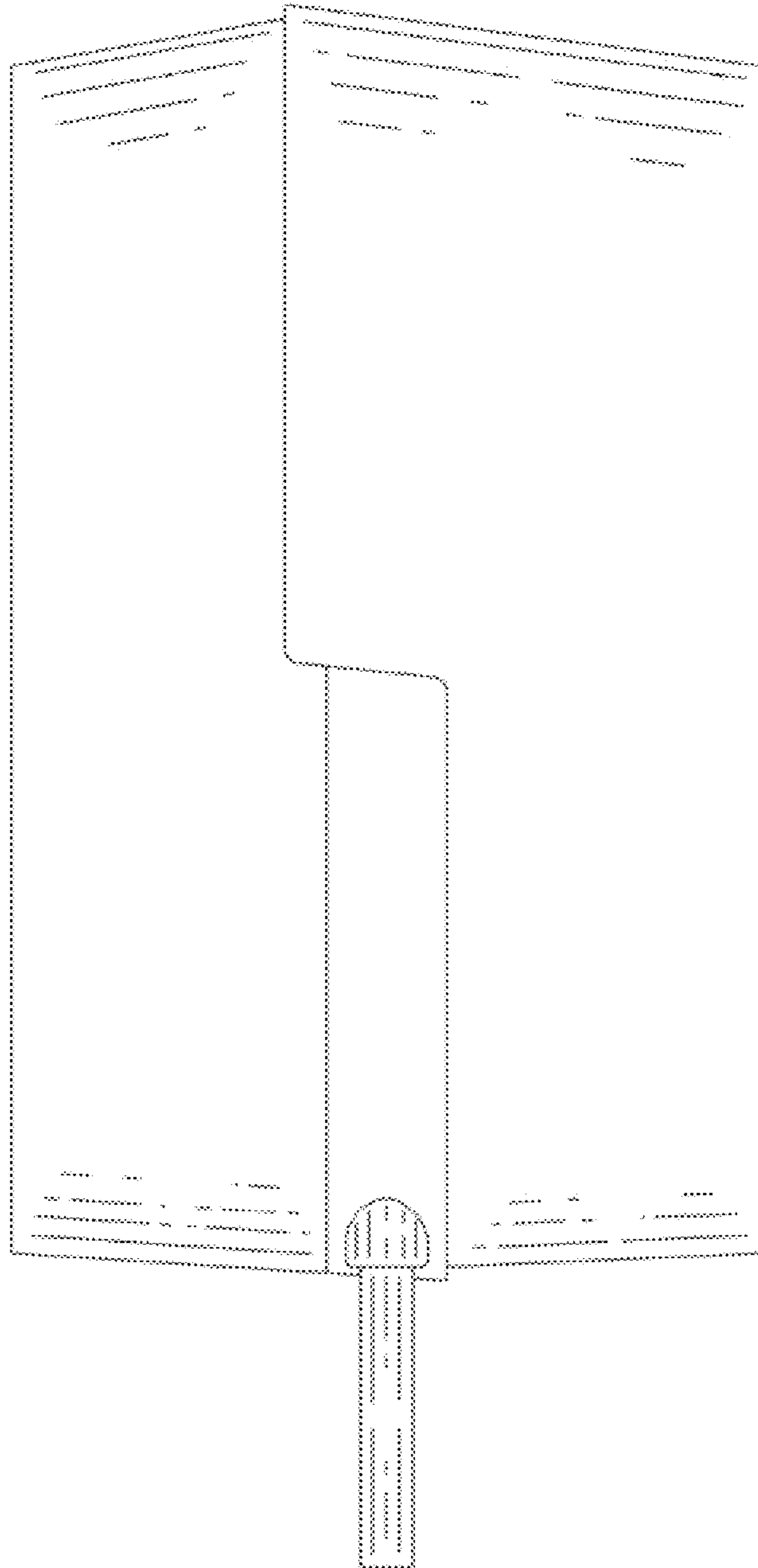


FIG. 7

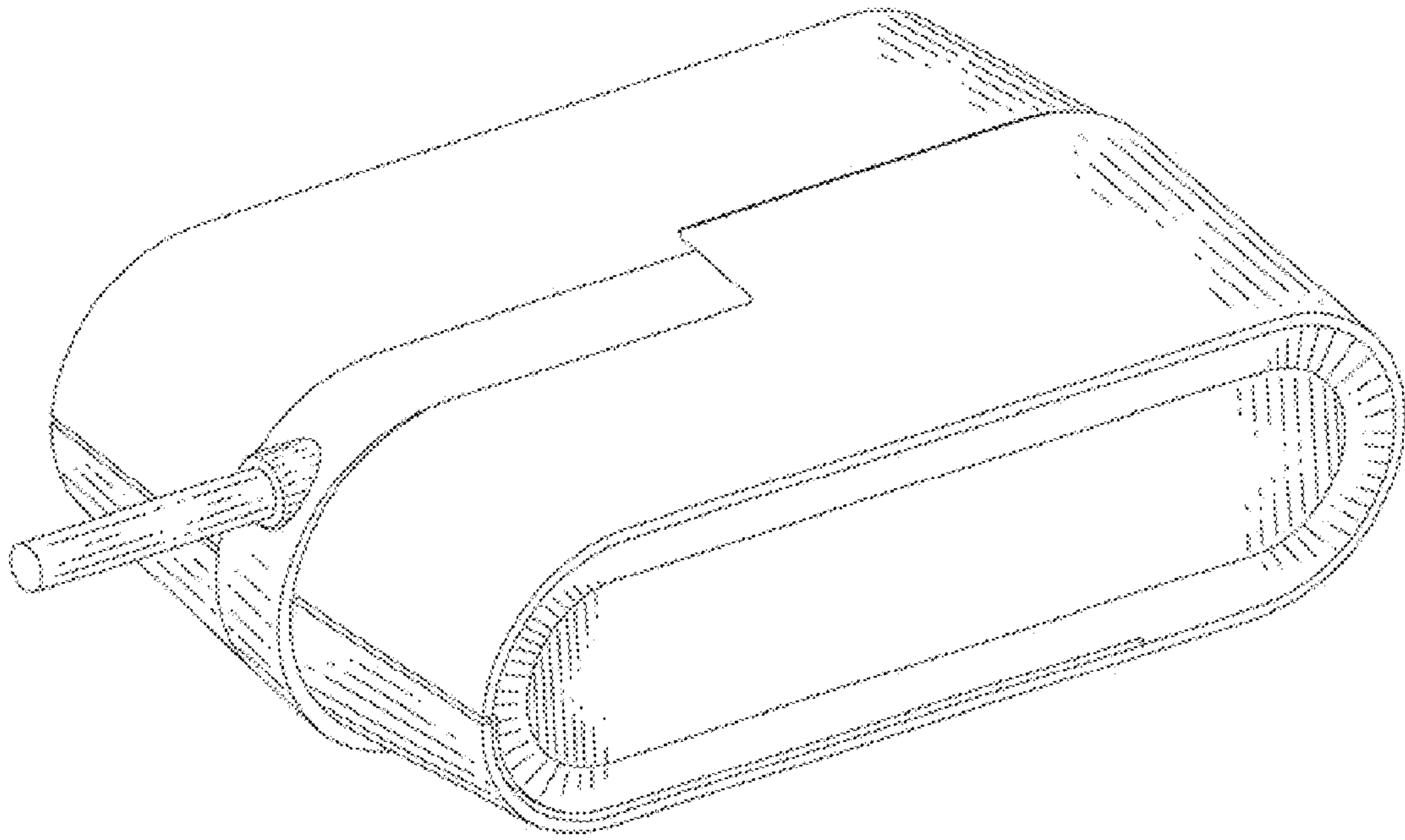


FIG. 8