



US00D654914S

(12) **United States Design Patent**
Martin

(10) **Patent No.:** **US D654,914 S**

(45) **Date of Patent:** **** Feb. 28, 2012**

(54) **CELL PHONE CASE**

(76) **Inventor:** **Gary W. Martin**, Santa Maria, CA (US)

(**) **Term:** **14 Years**

(21) **Appl. No.:** **29/366,610**

(22) **Filed:** **Jul. 27, 2010**

(51) **LOC (9) Cl.** **14-03**

(52) **U.S. Cl.** **D14/250**

(58) **Field of Classification Search** D14/250,
D14/439, 440, 496, 498, 500, 502, 505; 360/99.02,
360/99.07; 369/75.11, 75.21, 77.11, 77.21;
720/601, 612, 619, 647, 649, 655; 455/344,
455/347-351; D3/201, 218, 269, 301, 273;
D13/103; 220/4.02

See application file for complete search history.

(56) **References Cited**

U.S. PATENT DOCUMENTS

1,653,024	A	12/1927	Simek
2,210,493	A	8/1940	Lisi
D222,207	S	10/1971	Blum
4,146,045	A	3/1979	Grant
D307,665	S	5/1990	Pressley
D324,450	S	3/1992	Pugh
D324,945	S	3/1992	Pina
D325,297	S	4/1992	Lipscomb
D328,519	S	8/1992	Tom
D347,319	S	5/1994	Friedman

D413,430	S	9/1999	Granata	
D623,651	S	*	9/2010	Hsu D14/439
D636,386	S	*	4/2011	Richardson et al. D14/250
D638,412	S	*	5/2011	Lee D14/250
D638,414	S	*	5/2011	Magness et al. D14/250
D641,348	S	*	7/2011	Kim et al. D14/250
D643,836	S	*	8/2011	Smith et al. D14/250
D646,265	S	*	10/2011	Fathollahi D14/250
D647,084	S	*	10/2011	Fathollahi D14/250

* cited by examiner

Primary Examiner — Susan Bennett Hattan

Assistant Examiner — Barbara B Lohr

(74) *Attorney, Agent, or Firm* — QuickPatents, Inc.; Kevin Prince

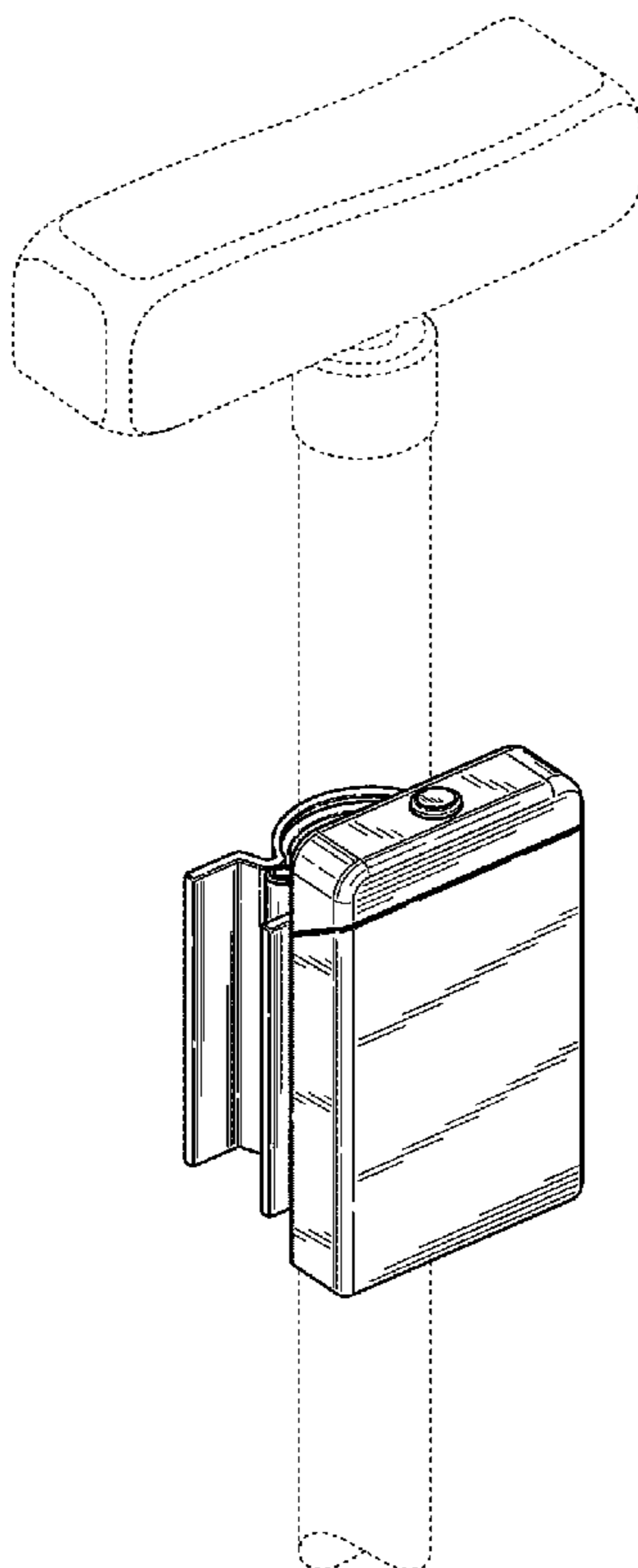
(57) **CLAIM**

What is claimed is the ornamental design for a cell phone case, as shown and described.

DESCRIPTION

FIG. 1 is a perspective view of a cell phone case, showing the new design in use;
FIG. 2 is a front elevational view thereof;
FIG. 3 is a rear elevational view thereof;
FIG. 4 is a left-side elevational view thereof;
FIG. 5 is a right-side elevational view thereof;
FIG. 6 is a top plan view thereof; and,
FIG. 7 is a bottom plan view thereof. The broken lines in the drawing depict environmental subject matter only and form no part of the claimed design.

1 Claim, 2 Drawing Sheets



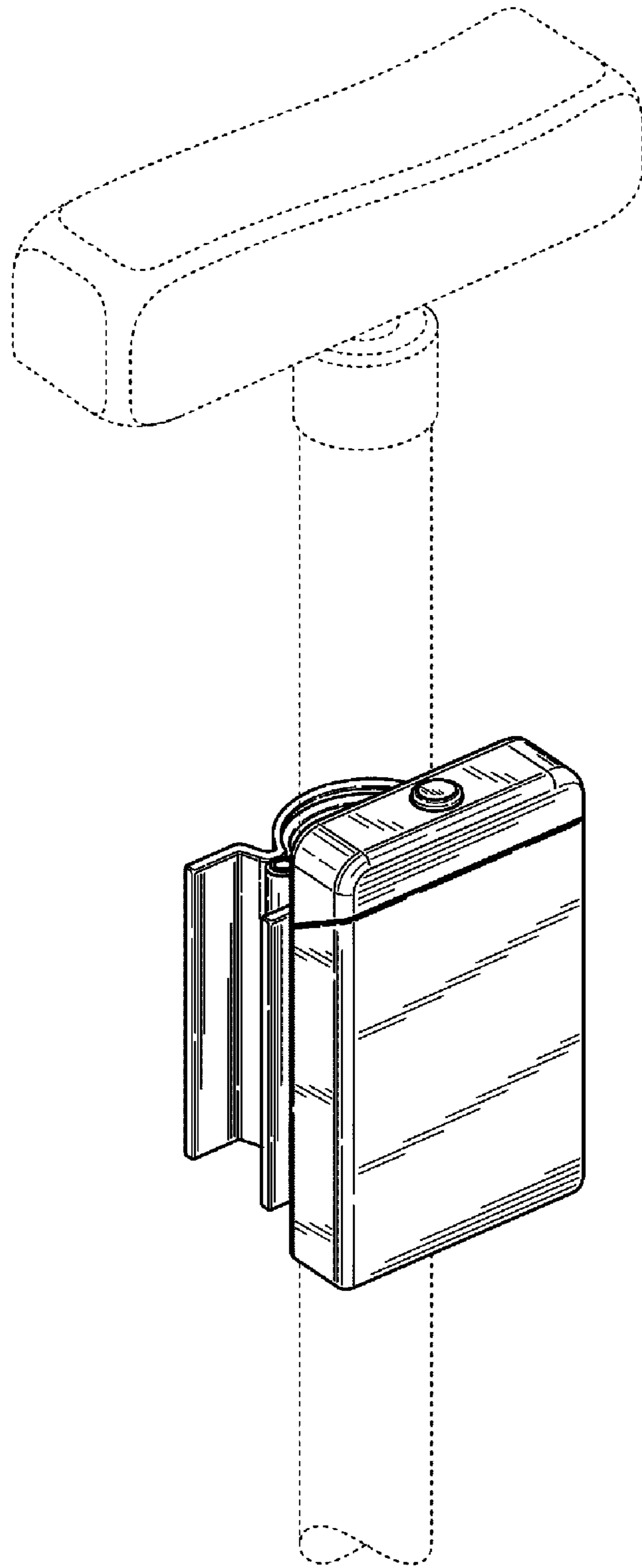


FIG. 1

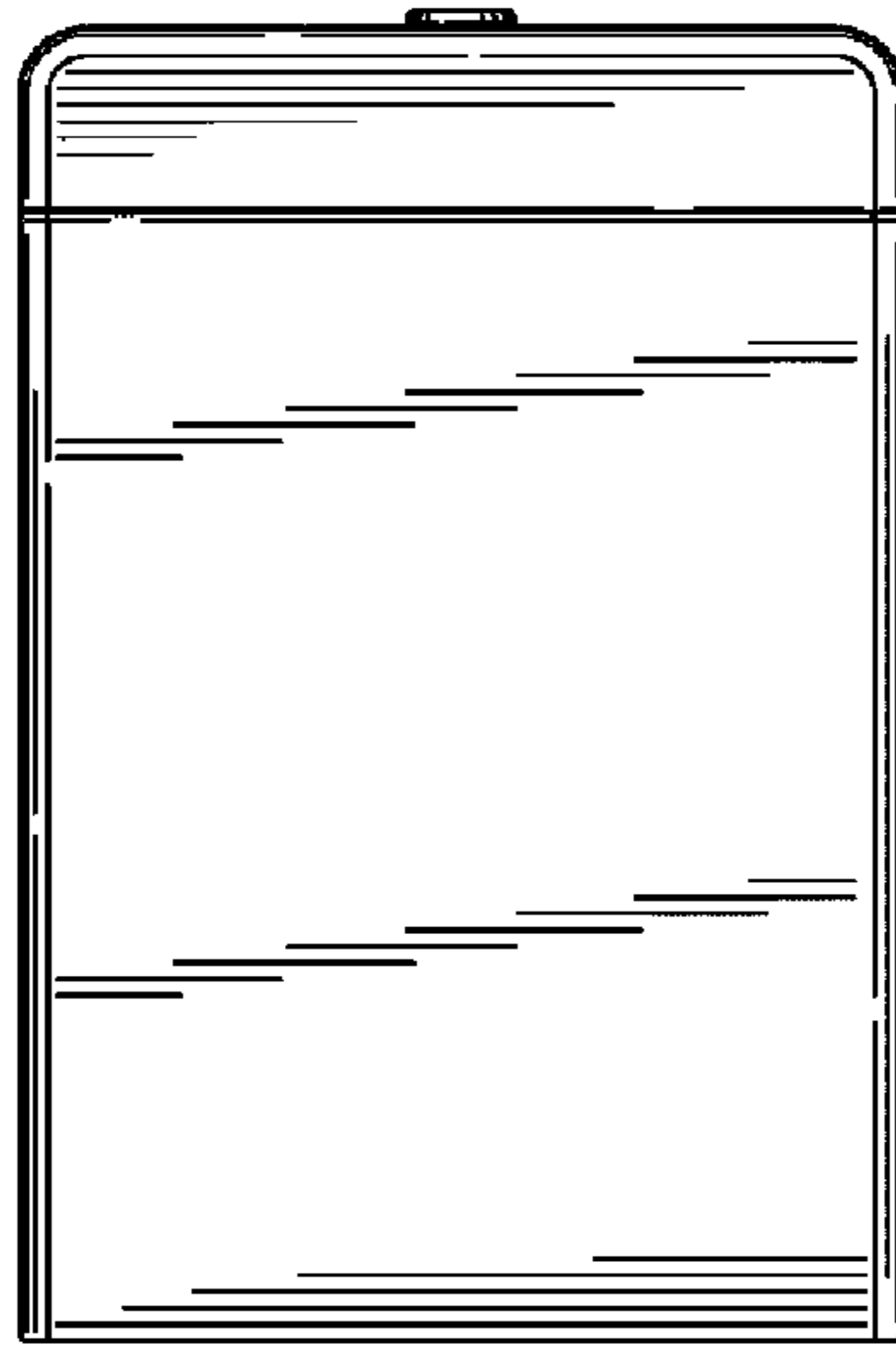


FIG. 2



FIG. 3

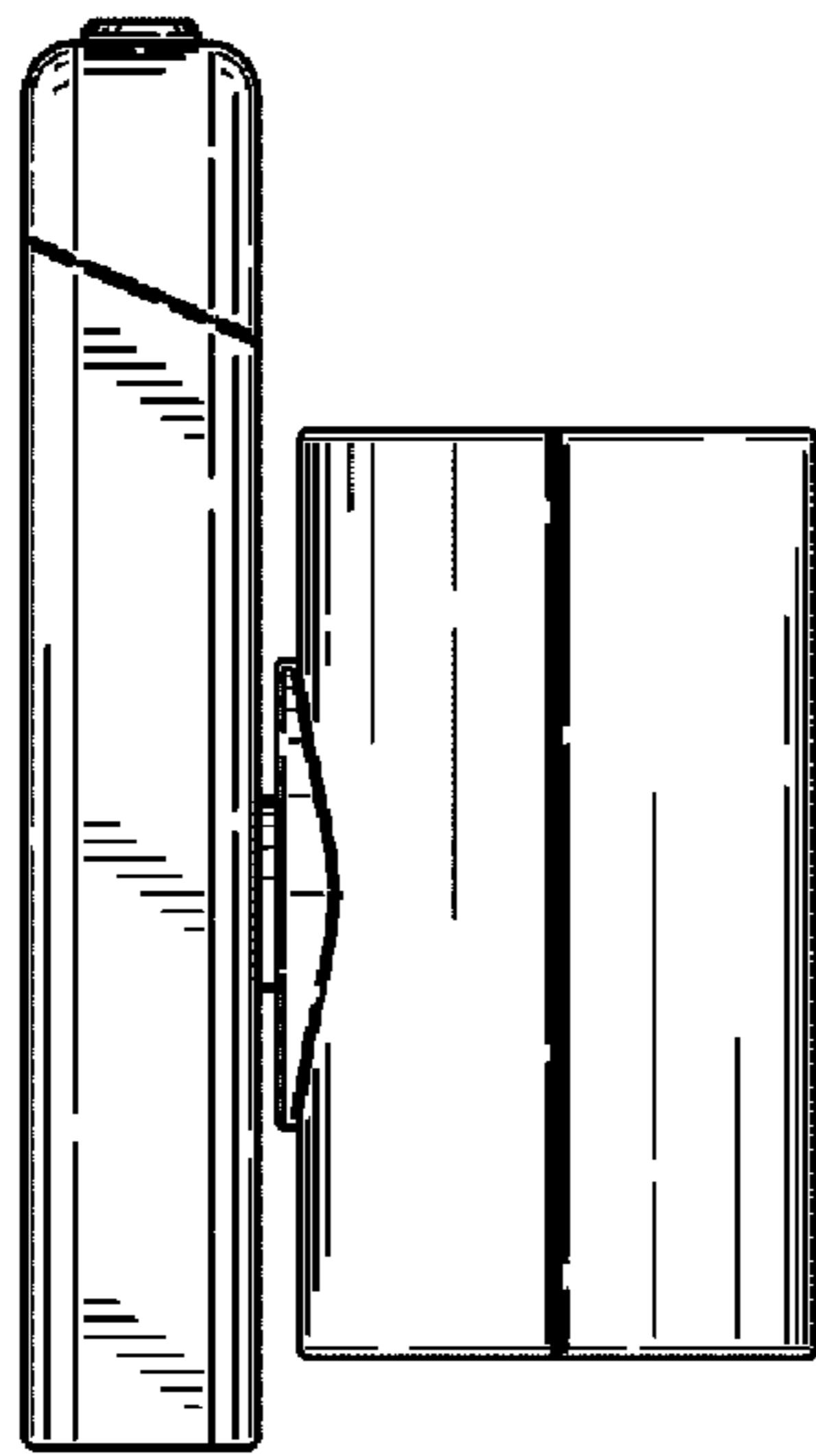


FIG. 4

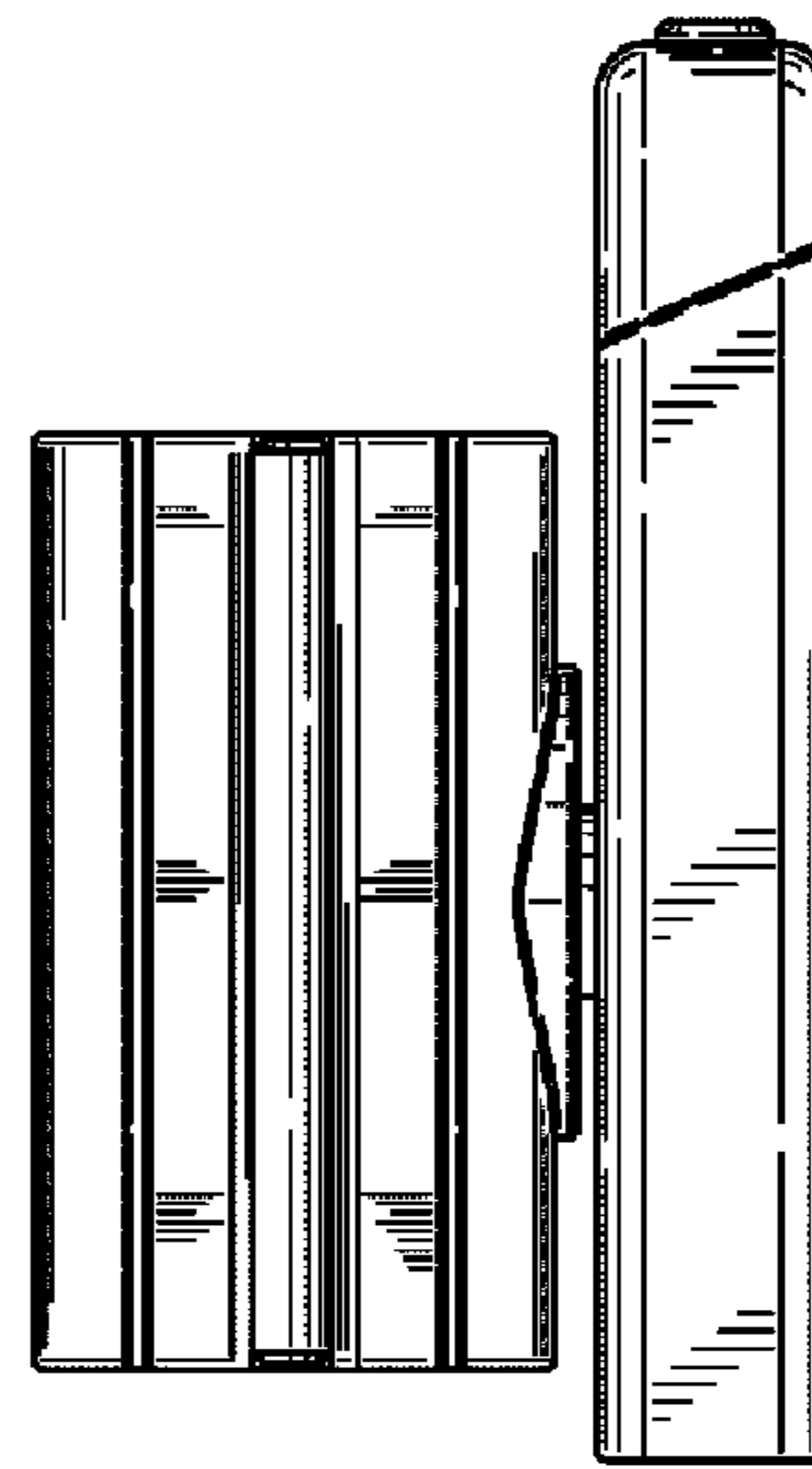


FIG. 5

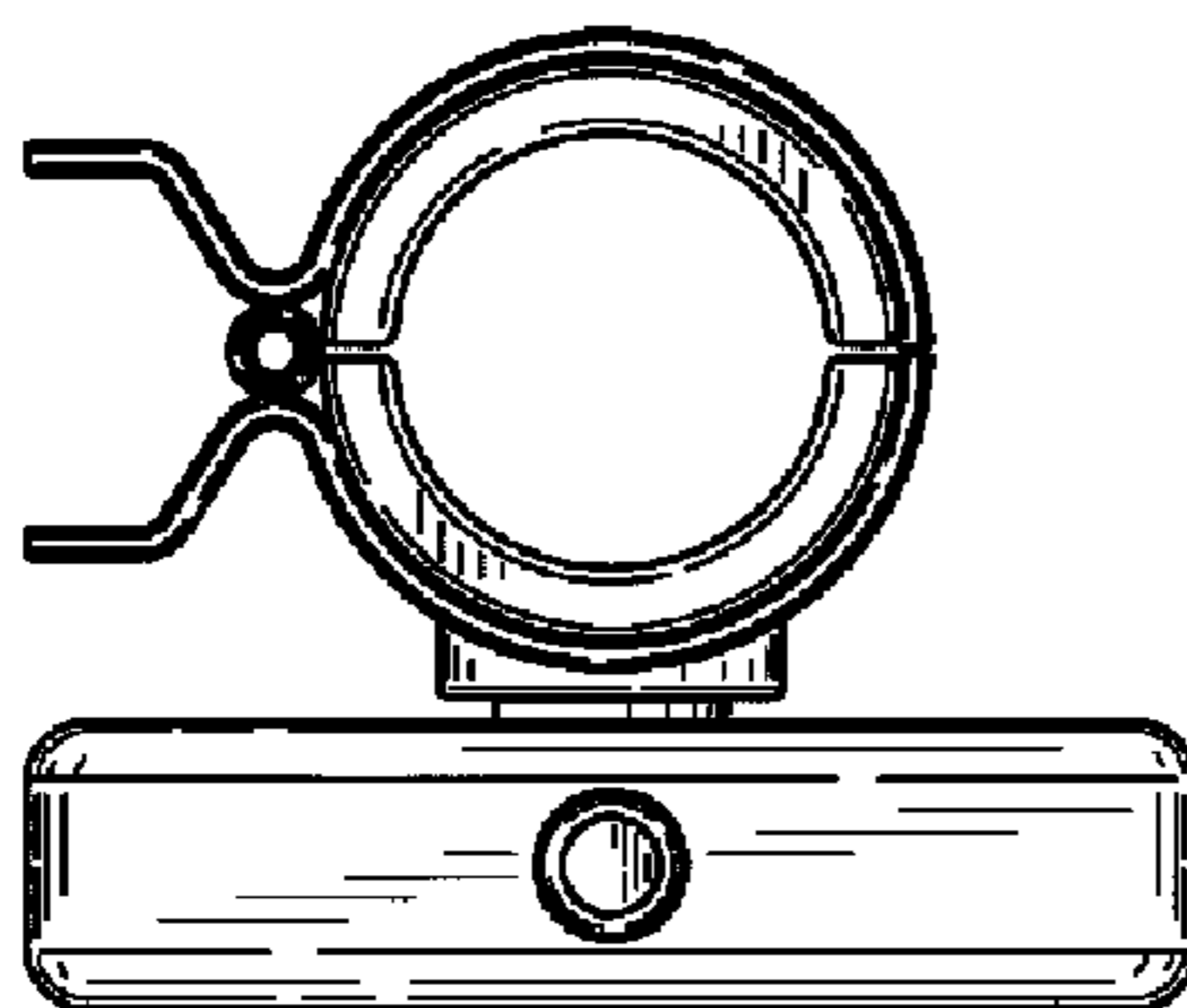


FIG. 6

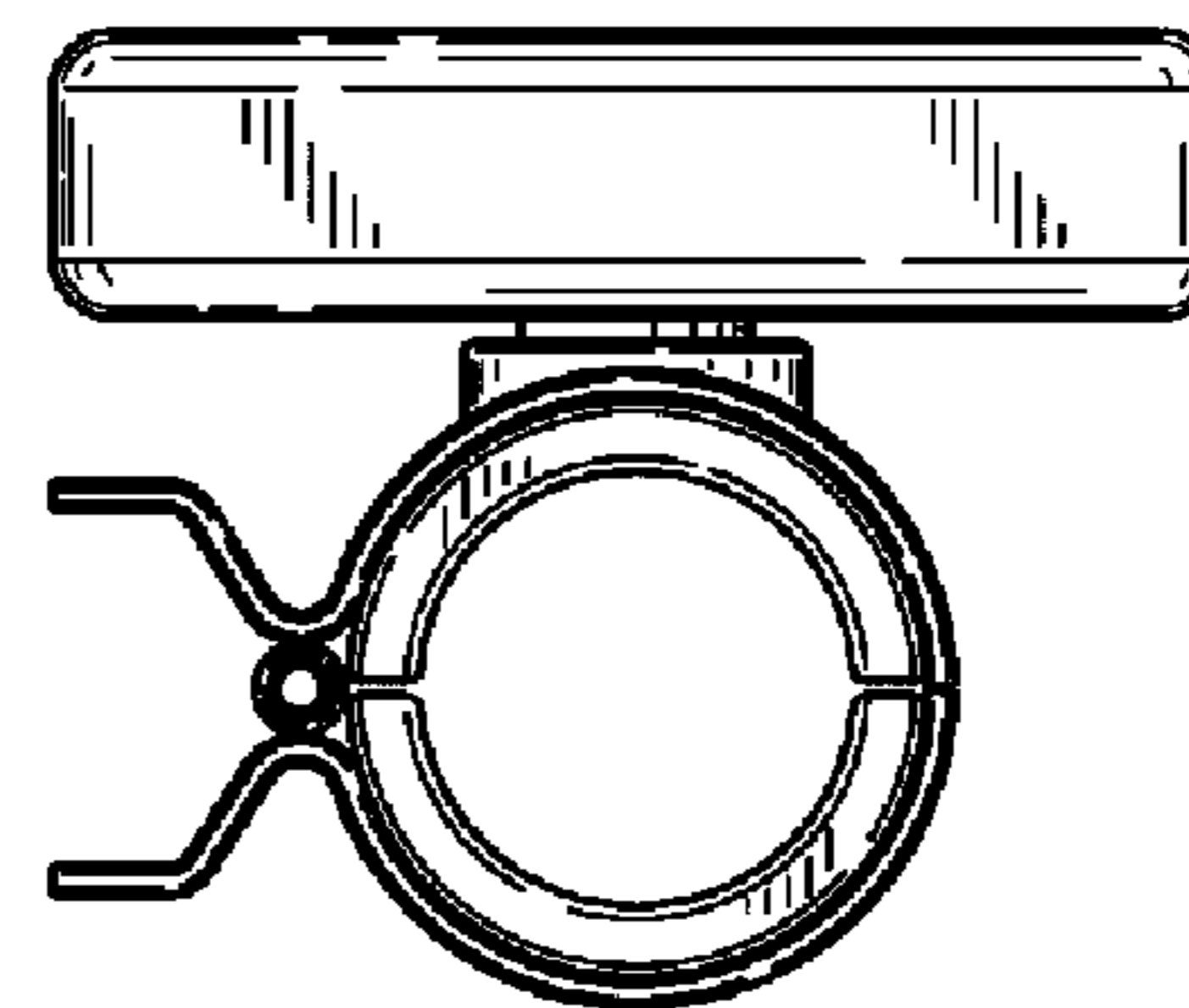


FIG. 7