

US00D654909S

(12) **United States Design Patent**
Kim et al.

(10) **Patent No.:** **US D654,909 S**

(45) **Date of Patent:** **** *Feb. 28, 2012**

(54) **WIRELESS HEADSET**

(75) Inventors: **Young-Soo Kim**, Seoul (KR);
Gum-Sool Kim, Anyang-Si (KR)

(73) Assignee: **Samsung Electronics Co., Ltd.** (KR)

(*) Notice: This patent is subject to a terminal disclaimer.

(**) Term: **14 Years**

(21) Appl. No.: **29/380,674**

(22) Filed: **Dec. 9, 2010**

(30) **Foreign Application Priority Data**

Oct. 29, 2010 (KR) 30-2010-0047044

(51) **LOC (9) Cl.** **14-01**

(52) **U.S. Cl.** **D14/223**

(58) **Field of Classification Search** D14/205,
D14/206, 223, 188, 192; 181/129, 130, 135;
381/380, 381; 379/430, 431; 455/90.3, 575.1,
455/575.2; D10/104; D13/168
See application file for complete search history.

(56) **References Cited**

U.S. PATENT DOCUMENTS

D490,069	S	*	5/2004	Lee	D14/188
D512,991	S	*	12/2005	Yano	D14/223
7,079,664	B2	*	7/2006	Nassimi	381/380
D555,151	S	*	11/2007	Eklund	D14/223
D562,309	S	*	2/2008	Choi et al.	D14/223
D566,108	S	*	4/2008	Kan	D14/223
D573,582	S	*	7/2008	Ma	D14/205
D585,430	S	*	1/2009	Kim et al.	D14/223
D585,431	S	*	1/2009	Bradford et al.	D14/223

D595,272	S	*	6/2009	Kim et al.	D14/223
D596,166	S	*	7/2009	Henning	D14/223
D598,900	S	*	8/2009	Wikel et al.	D14/223
D602,006	S	*	10/2009	Kim et al.	D14/223
D602,007	S	*	10/2009	Lee et al.	D14/223
D602,476	S	*	10/2009	Lee et al.	D14/223
D604,722	S	*	11/2009	Mistry	D14/223
D606,980	S	*	12/2009	Bradford	D14/218
D609,698	S	*	2/2010	Ng	D14/223
D618,221	S	*	6/2010	Fahrendorff et al.	D14/223
D619,998	S	*	7/2010	Birger	D14/223
D622,266	S	*	8/2010	Tzeng et al.	D14/223
D625,711	S	*	10/2010	Yang	D14/223
D626,947	S	*	11/2010	Lee et al.	D14/223
D628,194	S	*	11/2010	Koch	D14/223
D628,989	S	*	12/2010	Lee et al.	D14/223
D630,620	S	*	1/2011	Lee et al.	D14/223
D630,622	S	*	1/2011	Lee et al.	D14/223
D637,183	S	*	5/2011	March	D14/223
D637,184	S	*	5/2011	March	D14/223
D640,242	S	*	6/2011	Fahrendorff et al.	D14/223
D641,718	S	*	7/2011	Sakai	D13/168

* cited by examiner

Primary Examiner — Paula Greene

(74) *Attorney, Agent, or Firm* — NSIP Law

(57) **CLAIM**

The ornamental design for a wireless headset, as shown and described.

DESCRIPTION

FIG. 1 is a perspective view of a wireless headset; FIG. 2 is a front view of the wireless headset of FIG. 1; FIG. 3 is a rear view of the wireless headset of FIG. 1; FIG. 4 is a left-side view of the wireless headset of FIG. 1; FIG. 5 is a right-side view of the wireless headset of FIG. 1; FIG. 6 is a top plan view of the wireless headset of FIG. 1; and, FIG. 7 is a bottom plan view of the wireless headset of FIG. 1.

1 Claim, 5 Drawing Sheets

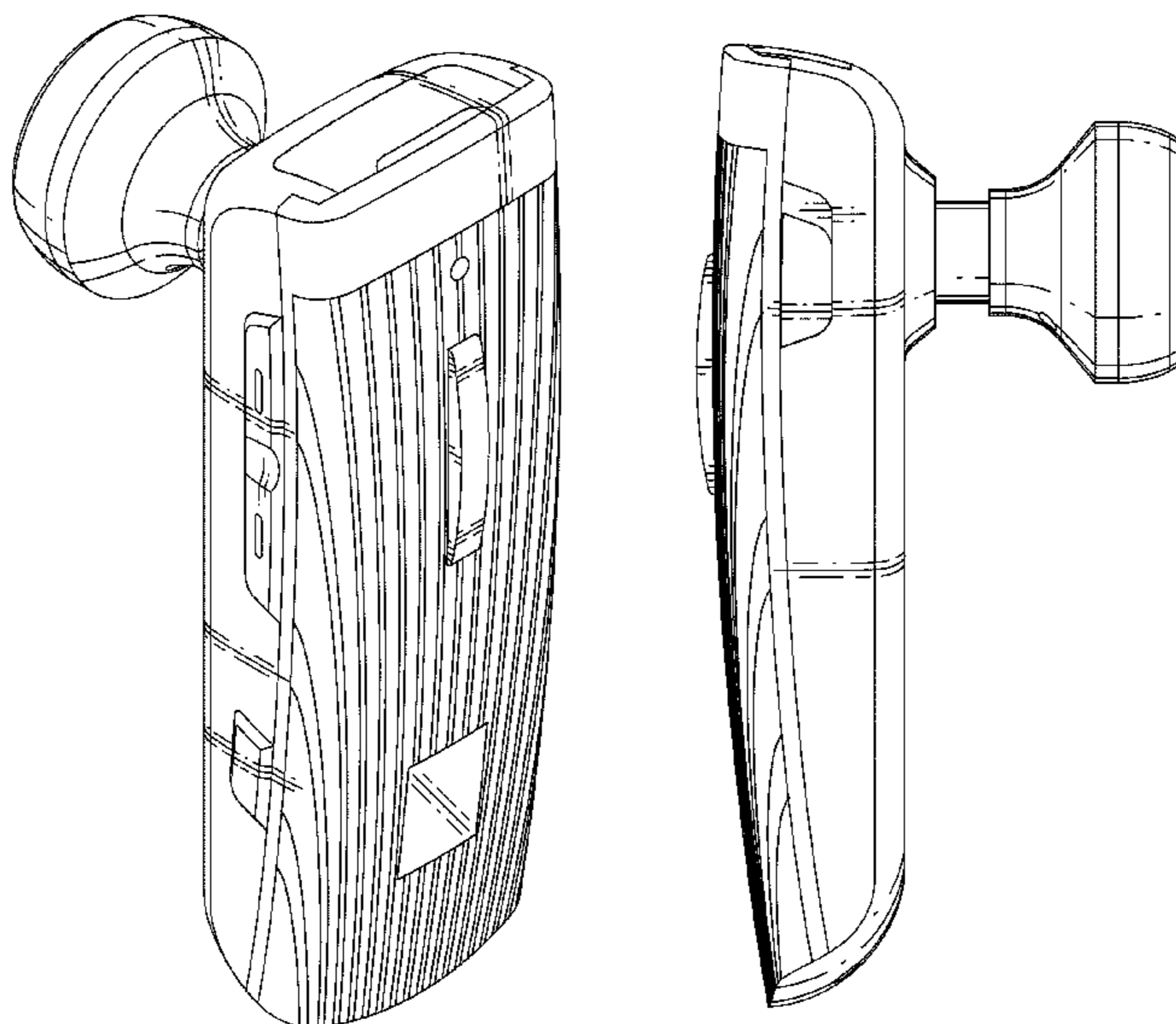


FIG. 1

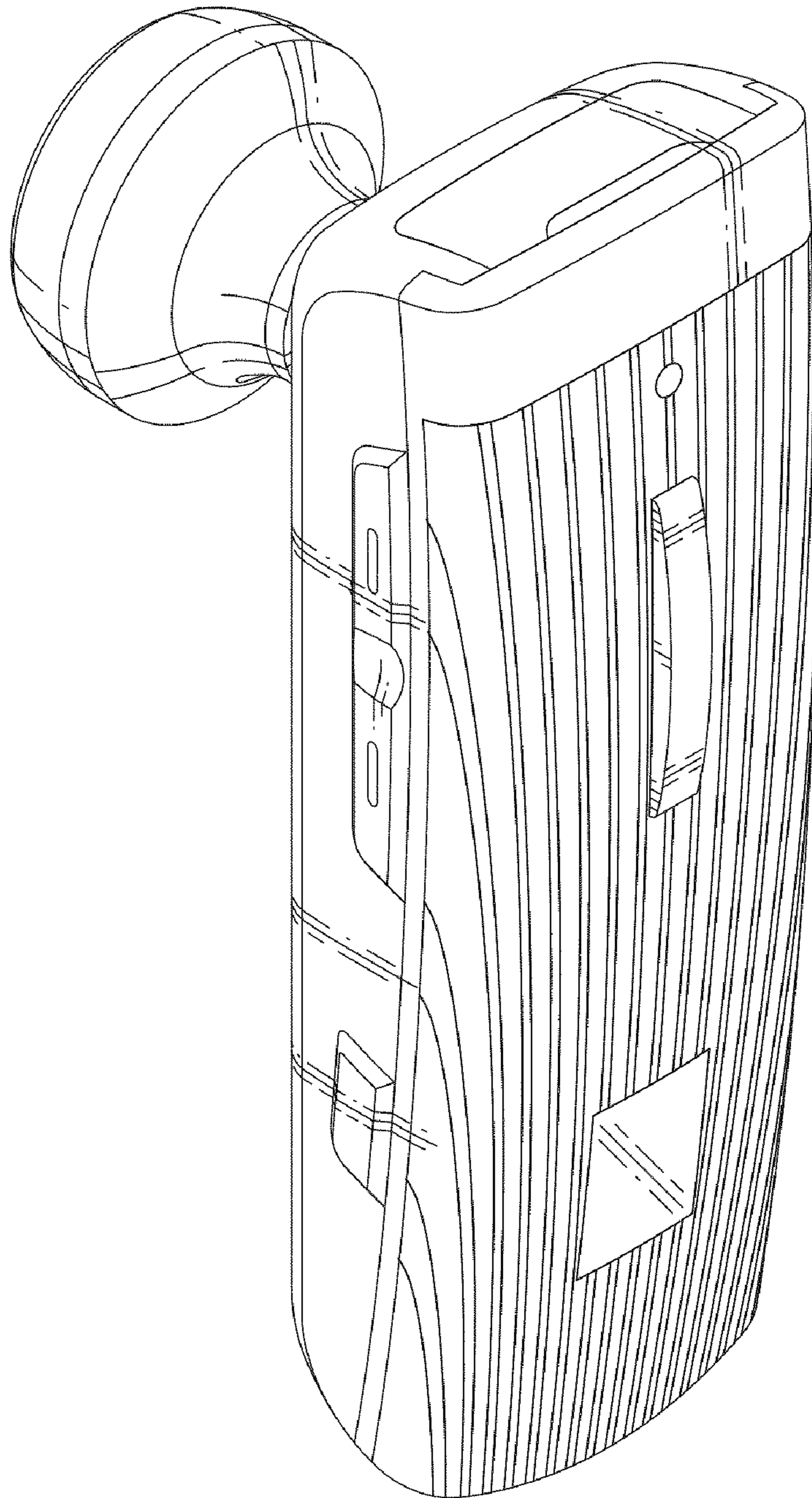


FIG. 2

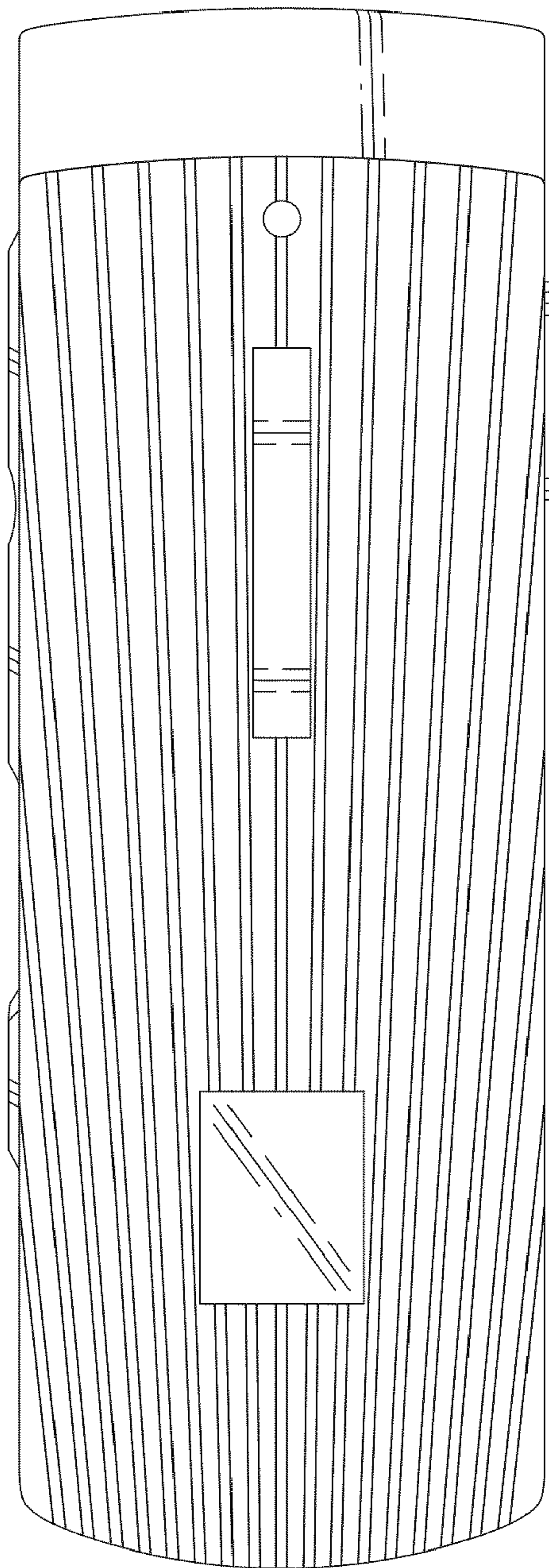


FIG. 3

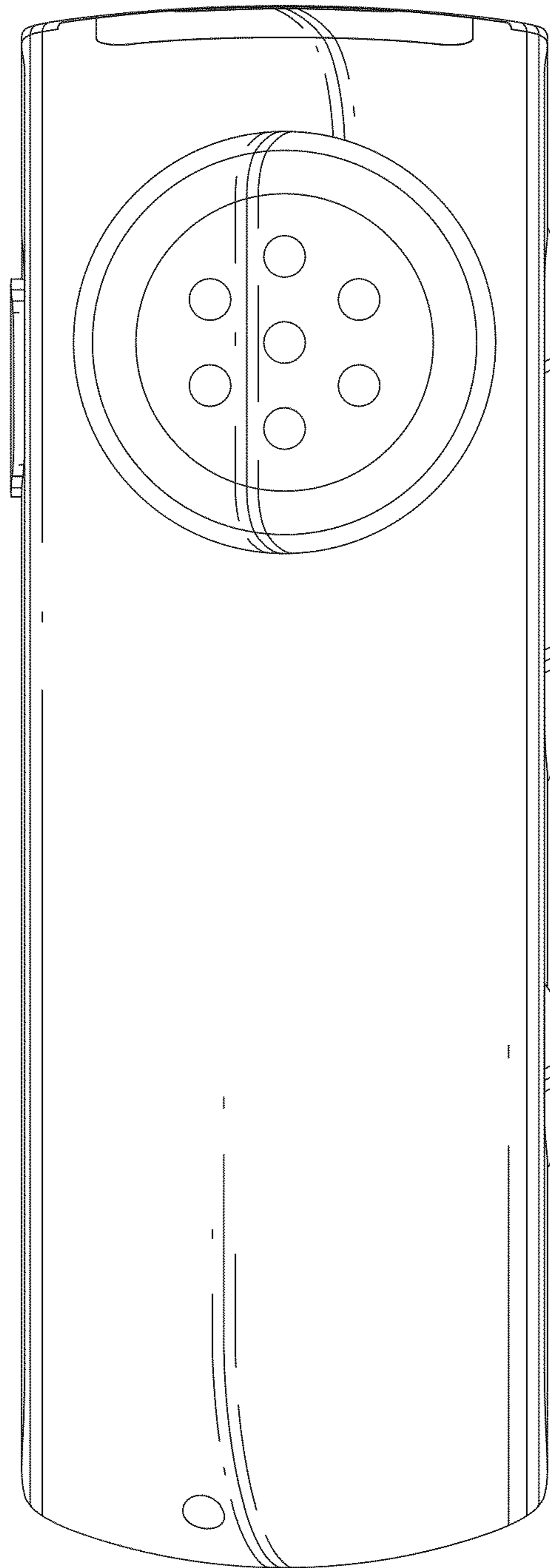


FIG. 4

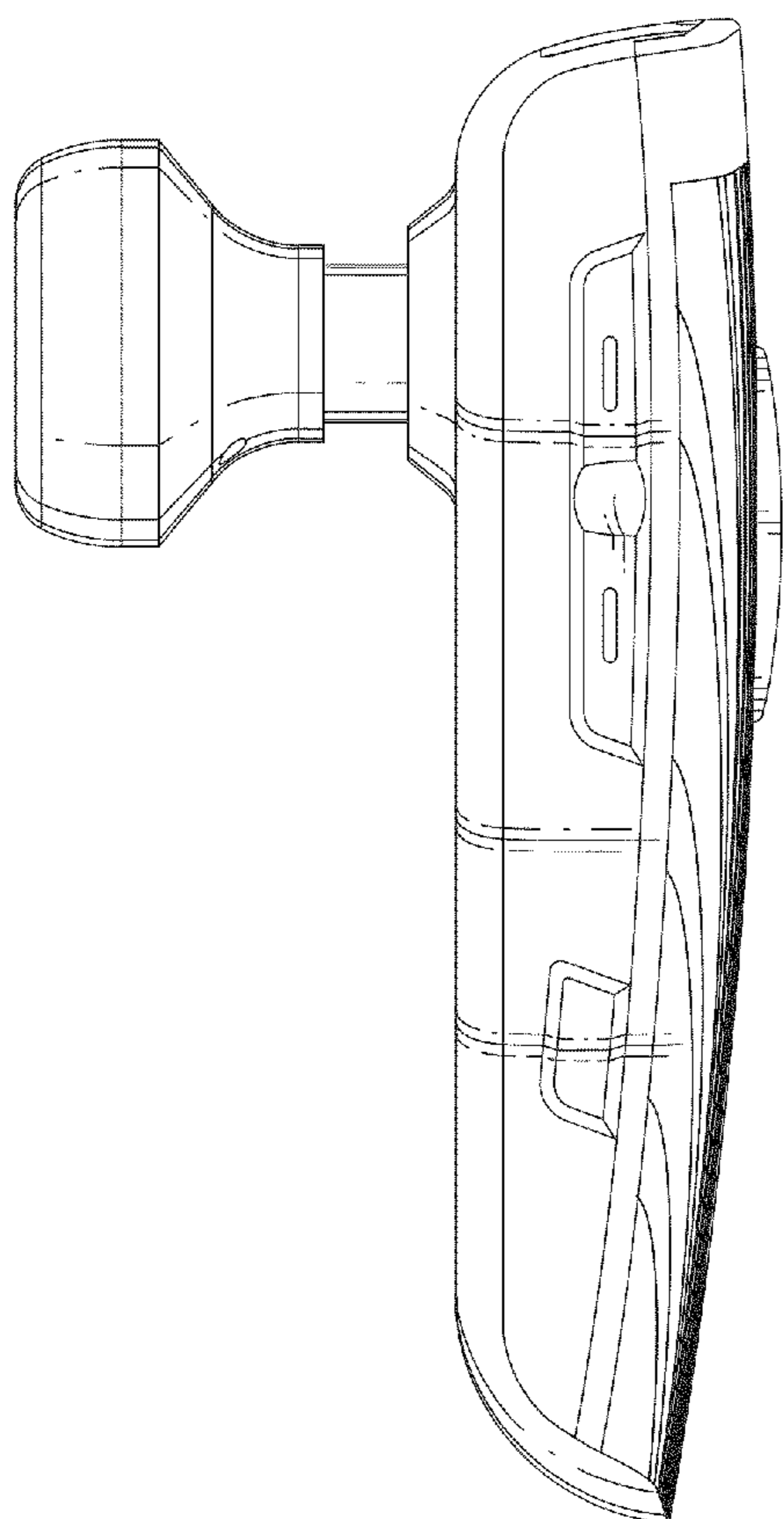


FIG. 5

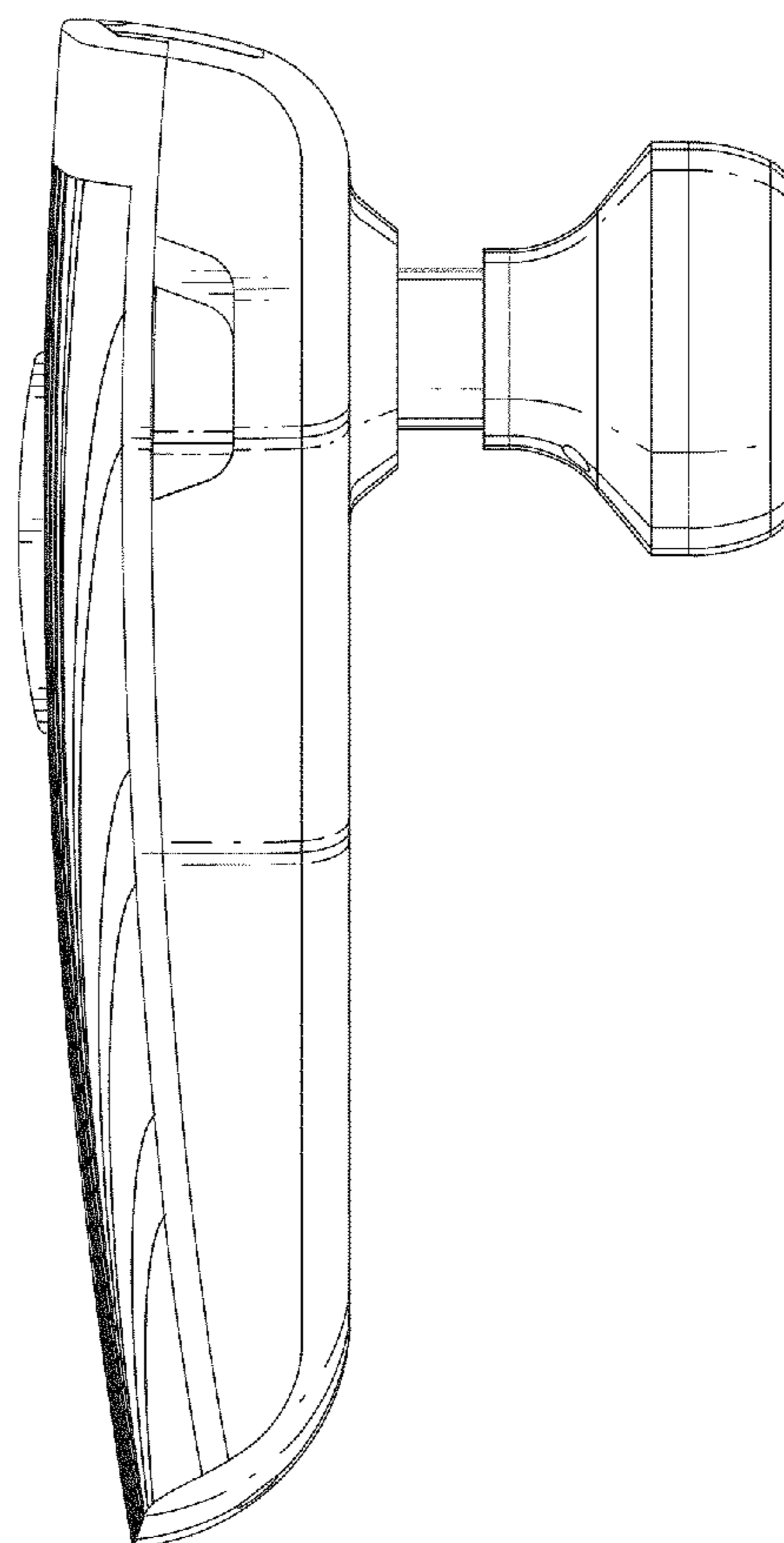


FIG. 6

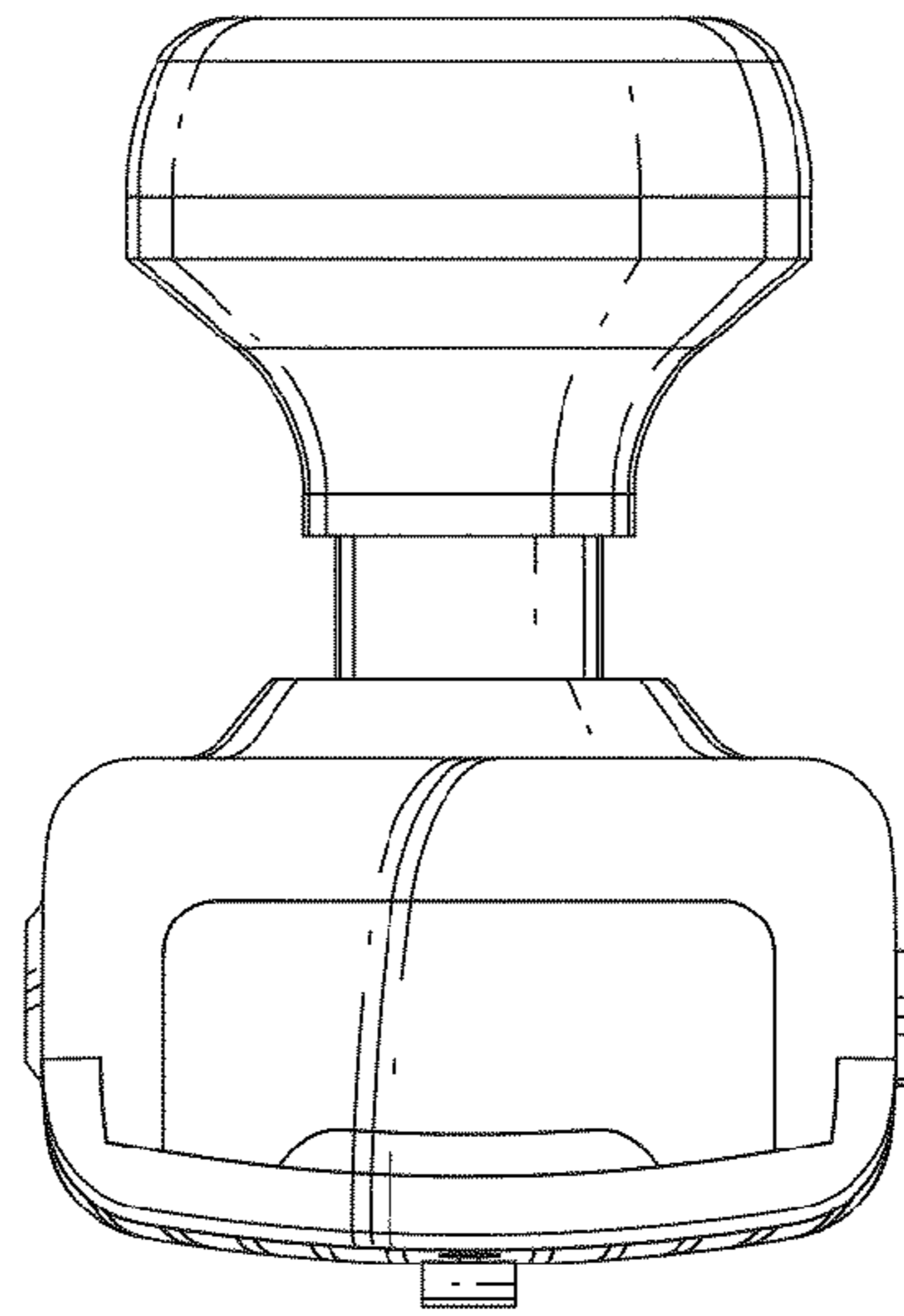


FIG. 7

