



US00D654907S

(12) **United States Design Patent**
McManigal

(10) **Patent No.:** **US D654,907 S**

(45) **Date of Patent:** **** *Feb. 28, 2012**

(54) **SOUND BAR SPEAKER SYSTEM**

(75) **Inventor:** **Scott Paul McManigal**, Newport Beach, CA (US)

(73) **Assignee:** **Vizio Inc.**, Irvine, CA (US)

(*) **Notice:** This patent is subject to a terminal disclaimer.

(**) **Term:** **14 Years**

(21) **Appl. No.:** **29/381,162**

(22) **Filed:** **Dec. 16, 2010**

(51) **LOC (9) Cl.** **14-01**

(52) **U.S. Cl.** **D14/214**

(58) **Field of Classification Search** D14/204,
D14/210-216, 172; 181/143-144, 147-148,
181/150-153, 157, 198-199; 381/300-303,
381/306, 332-333, 336, 345, 361-364, 386-388;
D12/114

See application file for complete search history.

(56) **References Cited**

U.S. PATENT DOCUMENTS

D472,542 S * 4/2003 Oikawa D14/172
D520,494 S * 5/2006 Aiba et al. D14/214

D532,408 S * 11/2006 Kita D14/214
D540,310 S * 4/2007 Yuyama D14/214
D543,535 S * 5/2007 Hasegawa et al. D14/214
D573,133 S * 7/2008 Milks et al. D14/214

* cited by examiner

Primary Examiner — Nanda Bondade

(74) *Attorney, Agent, or Firm* — Law Office of Scott C. Harris, Inc.

(57) **CLAIM**

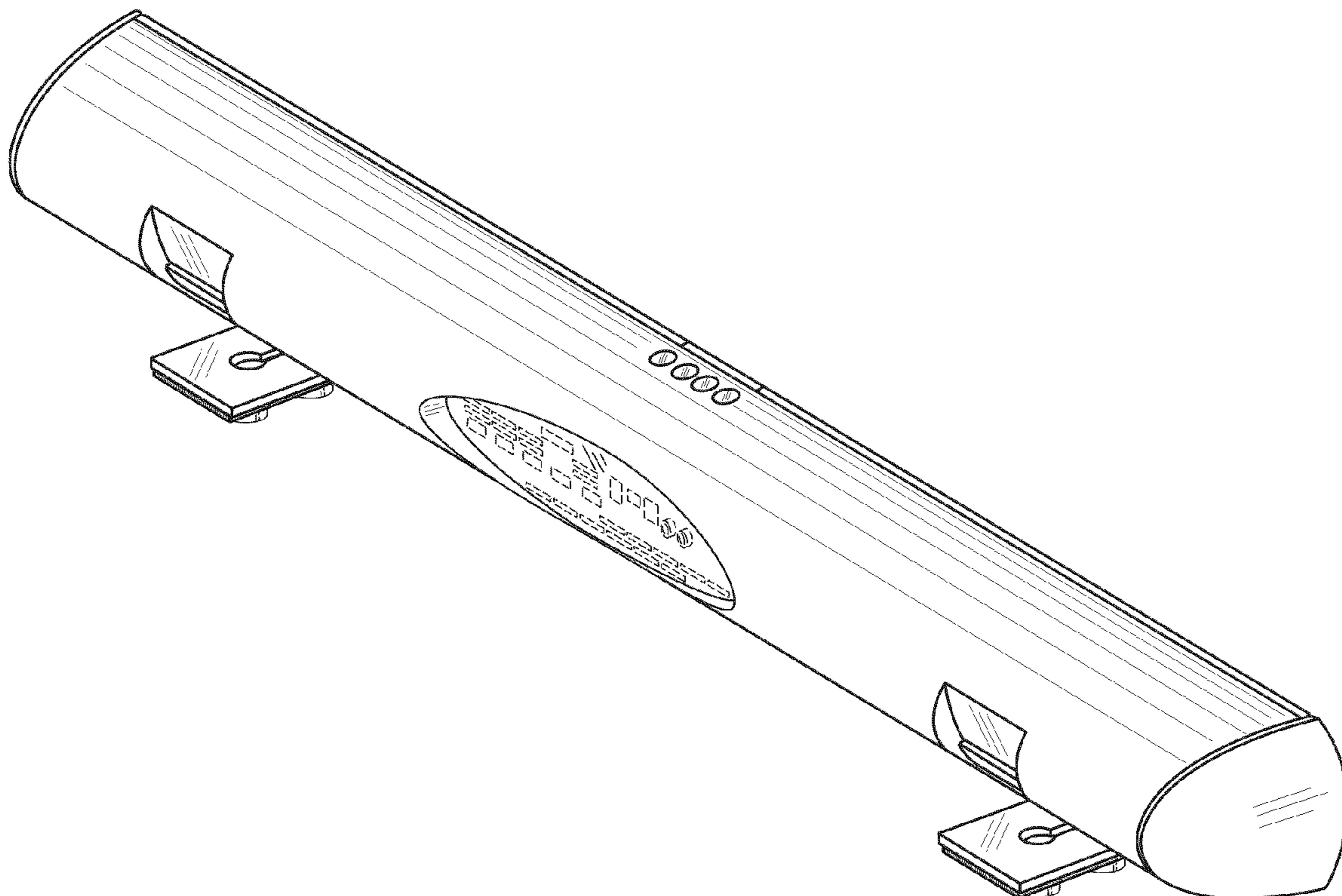
I claim the ornamental design for a sound bar speaker system, as shown and described.

DESCRIPTION

FIG. 1 is a rear perspective view of a sound bar speaker system showing my new design;
FIG. 2 is a front view thereof;
FIG. 3 is a rear view thereof;
FIG. 4 is a left-side view thereof;
FIG. 5 is a right-side view thereof;
FIG. 6 is a bottom view thereof; and,
FIG. 7 is a top view thereof.

The broken lines depicting a plurality of connectors and controls in FIGS. 1 and 3 are for illustrative purposes only and form no part of the claimed design.

1 Claim, 7 Drawing Sheets



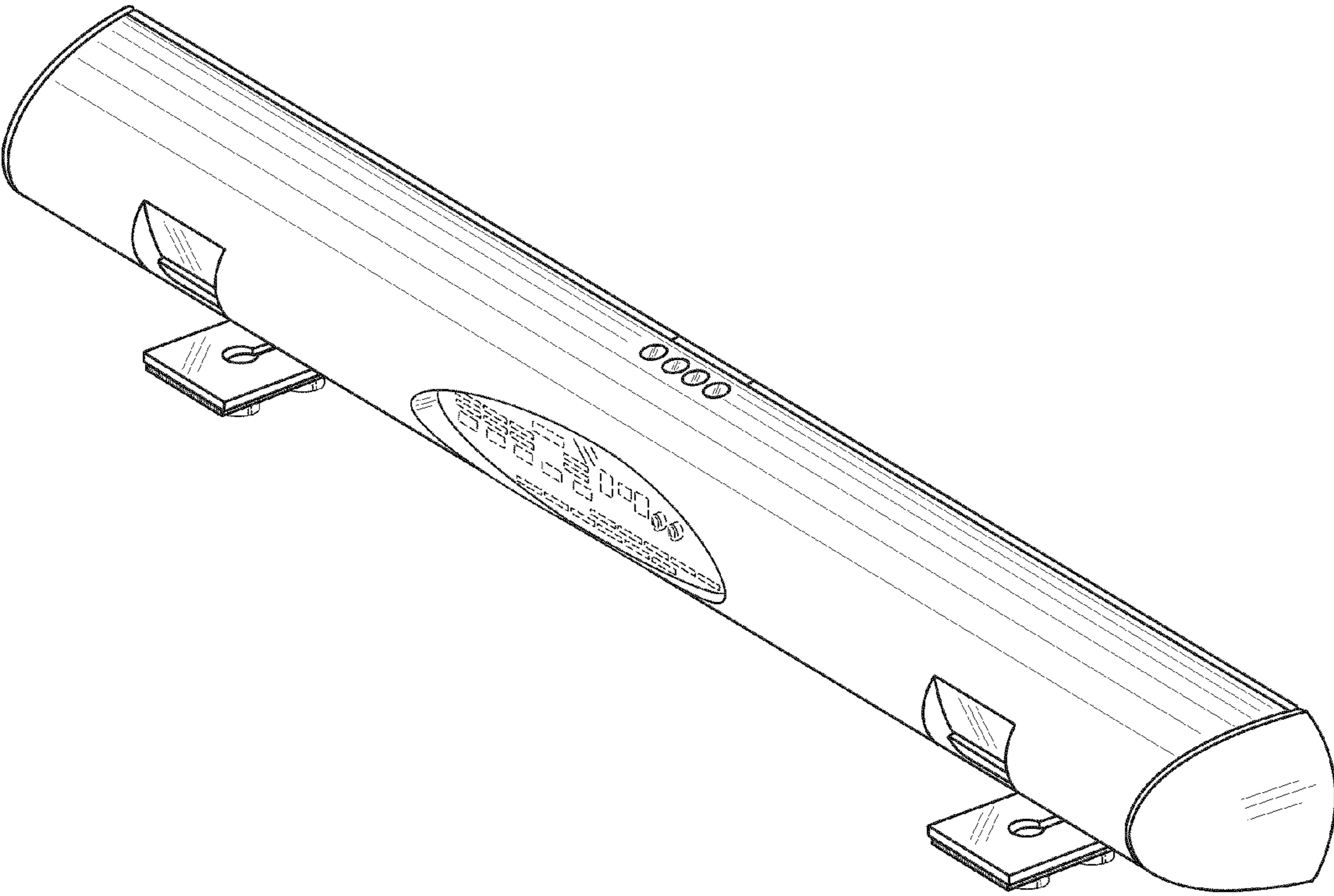


FIG.1

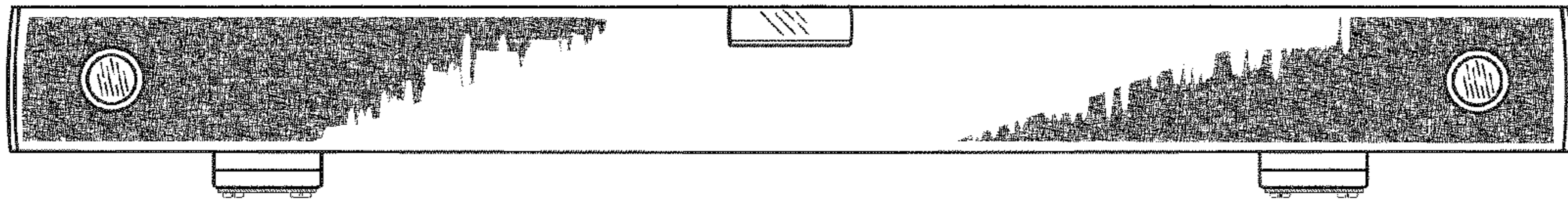


FIG.2

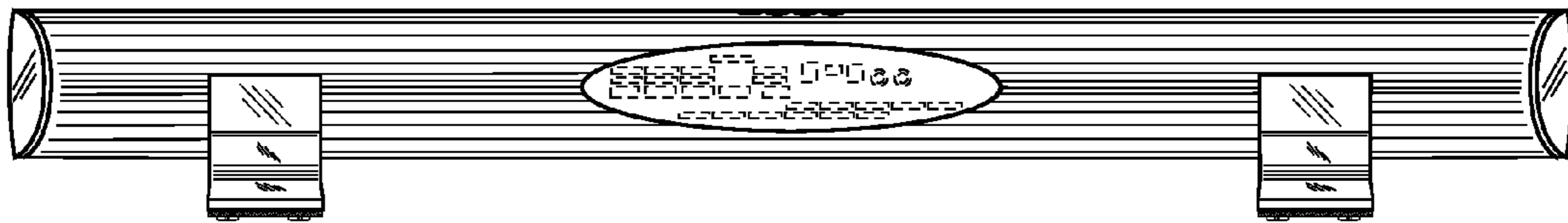


FIG. 3

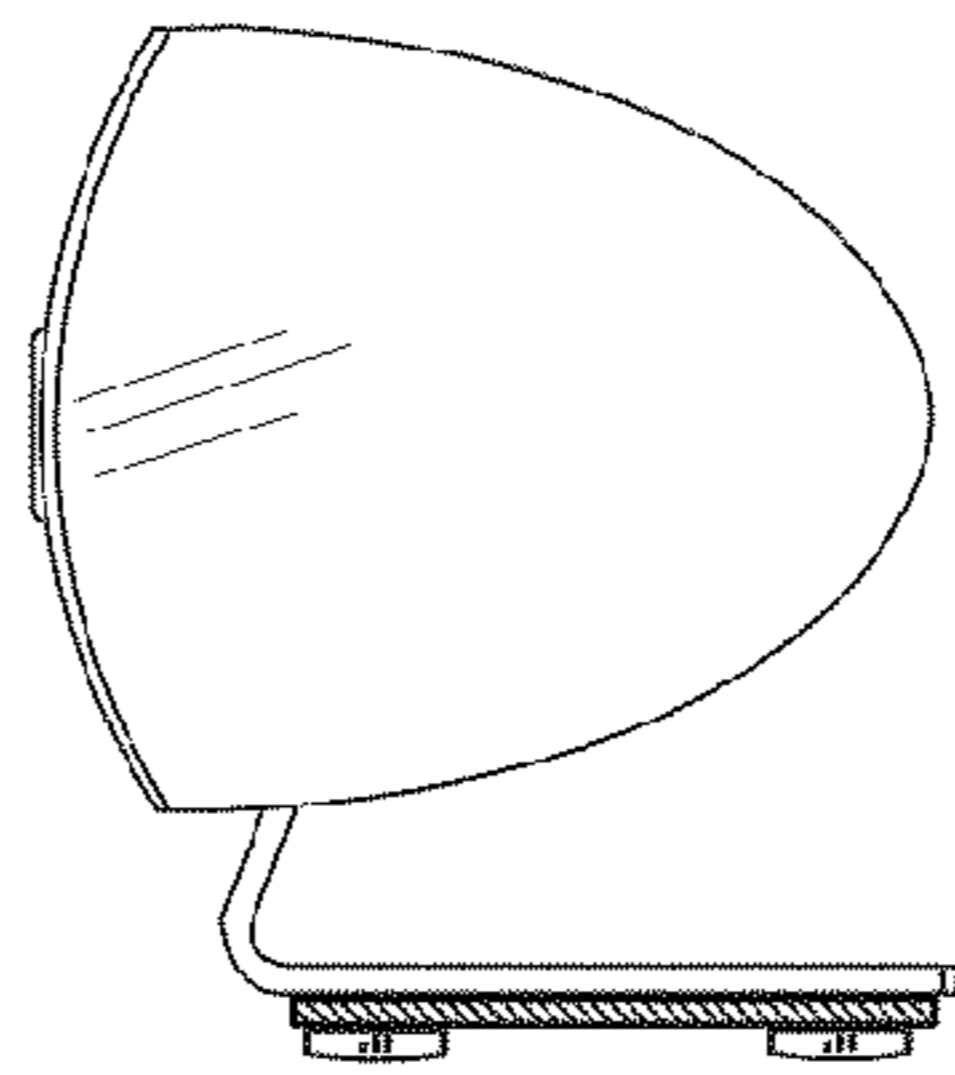


FIG.4

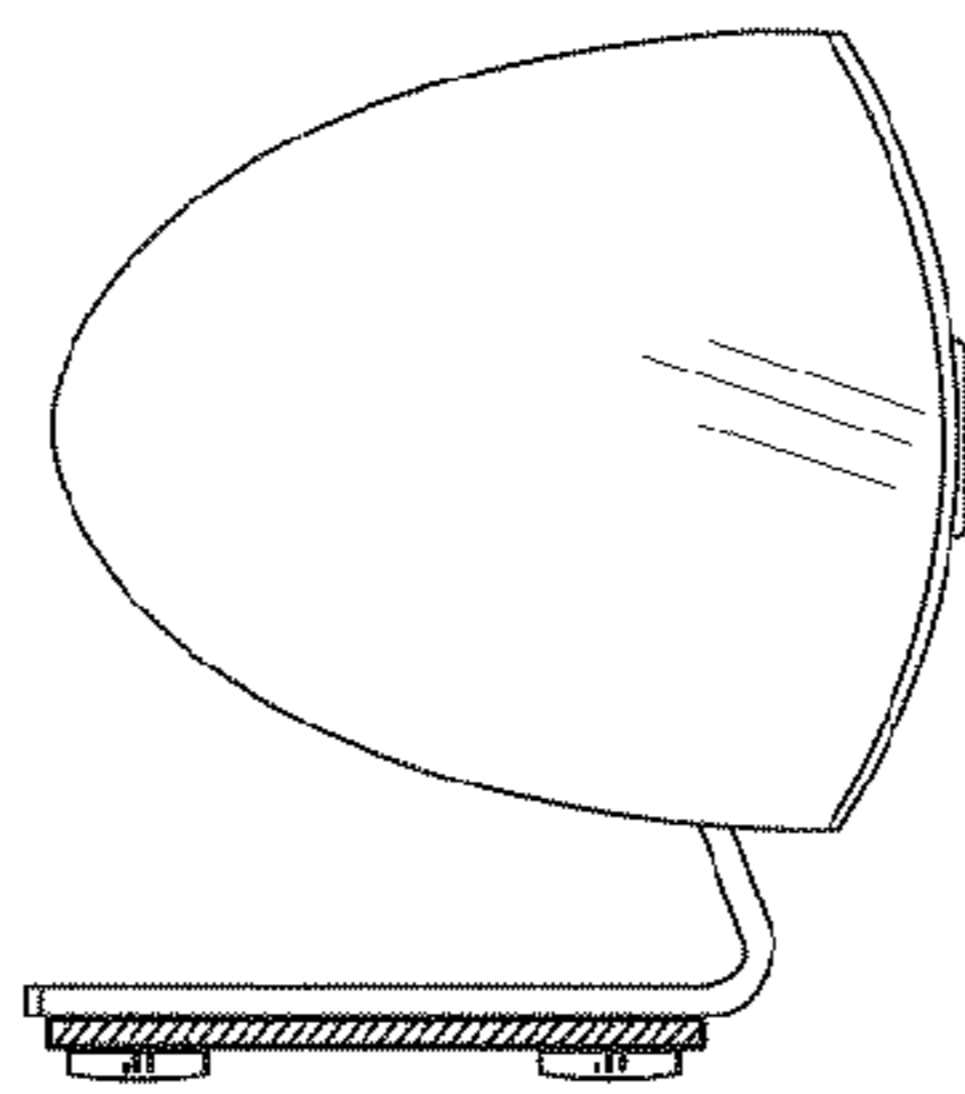


FIG. 5

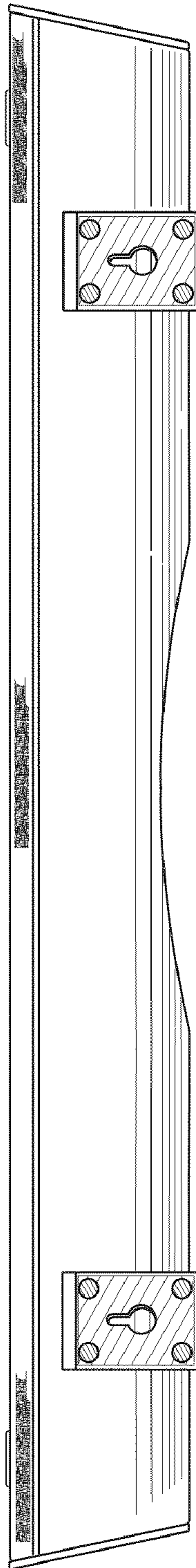


FIG.6

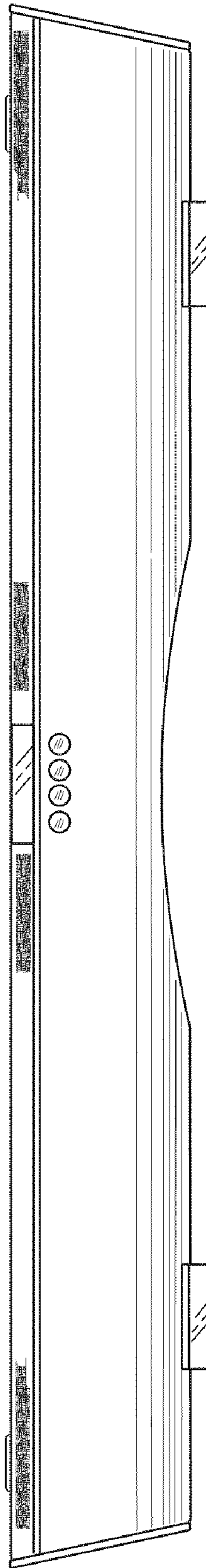


FIG.7