



US00D654906S

(12) **United States Design Patent**  
**Warden et al.**

(10) **Patent No.:** **US D654,906 S**

(45) **Date of Patent:** **\*\* Feb. 28, 2012**

(54) **LOUDSPEAKER**

(75) Inventors: **Robert A. Warden**, Southborough, MA  
(US); **Randy J. Kulchy**, Shrewsbury,  
MA (US); **Peter C. Santoro**, Shirley,  
MA (US); **Willy Chung**, Waltham, MA  
(US)

(73) Assignee: **Bose Corporation**, Framingham, MA  
(US)

(\*\*) Term: **14 Years**

(21) Appl. No.: **29/376,288**

(22) Filed: **Oct. 5, 2010**

(51) **LOC (9) Cl.** ..... **14-01**

(52) **U.S. Cl.** ..... **D14/214**

(58) **Field of Classification Search** ..... D14/204,  
D14/210–216, 172; 181/143–144, 147–148,  
181/150–153, 157, 166, 198–199; 381/300–303,  
381/306, 332–333, 336, 345, 361–364, 386–388

See application file for complete search history.

(56) **References Cited**

U.S. PATENT DOCUMENTS

5,000,286	A	*	3/1991	Crawford et al.	181/145
D317,919	S	*	7/1991	Kawanabe	D14/239
D395,888	S	*	7/1998	Fenner et al.	D14/214
D484,484	S	*	12/2003	Green	D14/204
D531,986	S	*	11/2006	Azumi et al.	D14/214
D560,207	S	*	1/2008	Hawkins et al.	D14/214
D589,940	S	*	4/2009	Jacobs et al.	D14/214

\* cited by examiner

*Primary Examiner* — Nanda Bondade

(57) **CLAIM**

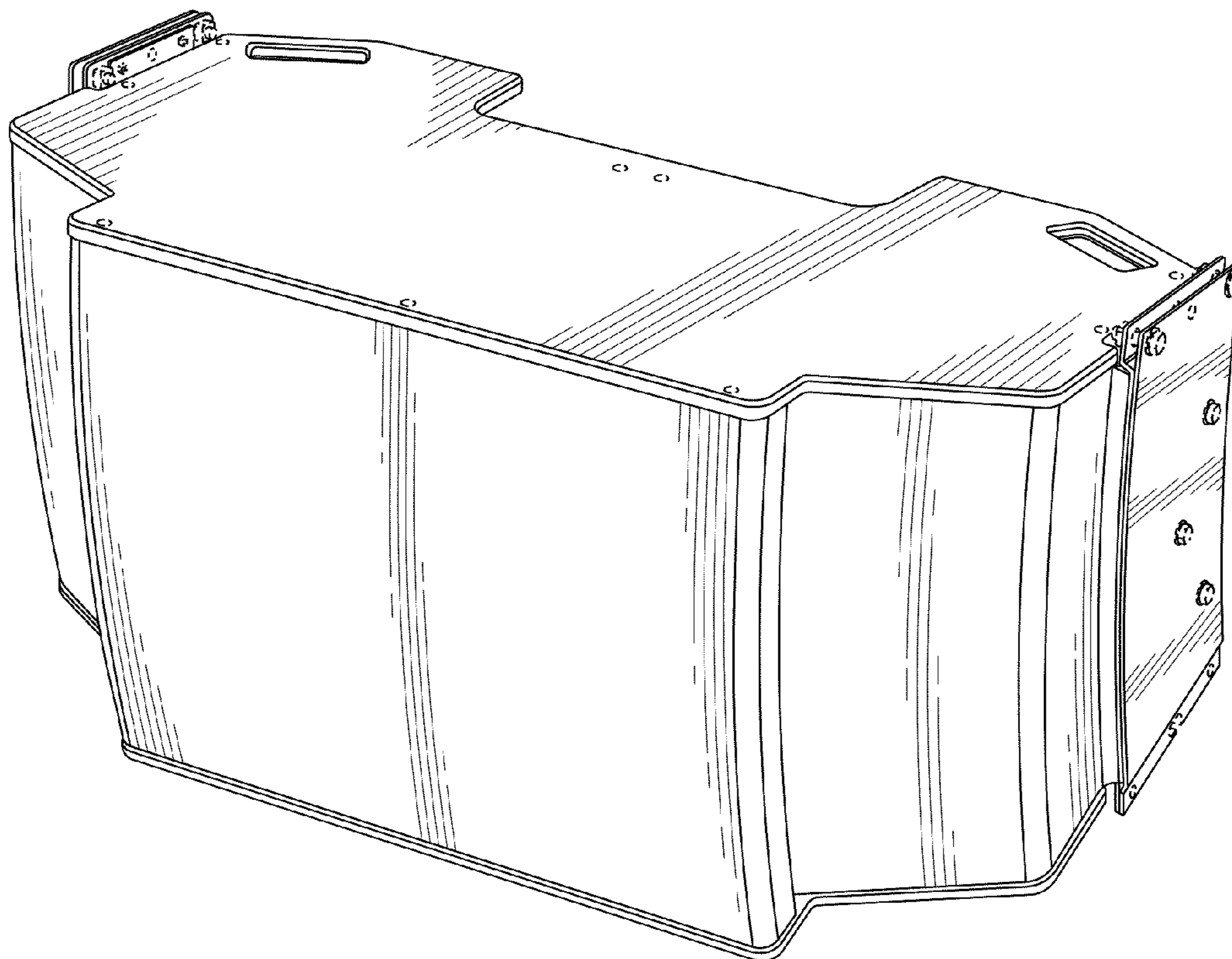
The ornamental design for a loudspeaker, substantially as shown and described.

**DESCRIPTION**

FIG. 1 is a perspective view of our new design as seen from the front, top and right side of the loudspeaker; FIG. 2 is a front view thereof; FIG. 3 is a back view thereof; FIG. 4 is a top view thereof; FIG. 5 is a bottom view thereof; FIG. 6 is a left side view thereof; and, FIG. 7 is a right side view thereof.

The broken lines shown in the figures are for environmental purposes only and form no part of the claimed design.

**1 Claim, 6 Drawing Sheets**



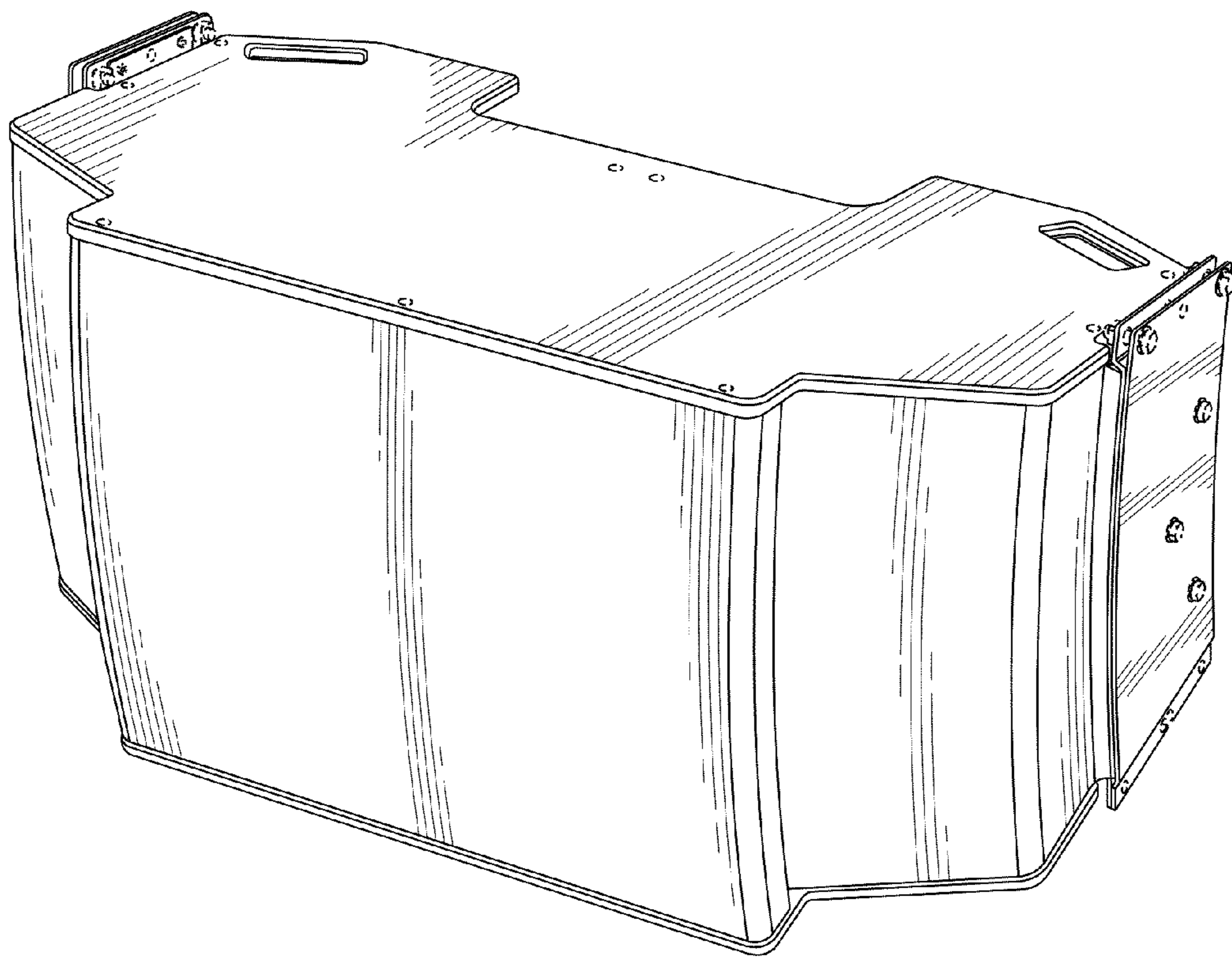


FIG. 1

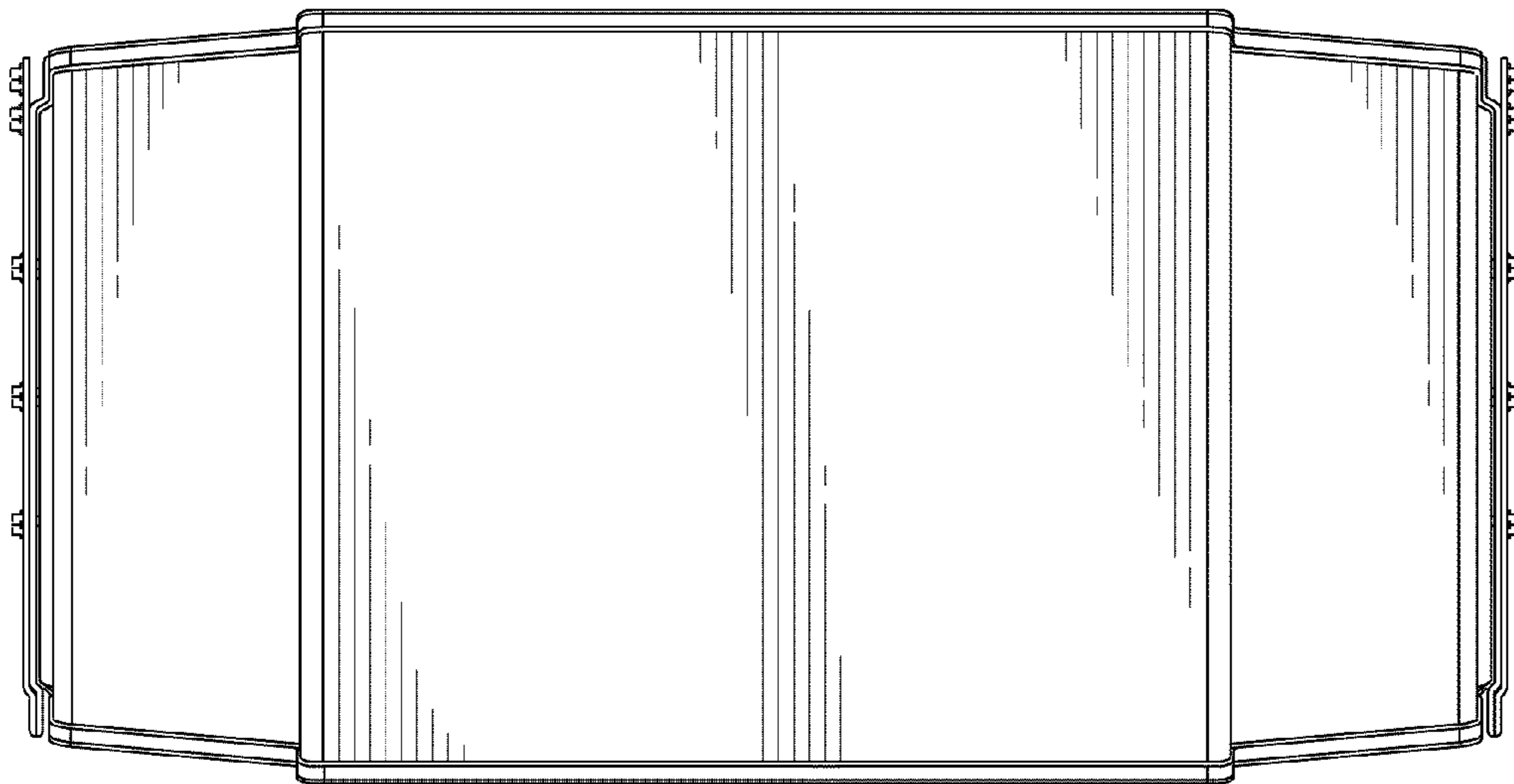


FIG. 2

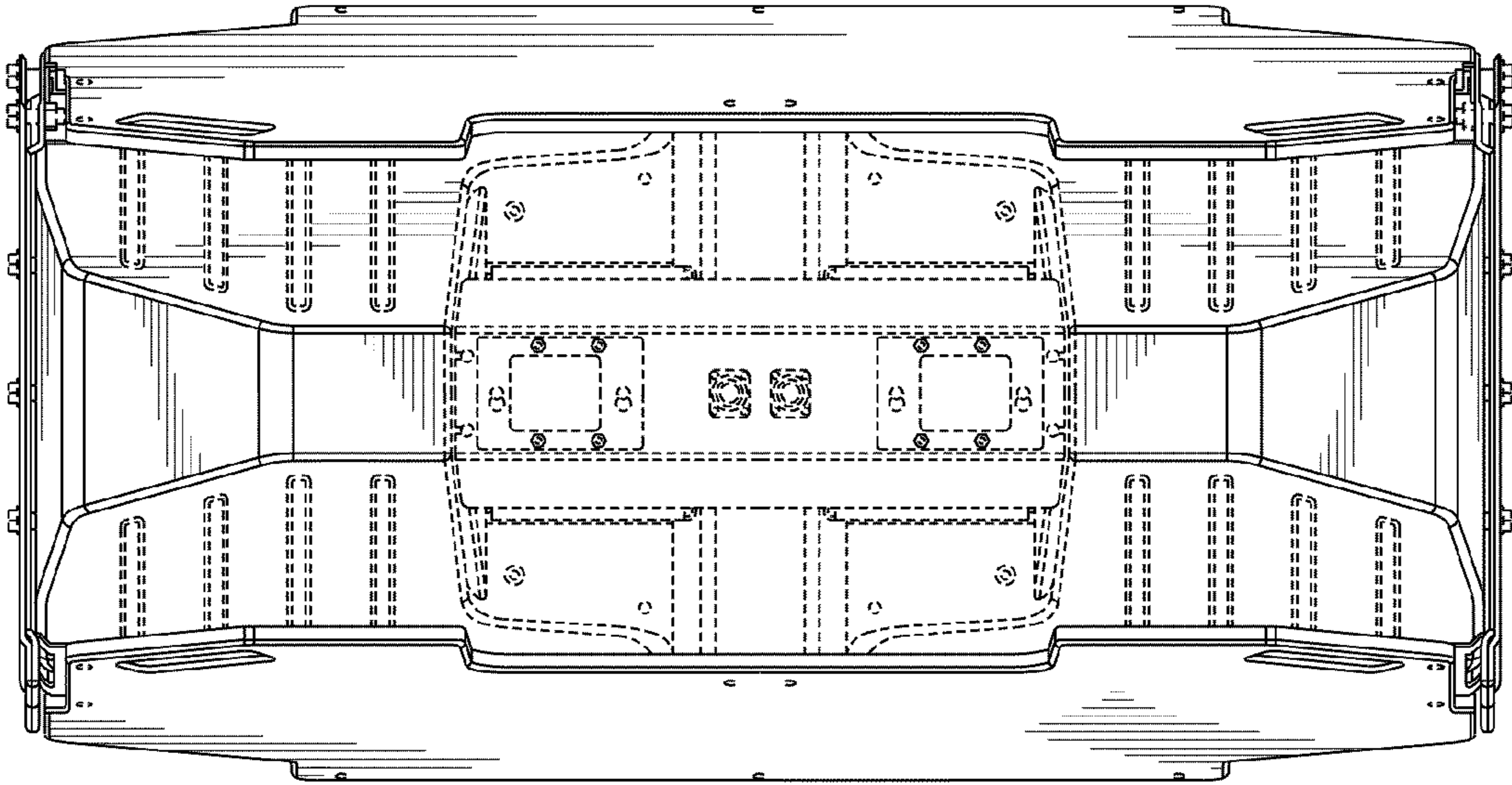


FIG. 3

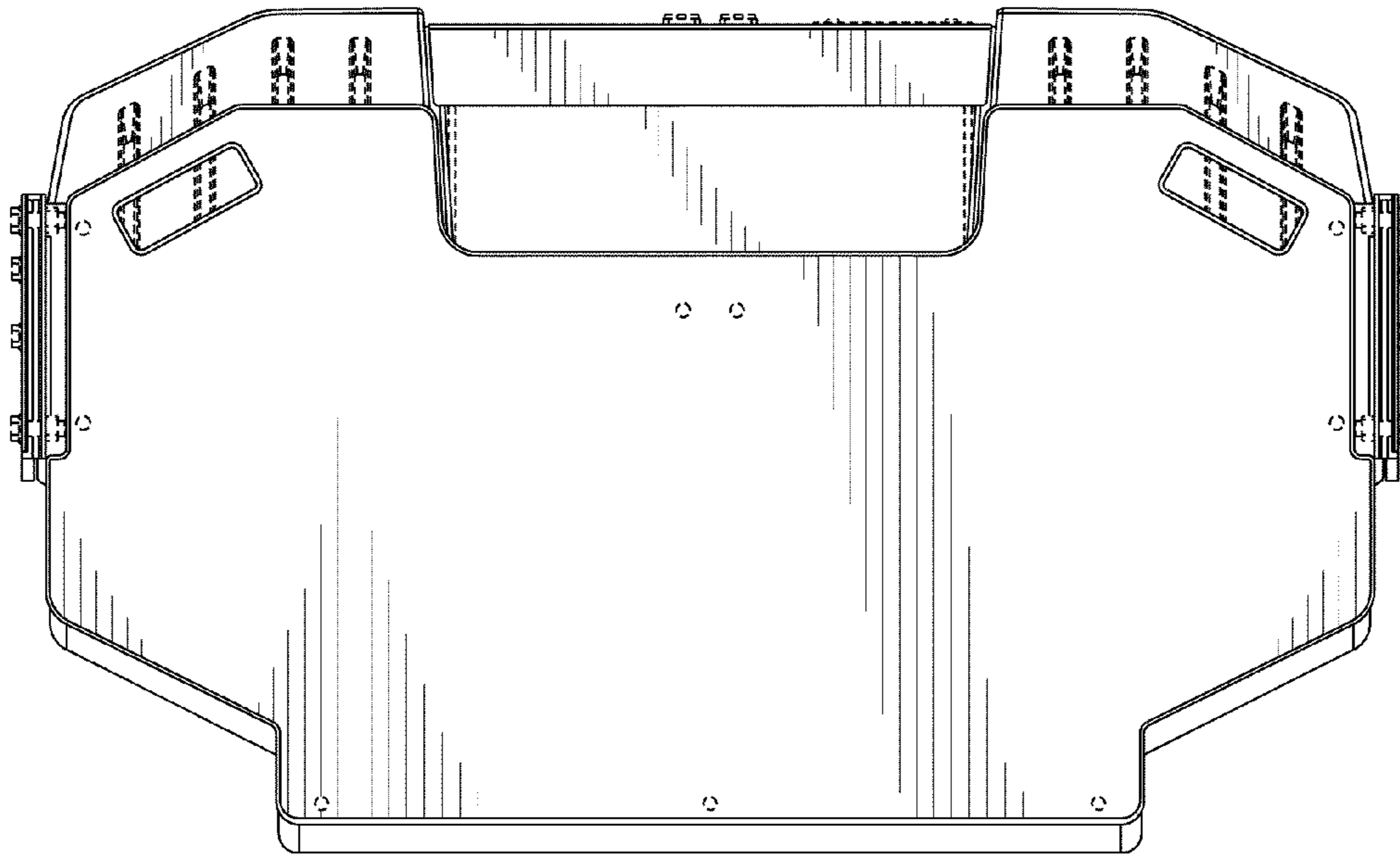


FIG. 4

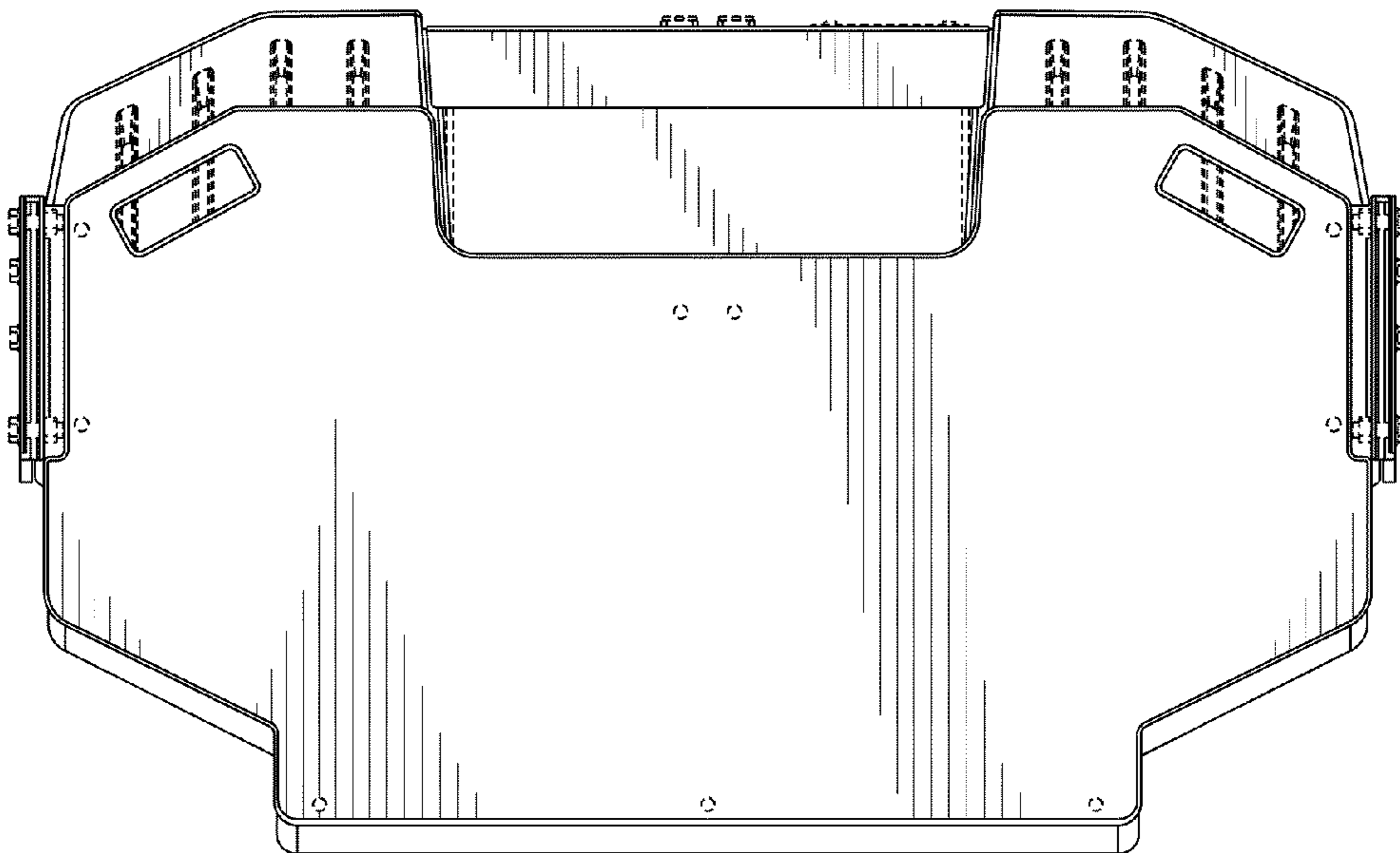


FIG. 5

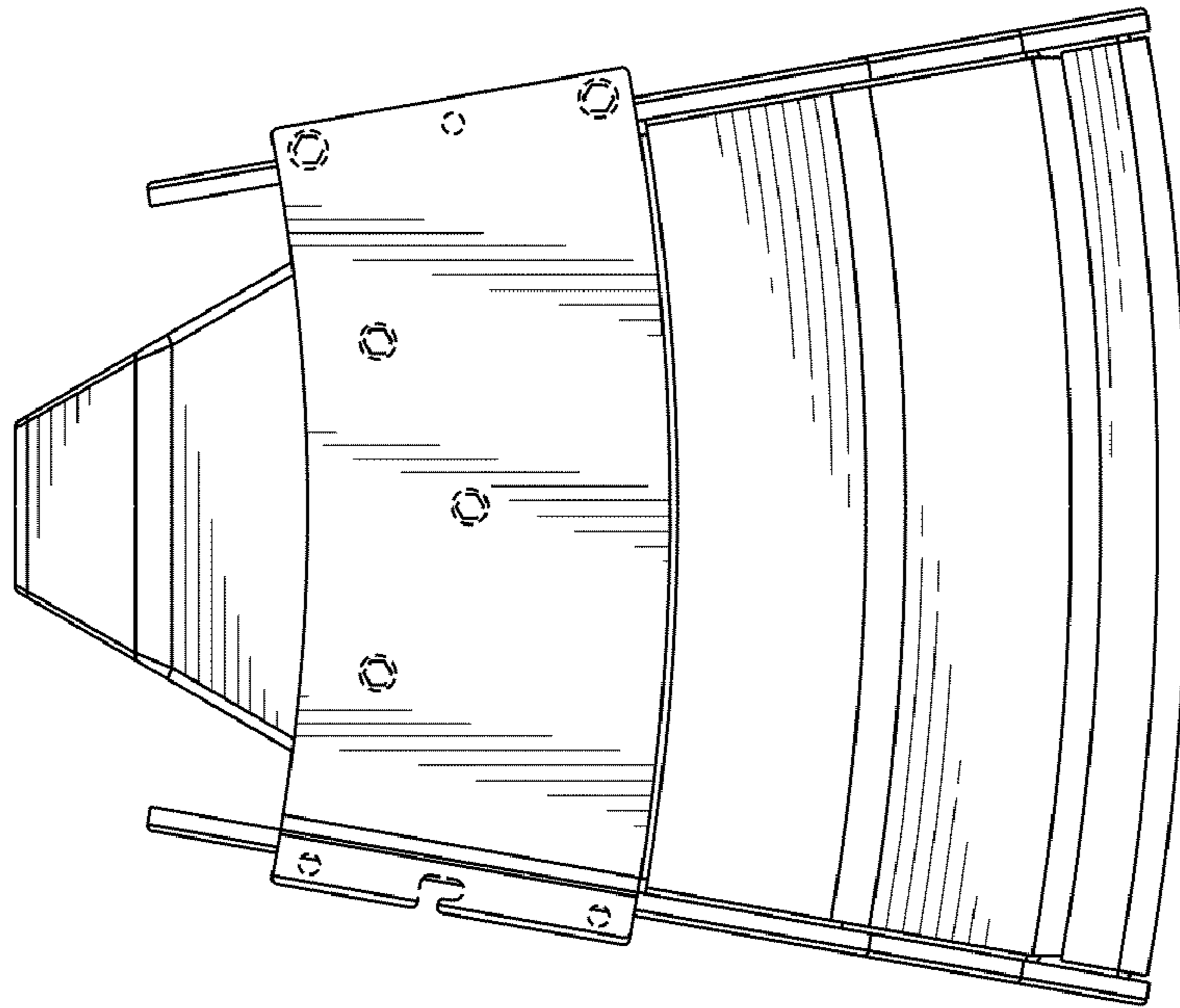


FIG. 6

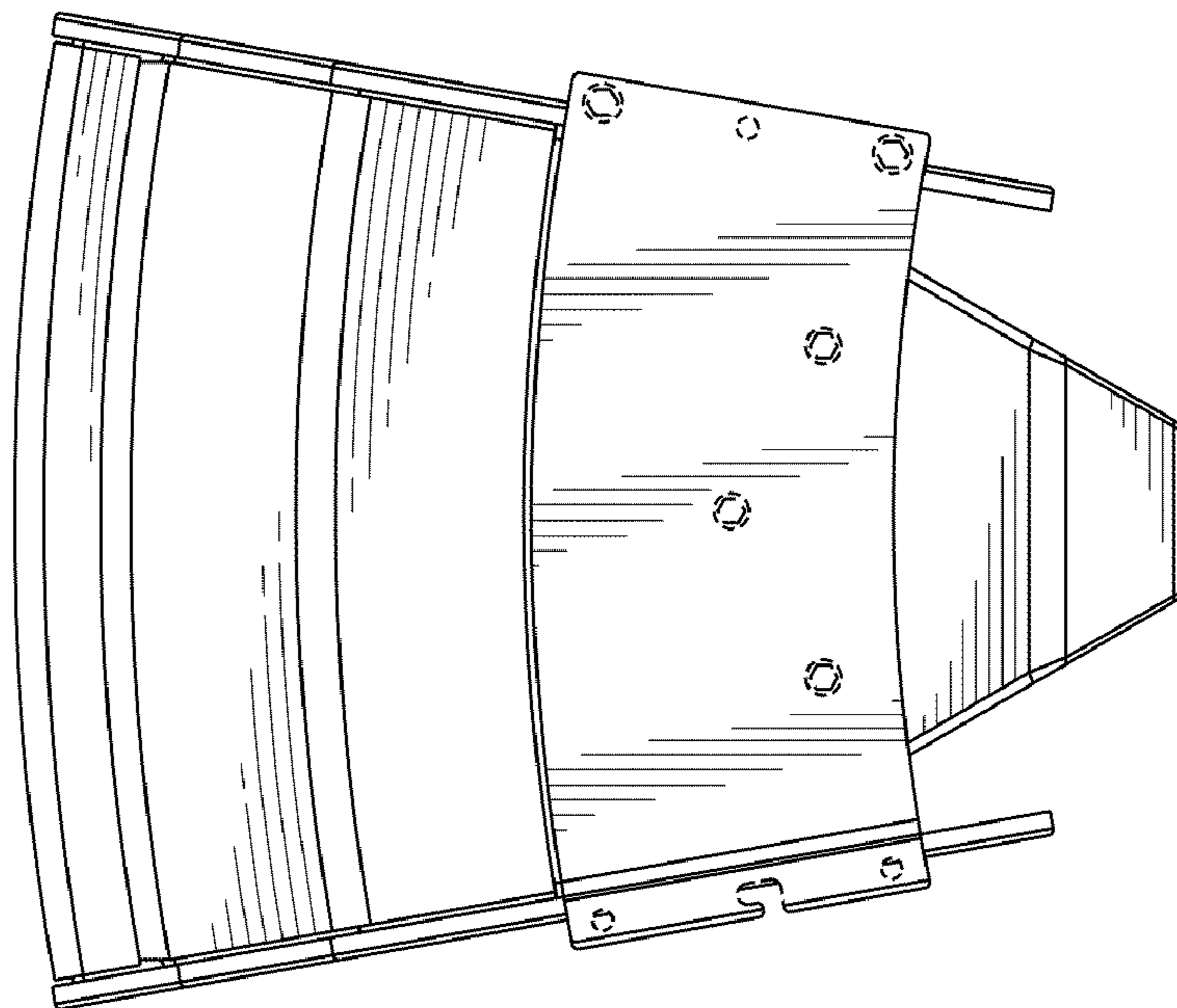


FIG. 7