

US00D654903S

(12) **United States Design Patent**
Chung

(10) **Patent No.:** **US D654,903 S**

(45) **Date of Patent:** **** Feb. 28, 2012**

(54) **MOBILE PHONE**

(75) Inventor: **Jin-Man Chung**, Goyang-si (KR)

(73) Assignee: **Samsung Electronics Co., Ltd.** (KR)

(**) Term: **14 Years**

(21) Appl. No.: **29/398,124**

(22) Filed: **Jul. 26, 2011**

(30) **Foreign Application Priority Data**

Apr. 22, 2011 (KR) 30-2011-0016586

(51) **LOC (9) Cl.** **14-03**

(52) **U.S. Cl.** **D14/138 AD**

(58) **Field of Classification Search** D14/138 AD,
D14/138 G, 138 R, 138 AC, 138 C, 496,
D14/341, 345, 346, 203.7, 247, 248, 218,
D14/138 AA, 138 AB; 455/575.1, 556.2,
455/556.1, 575.4, 566; D10/65; D13/168

See application file for complete search history.

(56) **References Cited**

U.S. PATENT DOCUMENTS

D565,596 S *	4/2008	Kim	D14/496
D568,286 S *	5/2008	Suk et al.	D14/138 G
D570,321 S *	6/2008	Choi et al.	D14/138 AD
D579,437 S *	10/2008	Yoon	D14/138 G
D580,393 S *	11/2008	Kim et al.	D14/138 AD
D582,379 S *	12/2008	Kim et al.	D14/138 AD
D590,796 S *	4/2009	Kim et al.	D14/138 AD
D592,167 S *	5/2009	Park et al.	D14/138 AD
D592,168 S *	5/2009	Bai et al.	D14/138 G
D598,426 S *	8/2009	Kim et al.	D14/203.7
D605,158 S *	12/2009	Hung et al.	D14/138 G
D611,048 S *	3/2010	Wood et al.	D14/341
D615,948 S *	5/2010	Park et al.	D14/138 AD
D617,758 S *	6/2010	Zhao	D14/138 AD

D622,692 S *	8/2010	McWilliam et al.	D14/138 G
D624,042 S *	9/2010	Lee et al.	D14/138 AD
D631,028 S *	1/2011	Park et al.	D14/138 G
D631,030 S *	1/2011	Park et al.	D14/138 G
D632,663 S *	2/2011	Oh et al.	D14/138 G
D633,067 S *	2/2011	Park et al.	D14/138 AD

(Continued)

OTHER PUBLICATIONS

Toshiba Windows Phone IS12T telephone, announced Jul. 2011, [online], [site visited Sep. 20, 2011]. Available from Internet, <URL: <http://www.gsmarena.com>>.*

Samsung F490 telephone, announced Jan. 2008, [online], [site visited Sep. 20, 2011]. Available from Internet, <URL: <http://www.gsmarena.com>>.*

(Continued)

Primary Examiner — Jeffrey D Asch

(74) *Attorney, Agent, or Firm* — NSIP Law

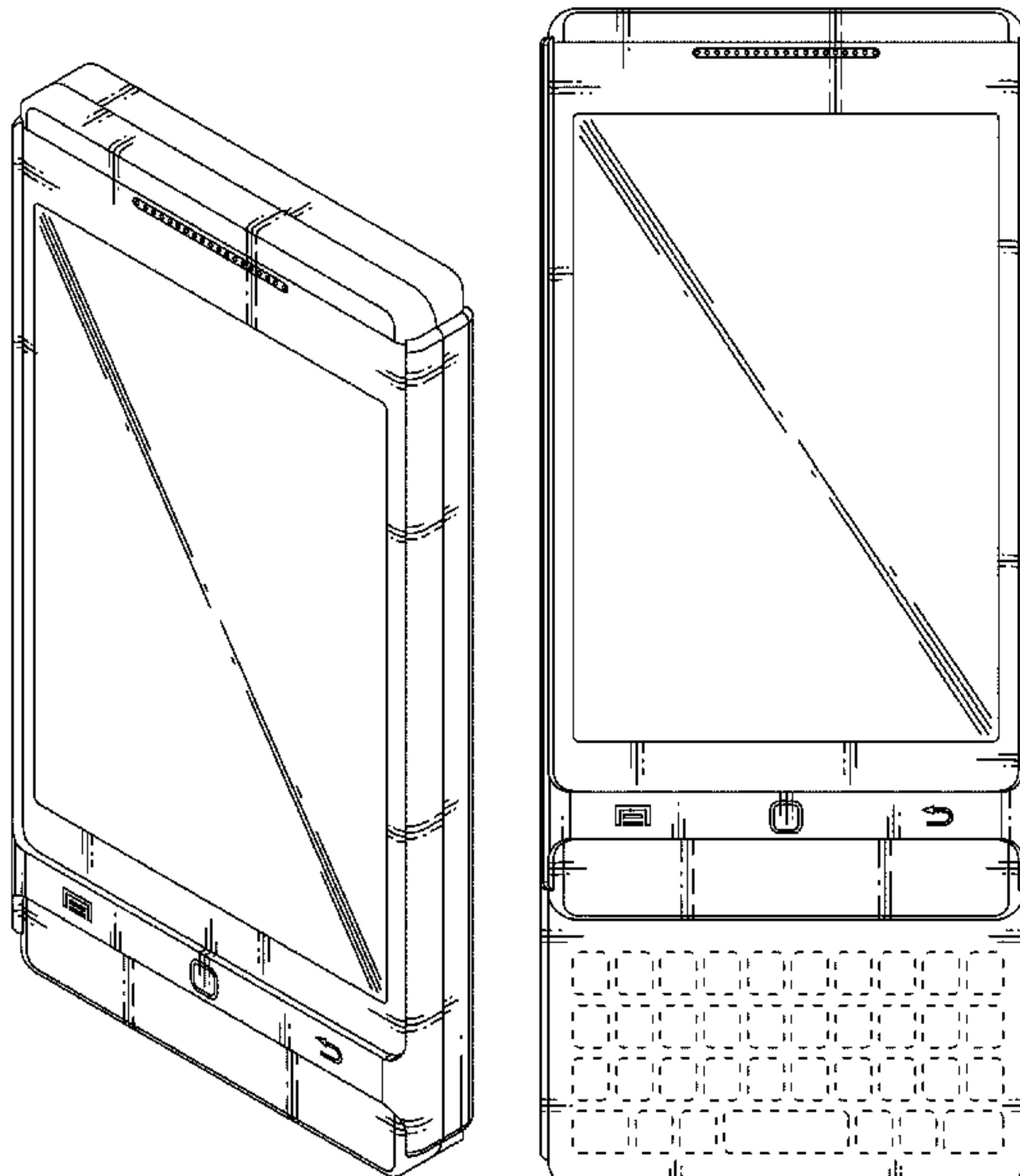
(57) **CLAIM**

The ornamental design for a mobile phone, as shown and described.

DESCRIPTION

FIG. 1 is a perspective view of a mobile phone;
FIG. 2 is a front view of the mobile phone of FIG. 1;
FIG. 3 is a rear view of the mobile phone of FIG. 1;
FIG. 4 is a left-side view of the mobile phone of FIG. 1;
FIG. 5 is a right-side view of the mobile phone of FIG. 1;
FIG. 6 is a top plan view of the mobile phone of FIG. 1;
FIG. 7 is a bottom plan view of the mobile phone of FIG. 1;
and,
FIG. 8 is an open front view of the mobile phone of FIG. 1.
The broken lines showing the keypad in FIG. 8 represent the bounds of the claimed design; the broken lines form no part of the claimed design.

1 Claim, 6 Drawing Sheets



US D654,903 S

Page 2

U.S. PATENT DOCUMENTS

D633,459 S * 3/2011 Suzuki D14/138 G
D635,562 S * 4/2011 Fan et al. D14/248
D635,951 S * 4/2011 Park et al. D14/138 G
D636,751 S * 4/2011 Lee et al. D14/138 AD
D645,440 S * 9/2011 Lee et al. D14/138 AD
2008/0064448 A1 * 3/2008 Huang 455/566
2009/0219259 A1 * 9/2009 Kwon 345/173
2010/0124956 A1 * 5/2010 Hong et al. 455/575.4

OTHER PUBLICATIONS

LG KF755 Secret telephone, announced Apr. 2008, [online], [site visited Sep. 20, 2011]. Available from Internet, <URL: <http://www.gsmarena.com>>.*

NEC N908 telephone, announced Jul. 2006, [online], [site visited Sep. 20, 2011]. Available from Internet, <URL: <http://www.gsmarena.com>>.*

* cited by examiner

FIG. 1

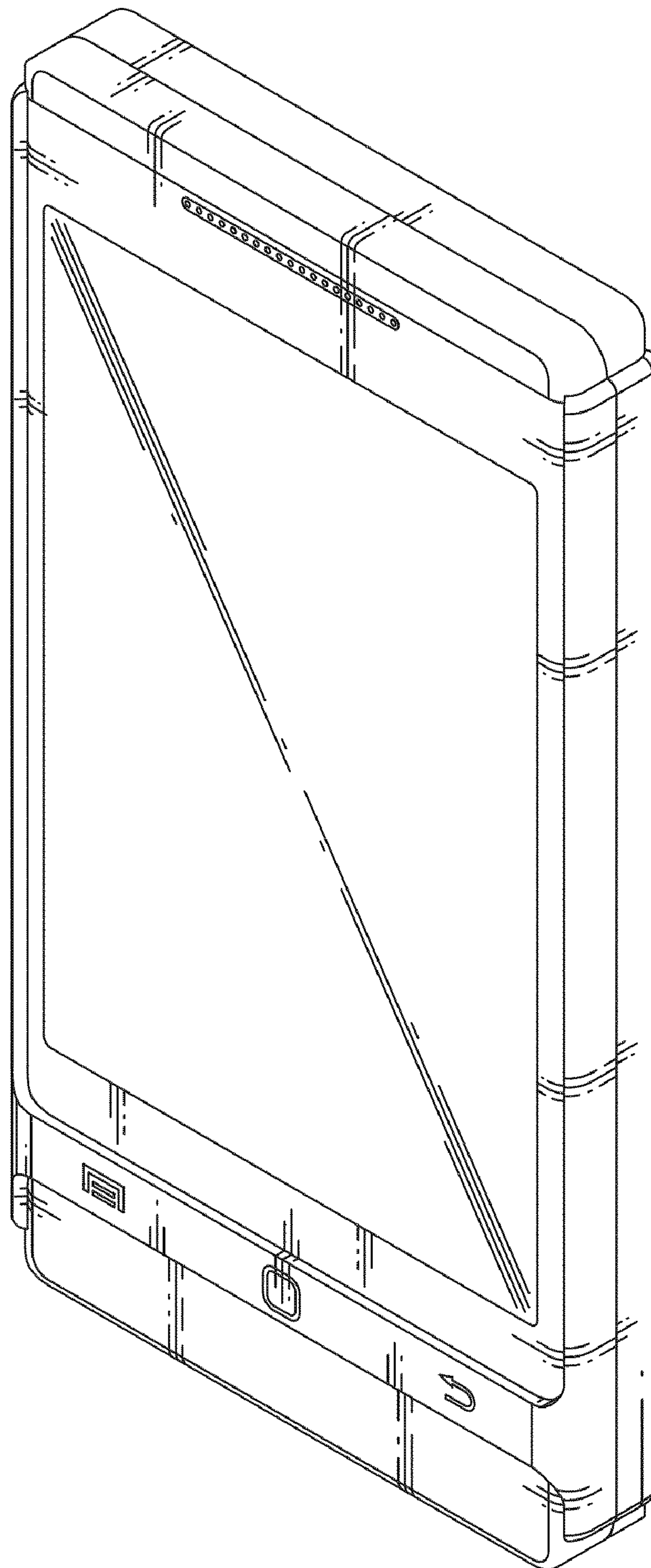


FIG. 2

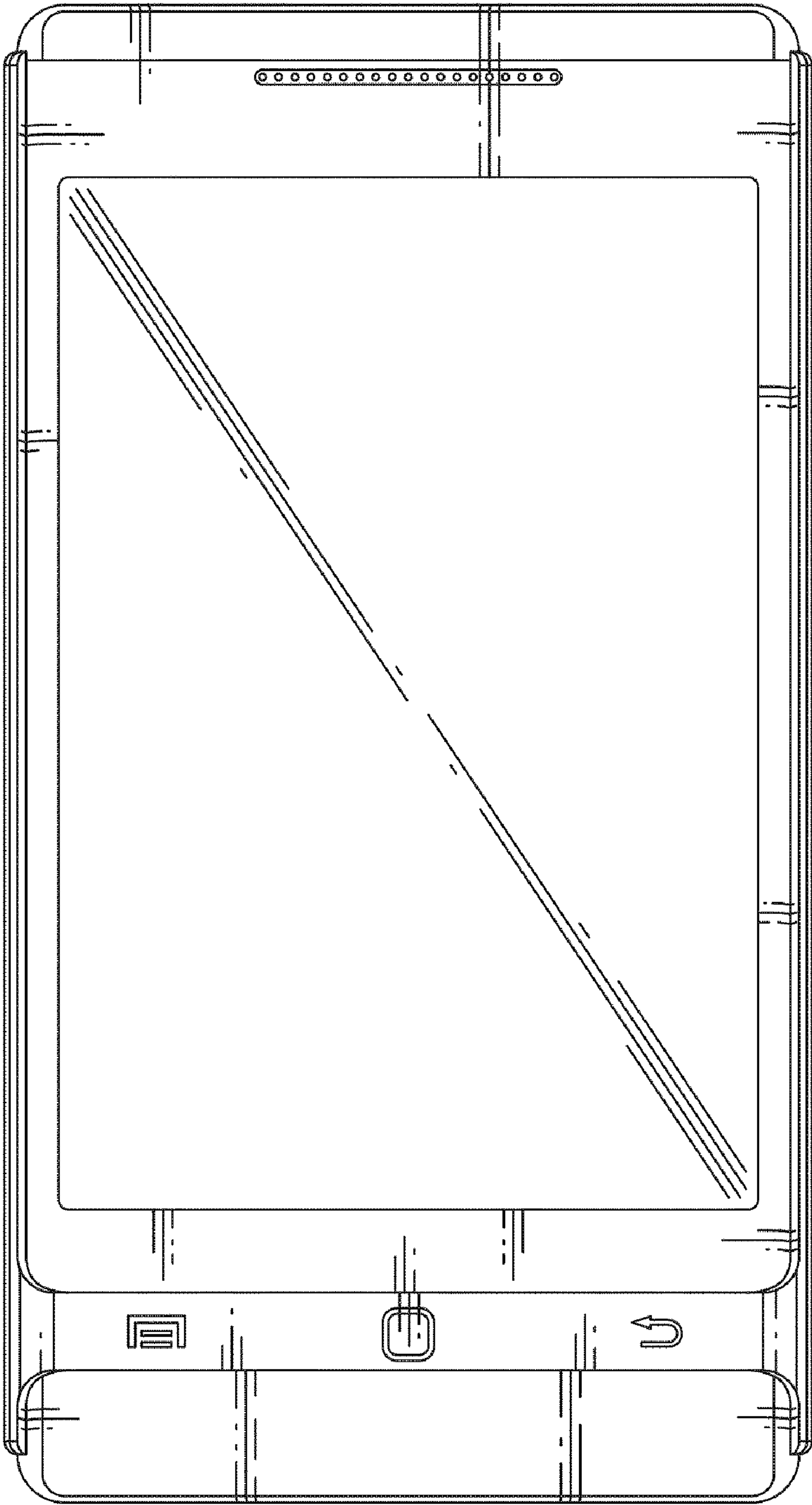


FIG. 3

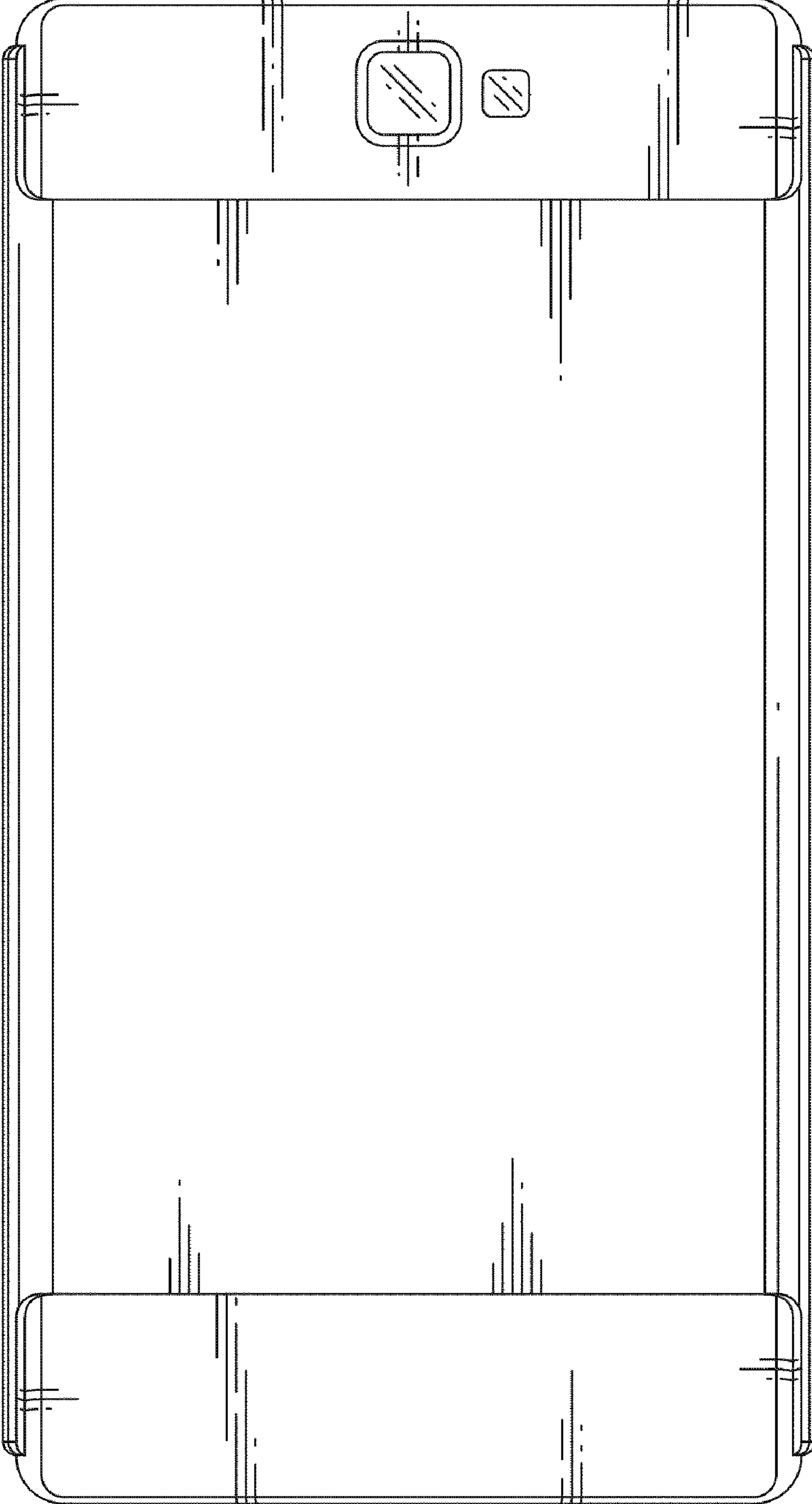


FIG. 4

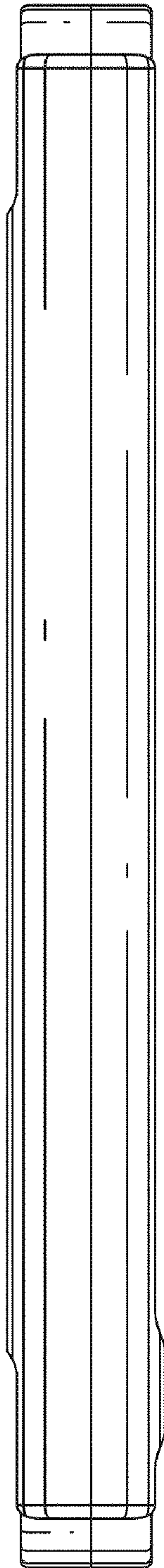


FIG. 5

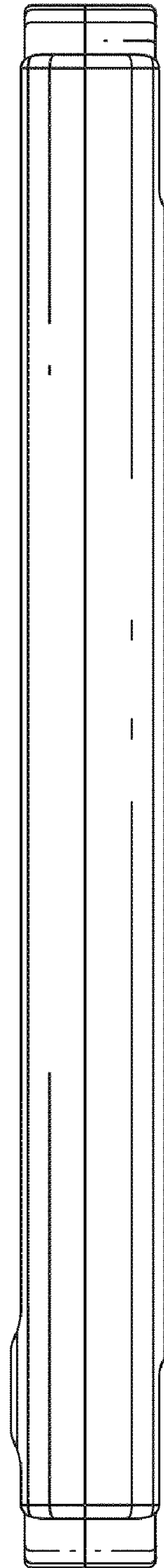


FIG. 6



FIG. 7

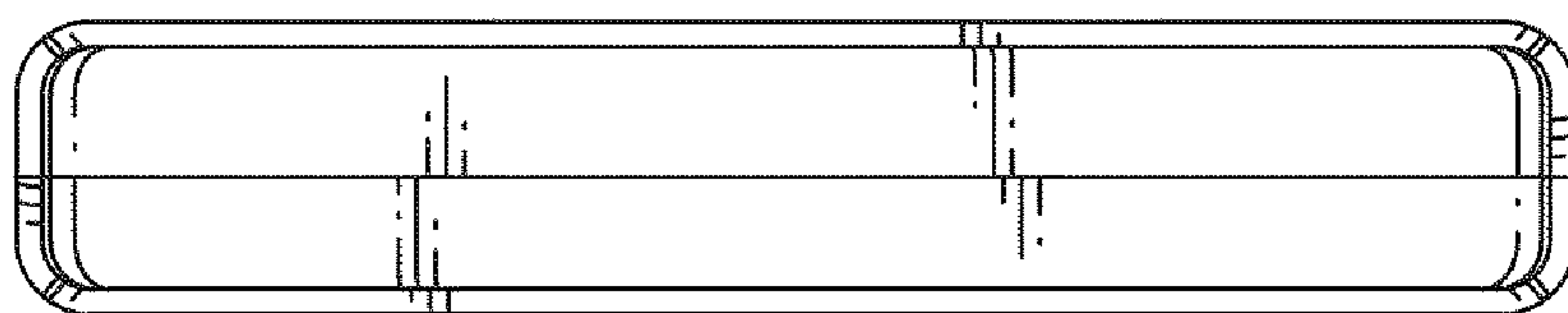


FIG. 8

