



US00D654902S

(12) **United States Design Patent**
Chung

(10) **Patent No.:** **US D654,902 S**

(45) **Date of Patent:** **** Feb. 28, 2012**

(54) **MOBILE PHONE**

(75) Inventor: **Jin-Man Chung**, Goyang-si (KR)

(73) Assignee: **Samsung Electronics Co., Ltd.** (KR)

(**) Term: **14 Years**

(21) Appl. No.: **29/398,119**

(22) Filed: **Jul. 26, 2011**

(30) **Foreign Application Priority Data**

Apr. 22, 2011 (KR) 30-2011-0016581

(51) **LOC (9) Cl.** **14-03**

(52) **U.S. Cl.** **D14/138 AD**

(58) **Field of Classification Search** D14/138 AD,
D14/138 G, 138 R, 138 AC, 138 C, 496,
D14/341, 345, 346, 203.7, 247, 248, 218,
D14/138 AA, 138 AB; 455/575.1, 556.2,
455/556.1, 575.4, 566; D10/65; D13/168
See application file for complete search history.

(56) **References Cited**

U.S. PATENT DOCUMENTS

- D514,590 S * 2/2006 Naruki D14/203.3
- D565,596 S * 4/2008 Kim D14/496
- D565,599 S * 4/2008 Jang et al. D14/496
- D568,286 S * 5/2008 Suk et al. D14/138 G
- D570,321 S * 6/2008 Choi et al. D14/138 AD
- D579,437 S * 10/2008 Yoon D14/138 G
- D580,393 S * 11/2008 Kim et al. D14/138 AD
- D582,379 S * 12/2008 Kim et al. D14/138 AD
- D590,796 S * 4/2009 Kim et al. D14/138 AD
- D592,167 S * 5/2009 Park et al. D14/138 AD
- D592,168 S * 5/2009 Bai et al. D14/138 G
- D593,552 S * 6/2009 Ferrari et al. D14/341
- D598,447 S * 8/2009 Hamada et al. D14/345
- D605,158 S * 12/2009 Hung et al. D14/138 G

(Continued)

OTHER PUBLICATIONS

Toshiba Windows Phone IS12T telephone, announced Jul. 2011, [online], [site visited Sep. 20, 2011]. Available from Internet, <URL: <http://www.gsmarena.com>>.*

(Continued)

Primary Examiner — Jeffrey D Asch

(74) *Attorney, Agent, or Firm* — NSIP Law

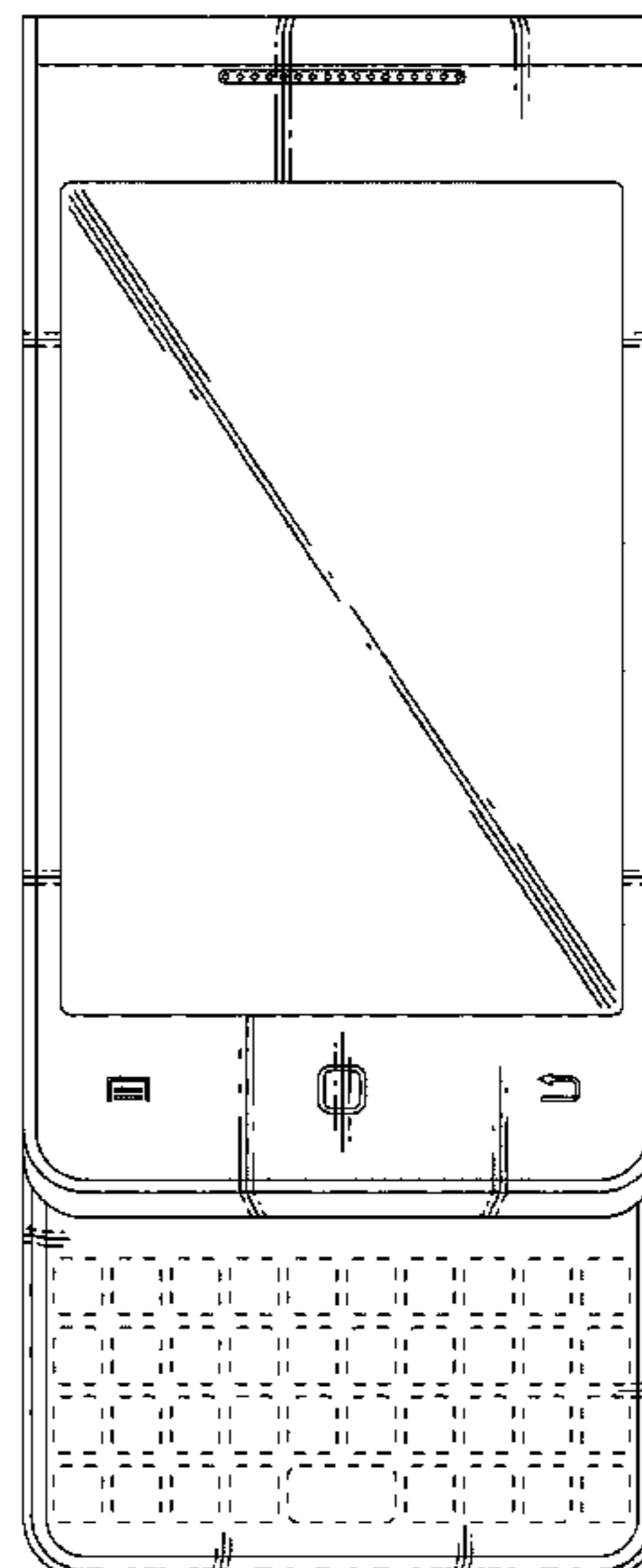
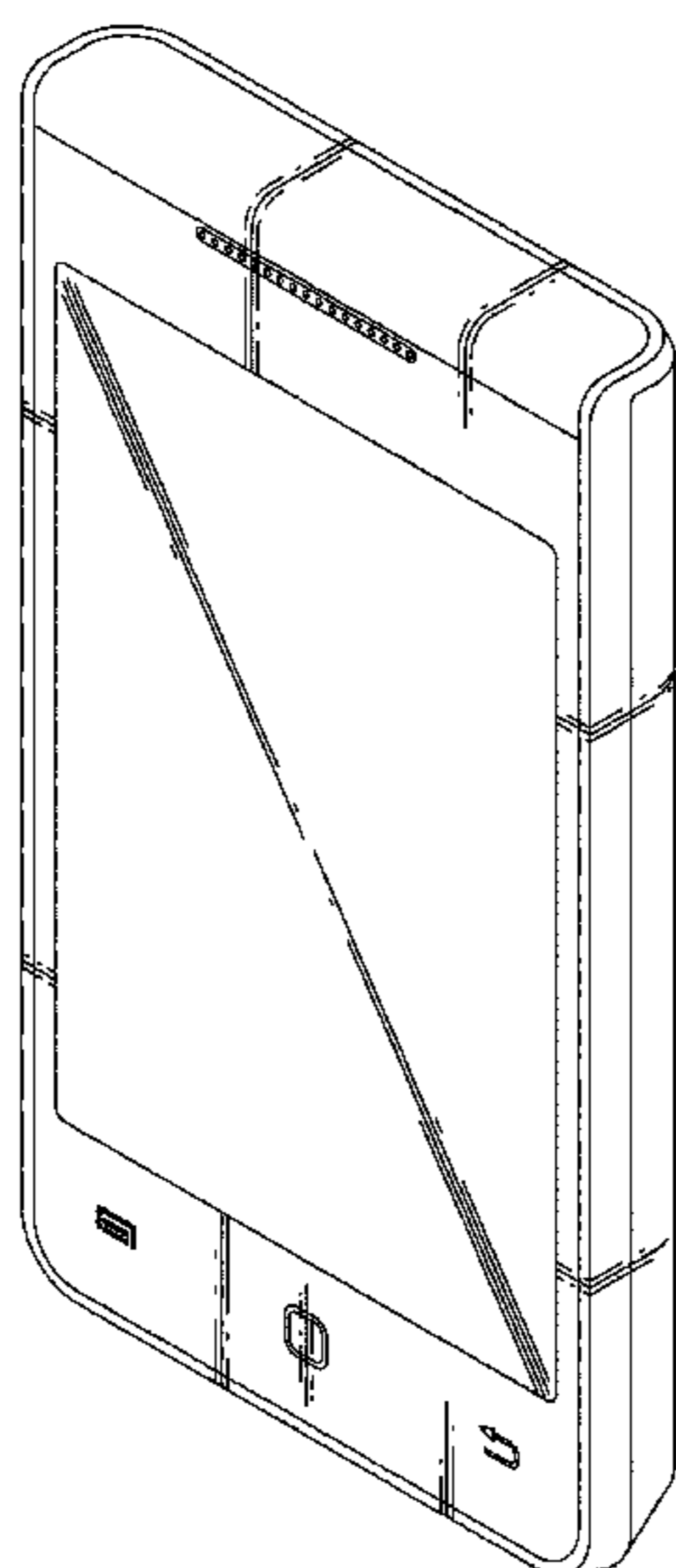
(57) **CLAIM**

The ornamental design for a mobile phone, as shown and described.

DESCRIPTION

FIG. 1 is a perspective view of a mobile phone; FIG. 2 is a front view of the mobile phone of FIG. 1; FIG. 3 is a rear view of the mobile phone of FIG. 1; FIG. 4 is a left-side view of the mobile phone of FIG. 1; FIG. 5 is a right-side view of the mobile phone of FIG. 1; FIG. 6 is a top plan view of the mobile phone of FIG. 1; FIG. 7 is a bottom plan view of the mobile phone of FIG. 1; FIG. 8 is a front view of the mobile phone of FIG. 1 in its open state; FIG. 9 is a rear view of the mobile phone of FIG. 1 in its open state; FIG. 10 is another left-side view of the mobile phone of FIG. 1 in its open state; and, FIG. 11 is another right-side view of the mobile phone of FIG. 1 in its open state. The broken lines showing the keypad in FIG. 8 represent the bounds of the claimed design; the broken lines form no part of the claimed design.

1 Claim, 8 Drawing Sheets



US D654,902 S

Page 2

U.S. PATENT DOCUMENTS

D608,322 S * 1/2010 Kim D14/138 G
D611,048 S * 3/2010 Wood et al. D14/341
D615,948 S * 5/2010 Park et al. D14/138 AD
D622,692 S * 8/2010 McWilliam et al. D14/138 G
D624,042 S * 9/2010 Lee et al. D14/138 AD
D630,629 S * 1/2011 Seifert et al. D14/341
D632,663 S * 2/2011 Oh et al. D14/138 G
D633,457 S * 3/2011 Park et al. D14/138 AD
D633,459 S * 3/2011 Suzuki D14/138 G
D636,751 S * 4/2011 Lee et al. D14/138 AD
2008/0064448 A1* 3/2008 Huang 455/566

2009/0219259 A1* 9/2009 Kwon 345/173
2010/0124956 A1* 5/2010 Hong et al. 455/575.4
2011/0201389 A1* 8/2011 Allen et al. 455/566

OTHER PUBLICATIONS

Samsung F490 telephone, announced Jan. 2008, [online], [site visited Sep. 20, 2011]. Available from Internet, <URL: <http://www.gsmarena.com>>.*
LG KF755 Secret telephone, announced Apr. 2008, [online], [site visited Sep. 20, 2011]. Available from Internet, <URL: <http://www.gsmarena.com>>.*

* cited by examiner

FIG. 1

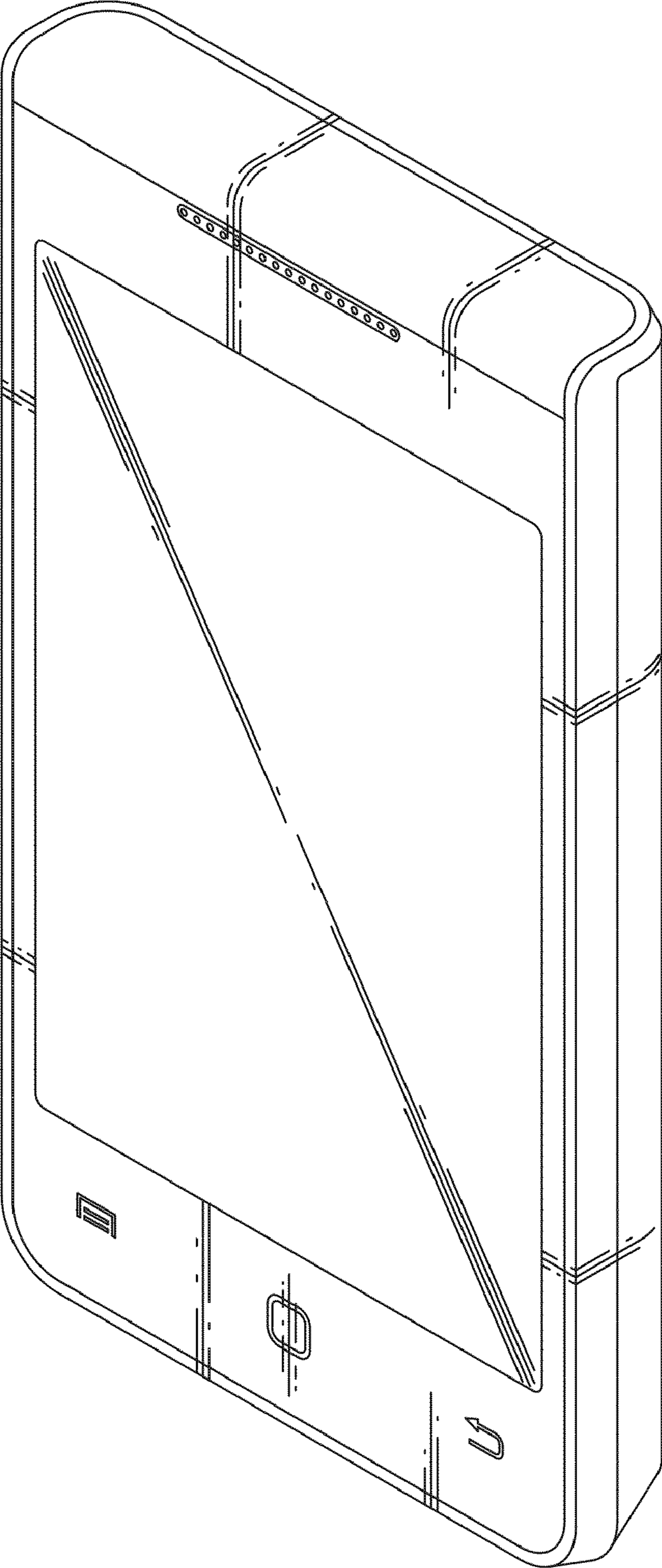


FIG. 2

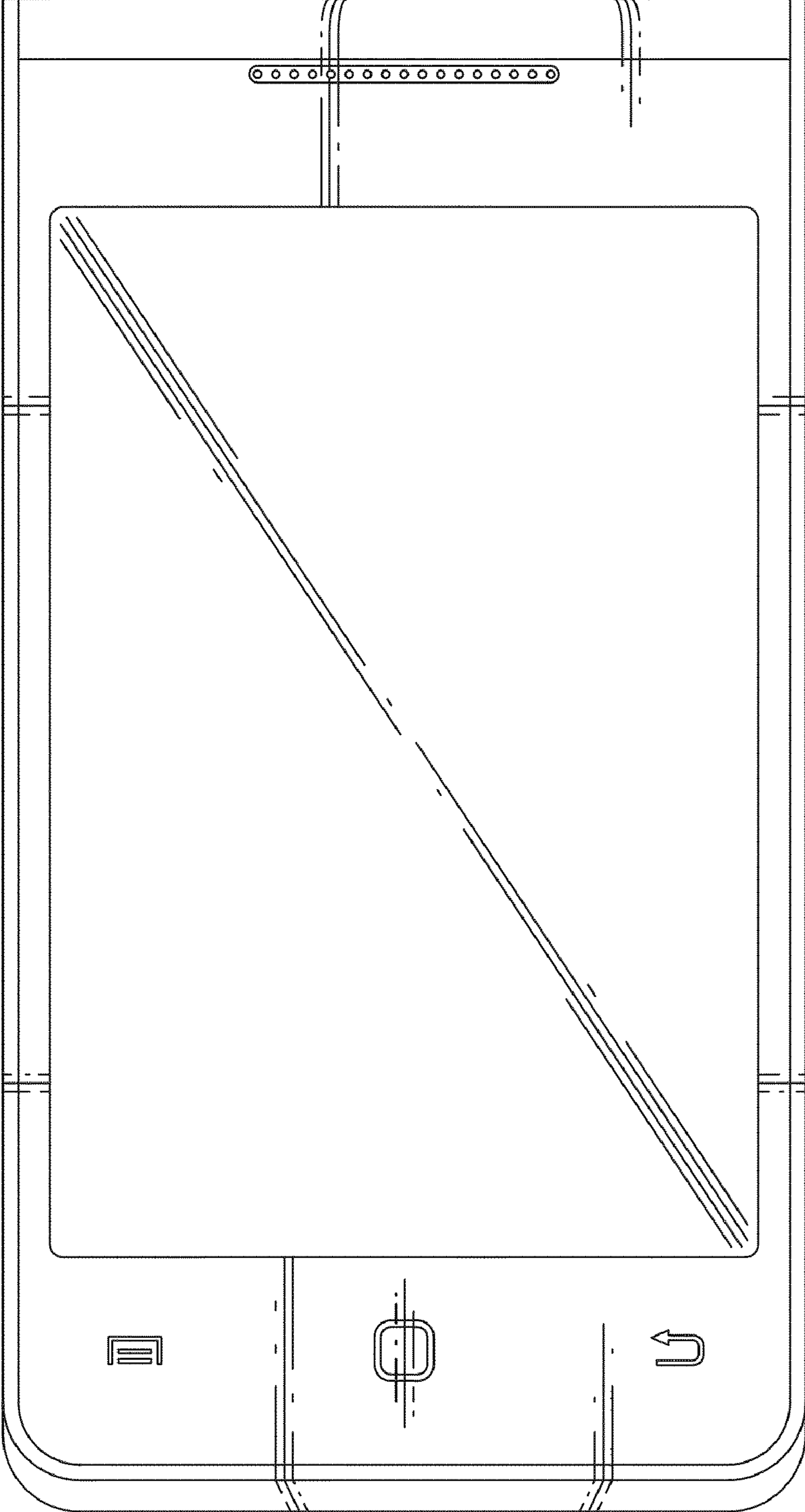


FIG. 3

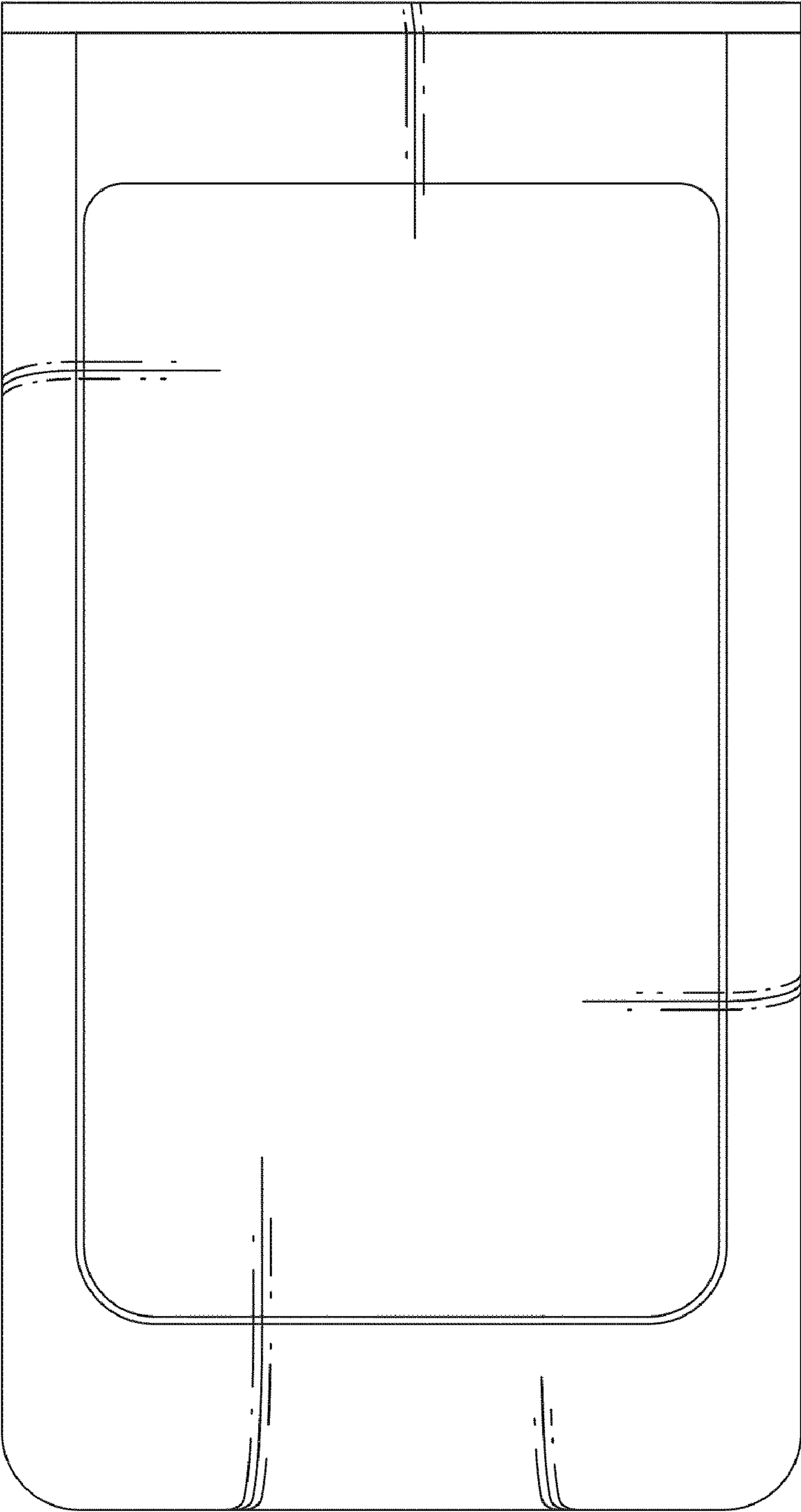


FIG. 4

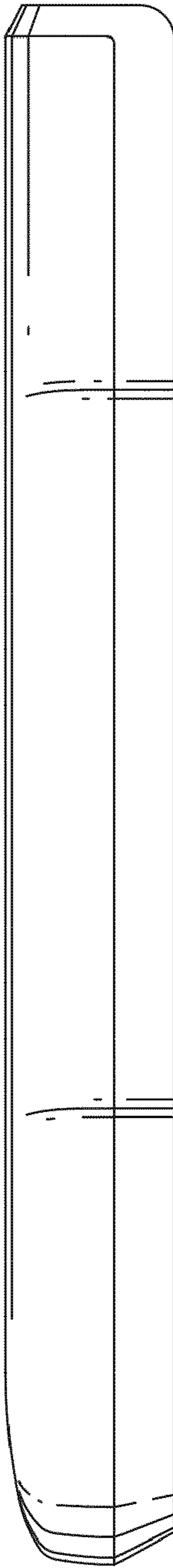


FIG. 5

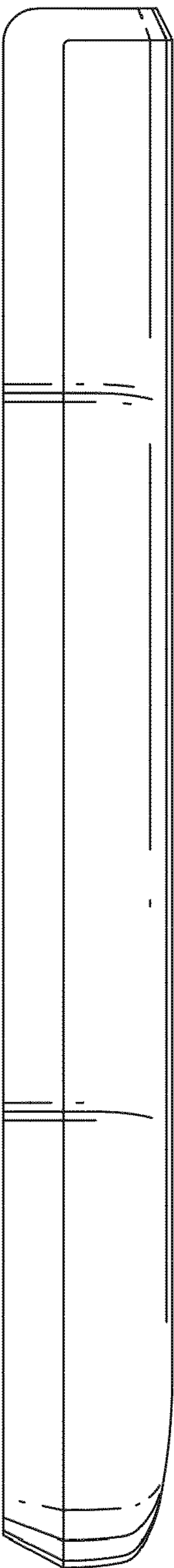


FIG. 6

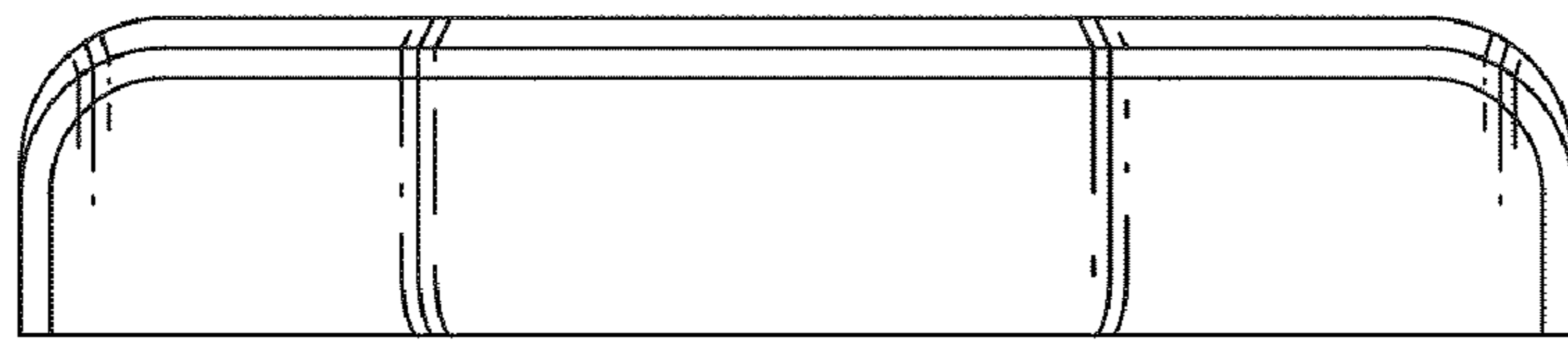


FIG. 7

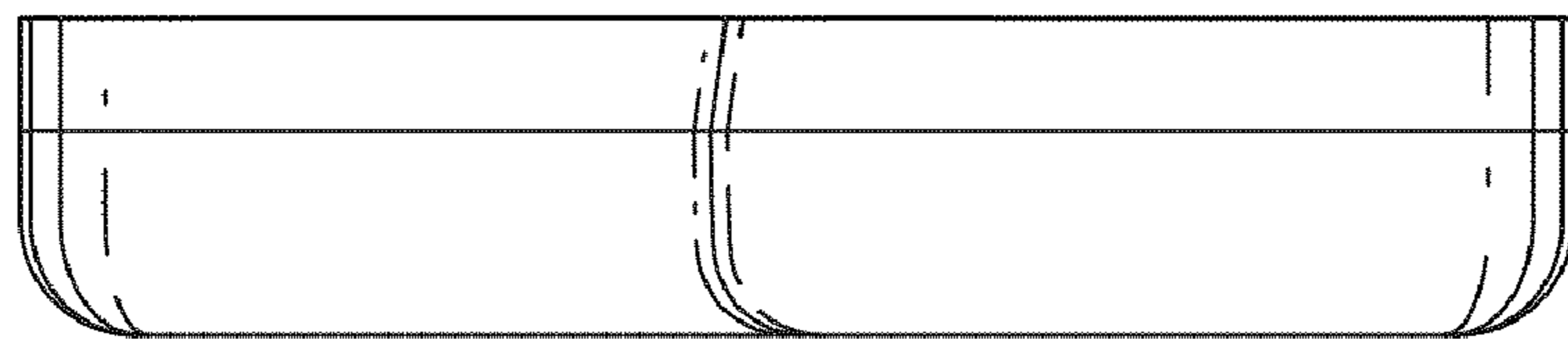


FIG. 8

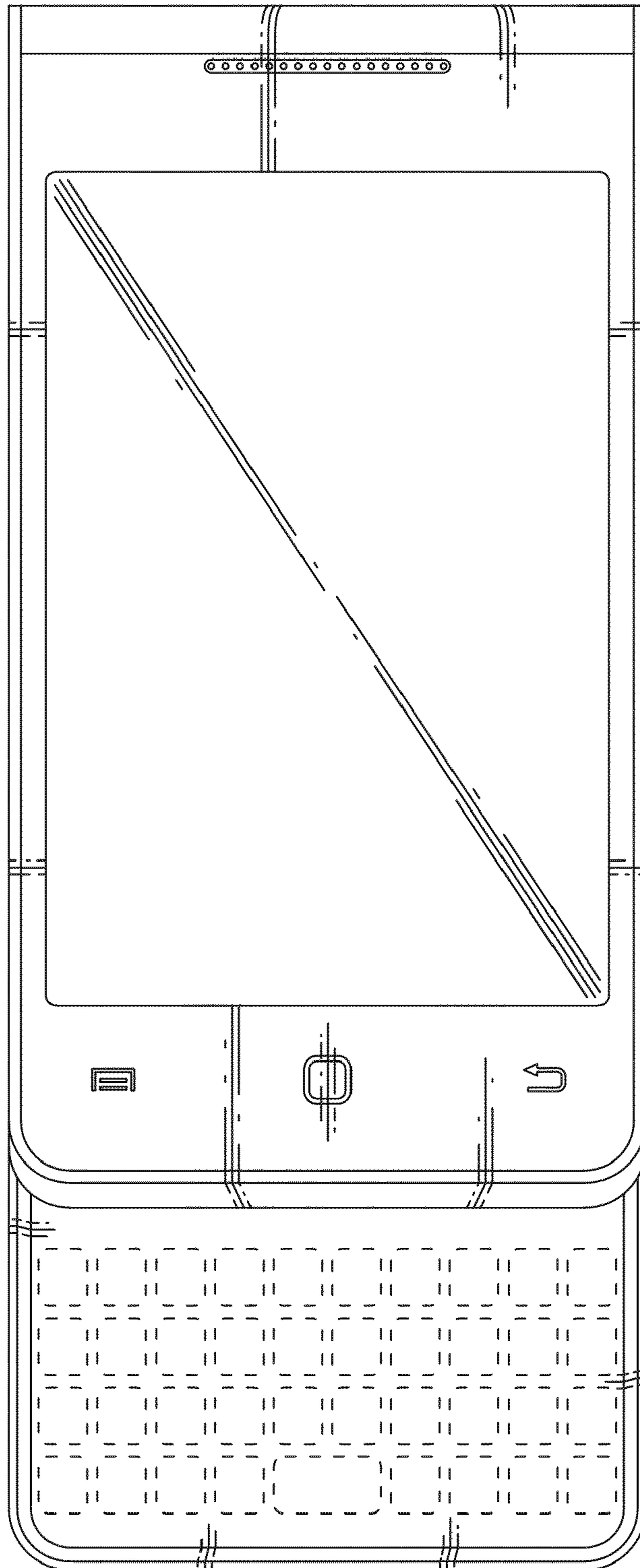


FIG. 9

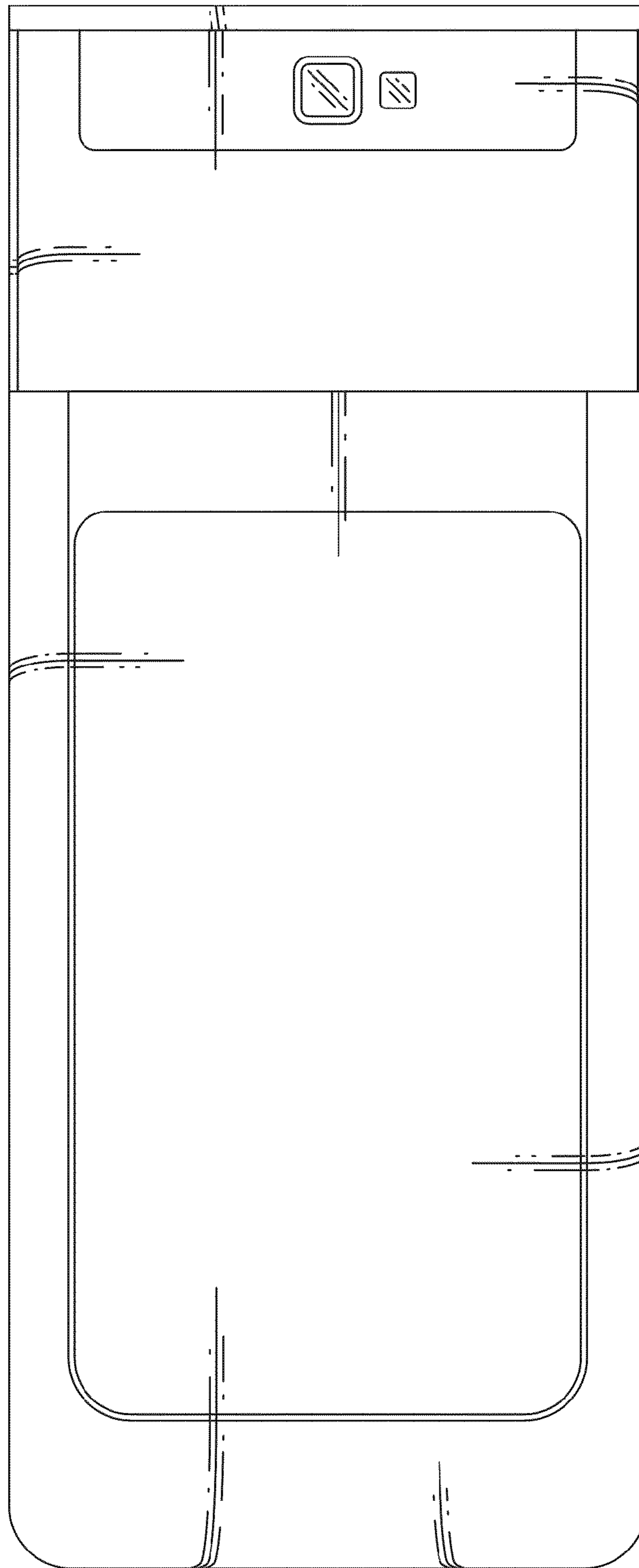


FIG. 10

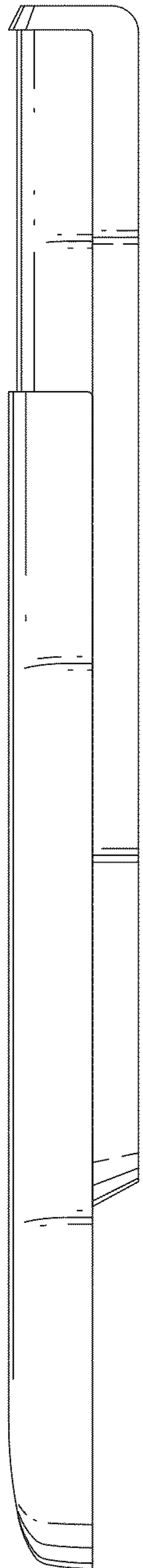


FIG. 11

