



US00D654899S

(12) **United States Design Patent**
Jung

(10) **Patent No.:** **US D654,899 S**
(45) **Date of Patent:** **** Feb. 28, 2012**

(54) **MOBILE PHONE**

(75) Inventor: **Jong-Bo Jung**, Seoul (KR)

(73) Assignee: **Samsung Electronics Co., Ltd.** (KR)

(**) Term: **14 Years**

(21) Appl. No.: **29/387,556**

(22) Filed: **Mar. 15, 2011**

(30) **Foreign Application Priority Data**

Dec. 24, 2010 (KR) 30-2010-0055775

(51) **LOC (9) Cl.** **14-03**

(52) **U.S. Cl.** **D14/138 G**

(58) **Field of Classification Search** D14/138 AD,
D14/138 G, 138 R, 138 AC, 138 C, 496,
D14/341, 345, 346, 203.7, 247, 248, 218,
D14/138 AA, 138 AB; 455/575.1, 556.2,
455/556.1, 575.4, 566; D10/65; D13/168

See application file for complete search history.

(56) **References Cited**

U.S. PATENT DOCUMENTS

- D580,387 S * 11/2008 Andre et al. D14/138 G
- D606,958 S * 12/2009 Knoppert et al. D14/138 AD
- D609,210 S * 2/2010 Sohn et al. D14/138 AD
- D615,945 S * 5/2010 Kim et al. D14/138 G
- D617,764 S * 6/2010 Liu et al. D14/138 AD
- D619,554 S * 7/2010 Kim et al. D14/138 AA
- D624,519 S * 9/2010 Shen et al. D14/138 AD
- D626,937 S * 11/2010 Yeo et al. D14/203.7
- D628,546 S * 12/2010 Lee D14/138 G
- D628,974 S * 12/2010 Park et al. D14/138 AD

(Continued)

OTHER PUBLICATIONS

Samsung Galaxy Y S5360 telephone, announced Aug. 2011, [online], [site visited Sep. 20, 2011]. Available from Internet, <URL: <http://www.gsmarena.com>>.*

Samsung Galaxy Gio S5660 telephone, announced Jan. 2011, [online], [site visited Sep. 20, 2011]. Available from Internet, <URL: <http://www.gsmarena.com>>.*

Samsung I5801 Galaxy Apollo telephone, announced Jun. 2011, [online], [site visited Sep. 20, 2011]. Available from Internet, <URL: <http://www.gsmarena.com>>.*

(Continued)

Primary Examiner — Jeffrey D Asch

(74) *Attorney, Agent, or Firm* — NSIP Law

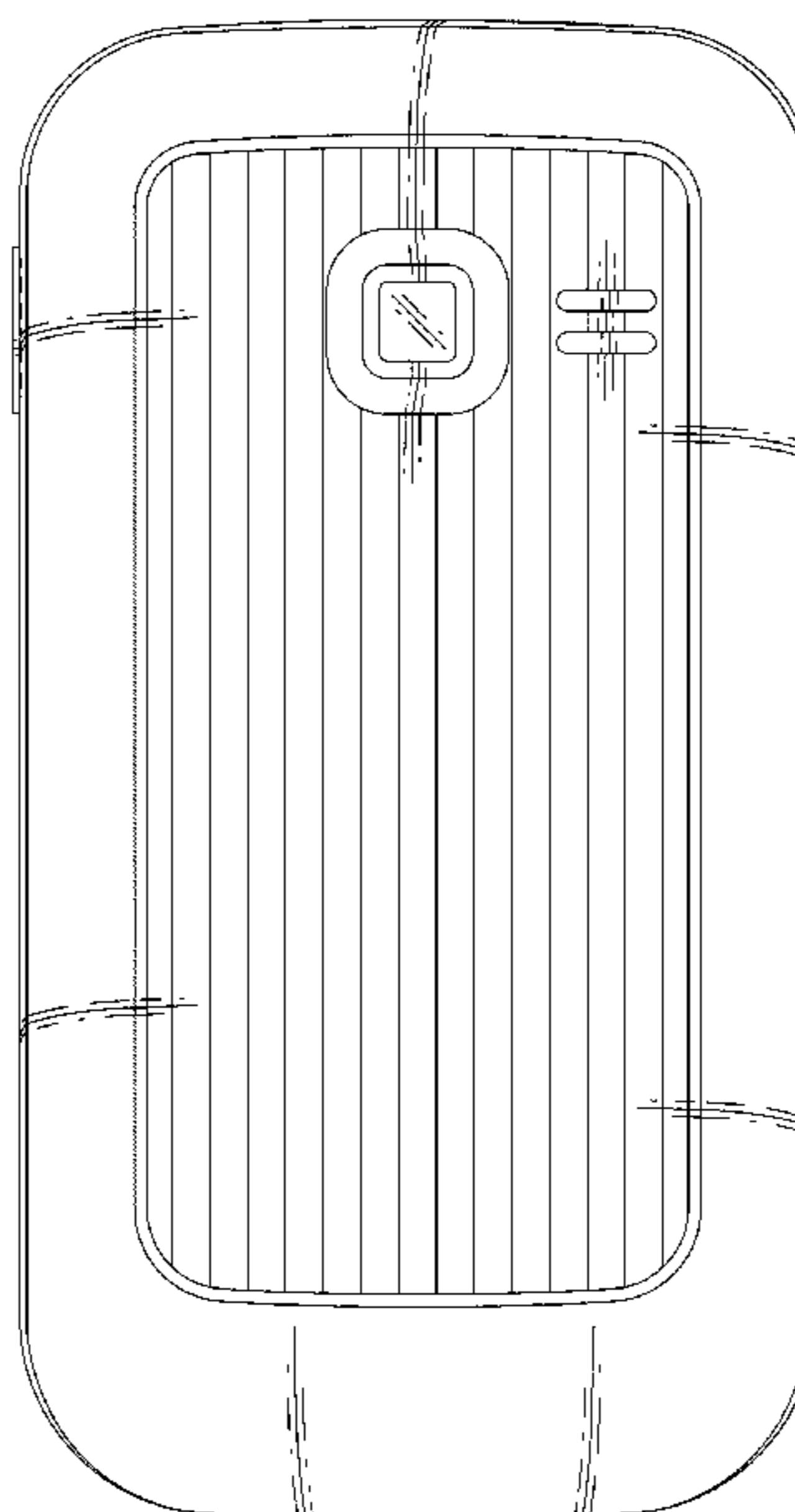
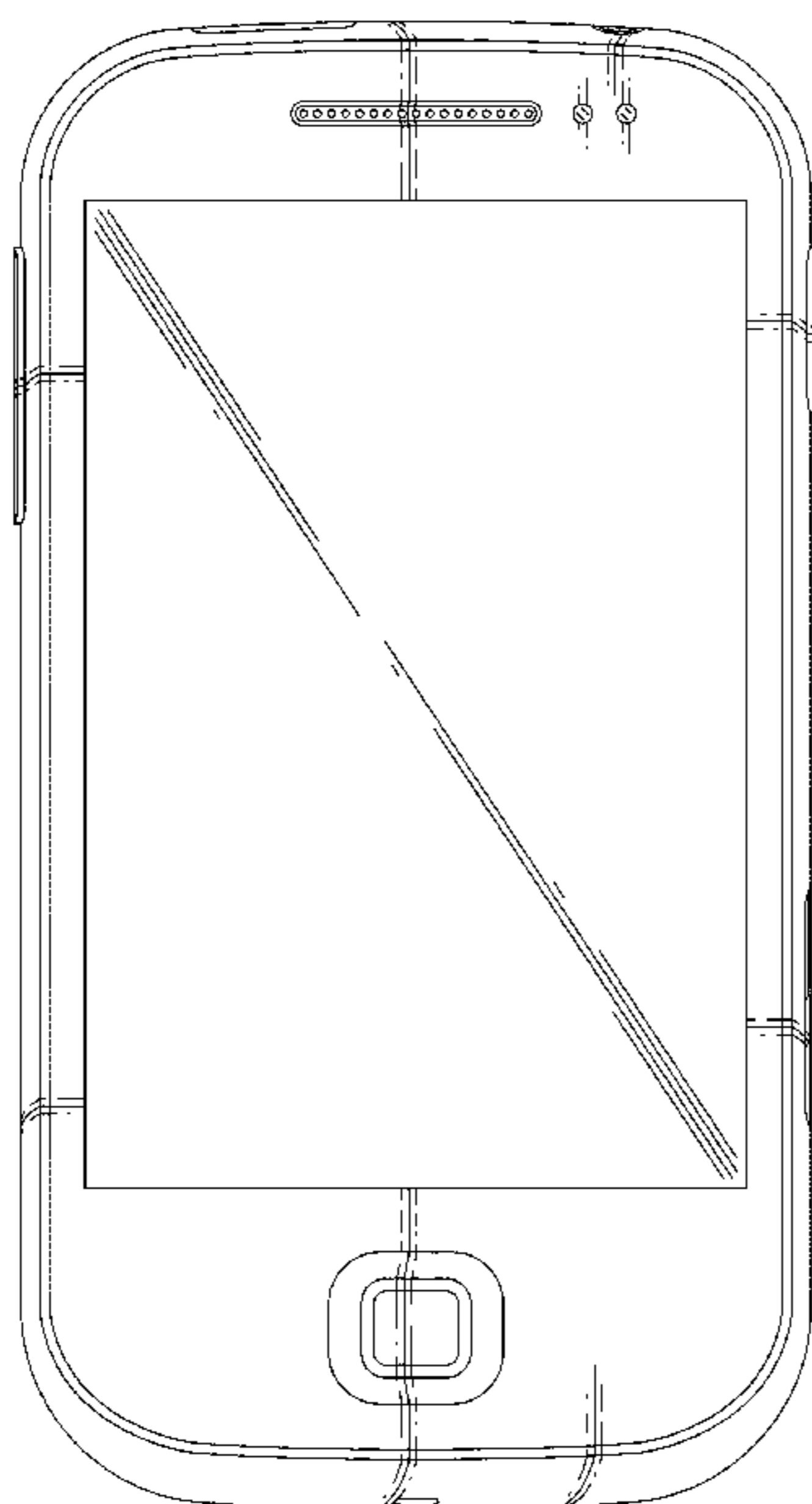
(57) **CLAIM**

The ornamental design for a mobile phone, as shown and described.

DESCRIPTION

FIG. 1 is a perspective view of a mobile phone;
 FIG. 2 is a front view of the mobile phone of FIG. 1;
 FIG. 3 is a rear view of the mobile phone of FIG. 1;
 FIG. 4 is a left-side view of the mobile phone of FIG. 1;
 FIG. 5 is a right-side view of the mobile phone of FIG. 1;
 FIG. 6 is a top plan view of the mobile phone of FIG. 1;
 FIG. 7 is a bottom plan view of the mobile phone of FIG. 1;
 FIG. 8 is a partial enlarged view of FIG. 4 that is included to more clearly depict the design feature on the back of the mobile phone, as viewed from the left-side view (a-a', b-b', c-c' d-d') of FIG. 4;
 FIG. 9 is a partial enlarged view of FIG. 5 that is included to more clearly depict the design feature on the back of the mobile phone, as viewed from the right-side view (e-e', f-f', g-g', h-h') of FIG. 5; and,
 FIG. 10 is a partial enlarged view of FIG. 6 that is included to more clearly depict the design feature on the back of the mobile phone, as viewed from the top plan view (1-1', 2-2', 3-3', 4-4') of FIG. 6.

1 Claim, 8 Drawing Sheets



US D654,899 S

Page 2

U.S. PATENT DOCUMENTS

D628,975 S * 12/2010 Jang D14/138 G
D629,773 S * 12/2010 Lee et al. D14/138 G
D629,783 S * 12/2010 Kim et al. D14/138 G
D629,799 S * 12/2010 Andre et al. D14/341
D630,611 S * 1/2011 Chen D14/138 G
D633,070 S * 2/2011 Tzeng D14/138 G
D633,460 S * 3/2011 Yi et al. D14/138 G
D633,884 S * 3/2011 Chen D14/138 AD
D638,816 S * 5/2011 Li D14/138 G
D640,658 S * 6/2011 Knoppert et al. D14/138 G
D643,827 S * 8/2011 Lee et al. D14/138 G
D644,197 S * 8/2011 Lee et al. D14/138 G
D645,014 S * 9/2011 Chung D14/138 G
D645,015 S * 9/2011 Lee et al. D14/138 G

OTHER PUBLICATIONS

LG SU420 Cafe telephone, announced Apr. 2011, [online], [site visited Sep. 20, 2011]. Available from Internet, <URL: <http://www.gsmarena.com>>.*

Motorola DEXT MB220 telephone, announced Sep. 2009, [online], [site visited Sep. 20, 2011]. Available from Internet, <URL: <http://www.gsmarena.com>>.*

Palm Pre telephone, announced Feb. 2009, [online], [site visited Sep. 20, 2011]. Available from Internet, <URL: <http://www.gsmarena.com>>.*

* cited by examiner

FIG. 1

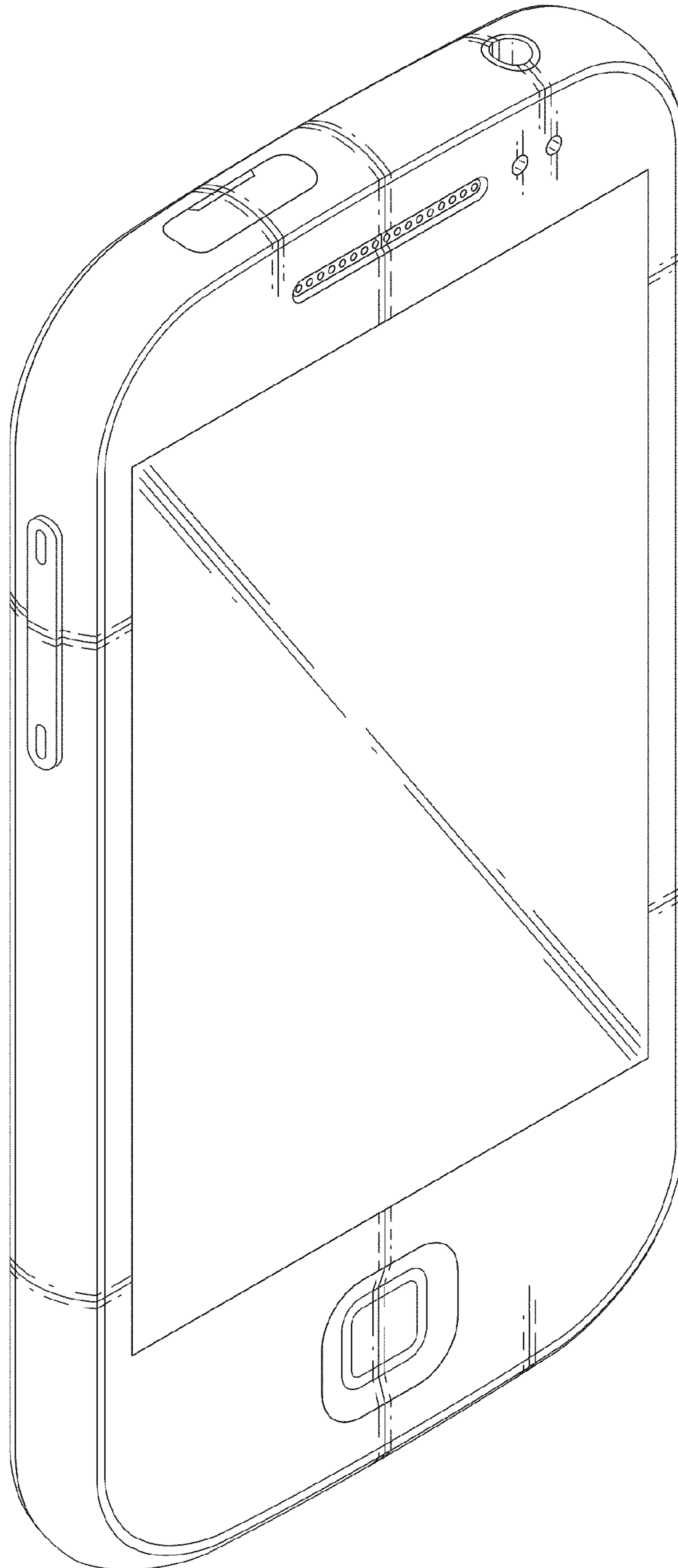


FIG. 2

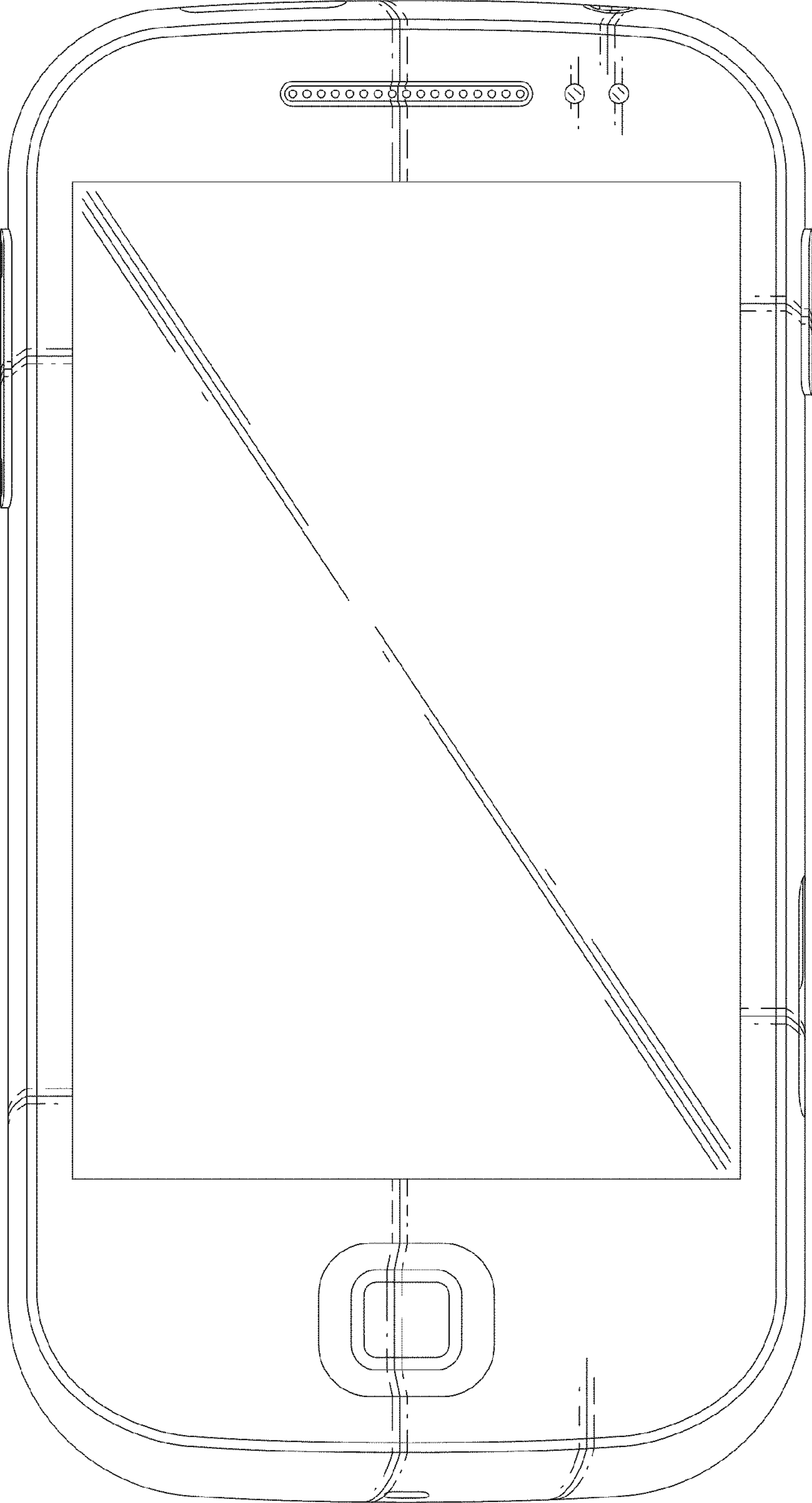


FIG. 3

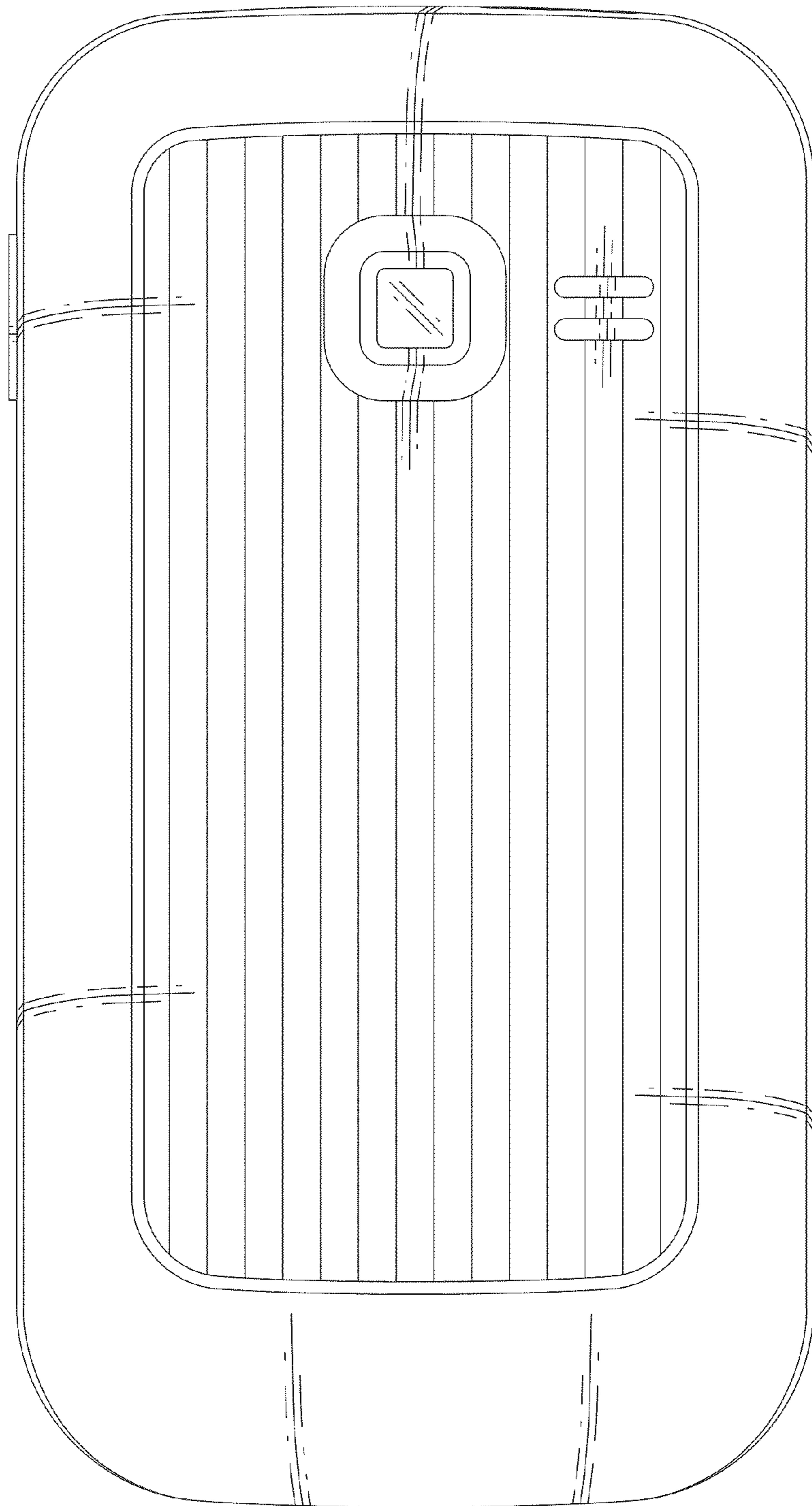


FIG. 4

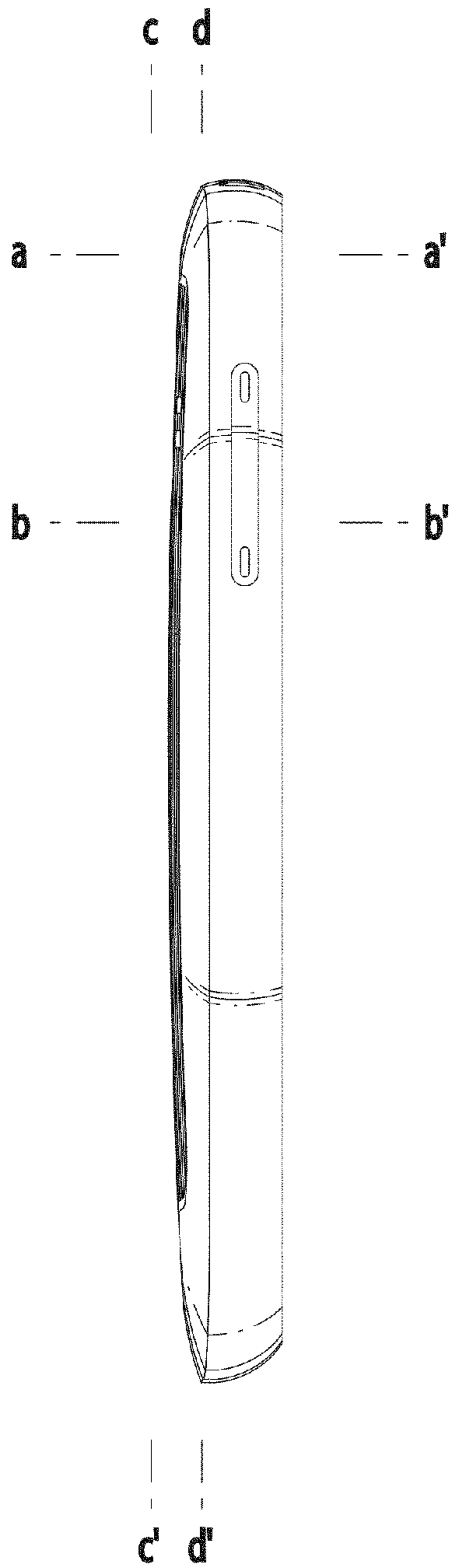


FIG. 5

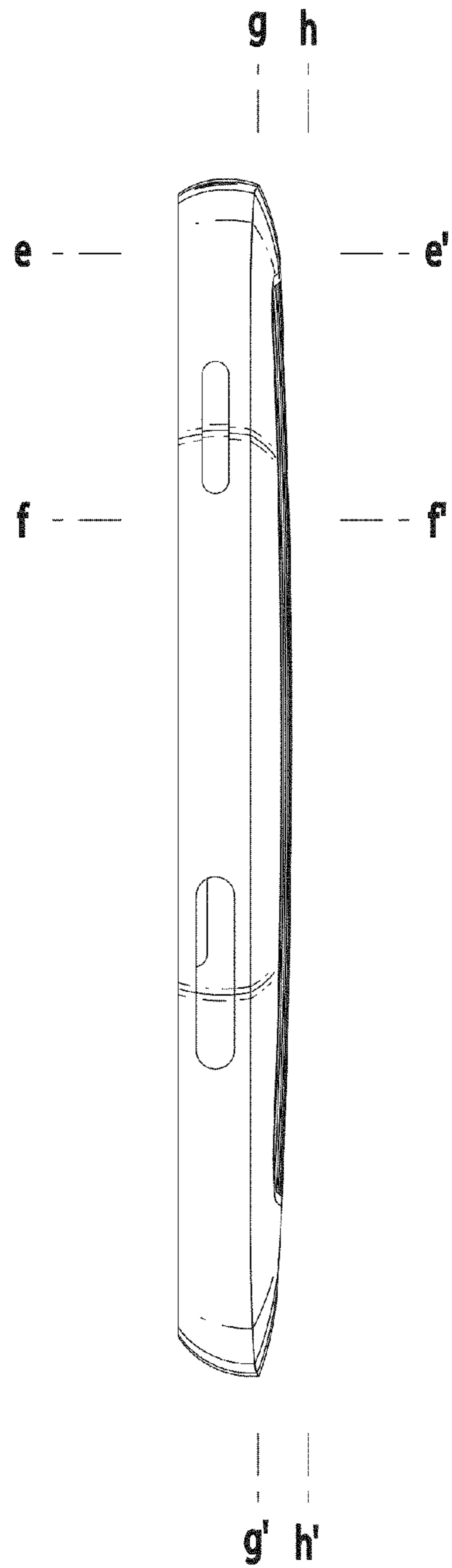


FIG. 6

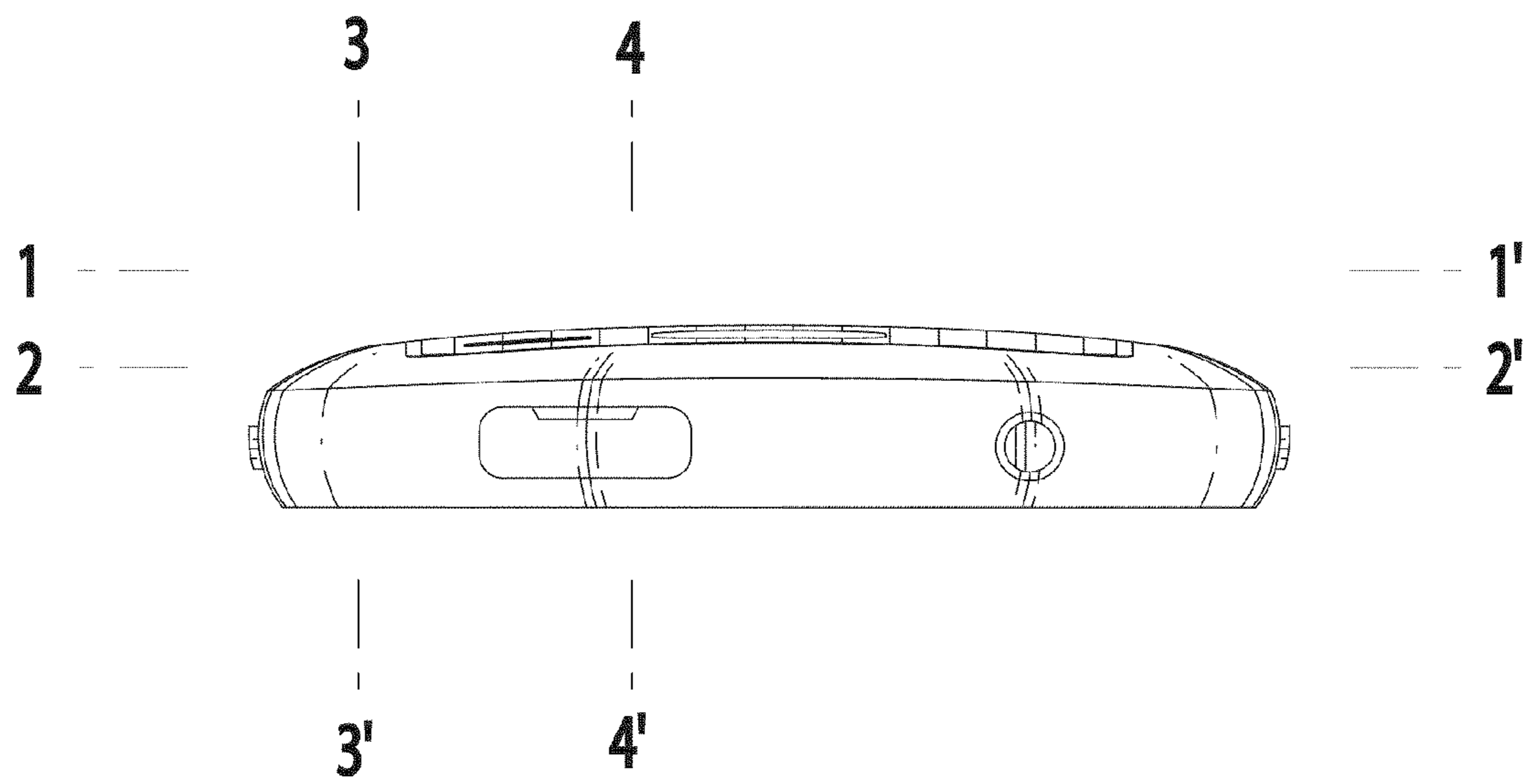


FIG. 7

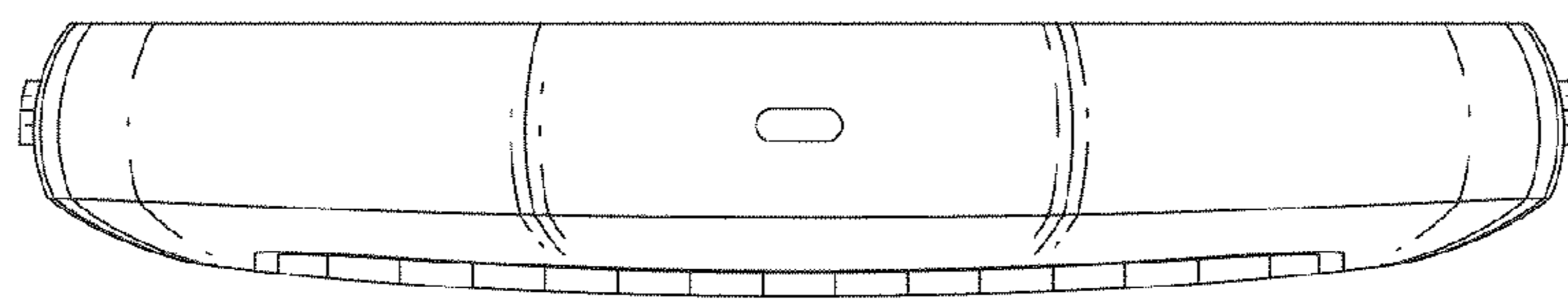


FIG. 8

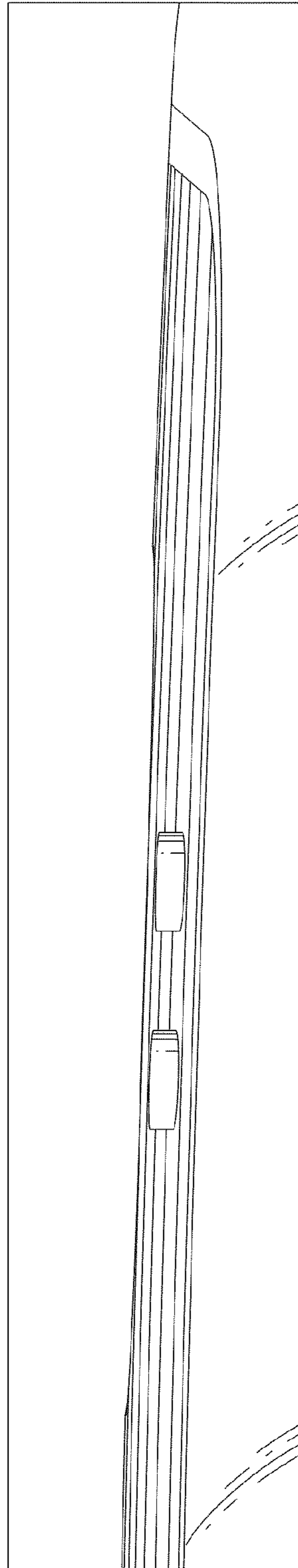


FIG. 9

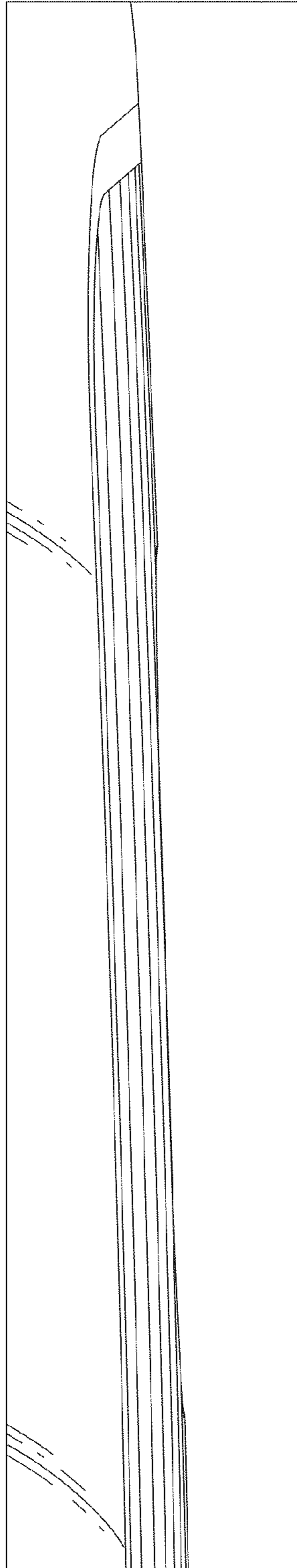


FIG. 10

