



US00D654898S

(12) **United States Design Patent**
Kim

(10) **Patent No.:** **US D654,898 S**

(45) **Date of Patent:** **** Feb. 28, 2012**

(54) **MOBILE PHONE**

(75) **Inventor:** **Nam-Su Kim**, Seoul (KR)

(73) **Assignee:** **Samsung Electronics Co., Ltd.** (KR)

(**) **Term:** **14 Years**

(21) **Appl. No.:** **29/387,540**

(22) **Filed:** **Mar. 15, 2011**

(30) **Foreign Application Priority Data**

Dec. 24, 2010 (KR) 30-2010-0055772

(51) **LOC (9) Cl.** **14-03**

(52) **U.S. Cl.** **D14/138 G**

(58) **Field of Classification Search** D14/138 R,
D14/138 AD, 138 AC, 138 C, 138 G, 191,
D14/203.1–203.8, 496, 138 AA, 138 AB,
D14/137, 147, 218, 341–347, 247–248; D10/65,
D10/78, 104; D13/168; D18/7; 455/566,
455/575.1, 575.3, 575.4

See application file for complete search history.

(56) **References Cited**

U.S. PATENT DOCUMENTS

| | | | | |
|--------------|---------|-------------|-------|------------|
| D496,659 S * | 9/2004 | Chien | | D14/346 |
| D539,773 S * | 4/2007 | Kim et al. | | D14/138 AC |
| D543,966 S * | 6/2007 | Peng et al. | | D14/138 AD |
| D581,894 S * | 12/2008 | Kim | | D14/138 G |
| D592,167 S * | 5/2009 | Park et al. | | D14/138 AD |
| D594,433 S * | 6/2009 | Seo et al. | | D14/138 AD |
| D596,608 S * | 7/2009 | Kim et al. | | D14/138 G |
| D601,538 S * | 10/2009 | Hong | | D14/138 G |
| D601,988 S * | 10/2009 | Bang et al. | | D14/138 G |

(Continued)

OTHER PUBLICATIONS

Samsung 4G LTE, announced Jan. 2011, [online], [retrieved on Feb. 1, 2011]. Retrieved from Internet ,<URL: http://www.gsmarena.com>.*

(Continued)

Primary Examiner — Bridget L Eland

(74) *Attorney, Agent, or Firm* — NSIP Law

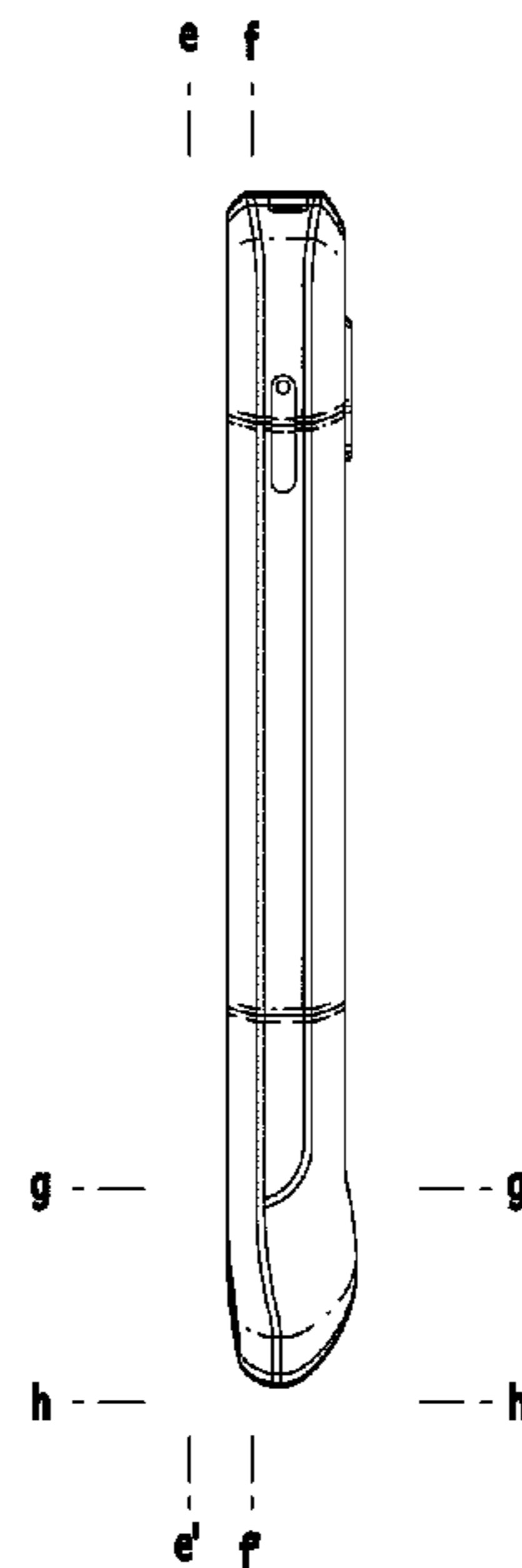
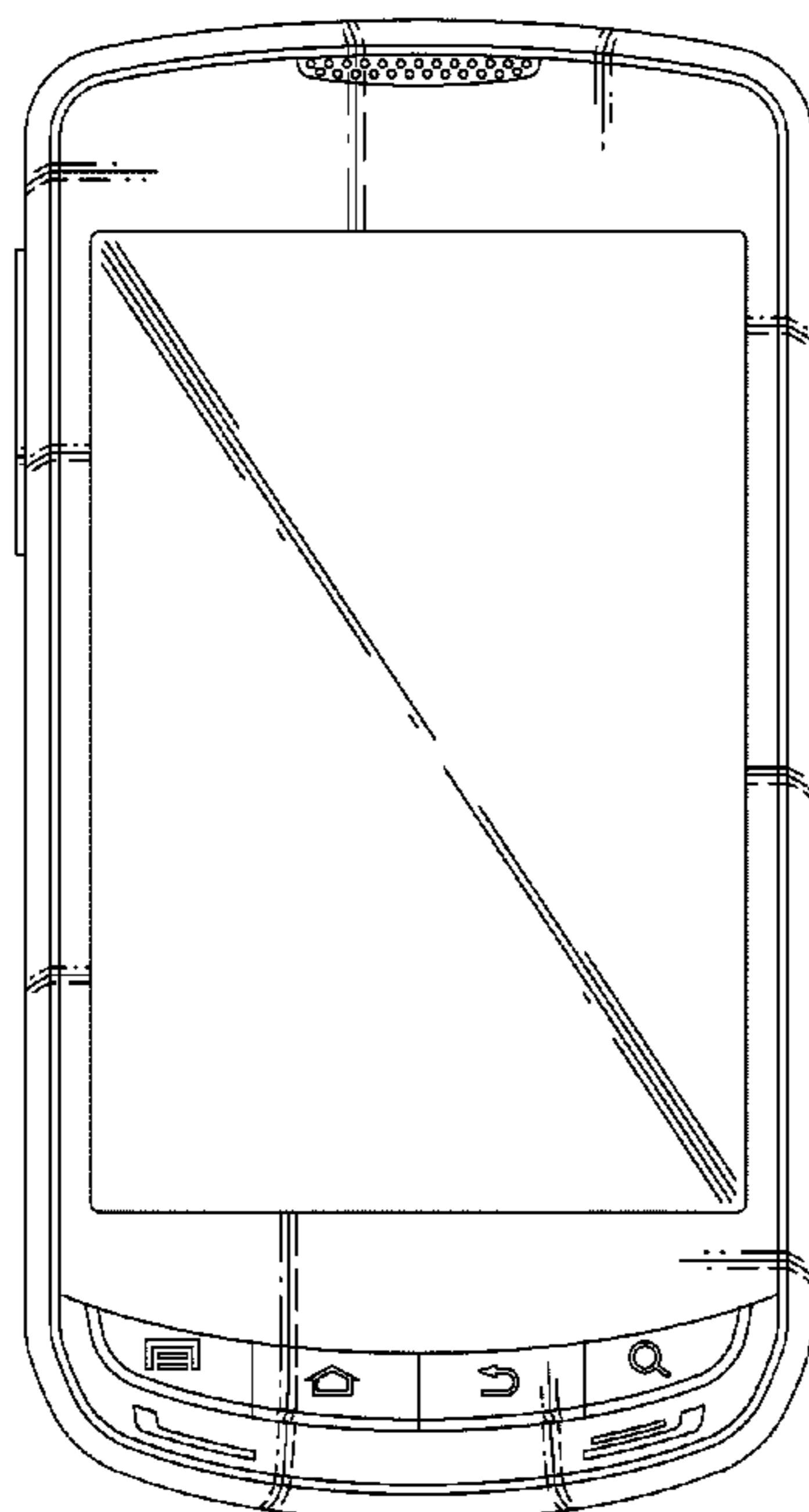
(57) **CLAIM**

The ornamental design for a mobile phone, as shown and described.

DESCRIPTION

FIG. 1 is a perspective view of a mobile phone;
 FIG. 2 is a front view of the mobile phone of FIG. 1;
 FIG. 3 is a rear view of the mobile phone of FIG. 1;
 FIG. 4 is a left-side view of the mobile phone of FIG. 1;
 FIG. 5 is a right-side view of the mobile phone of FIG. 1;
 FIG. 6 is a top plan view of the mobile phone of FIG. 1;
 FIG. 7 is a bottom plan view of the mobile phone of FIG. 1;
 FIG. 8 is a partial enlarged view of FIG. 4 that is included to more clearly depict the design feature on the front of the mobile phone, as viewed from the left-side view (a-a', b-b', c-c' d-d') of FIG. 4;
 FIG. 9 is a partial enlarged view of FIG. 5 that is included to more clearly depict the design feature on the front of the mobile phone, as viewed from the right-side view (e-e', f-f', g-g', h-h') of FIG. 5; and,
 FIG. 10 is a partial enlarged view of FIG. 7 that is included to more clearly depict the design feature on the front of the mobile phone, as viewed from the bottom plan view (1-1', 2-2', 3-3', 4-4') of FIG. 7.

1 Claim, 8 Drawing Sheets



US D654,898 S

Page 2

U.S. PATENT DOCUMENTS

D603,356 S * 11/2009 Sterzick et al. D14/138 G
D607,865 S * 1/2010 Lee et al. D14/138 AD
D611,921 S * 3/2010 Bang et al. D14/138 G
D615,519 S * 5/2010 Kim et al. D14/138 G
D617,757 S * 6/2010 Kim et al. D14/138 AD
D618,200 S * 6/2010 Kim et al. D14/138 AD
D629,782 S * 12/2010 Kim et al. D14/138 G
D636,368 S * 4/2011 Kim D14/138 AD
D637,990 S * 5/2011 Lee et al. D14/138 AD
D639,765 S * 6/2011 Lee D14/138 G
D640,221 S * 6/2011 Lee et al. D14/138 AD
2006/0205451 A1* 9/2006 Pan 455/575.4

2009/0061963 A1* 3/2009 Miyaoka 455/575.4
2009/0163250 A1* 6/2009 Park 455/566
2010/0056232 A1* 3/2010 Lim et al. 455/575.1
2010/0099464 A1* 4/2010 Kim 455/566
2010/0251152 A1* 9/2010 Cho et al. 715/765

OTHER PUBLICATIONS

Samsung R640 Character, announced Jul. 2011, [online], [retrieved on Aug. 19, 2011]. Retrieved from Internet ,<URL: <http://www.gsmarena.com>>.*

* cited by examiner

FIG. 1

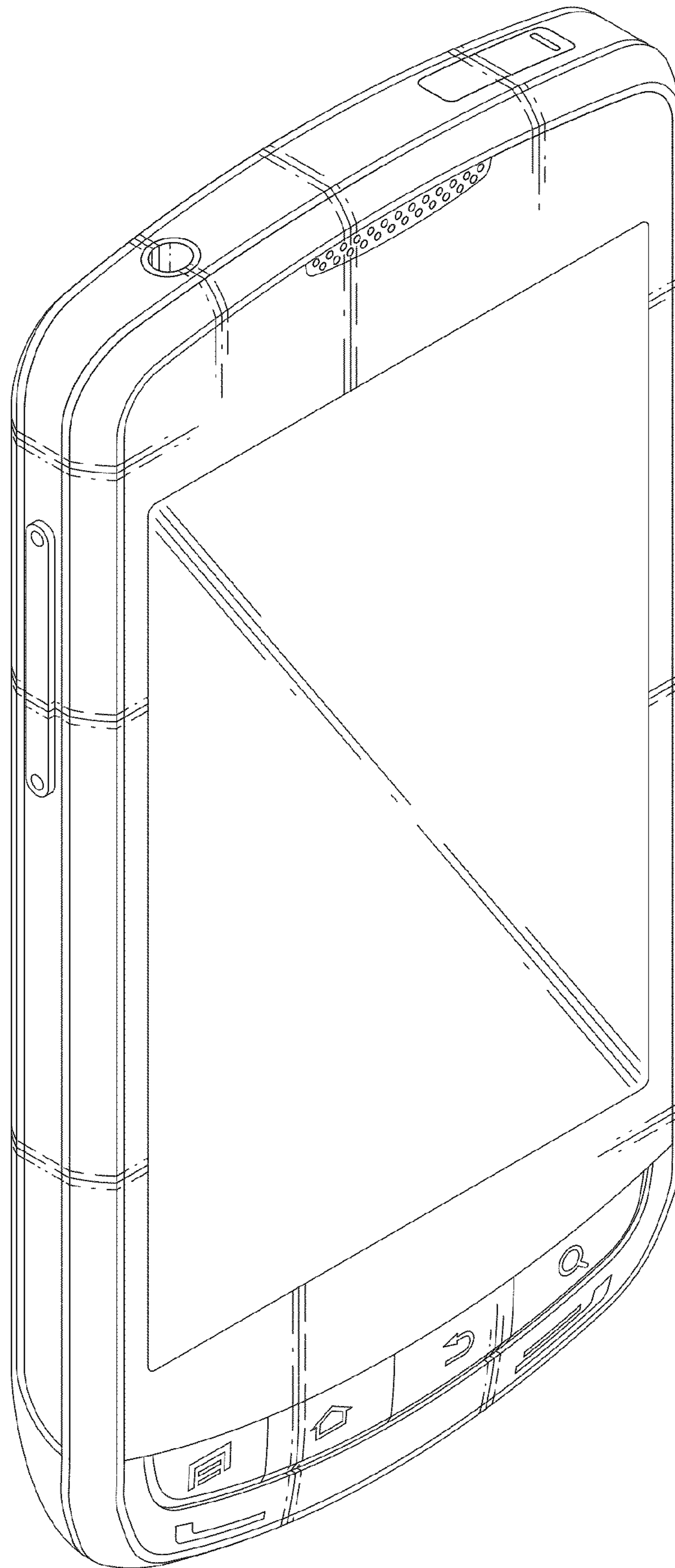


FIG. 2

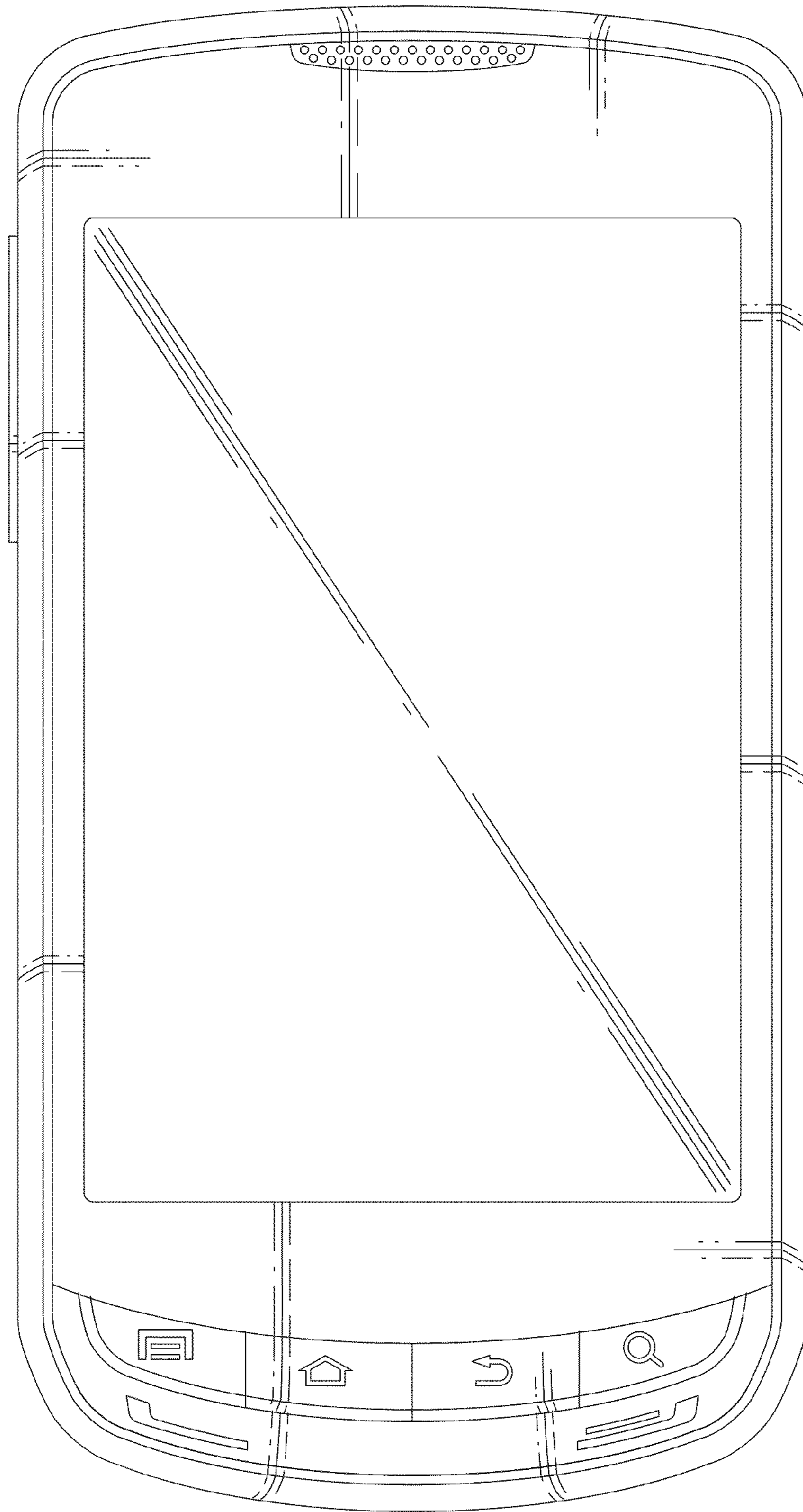


FIG. 3

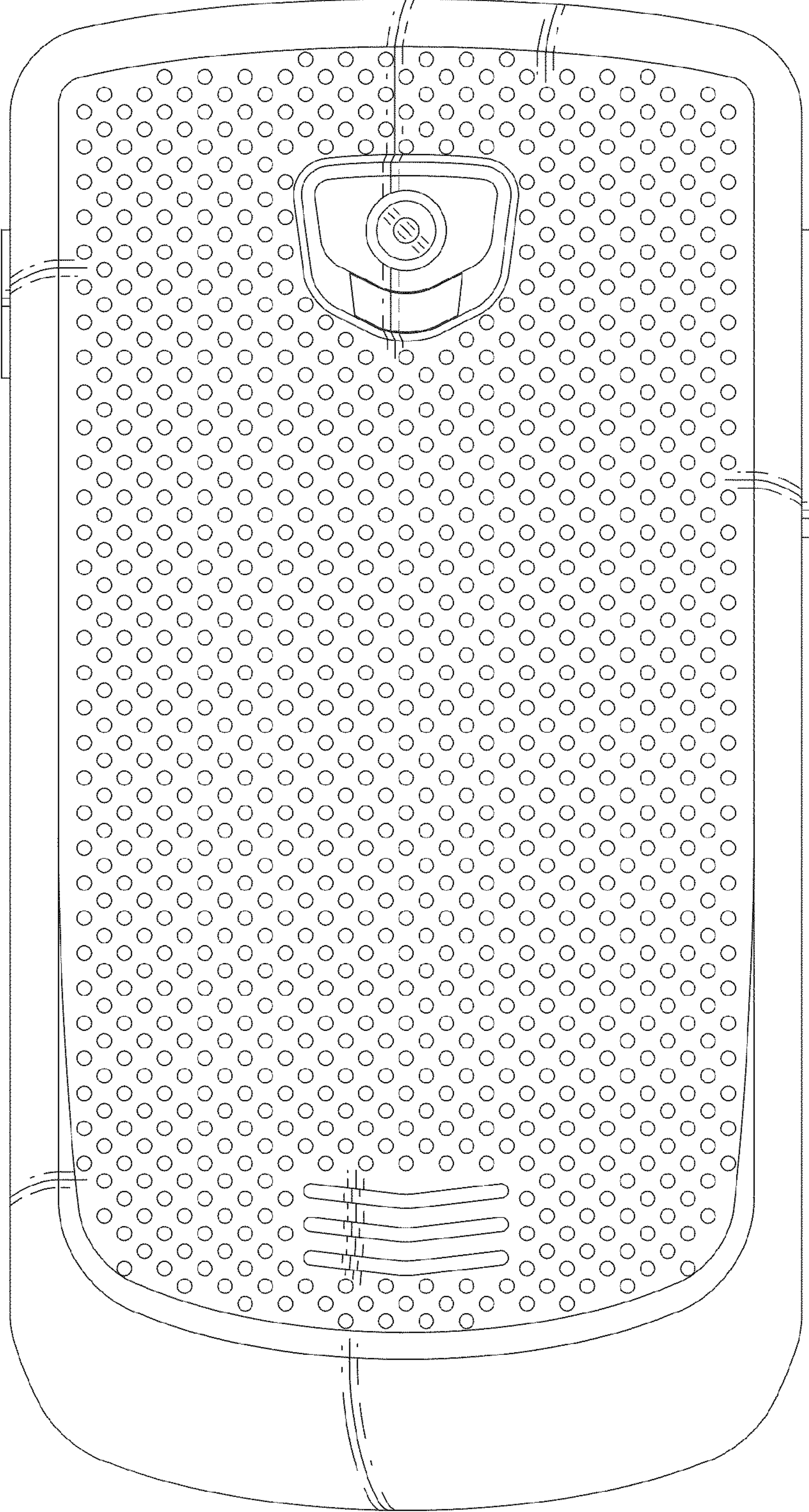


FIG. 4

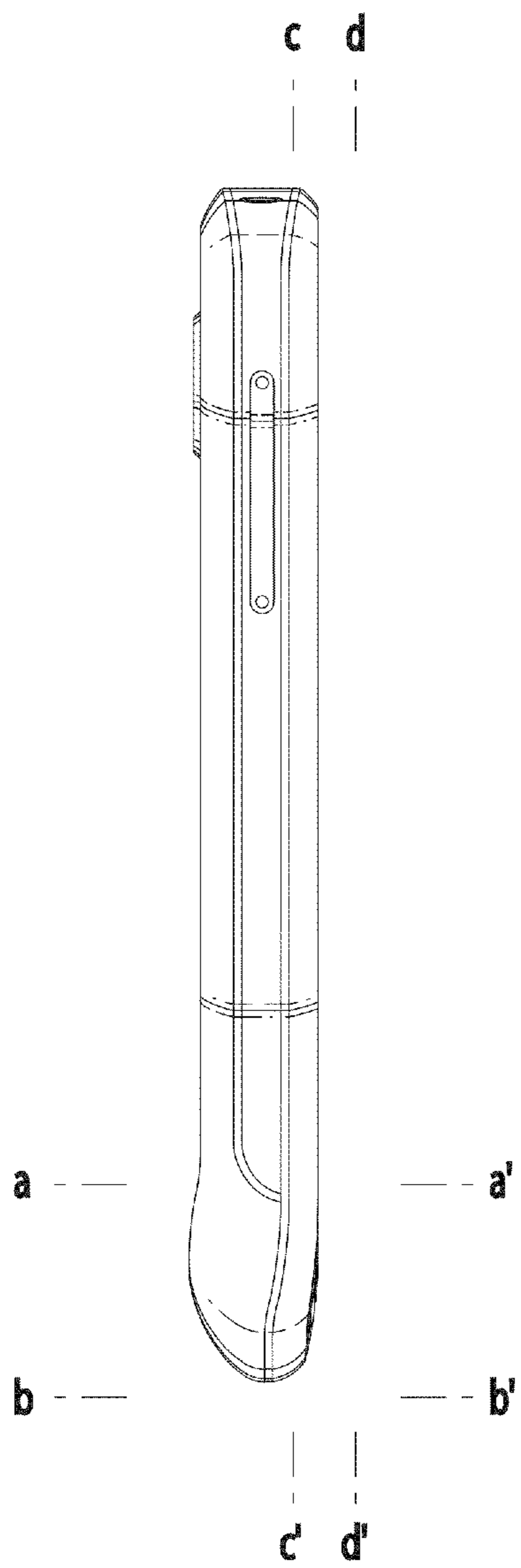


FIG. 5

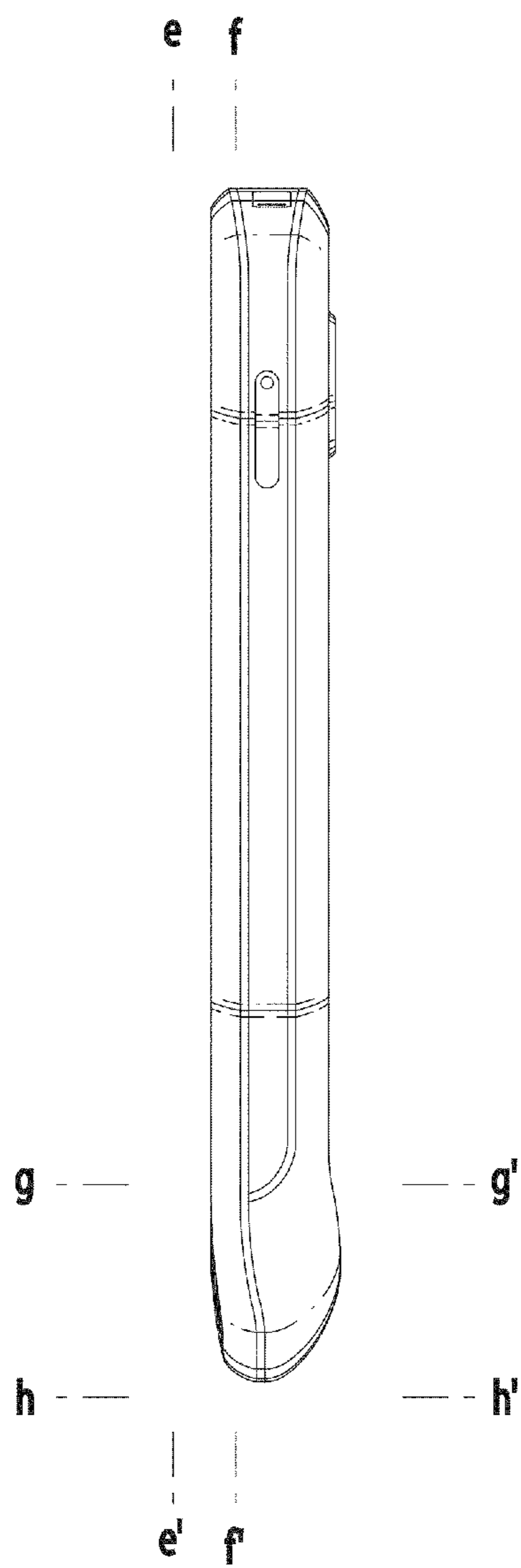


FIG. 6

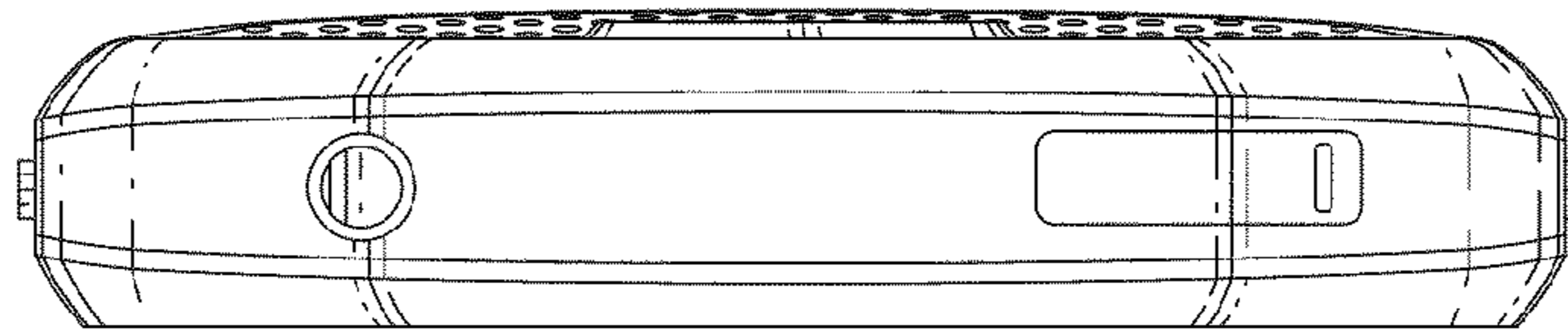


FIG. 7

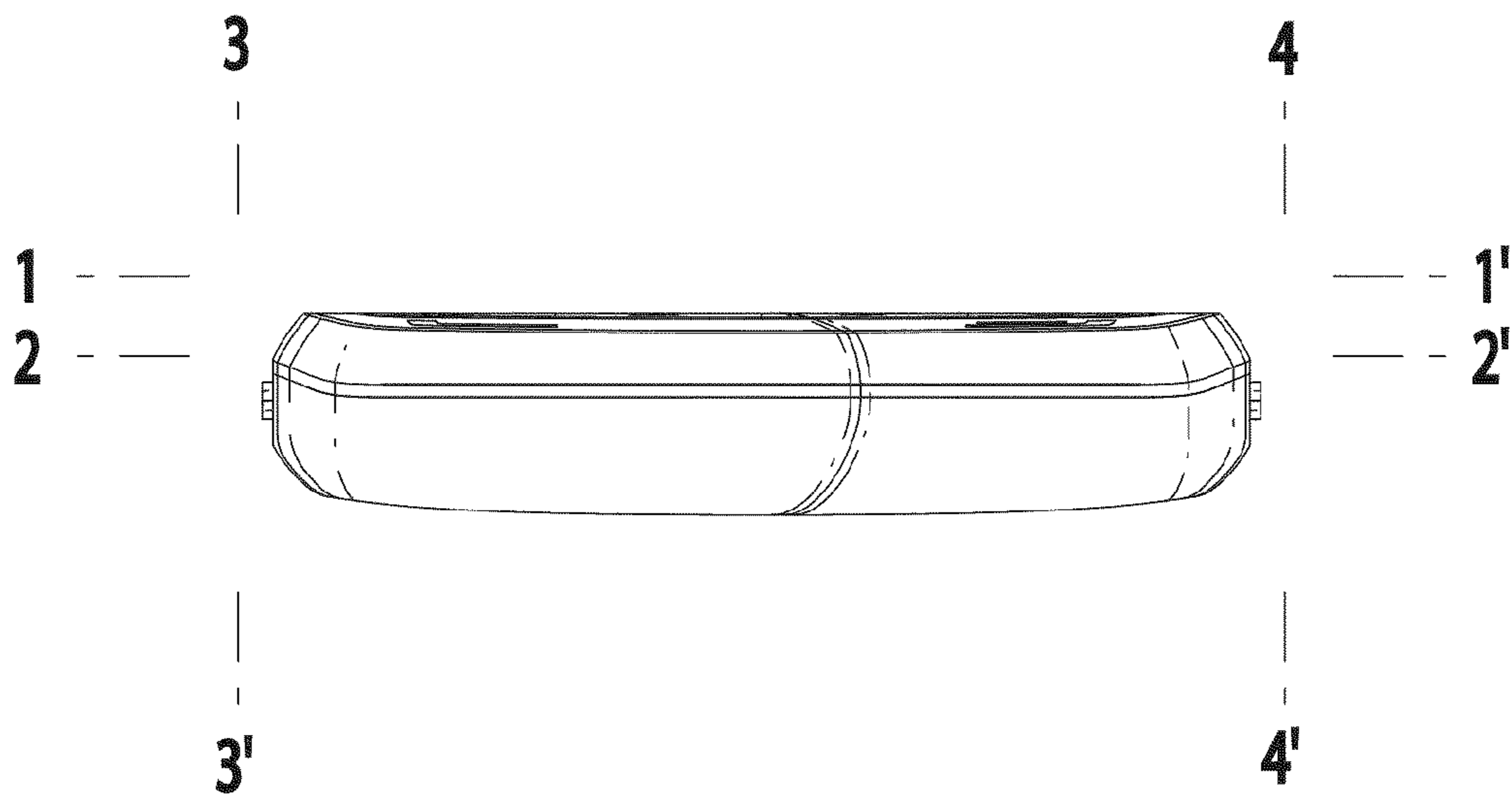


FIG. 8

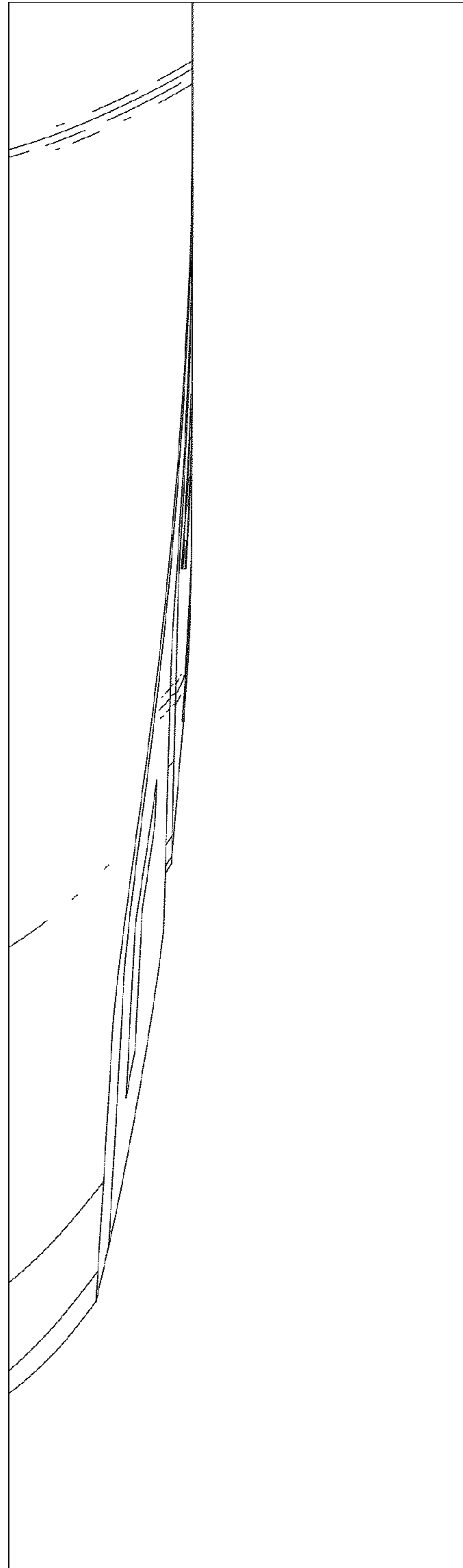


FIG. 9

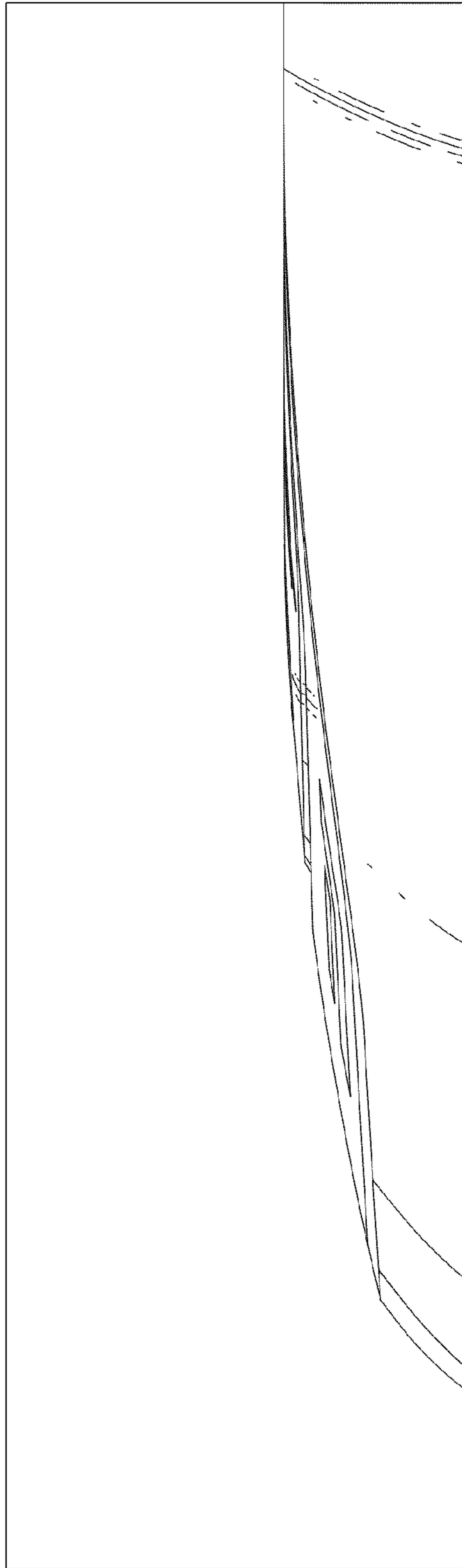


FIG. 10

