



US00D654897S

(12) **United States Design Patent**
Kim

(10) **Patent No.:** **US D654,897 S**
(45) **Date of Patent:** **** Feb. 28, 2012**

(54) **MOBILE PHONE**

(75) Inventor: **Nam-Su Kim**, Seoul (KR)
(73) Assignee: **Samsung Electronics Co., Ltd.** (KR)
(**) Term: **14 Years**
(21) Appl. No.: **29/387,539**
(22) Filed: **Mar. 15, 2011**

(30) **Foreign Application Priority Data**

Dec. 24, 2010 (KR) 30-2010-0055768

(51) **LOC (9) Cl.** **14-03**
(52) **U.S. Cl.** **D14/138 AD; D14/138 G**
(58) **Field of Classification Search** D14/138 R,
D14/138 AD, 138 AC, 138 C, 138 G, 191,
D14/203.1-203.8, 496, 138 AA, 138 AB,
D14/137, 147, 218, 341-347, 247-248; D10/65,
D10/78, 104; D13/168; D18/7; 455/566,
455/575.1, 575.3, 575.4
See application file for complete search history.

(56) **References Cited**

U.S. PATENT DOCUMENTS

D539,773 S * 4/2007 Kim et al. D14/138 AC
D572,227 S * 7/2008 Yoon et al. D14/138 G
D580,396 S * 11/2008 Kang D14/138 G
D581,894 S * 12/2008 Kim D14/138 G
D590,802 S * 4/2009 Shin et al. D14/138 AD
D592,167 S * 5/2009 Park et al. D14/138 AD
D603,356 S * 11/2009 Sterzick et al. D14/138 G
D607,865 S * 1/2010 Lee et al. D14/138 AD
D608,331 S * 1/2010 Kim et al. D14/138 AC

(Continued)

OTHER PUBLICATIONS

Acer M900, announced Feb. 2009, [online], [retrieved on Oct. 28, 2009]. Retrieved from Internet ,<URL: http://www.gsmarena.com>.*

(Continued)

Primary Examiner — Bridget L Eland
(74) *Attorney, Agent, or Firm* — NSIP Law

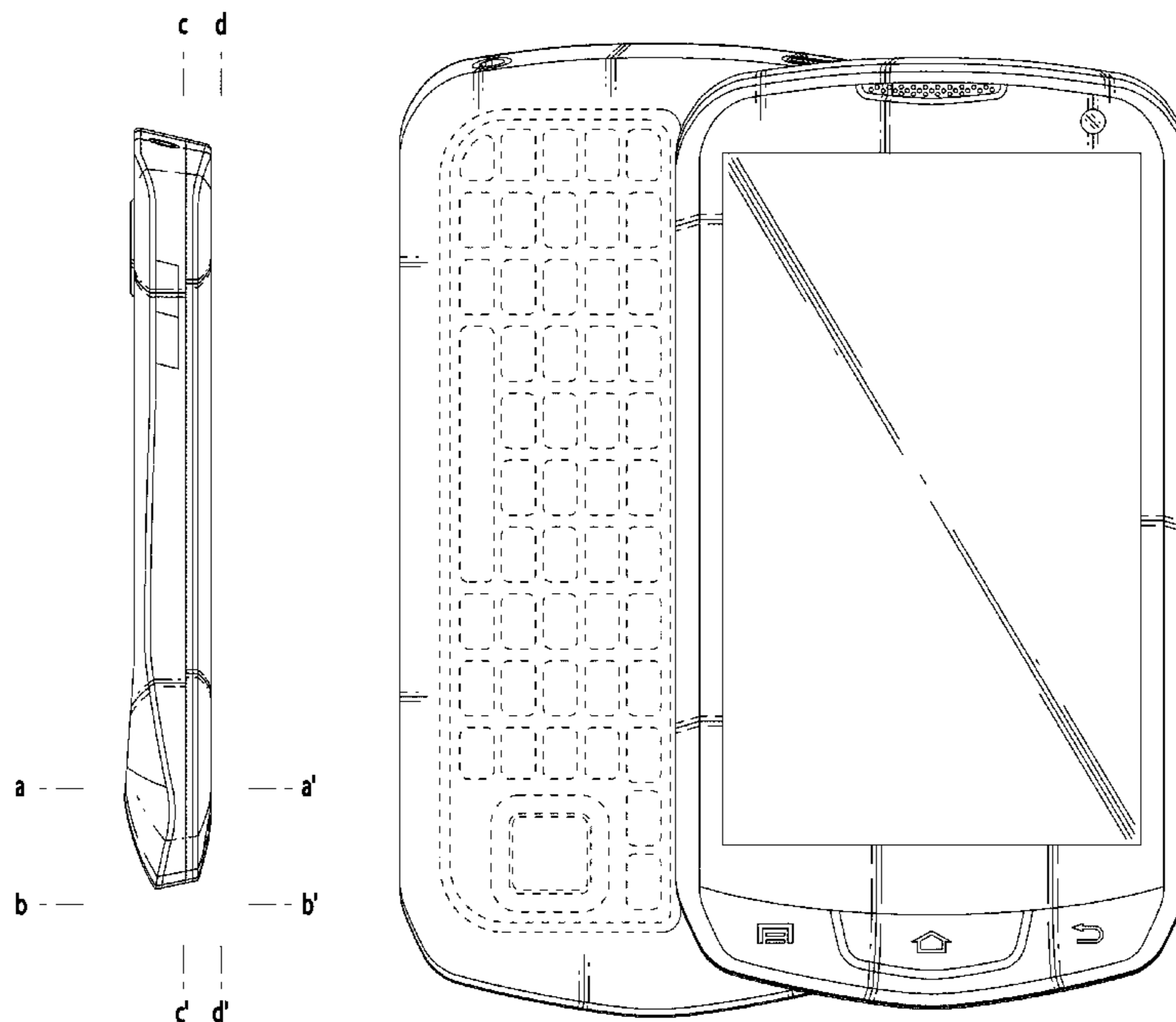
(57) **CLAIM**

The ornamental design for a mobile phone, as shown and described.

DESCRIPTION

FIG. 1 is a perspective view of a mobile phone; FIG. 2 is a front view of the mobile phone of FIG. 1; FIG. 3 is a rear view of the mobile phone of FIG. 1; FIG. 4 is a left-side view of the mobile phone of FIG. 1; FIG. 5 is a right-side view of the mobile phone of FIG. 1; FIG. 6 is a top plan view of the mobile phone of FIG. 1; FIG. 7 is a bottom plan view of the mobile phone of FIG. 1; FIG. 8 is an open-top view of the mobile phone of FIG. 1; FIG. 9 is a partial enlarged view of FIG. 4 that is included to more clearly depict the design feature on the front of the mobile phone, as viewed from the left-side view (a-a', b-b', c-c' d-d') of FIG. 4; and, FIG. 10 is a partial enlarged view of FIG. 5 that is included to more clearly depict the design feature on the front of the mobile phone, as viewed from the right-side view (e-e', f-f', g-g' h-h') of FIG. 5. The broken line immediately adjacent the shaded area represents an unclaimed boundary while all other broken lines are directed to environment and are for illustrative purposes only; the broken lines form no part of the claimed design.

1 Claim, 8 Drawing Sheets



U.S. PATENT DOCUMENTS

D615,519 S * 5/2010 Kim et al. D14/138 G
D618,200 S * 6/2010 Kim et al. D14/138 AD
D619,557 S * 7/2010 Han et al. D14/138 AD
D624,044 S * 9/2010 Lee et al. D14/138 AD
D624,045 S * 9/2010 Lee et al. D14/138 G
D628,184 S * 11/2010 Jung et al. D14/138 G
D629,776 S * 12/2010 Lee et al. D14/138 AD
D629,783 S * 12/2010 Kim et al. D14/138 G
D636,368 S * 4/2011 Kim D14/138 AD
D639,765 S * 6/2011 Lee D14/138 G
2006/0205451 A1 * 9/2006 Pan 455/575.4
2009/0061963 A1 * 3/2009 Miyaoka 455/575.4
2009/0163250 A1 * 6/2009 Park 455/566
2009/0312065 A1 * 12/2009 Wang et al. 455/566
2010/0056232 A1 * 3/2010 Lim et al. 455/575.1
2010/0099464 A1 * 4/2010 Kim 455/566
2010/0251152 A1 * 9/2010 Cho et al. 715/765

OTHER PUBLICATIONS

LG Apex, announced Nov. 2010, [online], [retrieved on Jan. 6, 2011].
Retrieved from Internet ,<URL: <http://www.gsmarena.com>>.*
LG Optimus Net, announced Jul. 2011, [online], [retrieved on Aug.
19, 2011]. Retrieved from Internet ,<URL: <http://www.gsmarena.com>>.*
Samsung S5620 Monte, announced Feb. 2010, [online], [retrieved on
Feb. 17, 2010]. Retrieved from Internet ,<URL: <http://www.gsmarena.com>>.*
Samsung 4G LTE, announced Jan. 2011, [online], [retrieved on Feb.
1, 2011]. Retrieved from Internet ,<URL: <http://www.gsmarena.com>>.*

* cited by examiner

FIG. 1

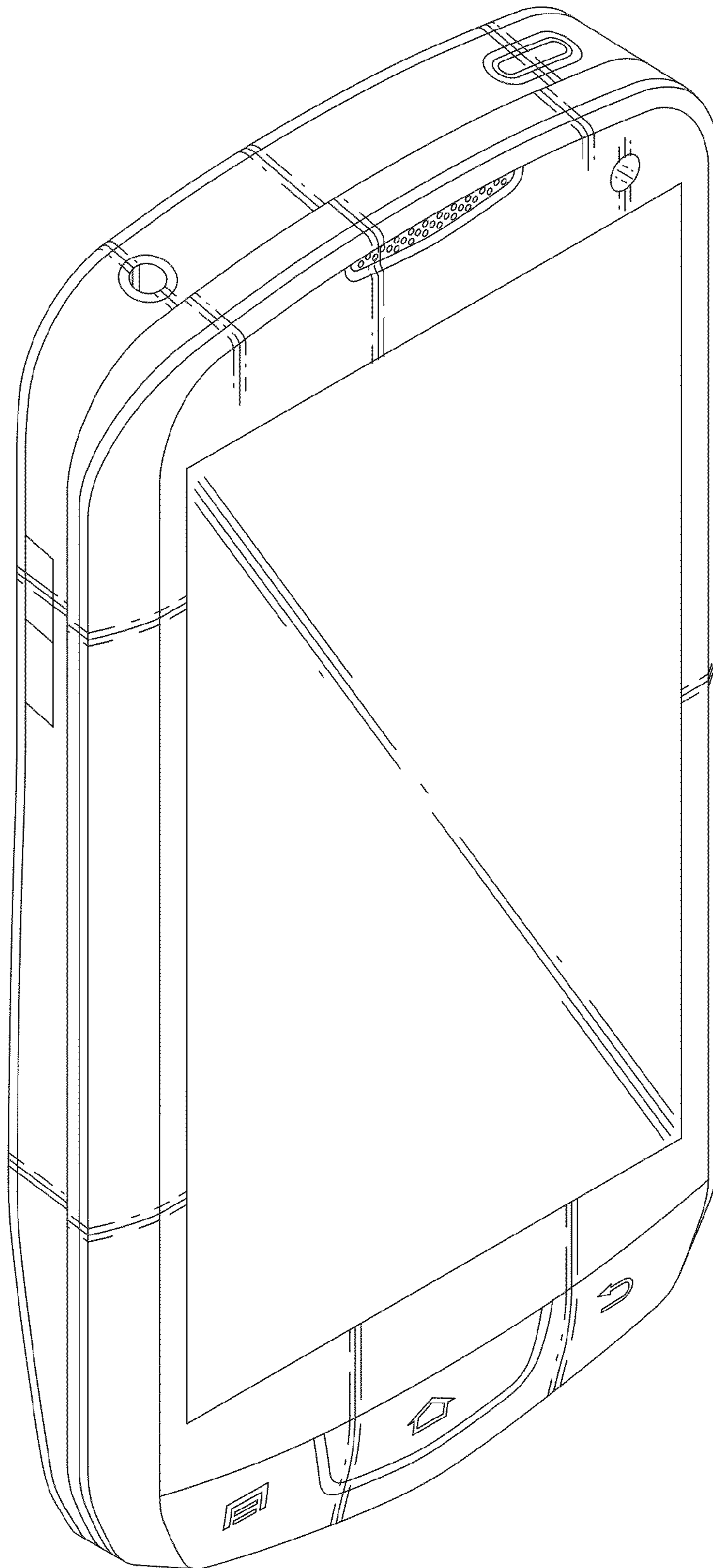


FIG. 2

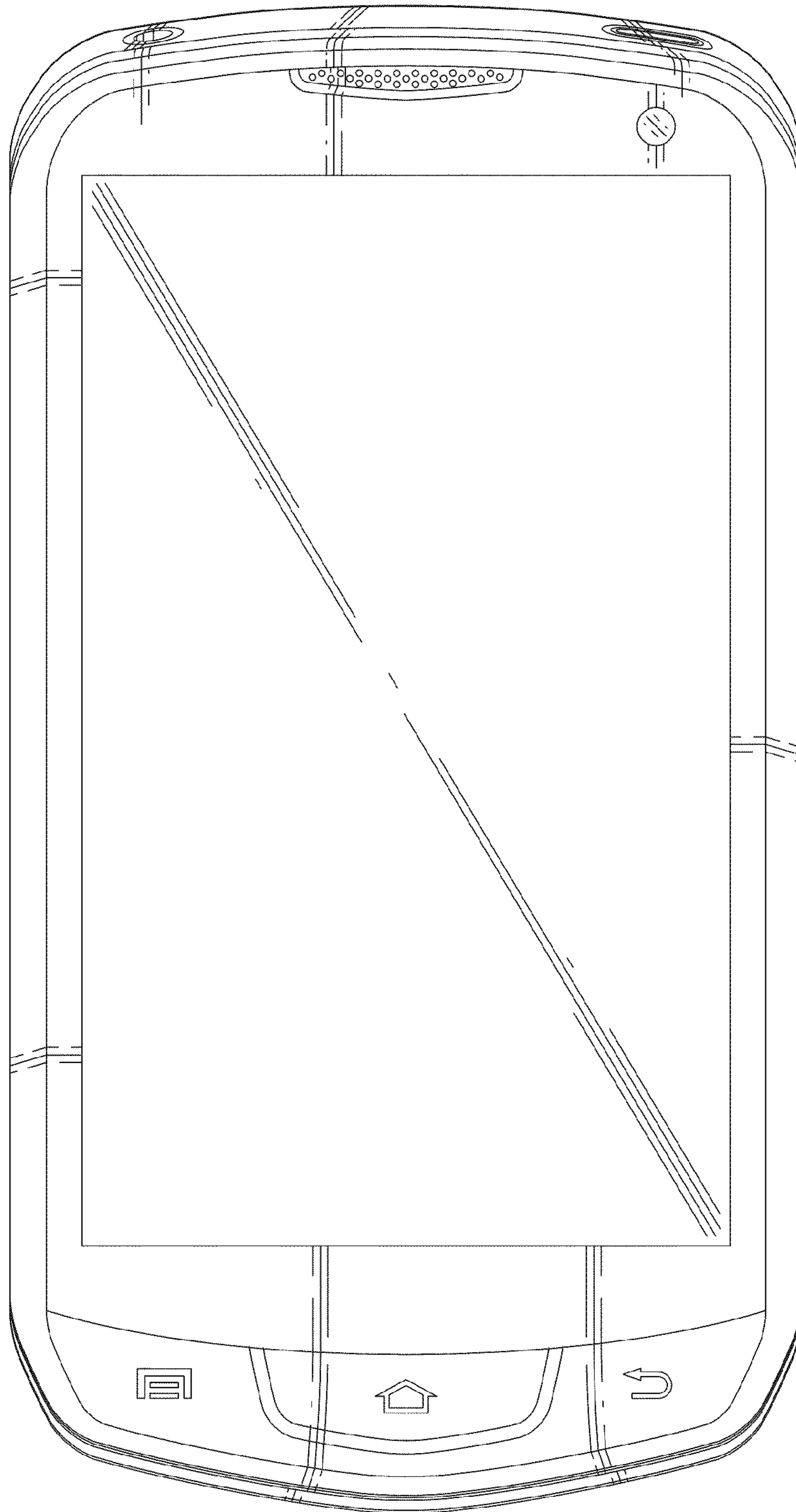


FIG. 3

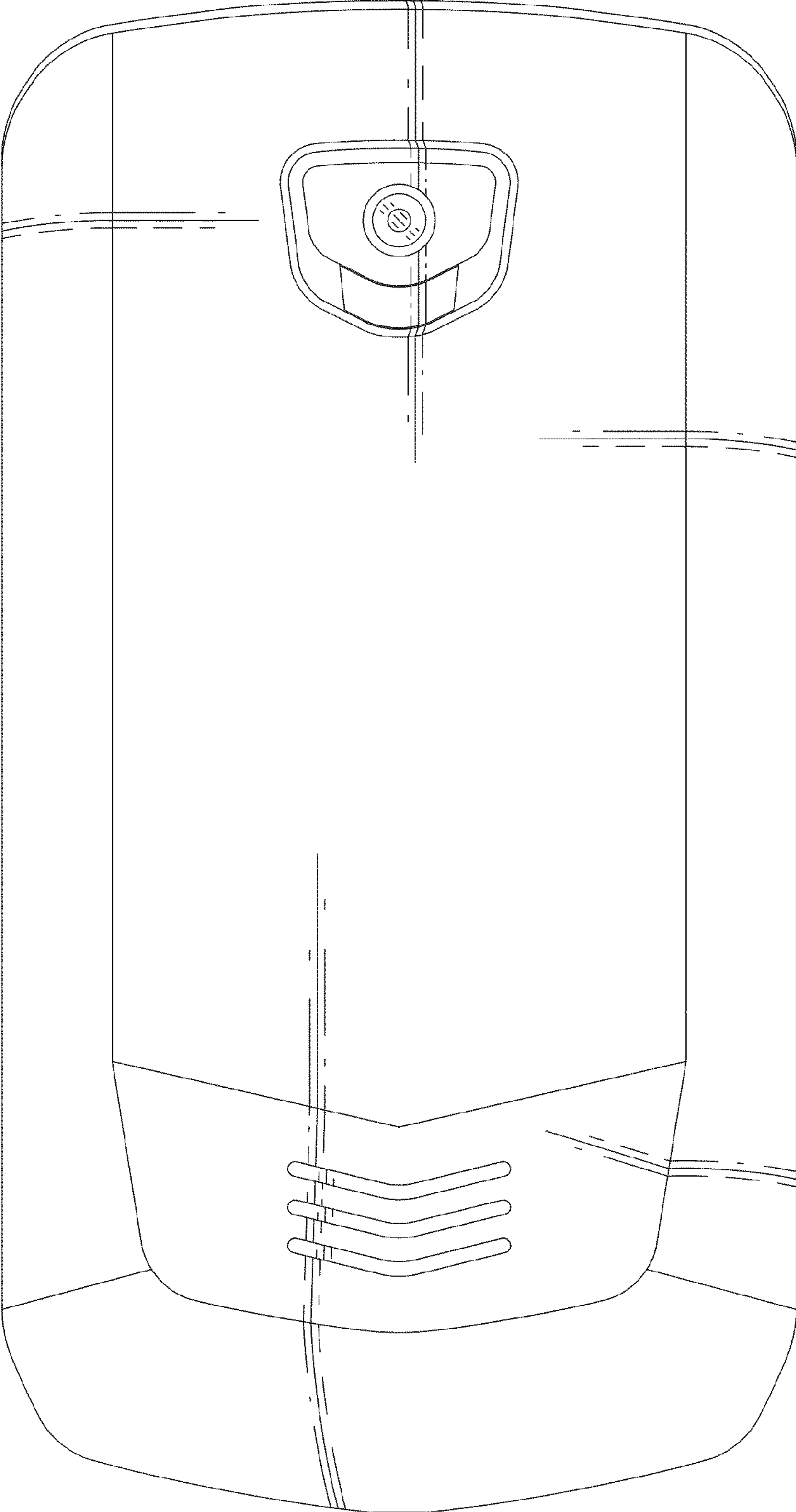


FIG. 4

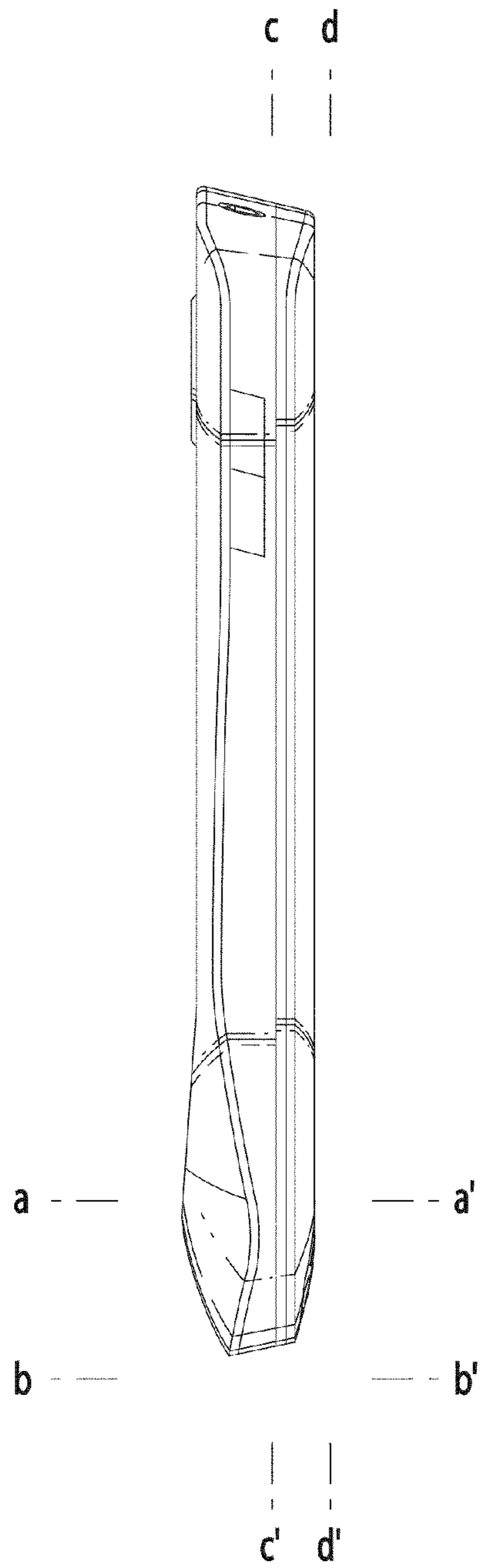


FIG. 5

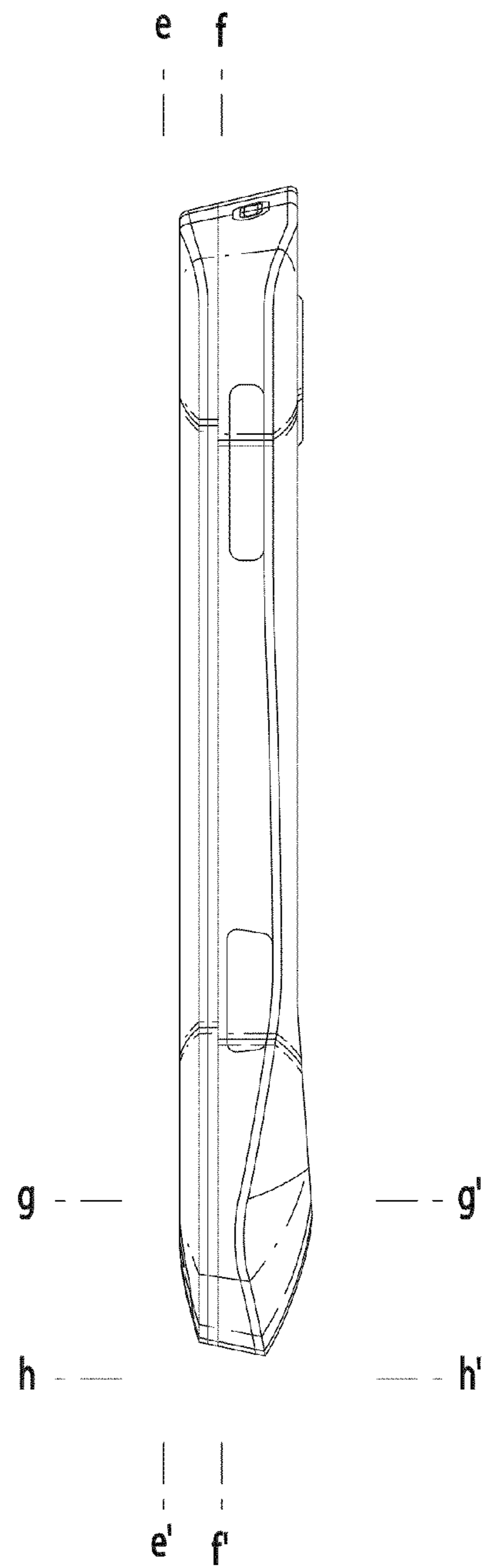


FIG. 6

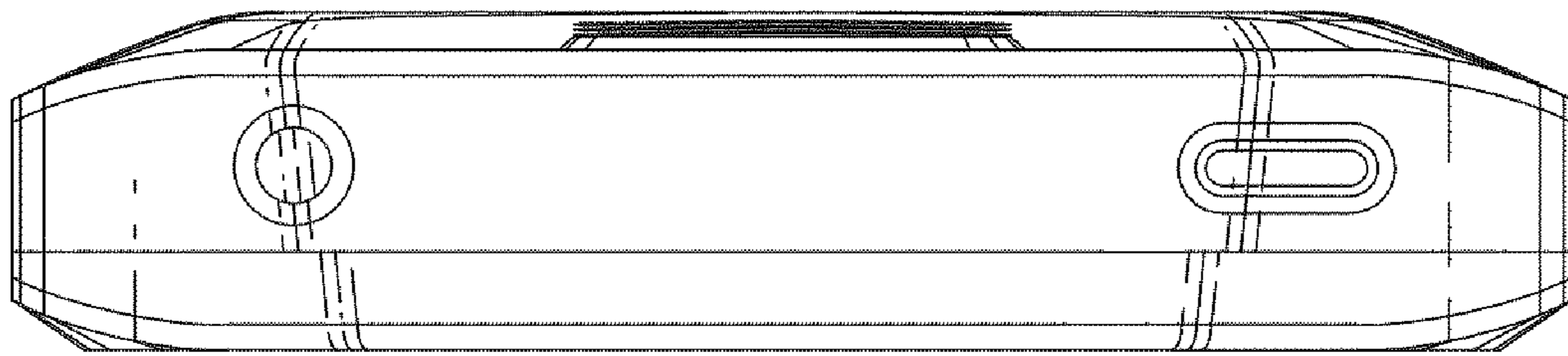


FIG. 7

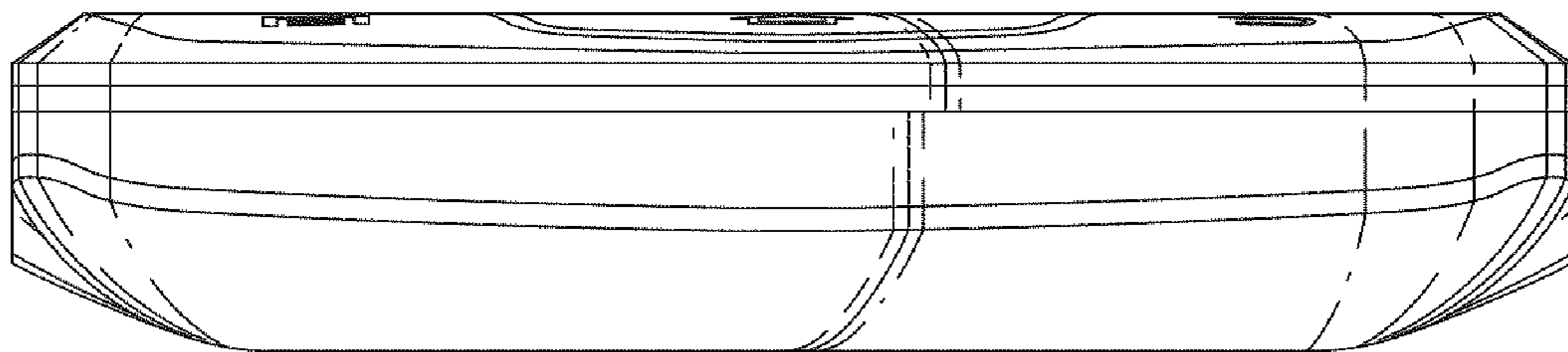


FIG. 8

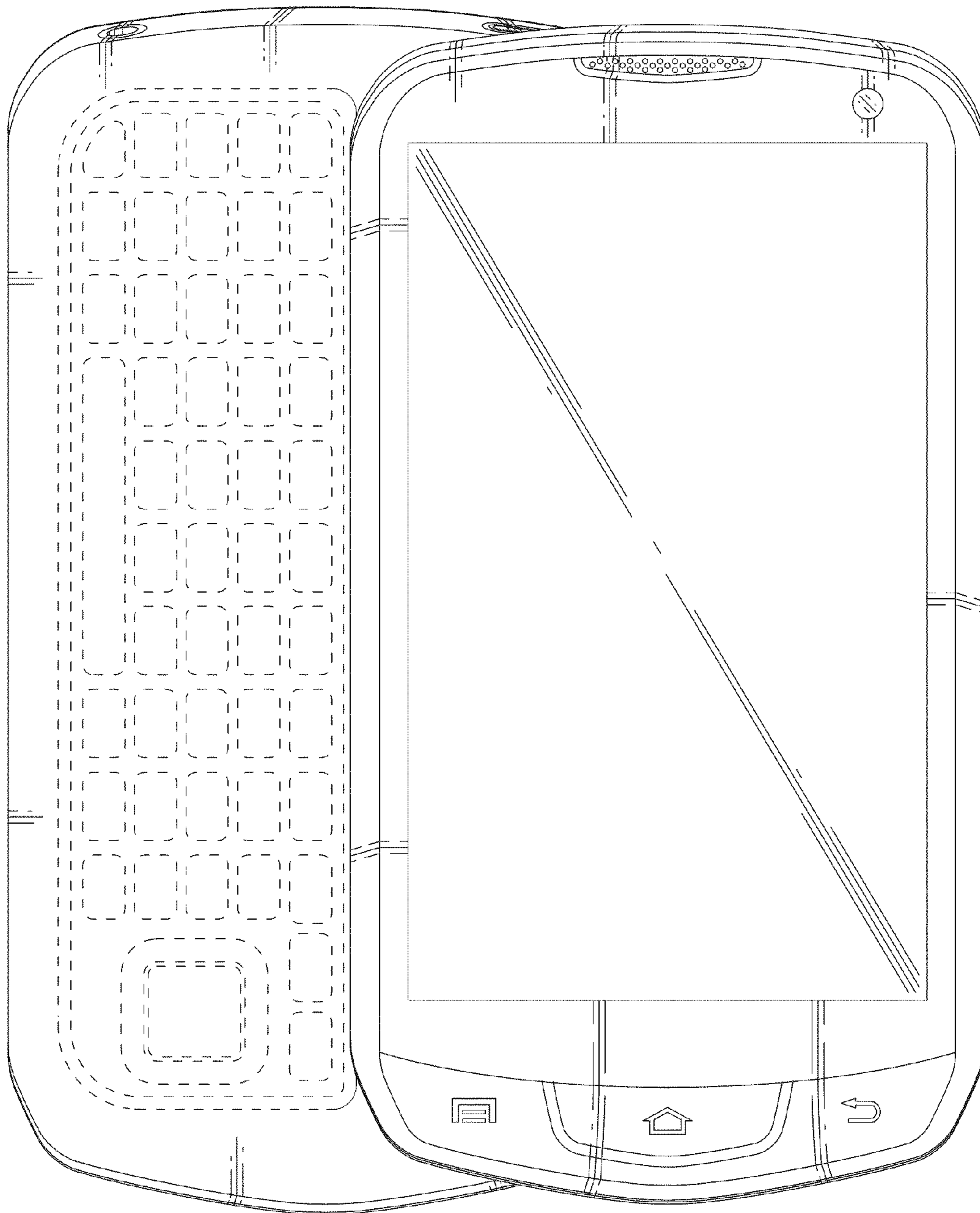


FIG. 9

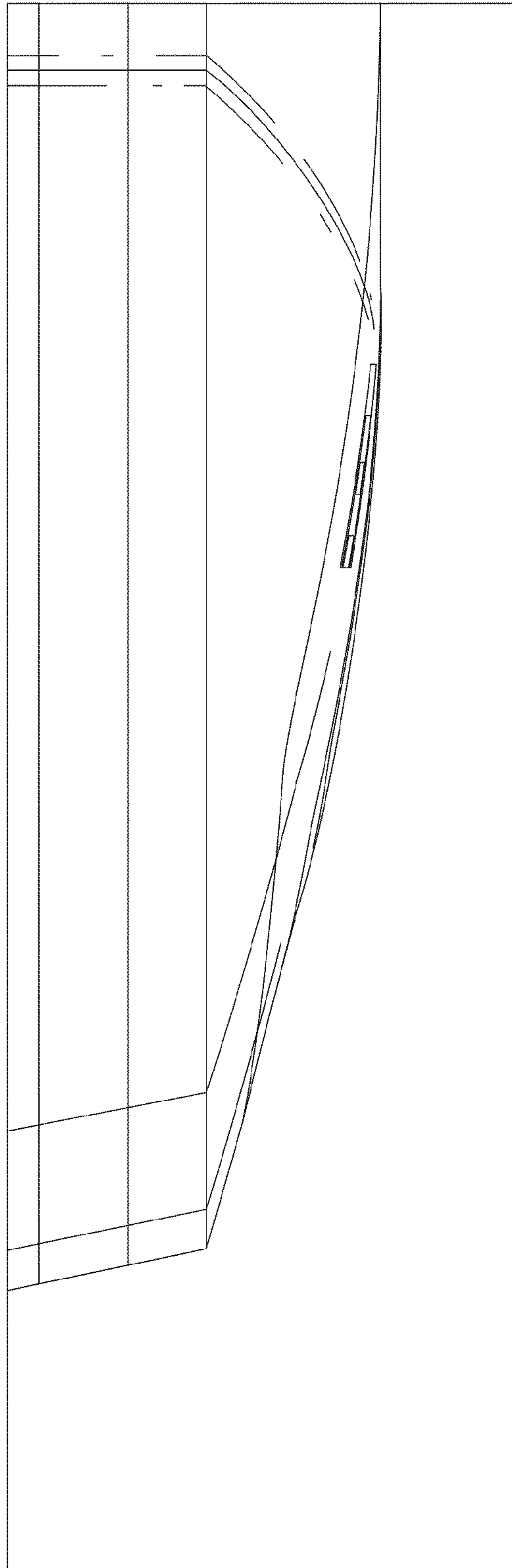


FIG. 10

