



US00D654896S

(12) **United States Design Patent**  
**Kim**

(10) **Patent No.:** **US D654,896 S**

(45) **Date of Patent:** **\*\* Feb. 28, 2012**

(54) **MOBILE PHONE**

(75) Inventor: **Nam-Su Kim**, Seoul (KR)

(73) Assignee: **Samsung Electronics Co., Ltd.** (KR)

(\*\*) Term: **14 Years**

(21) Appl. No.: **29/387,535**

(22) Filed: **Mar. 15, 2011**

(30) **Foreign Application Priority Data**

Dec. 24, 2010 (KR) ..... 30-2010-0055764

(51) **LOC (9) Cl.** ..... **14-03**

(52) **U.S. Cl.** ..... **D14/138 G**

(58) **Field of Classification Search** ..... D14/138 R,  
D14/138 AD, 138 AC, 138 C, 138 G, 191,  
D14/203.1-203.8, 496, 138 AA, 138 AB,  
D14/137, 147, 218, 341-347, 247-248; D10/65,  
D10/78, 104; D13/168; D18/7; 455/566,  
455/575.1, 575.3, 575.4

See application file for complete search history.

(56) **References Cited**

**U.S. PATENT DOCUMENTS**

D539,773 S *	4/2007	Kim et al.	.....	D14/138 AC
D554,097 S *	10/2007	Lee	.....	D14/138 AD
D581,894 S *	12/2008	Kim	.....	D14/138 G
D593,551 S *	6/2009	Ferrari et al.	.....	D14/341
D594,433 S *	6/2009	Seo et al.	.....	D14/138 AD
D597,508 S *	8/2009	Kim et al.	.....	D14/138 AD
D603,356 S *	11/2009	Sterzick et al.	.....	D14/138 G
D607,865 S *	1/2010	Lee et al.	.....	D14/138 AD
D615,519 S *	5/2010	Kim et al.	.....	D14/138 G
D617,757 S *	6/2010	Kim et al.	.....	D14/138 AD
D618,200 S *	6/2010	Kim et al.	.....	D14/138 AD

D619,557 S *	7/2010	Han et al.	.....	D14/138 AD
D624,044 S *	9/2010	Lee et al.	.....	D14/138 AD
D624,045 S *	9/2010	Lee et al.	.....	D14/138 G

(Continued)

**OTHER PUBLICATIONS**

Acer Android phone, announced Nov. 2010, [online], [retrieved on Jan. 6, 2011]. Retrieved from Internet, <URL: <http://www.gsmarena.com>>.\*

(Continued)

*Primary Examiner* — Bridget L Eland

(74) *Attorney, Agent, or Firm* — NSIP Law

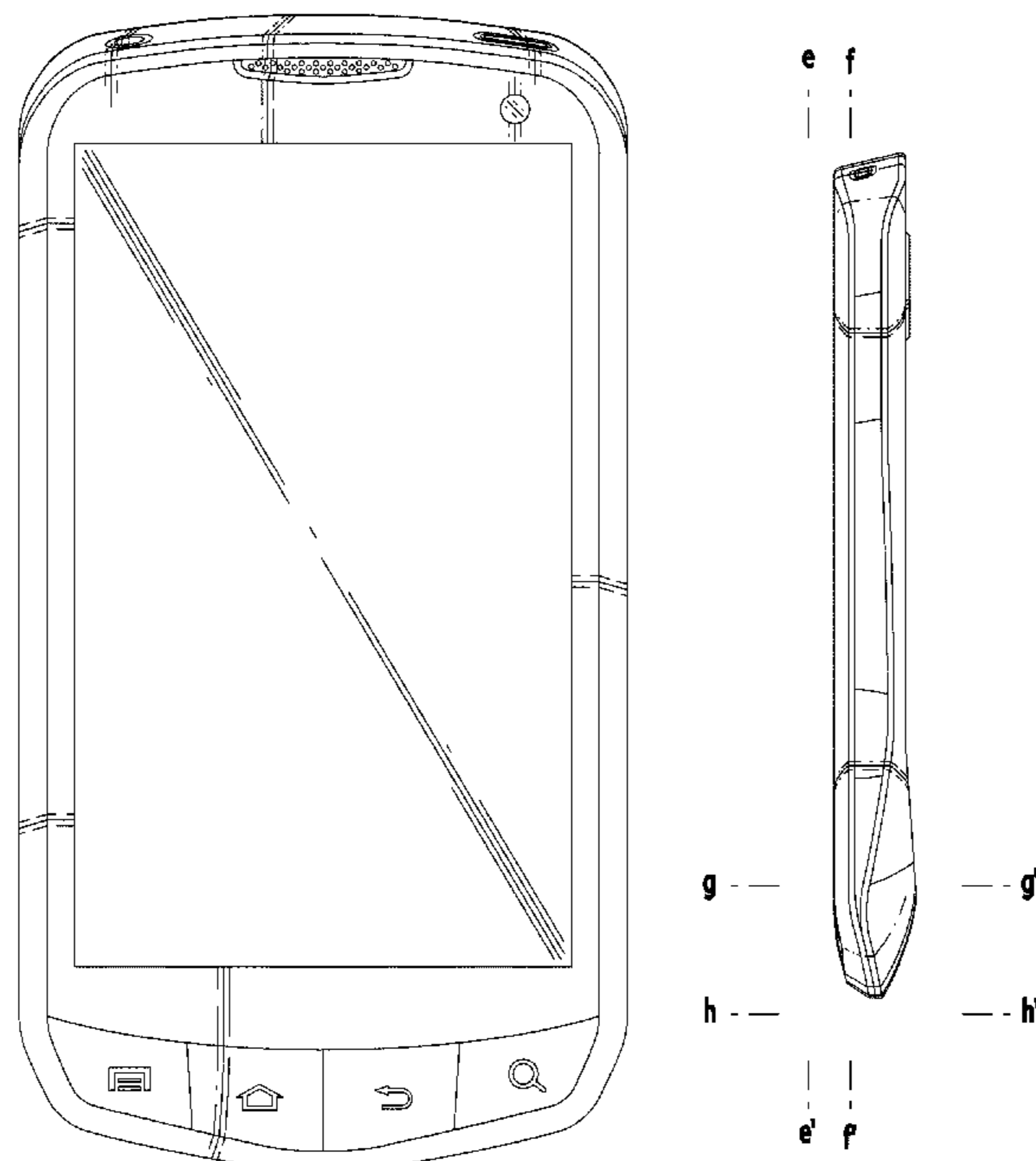
(57) **CLAIM**

The ornamental design for a mobile phone, as shown and described.

**DESCRIPTION**

FIG. 1 is a perspective view of a mobile phone; FIG. 2 is a front view of the mobile phone of FIG. 1; FIG. 3 is a rear view of the mobile phone of FIG. 1; FIG. 4 is a left-side view of the mobile phone of FIG. 1; FIG. 5 is a right-side view of the mobile phone of FIG. 1; FIG. 6 is a top plan view of the mobile phone of FIG. 1; FIG. 7 is a bottom plan view of the mobile phone of FIG. 1; FIG. 8 is a partial enlarged view of FIG. 4 that is included to more clearly depict the design feature on the front of the mobile phone, as viewed from the left-side view (a-a', b-b', c-c' d-d') of FIG. 4; and, FIG. 9 is a partial enlarged view of FIG. 5 that is included to more clearly depict the design feature on the front of the mobile phone, as viewed from the right-side view (e-e', f-f', g-g' h-h') of FIG. 5.

**1 Claim, 7 Drawing Sheets**



# US D654,896 S

Page 2

---

## U.S. PATENT DOCUMENTS

D628,183 S \* 11/2010 Kim et al. .... D14/138 G  
D633,070 S \* 2/2011 Tzeng ..... D14/138 G  
D636,368 S \* 4/2011 Kim ..... D14/138 AD  
D637,990 S \* 5/2011 Lee et al. .... D14/138 AD  
D640,221 S \* 6/2011 Lee et al. .... D14/138 AD  
D640,222 S \* 6/2011 Dearsley ..... D14/138 G  
2006/0205451 A1\* 9/2006 Pan ..... 455/575.4  
2009/0061963 A1\* 3/2009 Miyaoka ..... 455/575.4  
2009/0163250 A1\* 6/2009 Park ..... 455/566

2010/0056232 A1\* 3/2010 Lim et al. .... 455/575.1  
2010/0099464 A1\* 4/2010 Kim ..... 455/566  
2010/0251152 A1\* 9/2010 Cho et al. .... 715/765

## OTHER PUBLICATIONS

Samsung 4G LTE, announced Jan. 2011, [online], [retrieved on Feb. 1, 2011]. Retrieved from Internet ,<URL: <http://www.gsmarena.com>>.\*

\* cited by examiner

FIG. 1

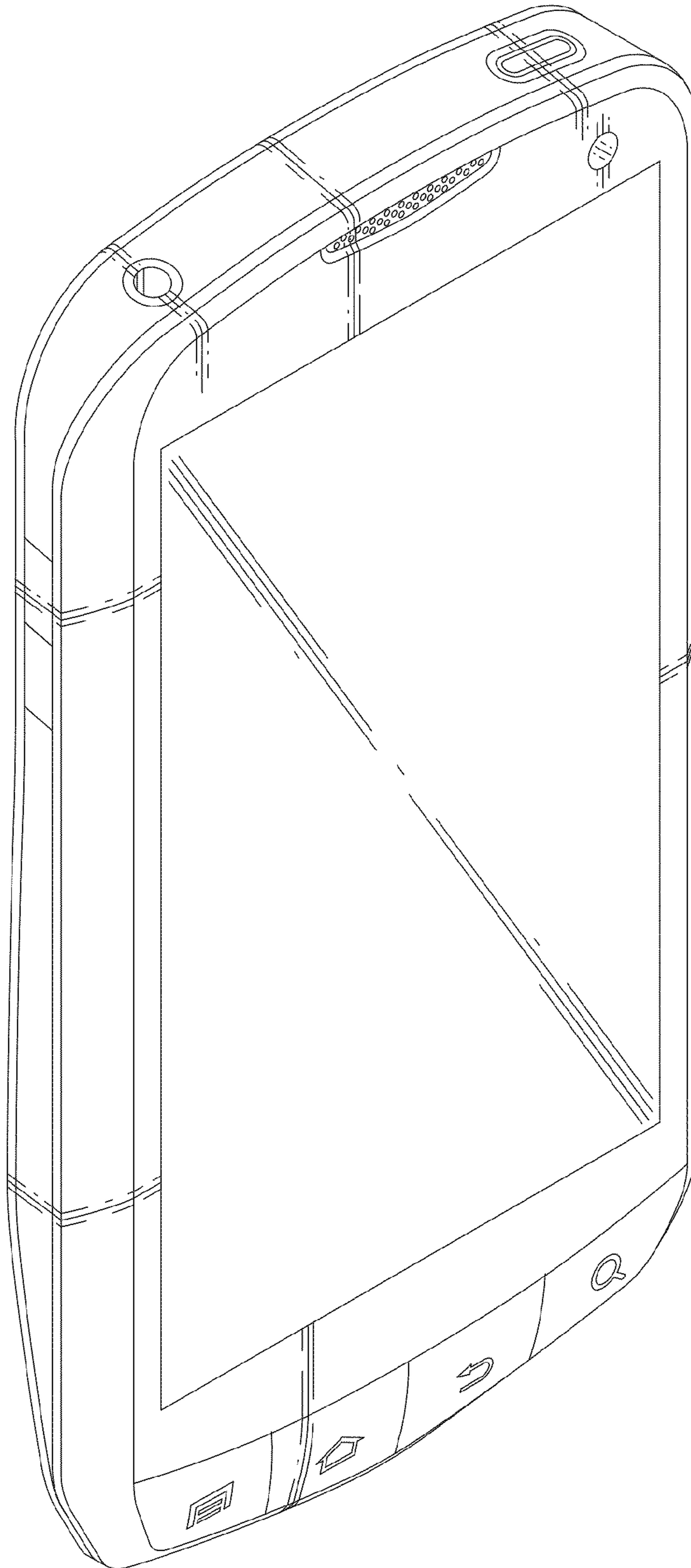


FIG. 2

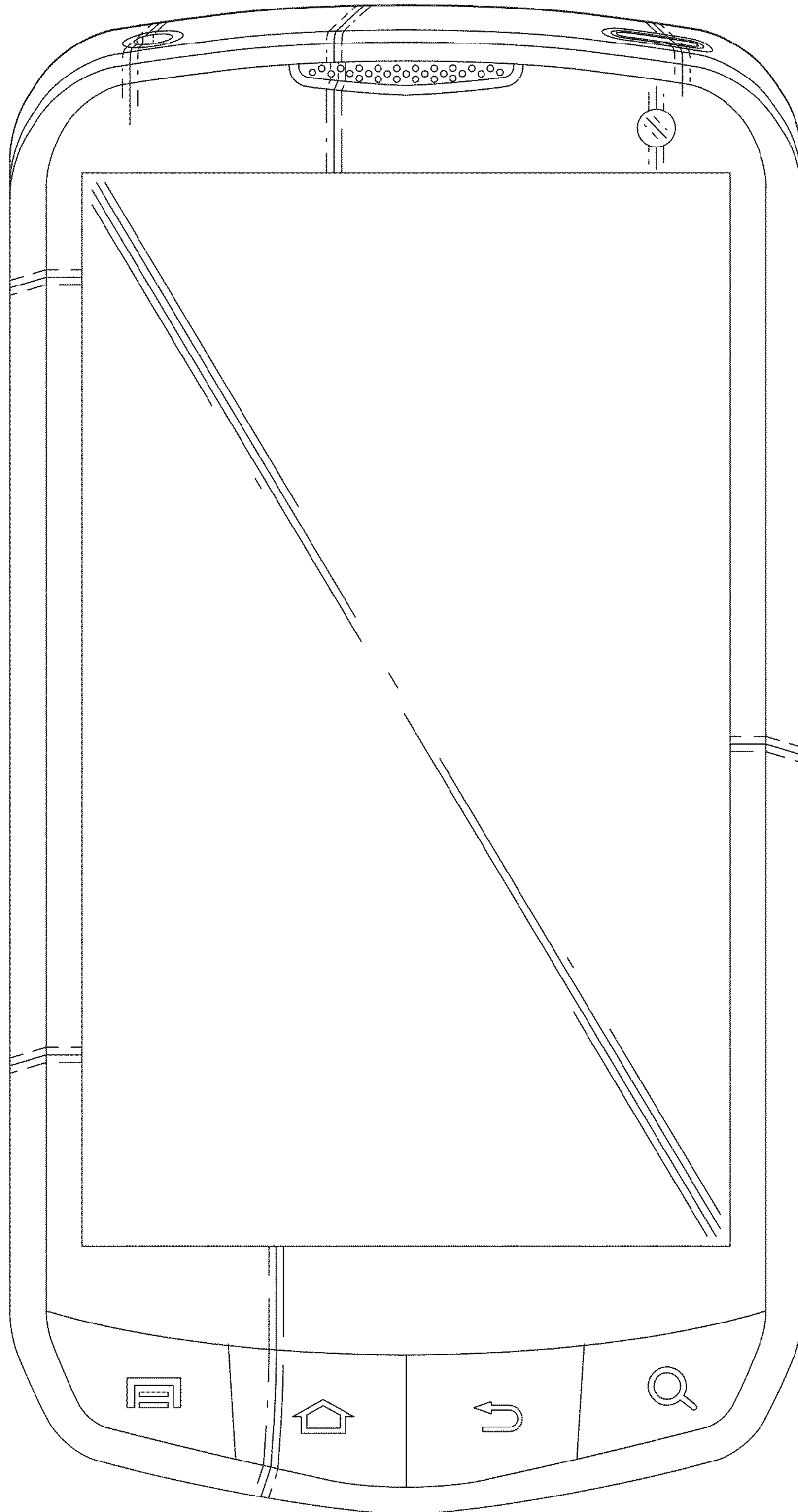


FIG. 3

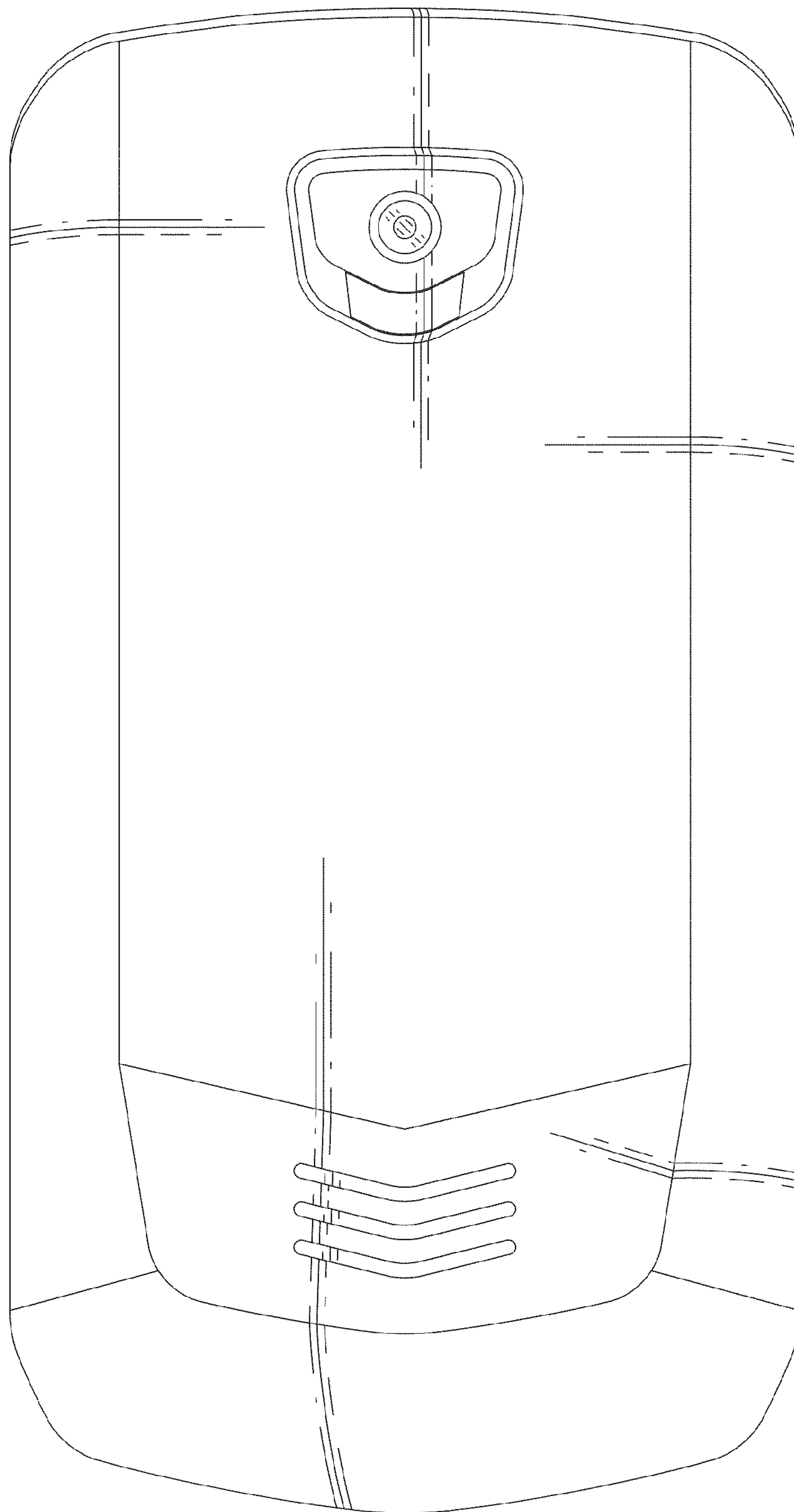


FIG. 4

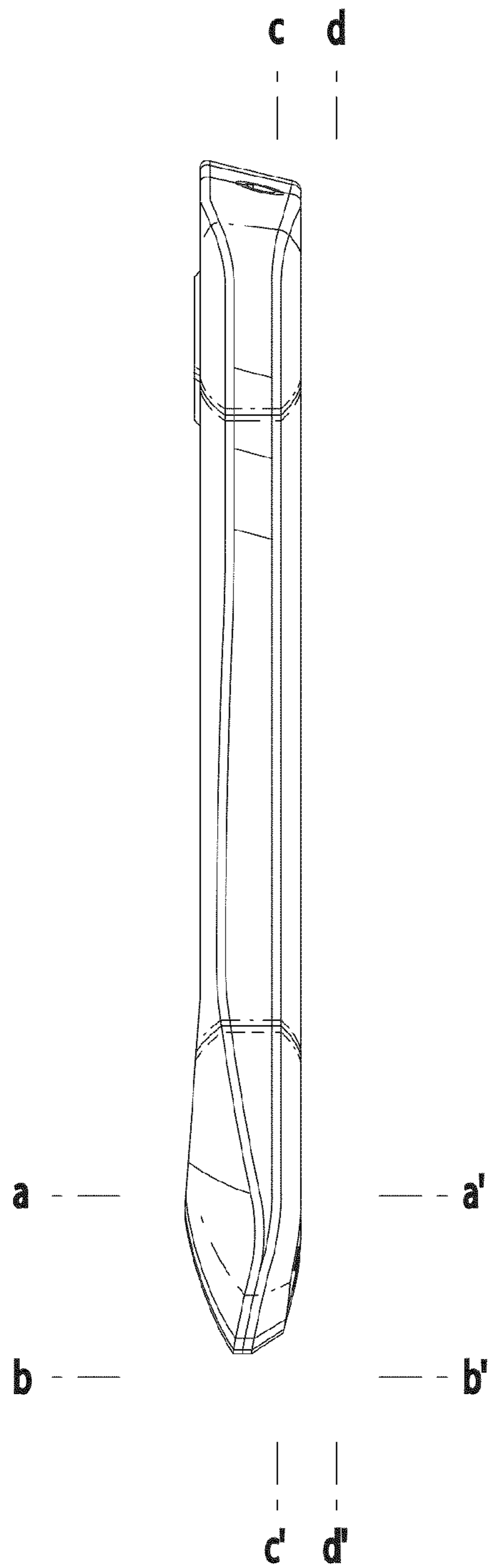


FIG. 5

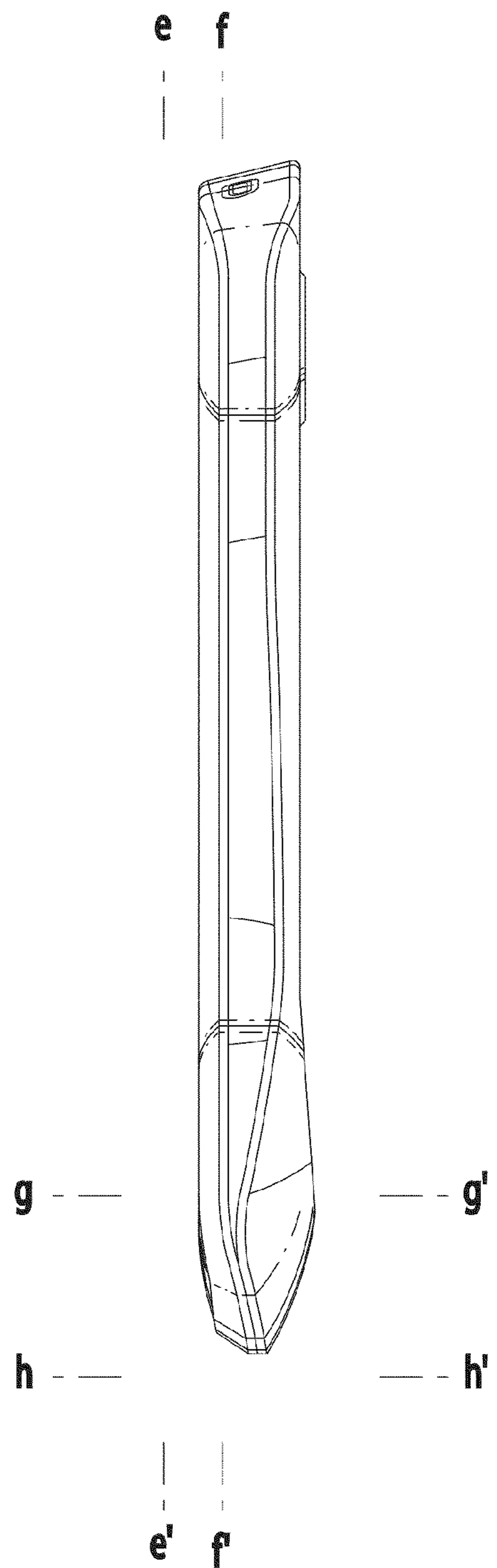


FIG. 6

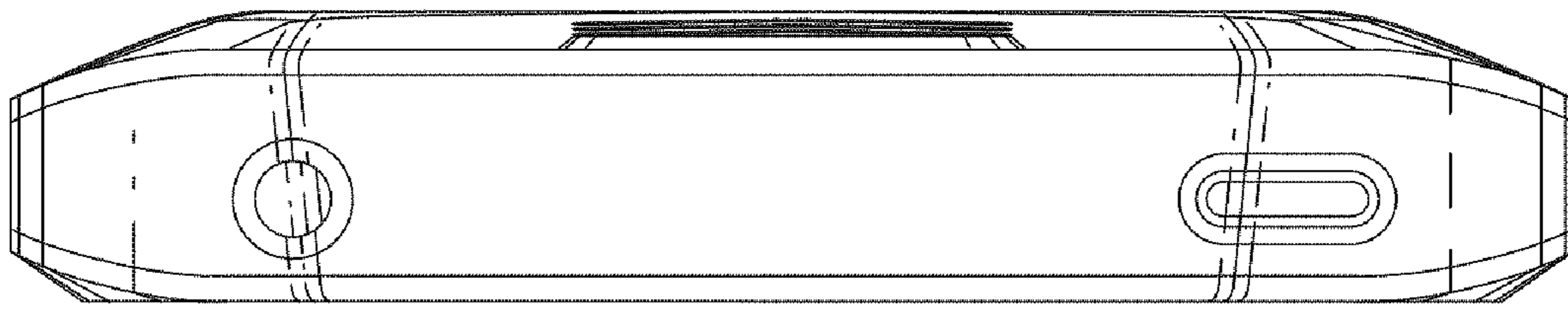


FIG. 7

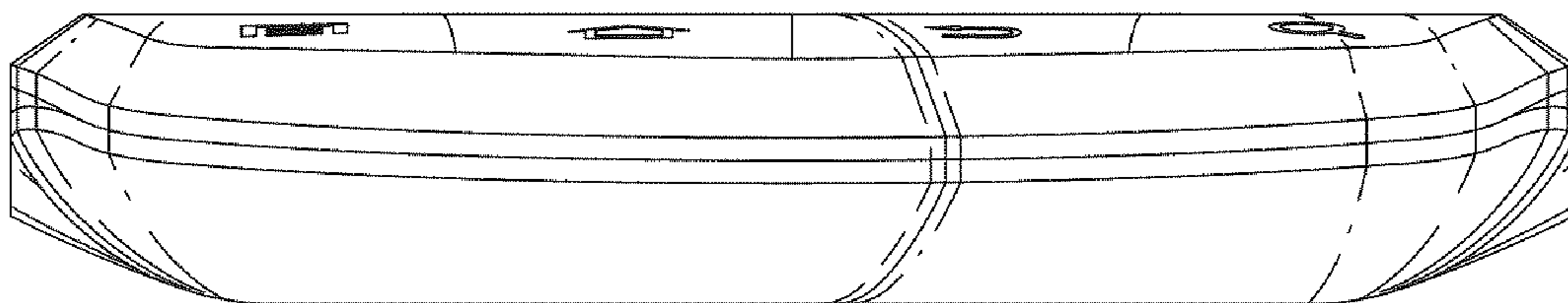


FIG. 8

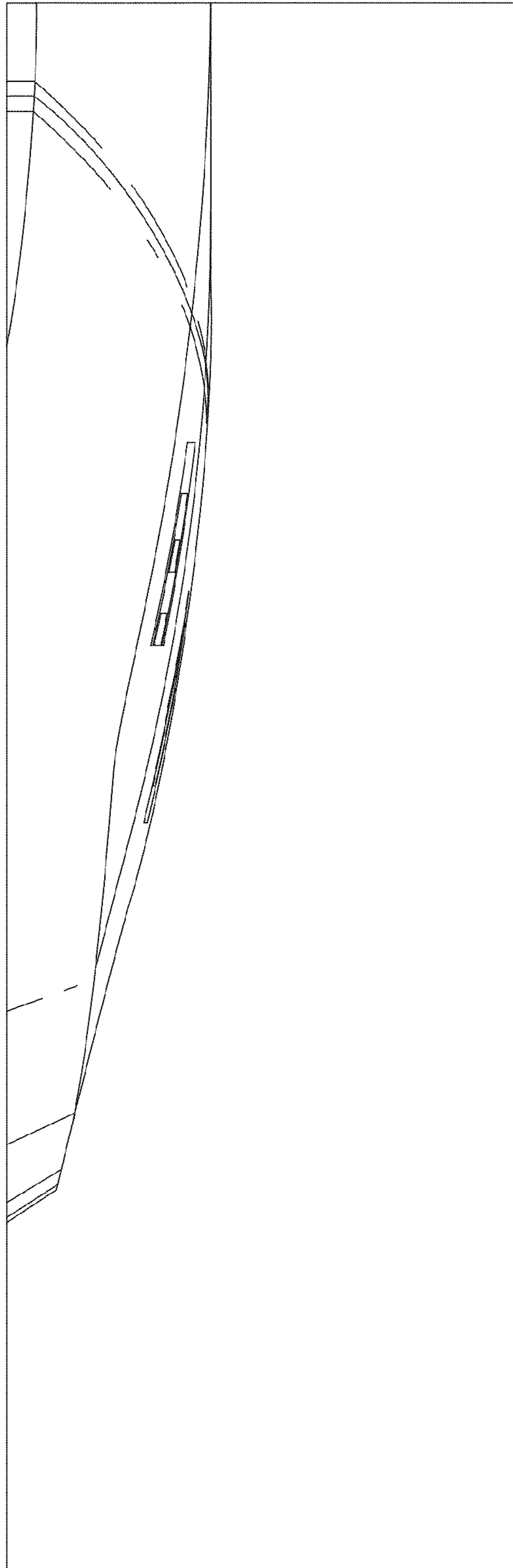




FIG. 9

