



US00D654894S

(12) **United States Design Patent**
Kim

(10) **Patent No.:** **US D654,894 S**
(45) **Date of Patent:** **** Feb. 28, 2012**

(54) **MOBILE PHONE**

(75) **Inventor:** **Tae-Ho Kim, Yongin-Si (KR)**

(73) **Assignee:** **Samsung Electronics Co., Ltd. (KR)**

(**) **Term:** **14 Years**

(21) **Appl. No.:** **29/387,531**

(22) **Filed:** **Mar. 15, 2011**

(30) **Foreign Application Priority Data**

Dec. 24, 2010 (KR) 30-2010-0055759

(51) **LOC (9) Cl.** **14-03**

(52) **U.S. Cl.** **D14/138 G**

(58) **Field of Classification Search** D14/138 AD,
D14/138 G, 138 R, 138 AC, 138 C, 496,
D14/341, 345, 346, 203.7, 247, 248, 218,
D14/138 AA, 138 AB; 455/575.1, 556.2,
455/556.1, 575.4, 566; D10/65; D13/168

See application file for complete search history.

(56) **References Cited**

U.S. PATENT DOCUMENTS

D572,227 S *	7/2008	Yoon et al.	D14/138 G
D578,500 S *	10/2008	Lee et al.	D14/138 G
D580,387 S *	11/2008	Andre et al.	D14/138 G
D589,487 S *	3/2009	Park et al.	D14/138 AD
D589,924 S *	4/2009	Jung et al.	D14/138 AD
D596,605 S *	7/2009	Son et al.	D14/138 AD
D597,067 S *	7/2009	Oh et al.	D14/203.7
D606,506 S *	12/2009	Choi et al.	D14/138 AD
D615,946 S *	5/2010	Mun	D14/138 G
D618,200 S *	6/2010	Kim et al.	D14/138 AD
D618,655 S *	6/2010	Sandberg	D14/138 G
D619,555 S *	7/2010	Yang et al.	D14/138 G
D629,783 S *	12/2010	Kim et al.	D14/138 G

D631,029 S *	1/2011	Park et al.	D14/138 G
D633,066 S *	2/2011	Park et al.	D14/138 AD
D633,067 S *	2/2011	Park et al.	D14/138 AD
D633,892 S *	3/2011	Chen	D14/138 AD
D635,537 S *	4/2011	Kim	D14/138 G
D635,950 S *	4/2011	Lee et al.	D14/138 G
D635,951 S *	4/2011	Park et al.	D14/138 G
D643,007 S *	8/2011	Song	D14/138 G
D645,014 S *	9/2011	Chung	D14/138 G
D645,017 S *	9/2011	Kim et al.	D14/138 G
2009/0312065 A1 *	12/2009	Wang et al.	455/566

OTHER PUBLICATIONS

Samsung E2652 Champ Duos telephone, announced Feb. 2011, [online], [site visited Sep. 20, 2011]. Available from Internet, <URL: <http://www.gsmarena.com>>.*

Samsung E2652W Champ Duos telephone, announced Feb. 2011, [online], [site visited Sep. 20, 2011]. Available from Internet, <URL: <http://www.gsmarena.com>>.*

(Continued)

Primary Examiner — Jeffrey D Asch

(74) *Attorney, Agent, or Firm* — NSIP Law

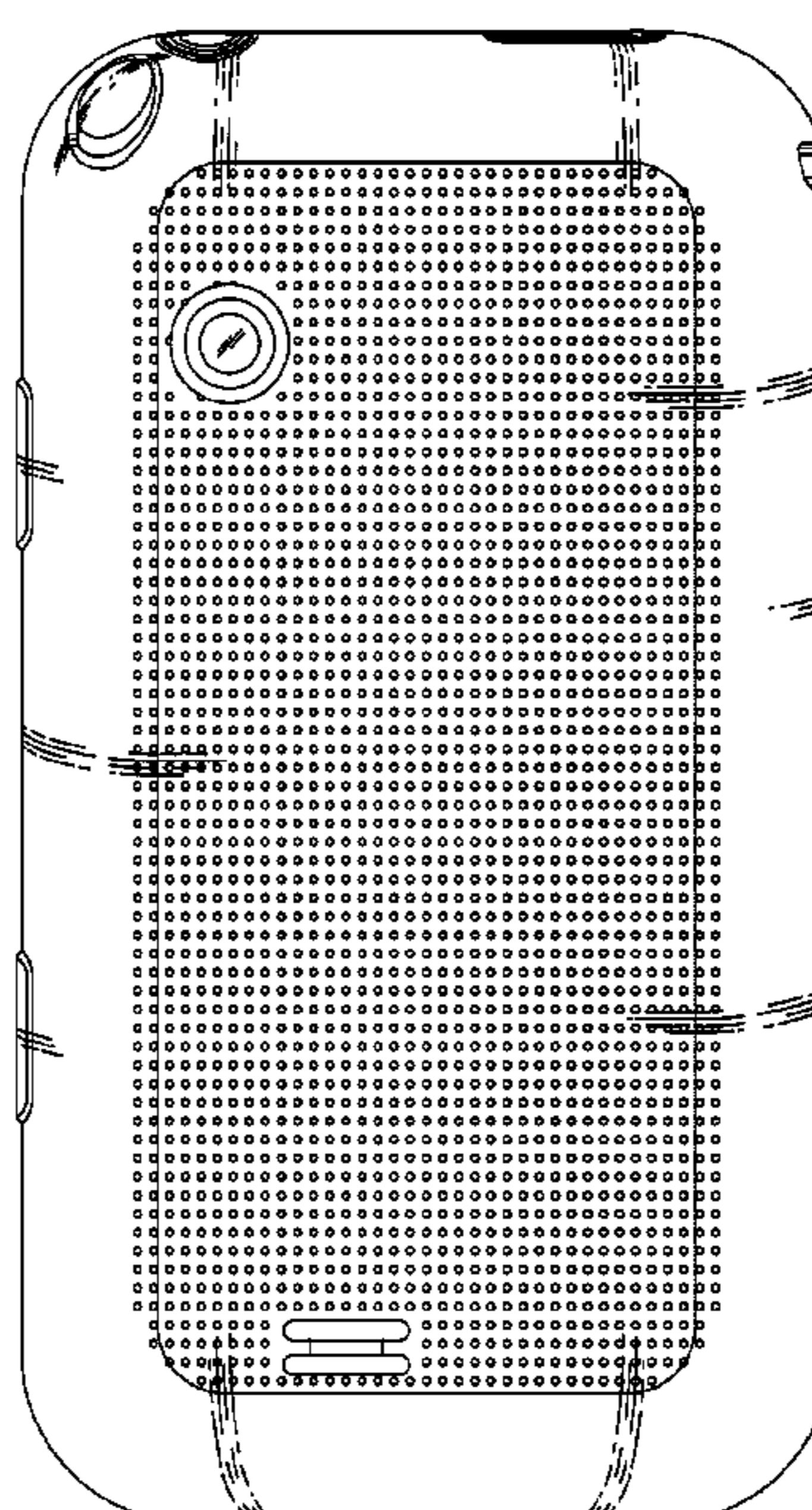
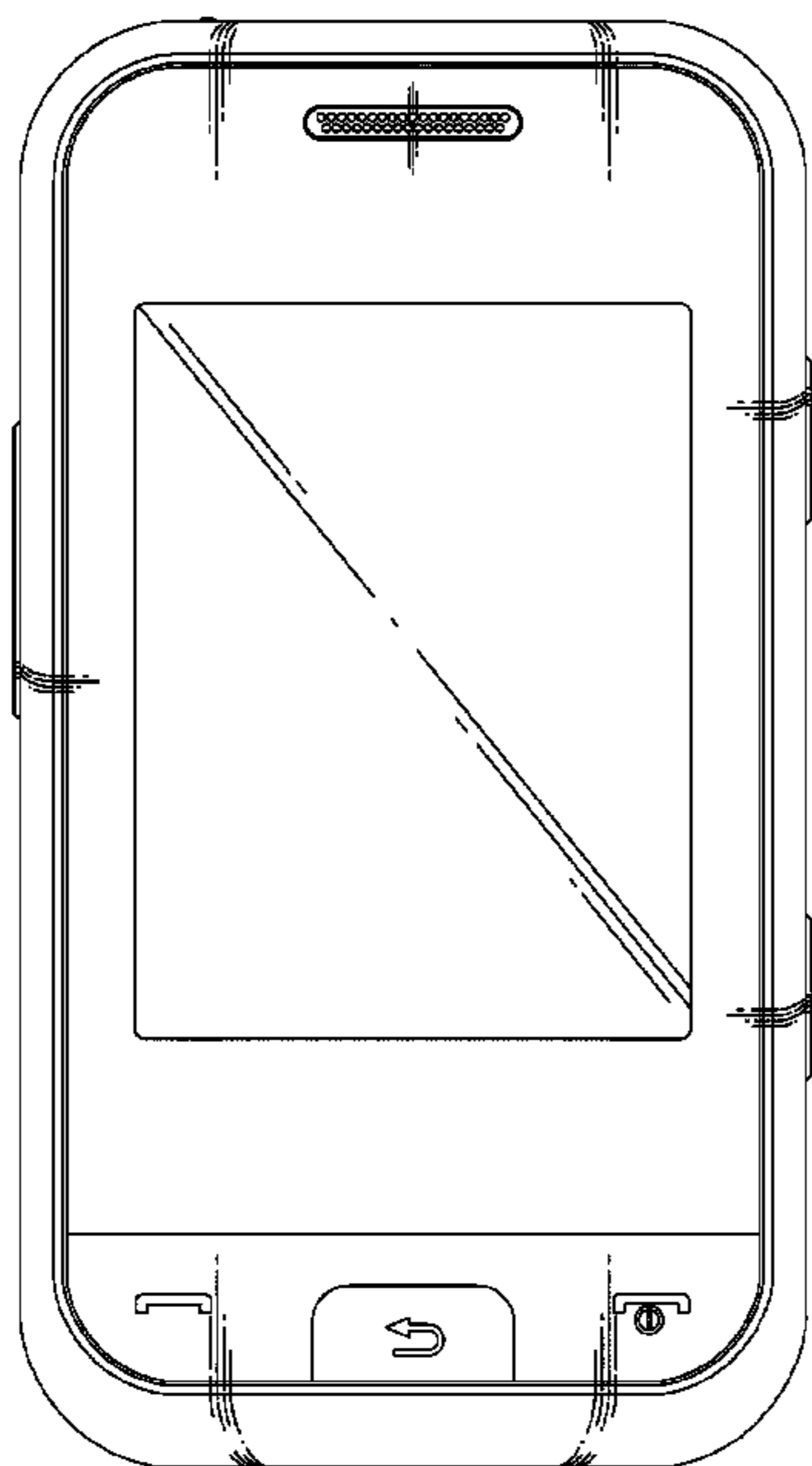
(57) **CLAIM**

The ornamental design for a mobile phone, as shown and described.

DESCRIPTION

FIG. 1 is a perspective view of a mobile phone; FIG. 2 is a front view of the mobile phone of FIG. 1; FIG. 3 is a rear view of the mobile phone of FIG. 1; FIG. 4 is a left-side view of the mobile phone of FIG. 1; FIG. 5 is a right-side view of the mobile phone of FIG. 1; FIG. 6 is a top plan view of the mobile phone of FIG. 1; and, FIG. 7 is a bottom plan view of the mobile phone of FIG. 1.

1 Claim, 5 Drawing Sheets



OTHER PUBLICATIONS

Samsung C3300K Champ telephone, announced May 2010, [online], [site visited Sep. 20, 2011]. Available from Internet, <URL: <http://www.gsmarena.com>>.*

Samsung Ch@t 350 telephone, announced Feb. 2011, [online], [site visited Sep. 20, 2011]. Available from Internet, <URL: <http://www.gsmarena.com>>.*

LG KP502 Cookie Champ Duos telephone, announced Jun. 2009, [online], [site visited Sep. 20, 2011]. Available from Internet, <URL: <http://www.gsmarena.com>>.*

Pantech Vega Xs telephone, announced Dec. 2010, [online], [site visited Sep. 20, 2011]. Available from Internet, <URL: <http://www.gsmarena.com>>.*

Samsung I6220 Star TV telephone, announced Aug. 2009, [online], [site visited Sep. 20, 2011]. Available from Internet, <URL: <http://www.gsmarena.com>>.*

Toshiba TG01 telephone, announced Jan. 2009, [online], [site visited Sep. 20, 2011]. Available from Internet, <URL: <http://www.gsmarena.com>>.*

* cited by examiner

FIG. 1

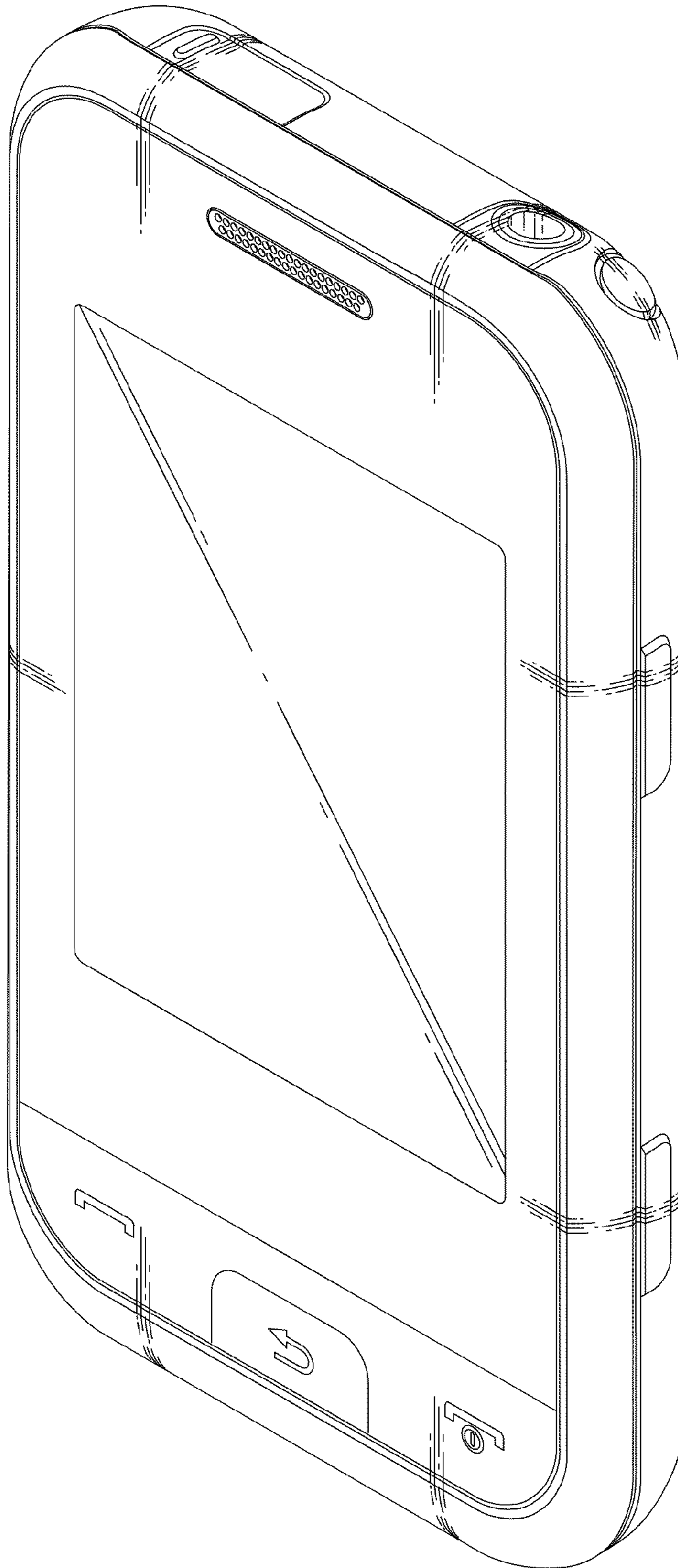


FIG. 2

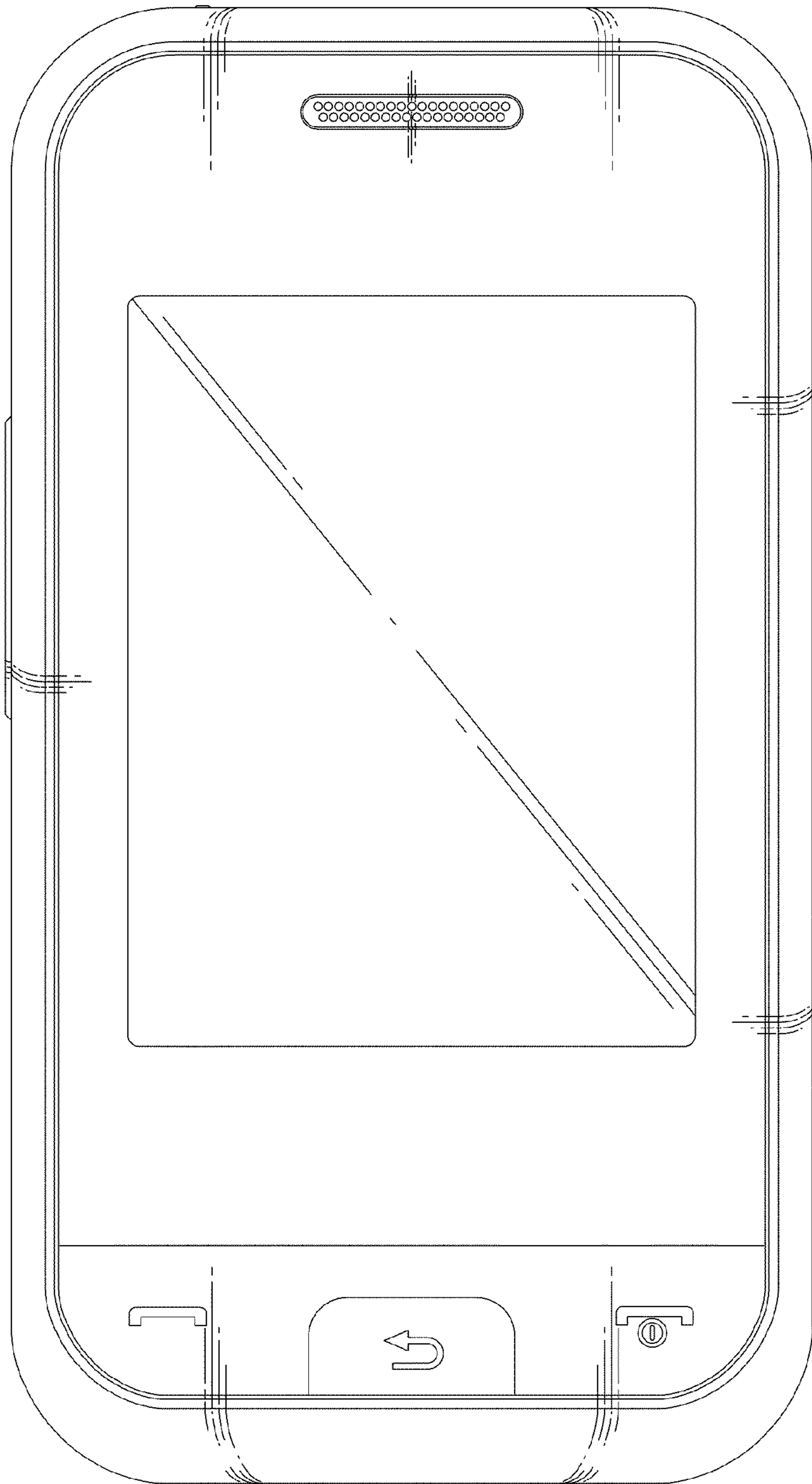


FIG. 3

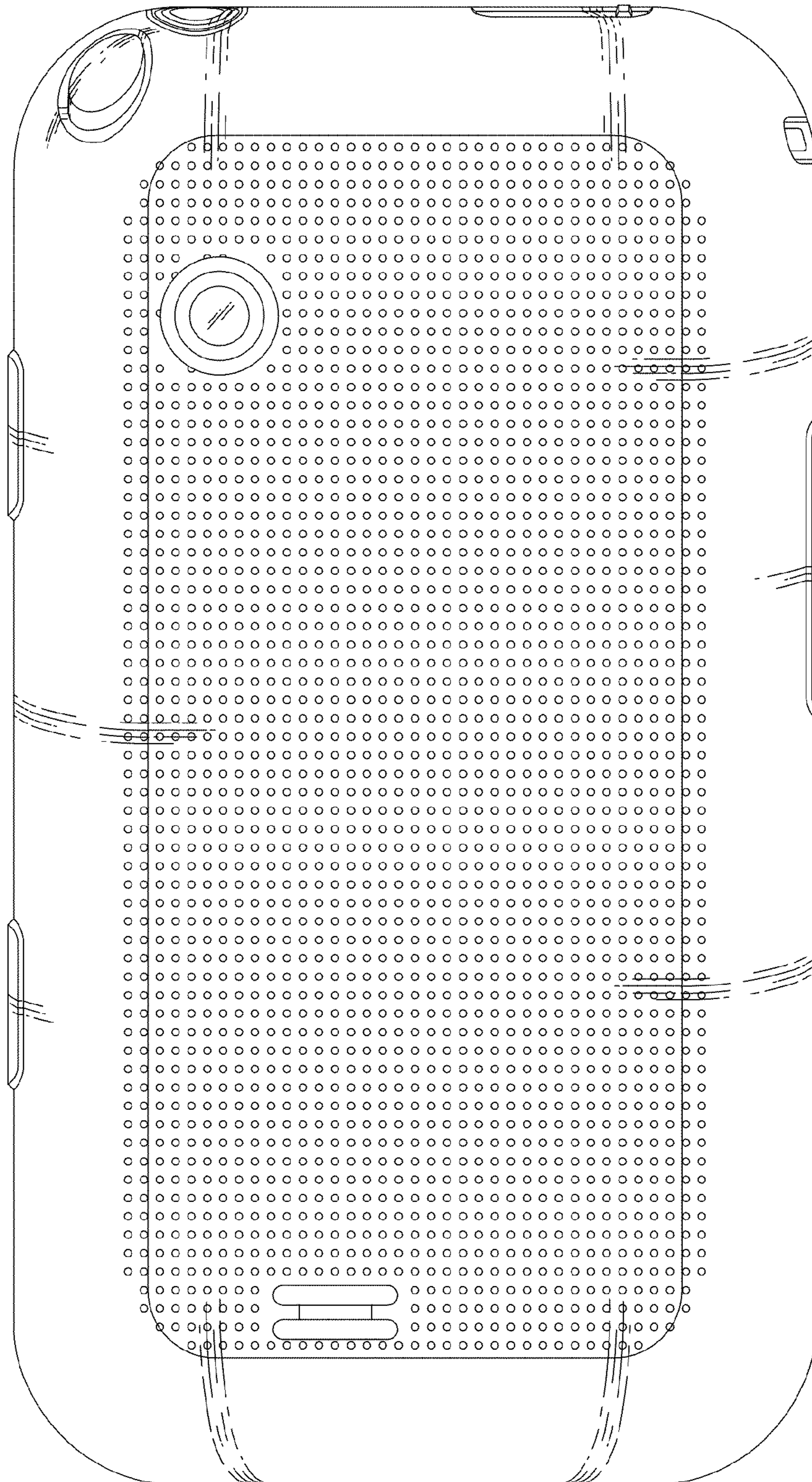


FIG 4

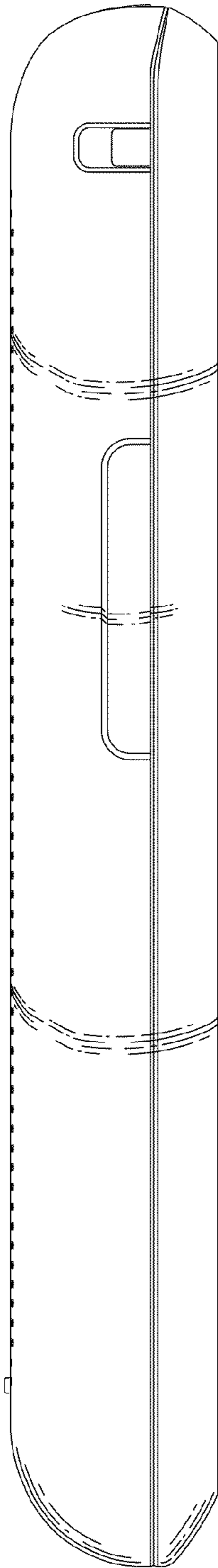


FIG 5

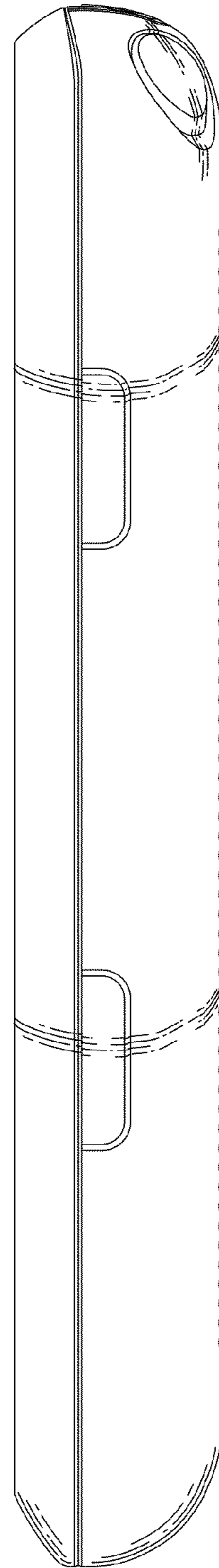


FIG. 6

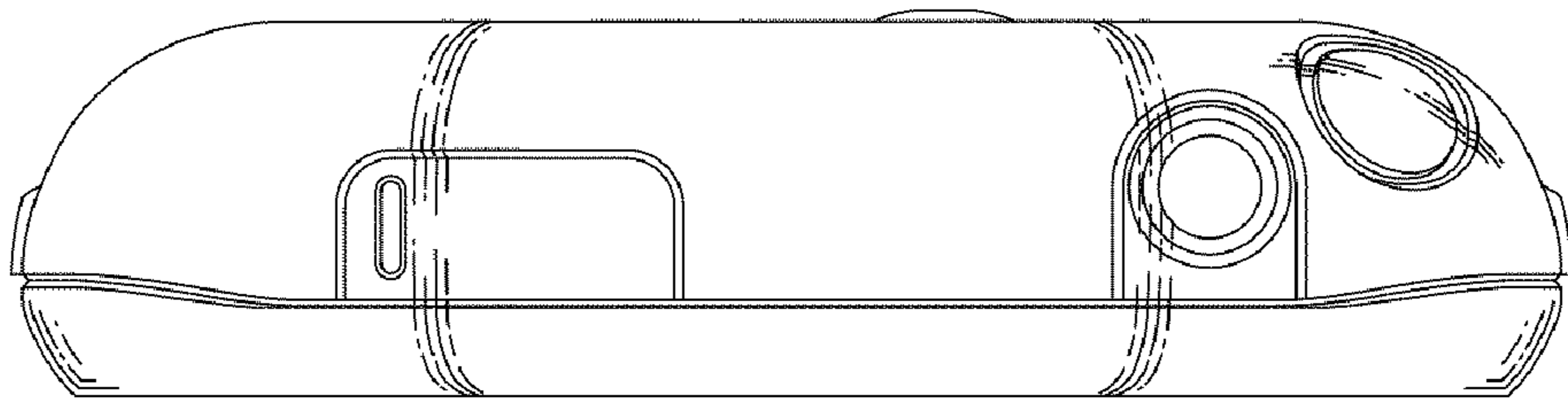


FIG. 7

