



US00D654890S

(12) **United States Design Patent**
Jung et al.

(10) **Patent No.:** **US D654,890 S**

(45) **Date of Patent:** **** Feb. 28, 2012**

(54) **MOBILE PHONE**

(75) Inventors: **Jong-Bo Jung**, Seoul (KR); **Sang-Sung Woo**, Seoul (KR)

(73) Assignee: **Samsung Electronics Co., Ltd.** (KR)

(**) Term: **14 Years**

(21) Appl. No.: **29/387,291**

(22) Filed: **Mar. 11, 2011**

(30) **Foreign Application Priority Data**

Dec. 17, 2010 (KR) 30-2010-0054760

(51) **LOC (9) Cl.** **14-03**

(52) **U.S. Cl.** **D14/138 AD; D14/138 G**

(58) **Field of Classification Search** D14/138 R,
D14/138 AD, 138 AC, 138 C, 138 G, 191,
D14/203.1–203.8, 496, 138 AA, 138 AB,
D14/137, 147, 218, 341–347, 247–248; D10/65,
D10/78, 104; D13/168; D18/7; 455/566,
455/575.1, 575.3, 575.4

See application file for complete search history.

(56) **References Cited**

U.S. PATENT DOCUMENTS

D561,252 S *	2/2008	Phillips et al.	D19/10
D574,281 S *	8/2008	Cherneff et al.	D10/106.9
D580,905 S *	11/2008	Park et al.	D14/138 AD
D584,272 S *	1/2009	Chung et al.	D14/138 G
D604,263 S *	11/2009	Kim	D14/138 G
D615,951 S *	5/2010	Kim et al.	D14/138 G
D618,650 S *	6/2010	Hyun et al.	D14/138 G
D619,555 S *	7/2010	Yang et al.	D14/138 G
7,813,123 B2 *	10/2010	Kuwajima et al.	361/679.56
D629,780 S *	12/2010	Woo et al.	D14/138 G

D631,028 S *	1/2011	Park et al.	D14/138 G
D631,029 S *	1/2011	Park et al.	D14/138 G
D633,064 S *	2/2011	Kim et al.	D14/138 AD
D633,461 S *	3/2011	Kim et al.	D14/138 AD
D635,538 S *	4/2011	Song et al.	D14/138 G
D635,540 S *	4/2011	Kim et al.	D14/138 G
D638,814 S *	5/2011	Sutherland et al.	D14/138 G

(Continued)

OTHER PUBLICATIONS

LG Optimus Chic E720, announced Jul. 2010, [online], [retrieved on Sep. 29, 2010]. Retrieved from Internet ,<URL: <http://www.gsmarena.com>>.*

(Continued)

Primary Examiner — Bridget L Eland

(74) *Attorney, Agent, or Firm* — NSIP Law

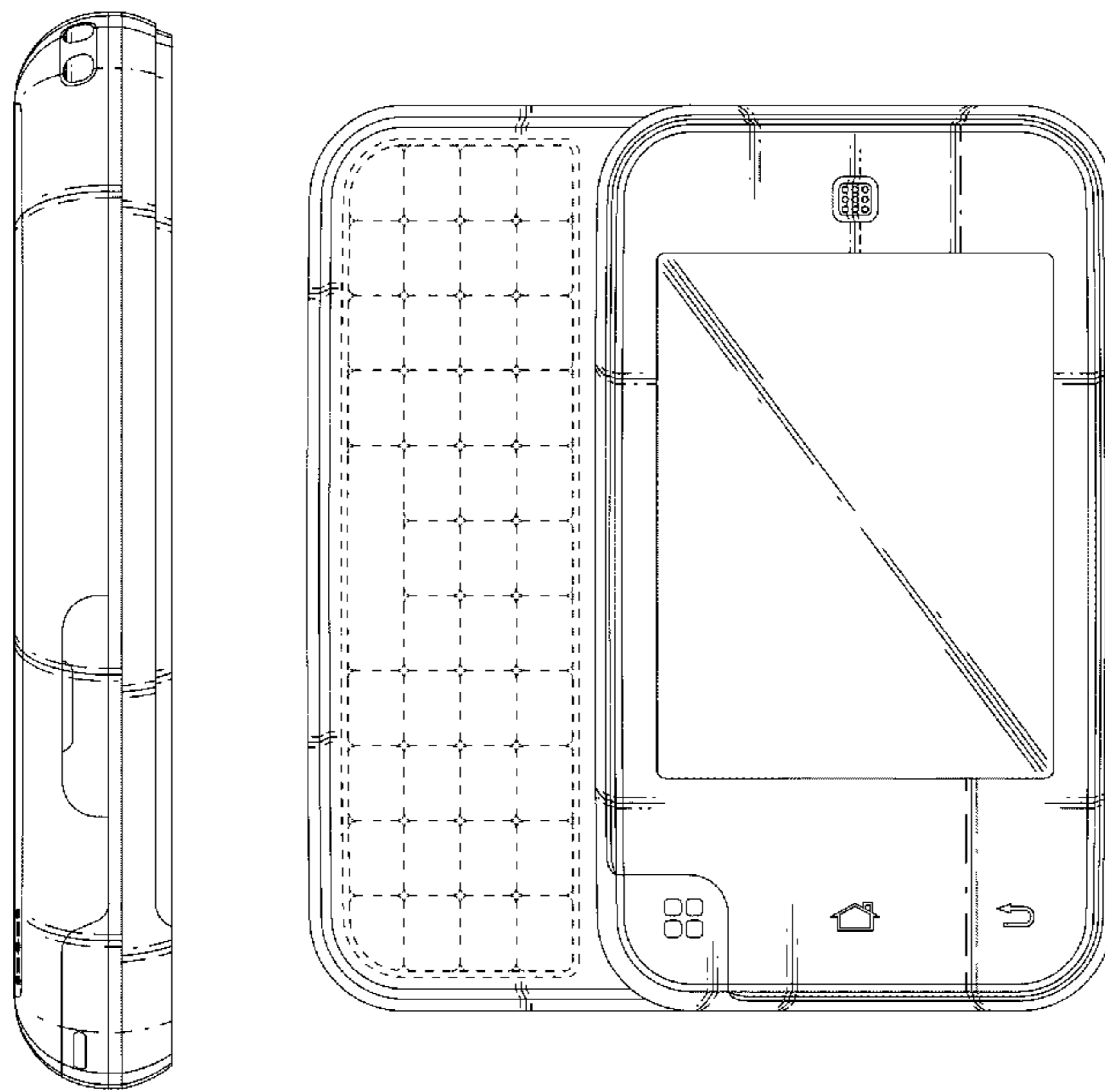
(57) **CLAIM**

The ornamental design for a mobile phone, as shown and described.

DESCRIPTION

FIG. 1 is a perspective view of a mobile phone; FIG. 2 is a front view of the mobile phone of FIG. 1; FIG. 3 is a rear view of the mobile phone of FIG. 1; FIG. 4 is a left-side view of the mobile phone of FIG. 1; FIG. 5 is a right-side view of the mobile phone of FIG. 1; FIG. 6 is a top plan view of the mobile phone of FIG. 1; and FIG. 7 is a bottom plan view of the mobile phone of FIG. 1; and, FIG. 8 is an open front view of the mobile phone of FIG. 1. The broken line immediately adjacent the shaded area represents an unclaimed boundary while all other broken lines are directed to environment and are for illustrative purposes only; the broken lines form no part of the claimed design.

1 Claim, 6 Drawing Sheets



US D654,890 S

Page 2

U.S. PATENT DOCUMENTS

D638,815 S * 5/2011 Lee et al. D14/138 G
D639,805 S * 6/2011 Song et al. D14/341
D640,216 S * 6/2011 Woo et al. D14/138 G
D640,219 S * 6/2011 Sutherland et al. D14/138 G
2008/0274776 A1* 11/2008 Cho et al. 455/575.4
2009/0069059 A1* 3/2009 Min et al. 455/575.4
2009/0111508 A1* 4/2009 Yeh et al. 455/552.1
2009/0170574 A1* 7/2009 Harmon et al. 455/575.4
2011/0117977 A1* 5/2011 Yamashita et al. 455/575.4

OTHER PUBLICATIONS

LG Optimus Sol E730, announced Aug. 2011, [online], [retrieved on Aug. 29, 2011]. Retrieved from Internet ,<URL: <http://www.gsmarena.com>>.*

Philips V816, announced Jan. 2011, [online], [retrieved on Jan. 19, 2011]. Retrieved from Internet ,<URL: <http://www.gsmarena.com>>.*

* cited by examiner

FIG. 1

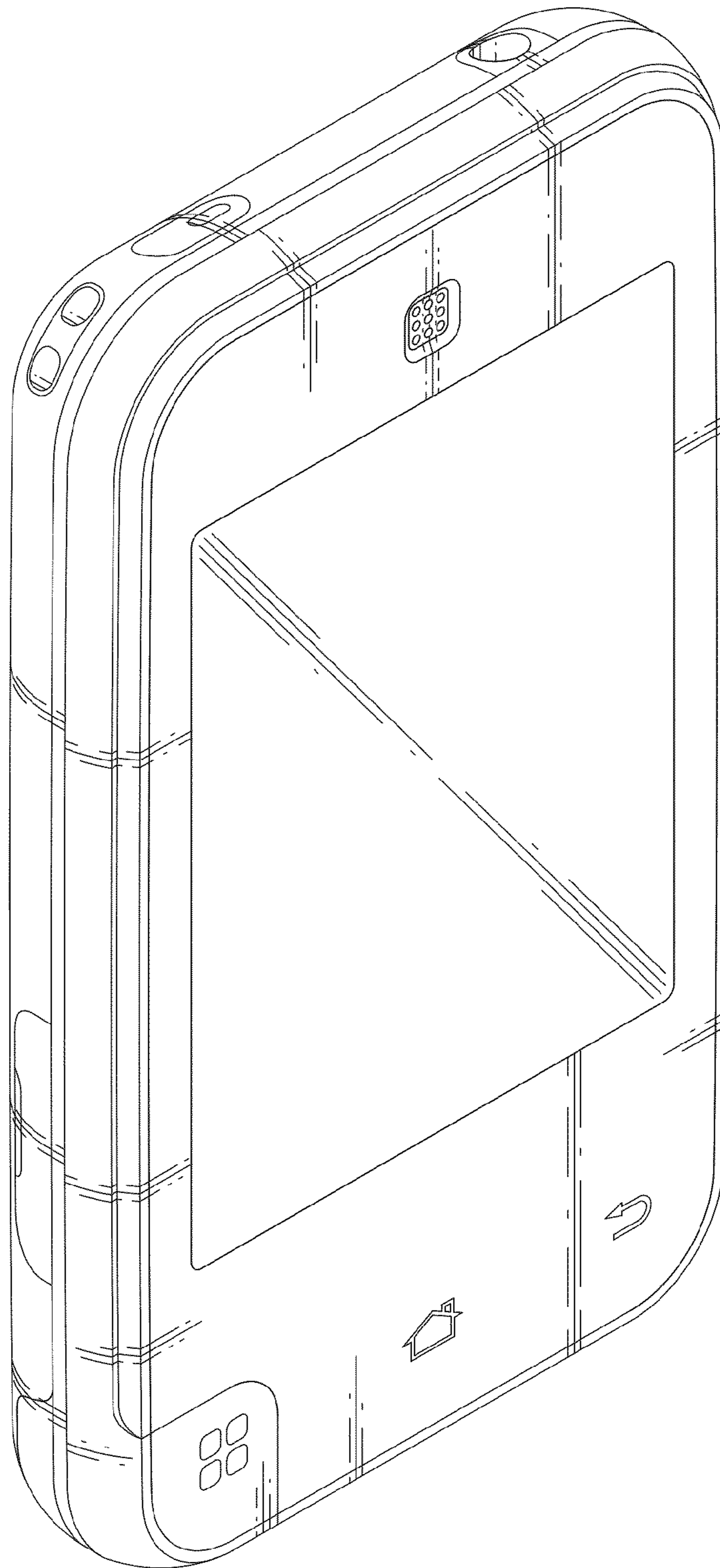


FIG. 2

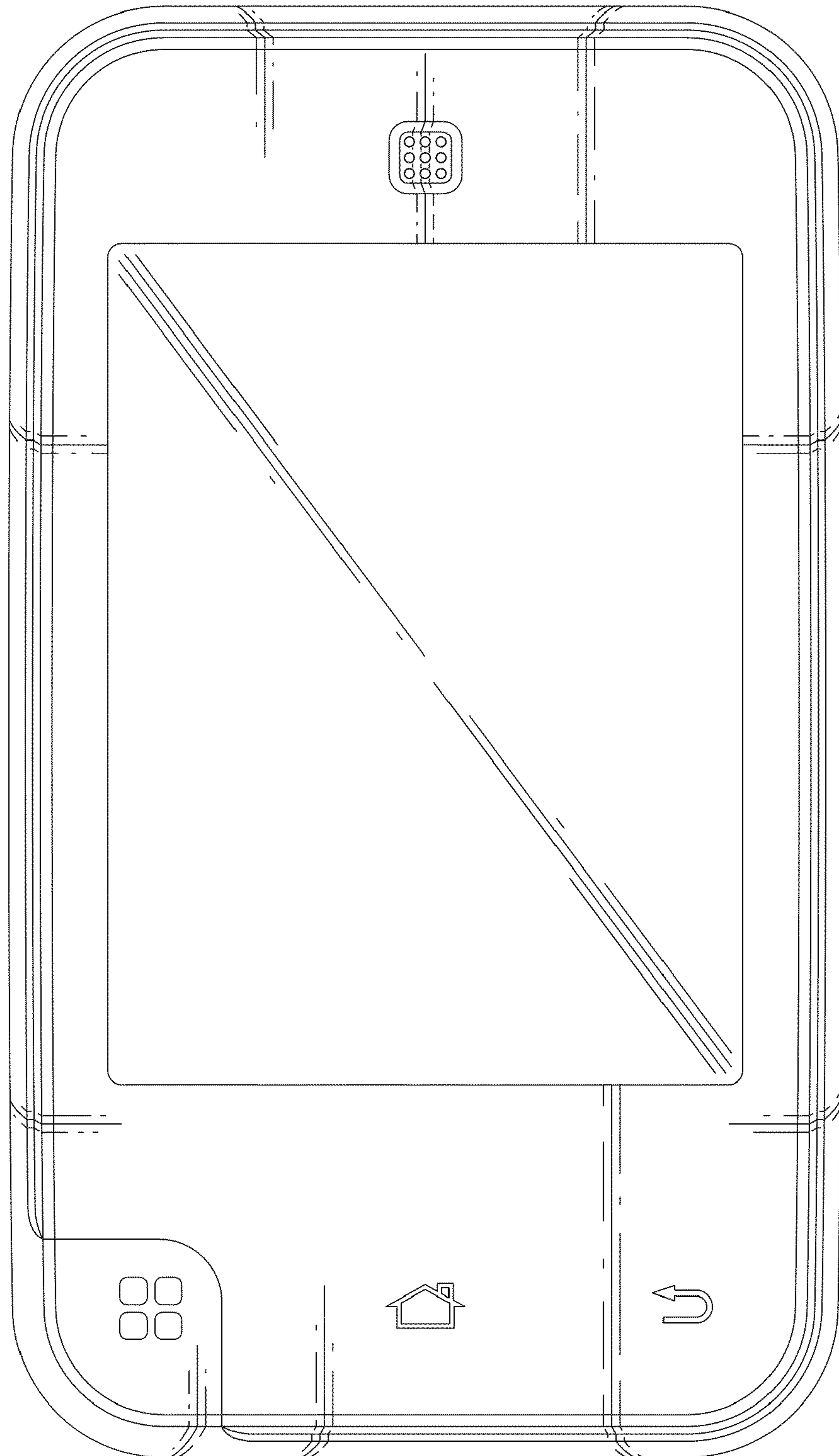


FIG. 3

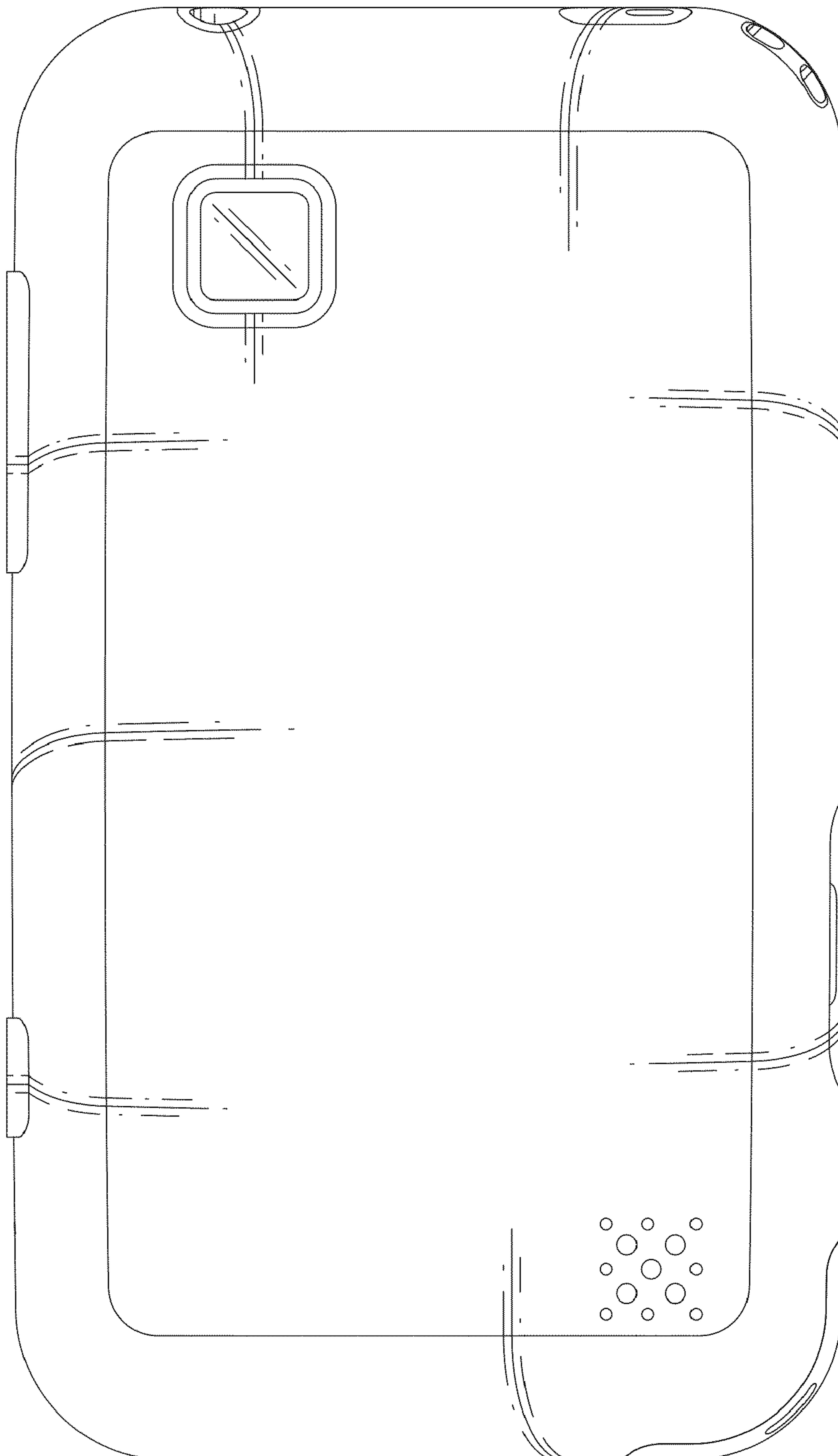


FIG. 4

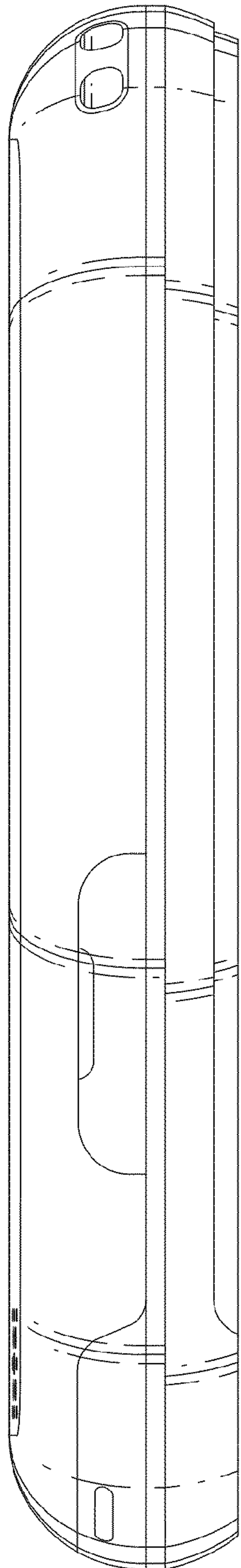


FIG. 5

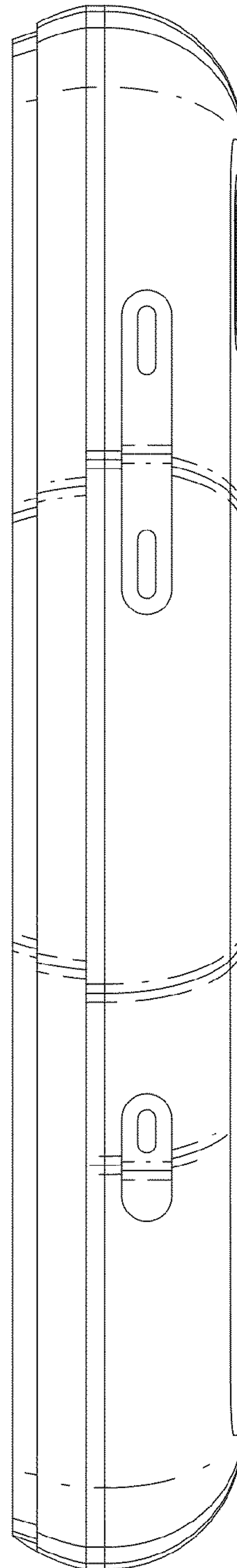


FIG. 6

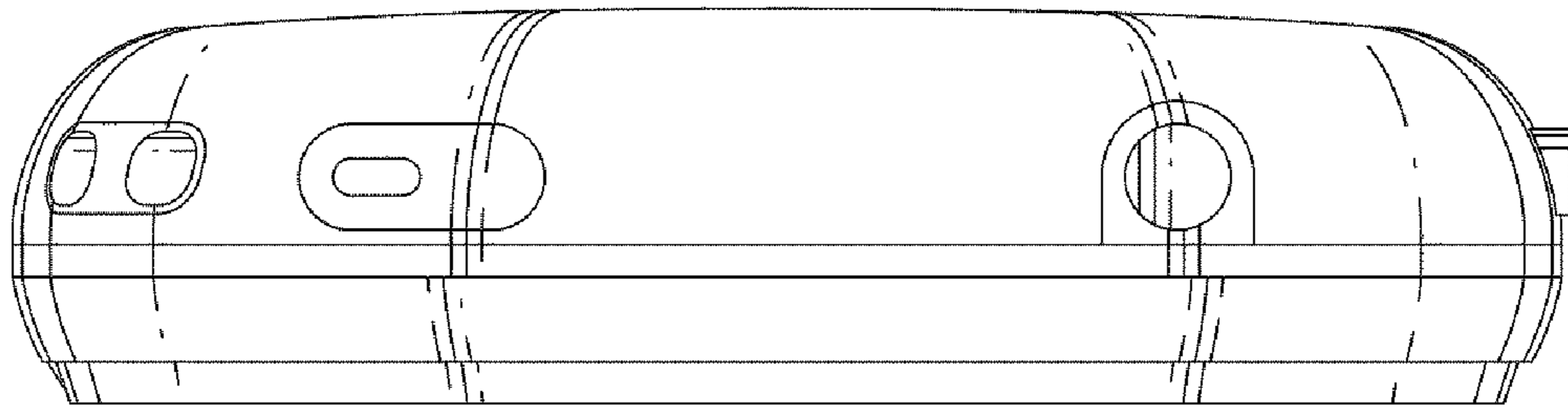


FIG. 7

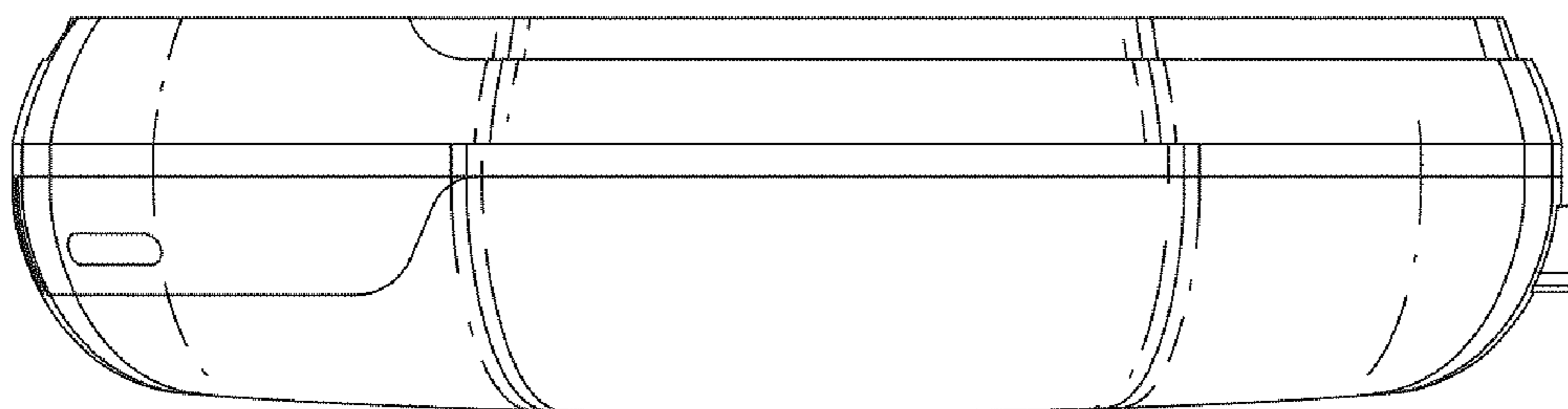


FIG. 8

