



US00D654889S

(12) **United States Design Patent**
Kim et al.

(10) **Patent No.:** **US D654,889 S**

(45) **Date of Patent:** **** Feb. 28, 2012**

(54) **MOBILE PHONE**

(75) Inventors: **Chang-Hwan Kim**, Kimpo-Si (KR);
Min-Hyouk Lee, Seoul (KR);
Chang-Hwan Hwang, Seongnam-Si (KR)

(73) Assignee: **Samsung Electronics Co., Ltd.** (KR)

(**) Term: **14 Years**

(21) Appl. No.: **29/387,285**

(22) Filed: **Mar. 11, 2011**

(30) **Foreign Application Priority Data**

Dec. 17, 2010 (KR) 30-2010-0054750

(51) **LOC (9) Cl.** **14-03**

(52) **U.S. Cl.** **D14/138 G**

(58) **Field of Classification Search** D14/138 R,
D14/138 AD, 138 AC, 138 C, 138 G, 191,
D14/203.1-203.8, 496, 138 AA, 138 AB,
D14/137, 147, 218, 341-347, 247-248; D10/65,
D10/78, 104; D13/168; D18/7; 455/566,
455/575.1, 575.3, 575.4

See application file for complete search history.

(56) **References Cited**

U.S. PATENT DOCUMENTS

D555,134 S * 11/2007 Sung et al. D14/138 AC
D565,533 S * 4/2008 Kim et al. D14/138 AD
D591,739 S * 5/2009 Matsuoka D14/341
D606,037 S * 12/2009 Christopher et al. . D14/138 AD
D606,505 S * 12/2009 Seflic et al. D14/138 G
D611,025 S * 3/2010 Yu D14/138 G
D618,646 S * 6/2010 Wykes et al. D14/138 G
D622,691 S * 8/2010 Kim et al. D14/138 G

D627,344 S * 11/2010 Chien et al. D14/341
D633,492 S * 3/2011 Matsuoka D14/341
D633,886 S * 3/2011 Chen D14/138 AD
D644,196 S * 8/2011 Lee et al. D14/138 AD
7,999,660 B2 * 8/2011 Cybart et al. 340/407.2
D644,543 S * 9/2011 Henne et al. D10/65
D645,010 S * 9/2011 Lee et al. D14/138 G
2006/0223596 A1 * 10/2006 Hur 455/575.4
2007/0232368 A1 * 10/2007 Feightner et al. 455/575.1
2011/0003616 A1 * 1/2011 Gorsica et al. 455/556.2
2011/0059774 A1 * 3/2011 Clift et al. 455/566
2011/0105186 A1 * 5/2011 Griffin et al. 455/566
2011/0143823 A1 * 6/2011 Holman et al. 455/575.4
2011/0201356 A1 * 8/2011 George 455/456.2

OTHER PUBLICATIONS

HTC Touch HD, announced Sep. 2008, [online], [retrieved on Sep. 19, 2008]. Retrieved from Internet ,<URL: <http://www.gsmarena.com>>.*

(Continued)

Primary Examiner — Bridget L Eland

(74) *Attorney, Agent, or Firm* — NSIP Law

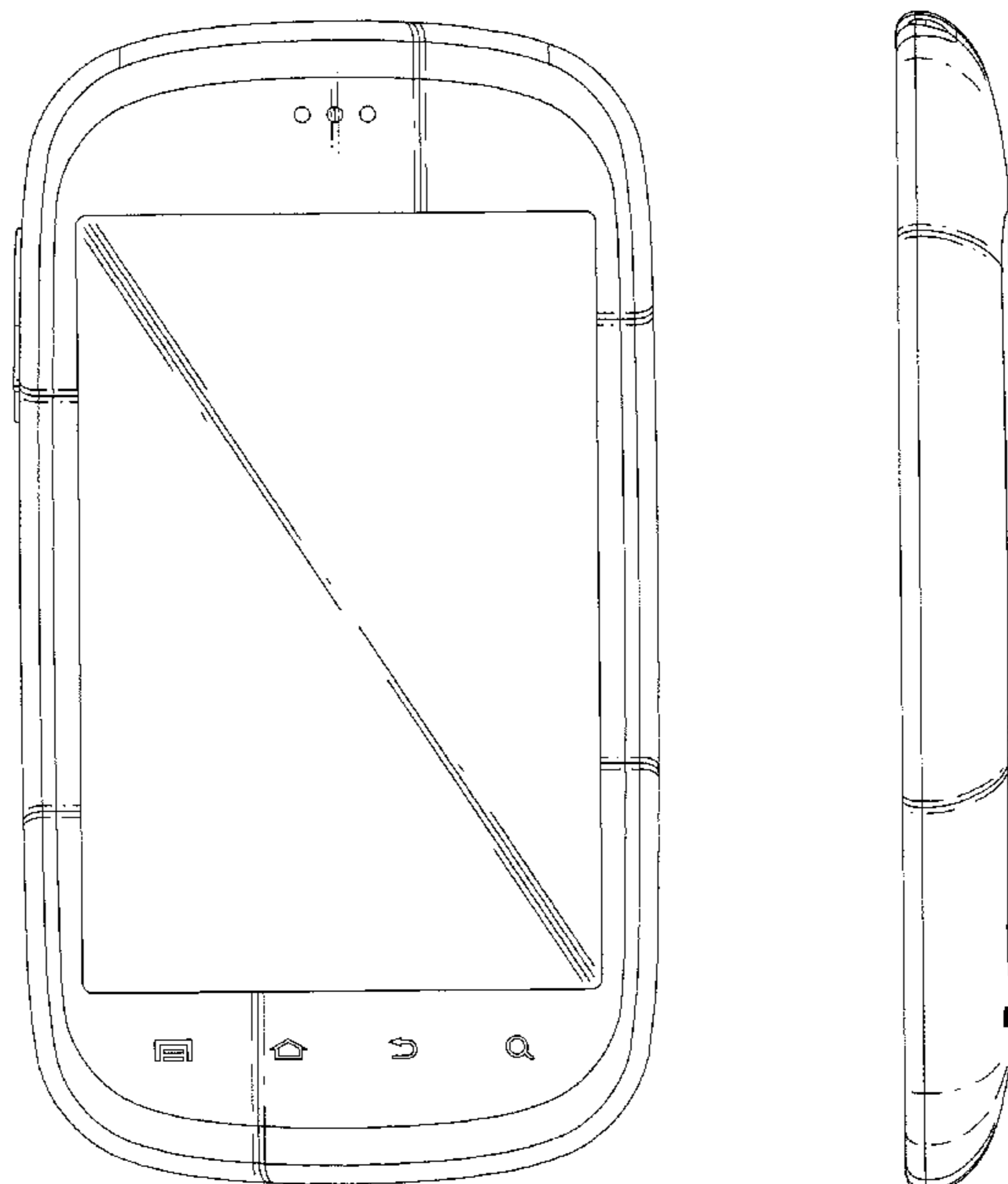
(57) **CLAIM**

The ornamental design for a mobile phone, as shown and described.

DESCRIPTION

FIG. 1 is a perspective view of a mobile phone;
FIG. 2 is a front view of the mobile phone of FIG. 1;
FIG. 3 is a rear view of the mobile phone of FIG. 1;
FIG. 4 is a left-side view of the mobile phone of FIG. 1;
FIG. 5 is a right-side view of the mobile phone of FIG. 1;
FIG. 6 is a top plan view of the mobile phone of FIG. 1; and,
FIG. 7 is a bottom plan view of the mobile phone of FIG. 1.

1 Claim, 5 Drawing Sheets



OTHER PUBLICATIONS

Huawei U8800, announced Feb. 2010, [online], [retrieved on Feb. 17, 2010]. Retrieved from Internet ,<URL: <http://www.gsmarena.com>>.*

Huawei Ascend II, announced Jul. 2011, [online], [retrieved on Aug. 19, 2011]. Retrieved from Internet ,<URL: <http://www.gsmarena.com>>.*

Philips X800, announced May 2008, [online], [retrieved on May 14, 2008]. Retrieved from Internet ,<URL: <http://www.gsmarena.com>>.*

Samsung Epic 4G, announced Jun. 2010, [online], [retrieved on Feb. 1, 2011]. Retrieved from Internet ,<URL: <http://www.gsmarena.com>>.*

Samsung Google Nexus S, announced Dec. 2010, [online], [retrieved on Jan. 6, 2011]. Retrieved from Internet ,<URL: <http://www.gsmarena.com>>.*

Samsung Epic 4G—Sprint (Review), posted Sep. 2, 2010, [online], [retrieved on Sep. 19, 2011]. Retrieved from Internet ,<URL: <http://skattertech/2010/09/samsung-epic-4g-sprint-review/>>.*

* cited by examiner

FIG. 1

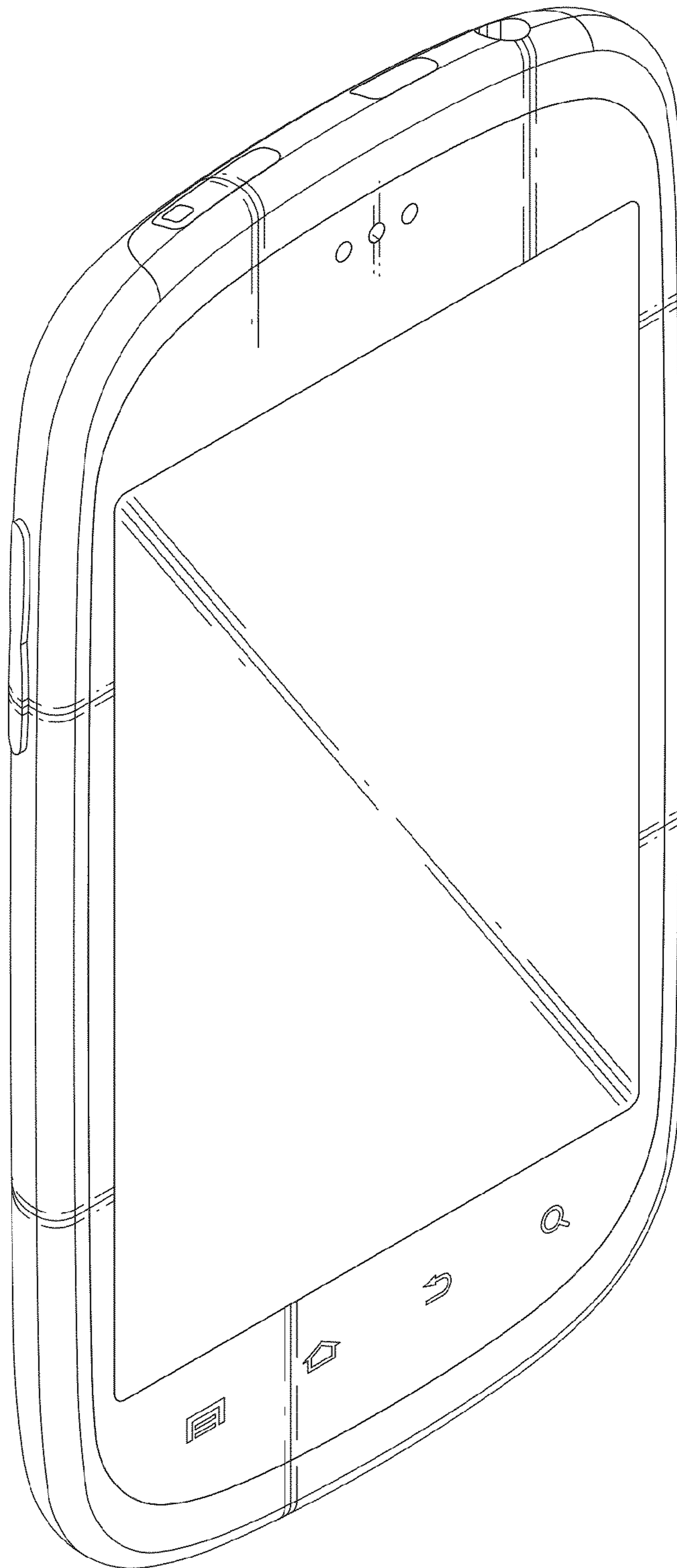


FIG. 2

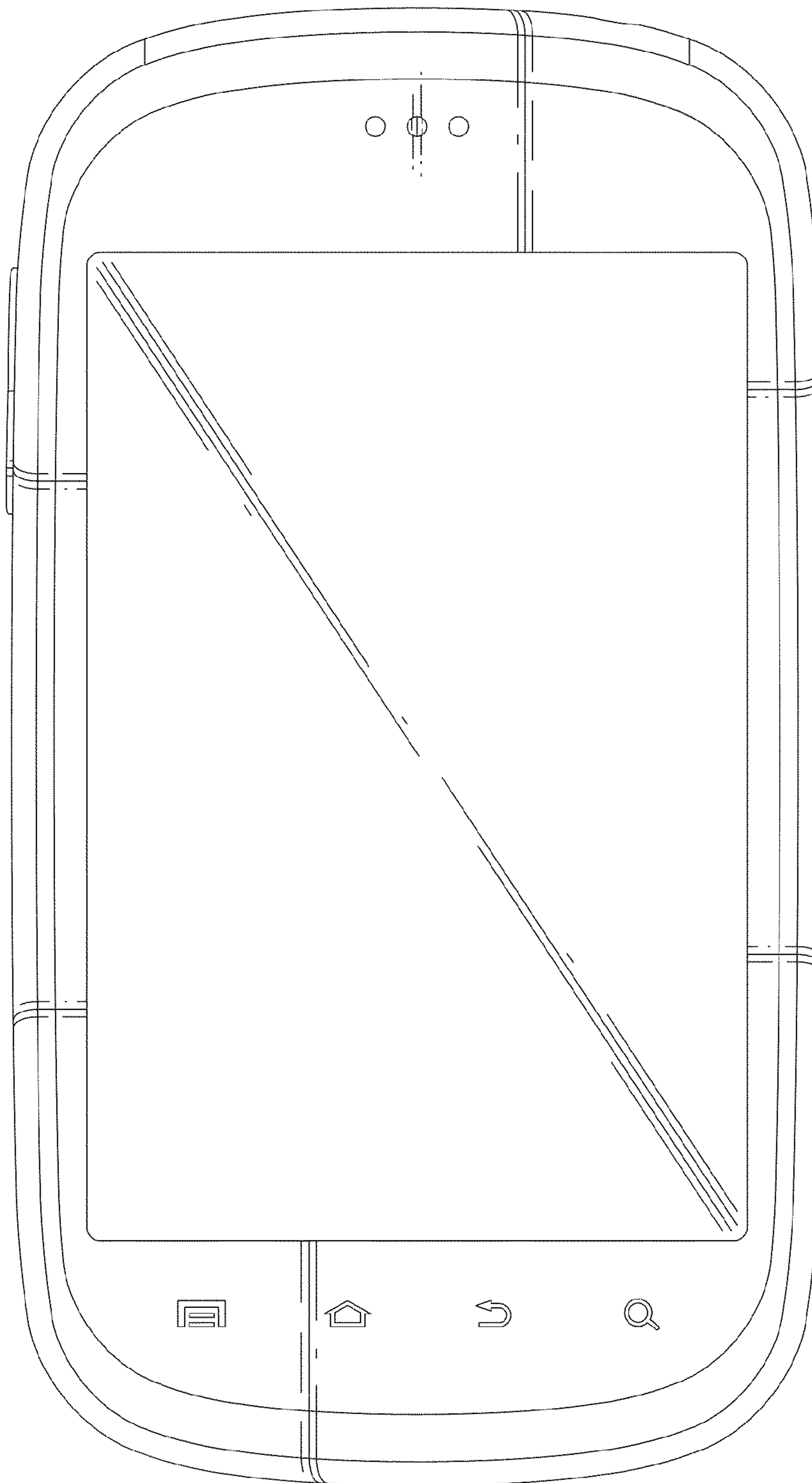


FIG. 3

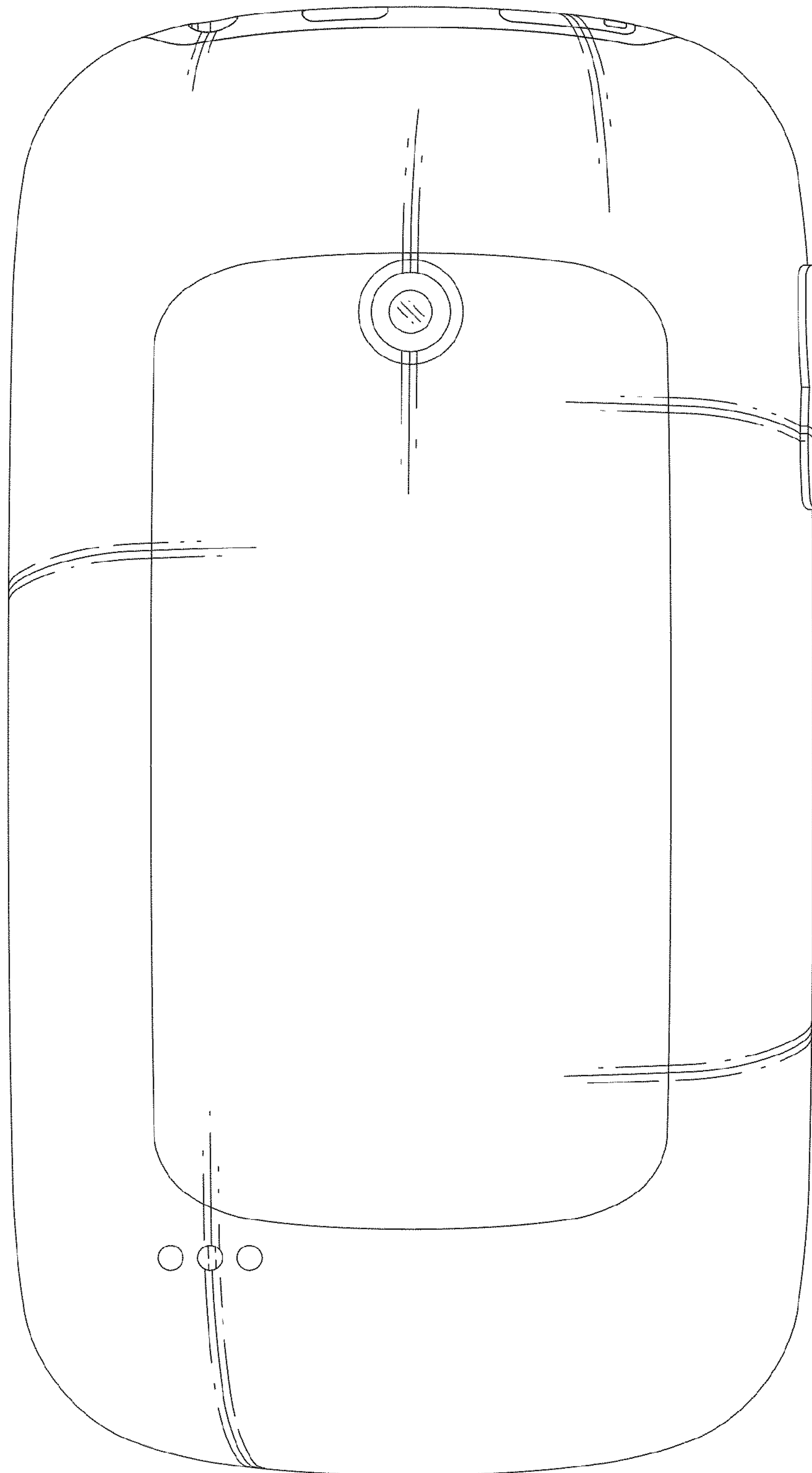


FIG. 4

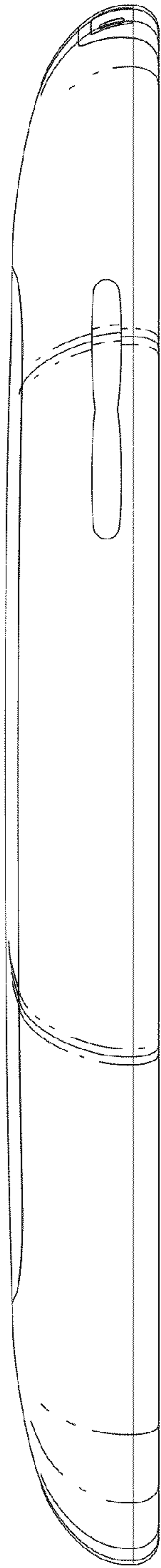


FIG. 5

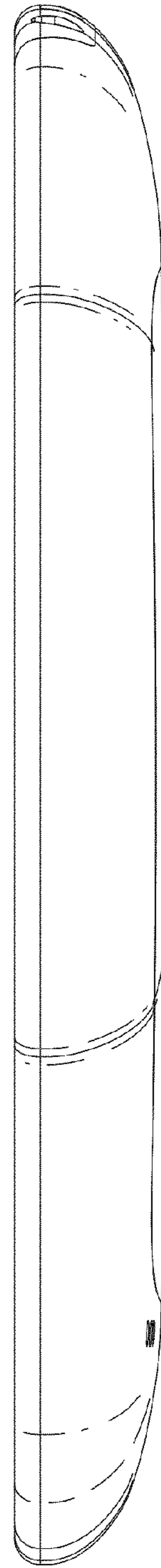


FIG. 6

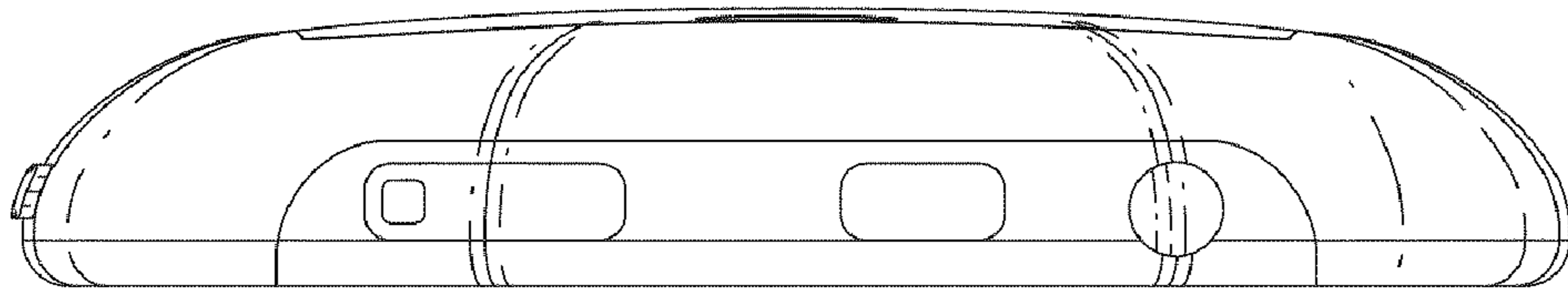


FIG. 7

