



US00D654883S

(12) **United States Design Patent**  
**Honma et al.**

(10) **Patent No.:** **US D654,883 S**

(45) **Date of Patent:** **\*\* Feb. 28, 2012**

(54) **TOP PLATE FOR REACTOR FOR  
MANUFACTURING SEMICONDUCTOR**

D615,937 S \* 5/2010 Sato ..... D13/182  
D616,392 S \* 5/2010 Sato ..... D13/182  
D616,393 S \* 5/2010 Sato ..... D13/182  
D639,757 S \* 6/2011 Root et al. .... D13/182

(75) Inventors: **Manabu Honma**, Oshu (JP); **Katsuyuki Hishiya**, Oshu (JP)

\* cited by examiner

(73) Assignee: **Tokyo Electron Limited**, Minato-Ku (JP)

*Primary Examiner* — Selina Sikder

(74) *Attorney, Agent, or Firm* — Burr & Brown

(\*\*) Term: **14 Years**

(57) **CLAIM**

The ornamental design for top plate for reactor for manufacturing semiconductor, as shown and described.

(21) Appl. No.: **29/389,558**

(22) Filed: **Apr. 13, 2011**

**DESCRIPTION**

(30) **Foreign Application Priority Data**

Oct. 21, 2010 (JP) ..... 2010-025238

(51) **LOC (9) Cl.** ..... **13-03**

(52) **U.S. Cl.** ..... **D13/182**

(58) **Field of Classification Search** ..... D13/182;  
D7/585; 174/250, 253, 255; 257/690, 692,  
257/697, 695, 748, 786, 773; 361/777; 29/829  
See application file for complete search history.

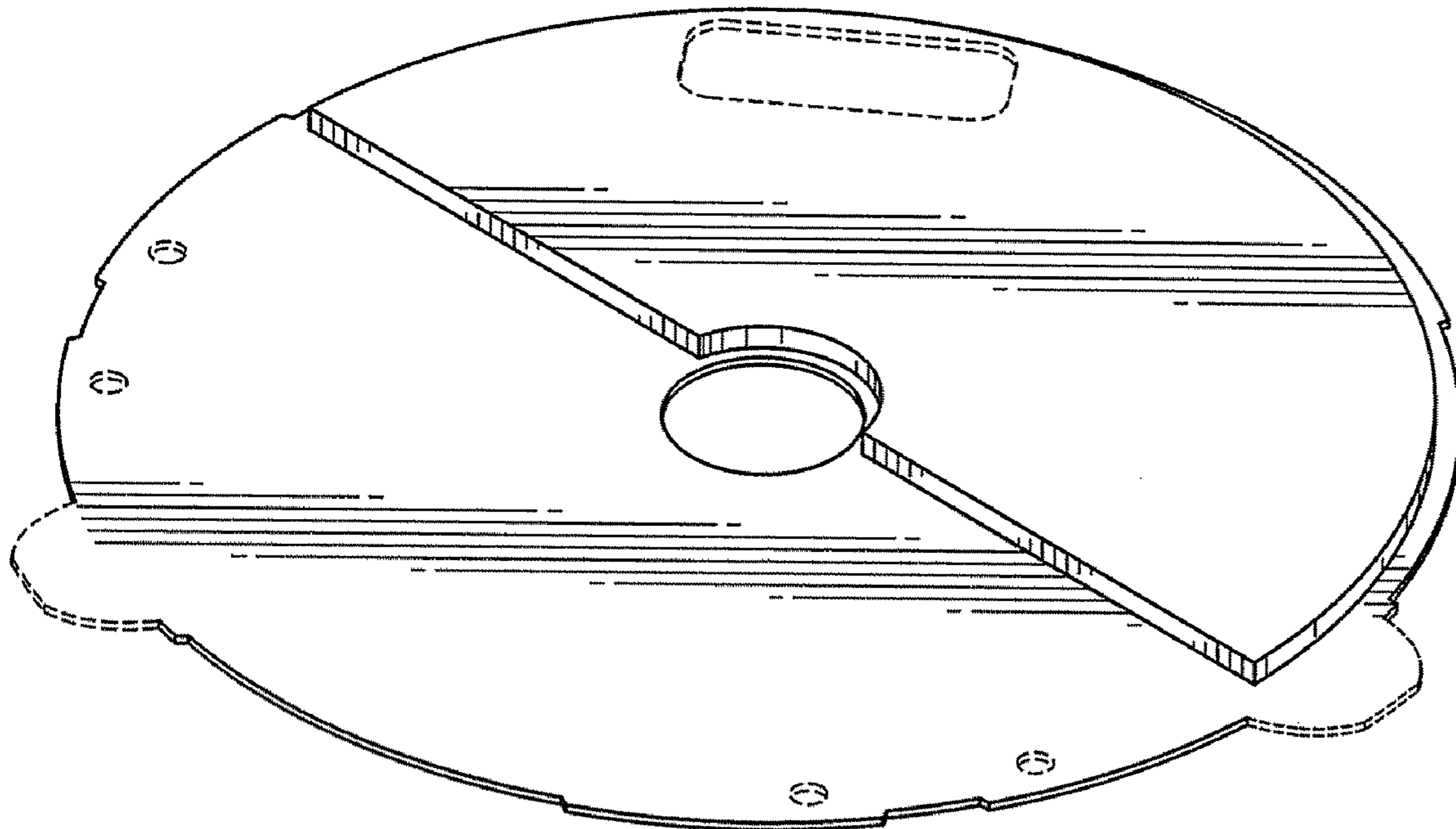
FIG. 1 is front perspective view of a top plate for reactor for manufacturing semiconductor illustrating our new design; FIG. 2 is a front view thereof; FIG. 3 is a rear view thereof; FIG. 4 is a right side view thereof; FIG. 5 is a left side view thereof; FIG. 6 is a top plan view thereof; FIG. 7 is a bottom view thereof; FIG. 8 is a reference front view indicating the plane upon which a sectional view is taken; and, FIG. 9 is a sectional view taken along line 9-9-9 of FIG. 8. The broken lines are shown for illustrative purposes only and form no part of the claimed design.

(56) **References Cited**

**U.S. PATENT DOCUMENTS**

7,235,139 B2 \* 6/2007 Boguslavskiy et al. .... 118/728  
D614,593 S \* 4/2010 Lee et al. .... D13/182

**1 Claim, 5 Drawing Sheets**



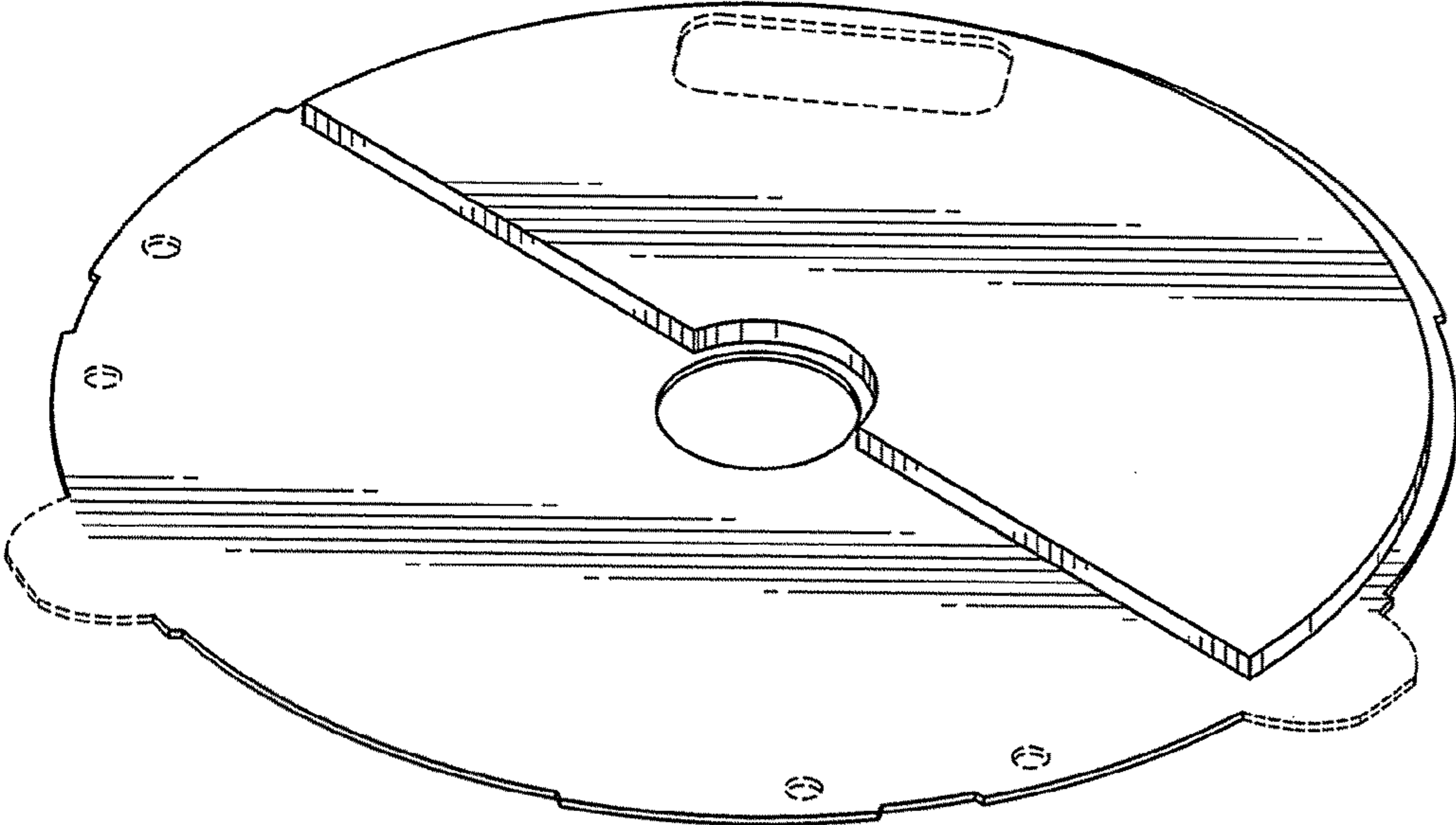


FIG. 1

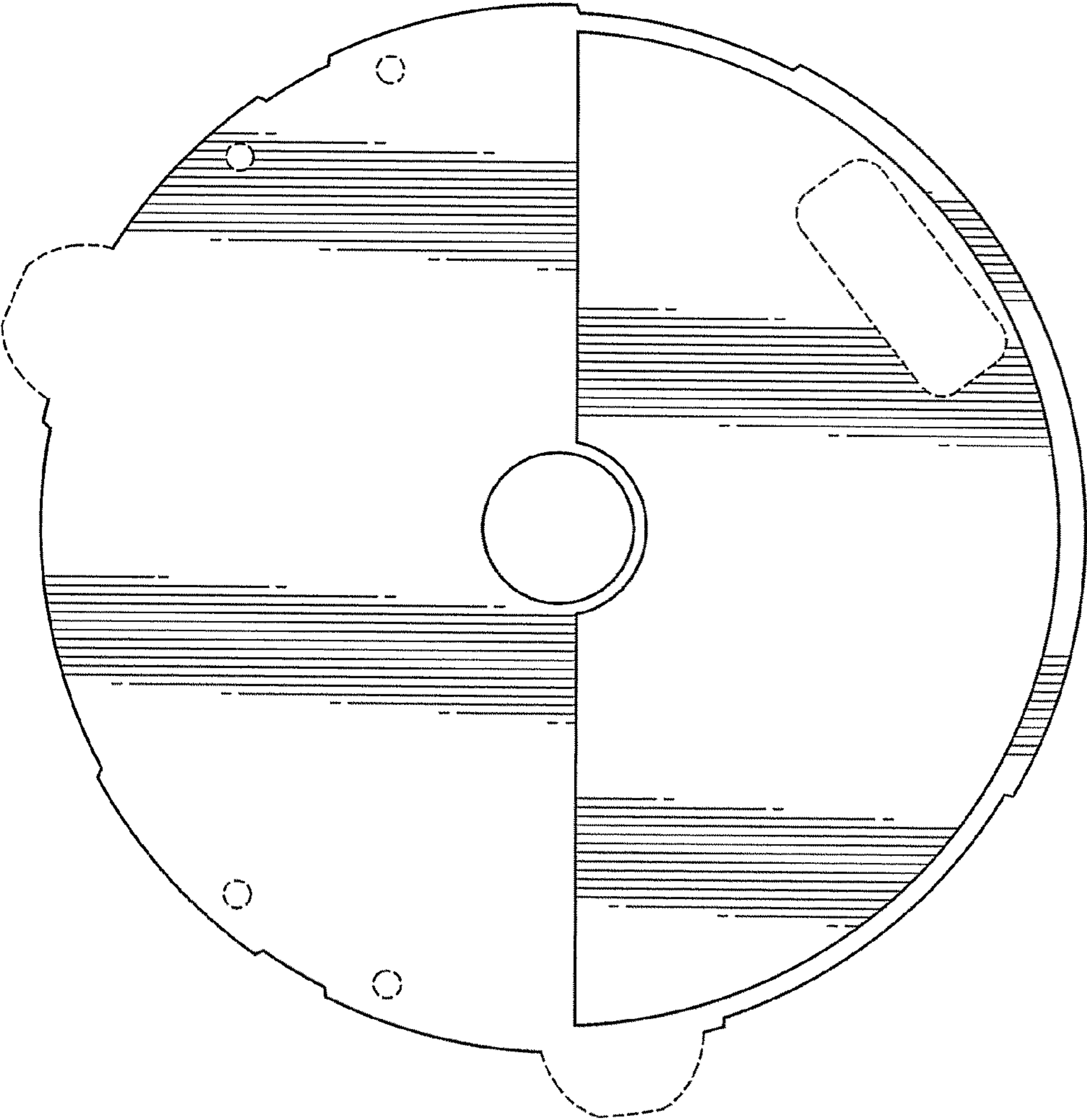


FIG. 2

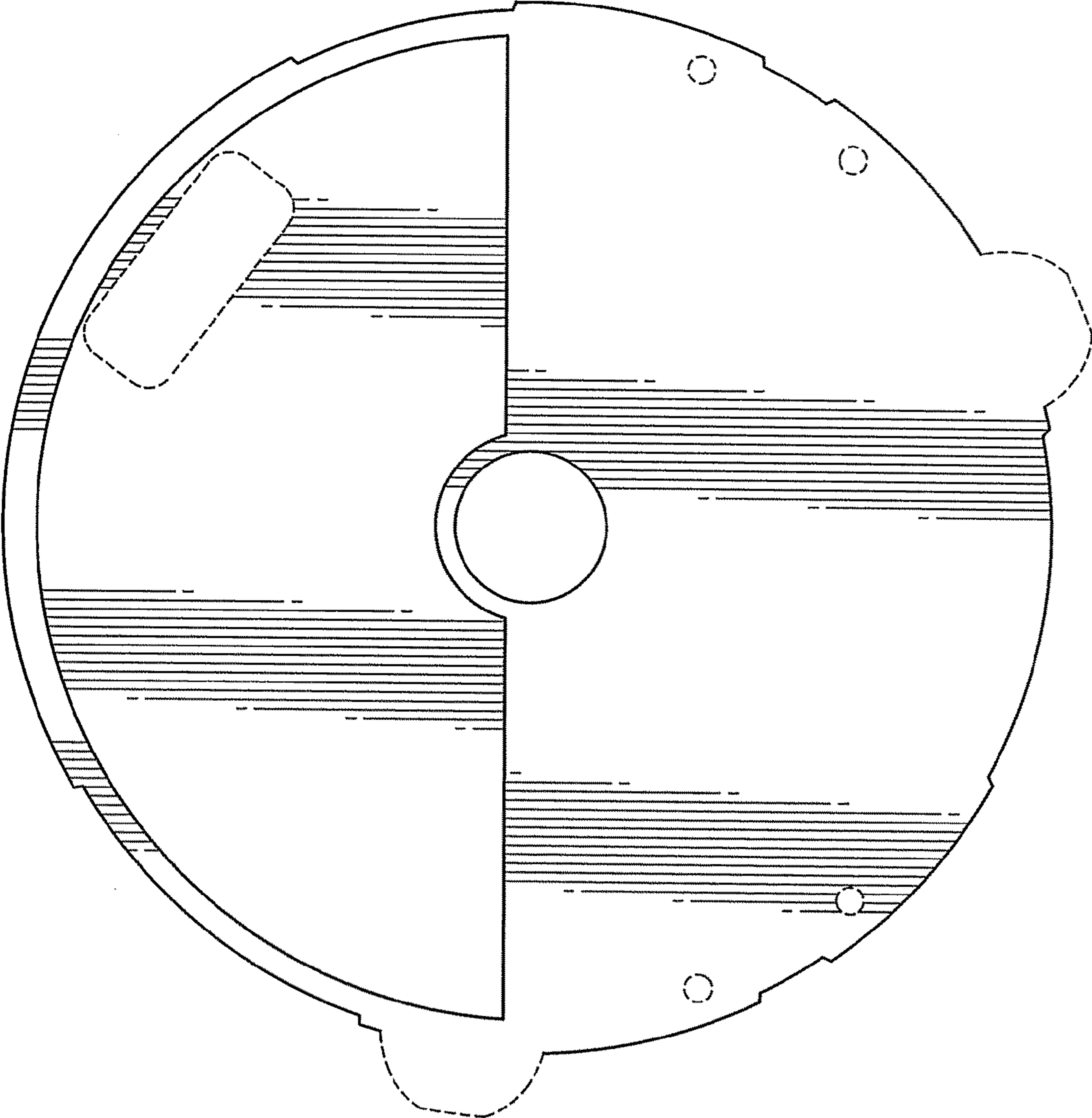


FIG. 3



FIG. 4



FIG. 5

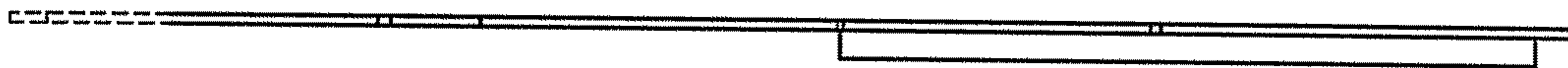


FIG. 6

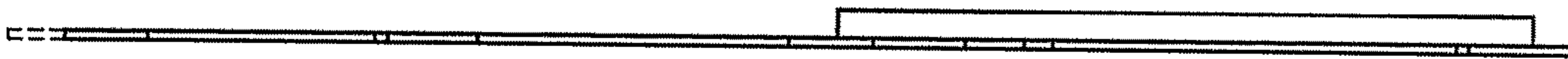


FIG. 7



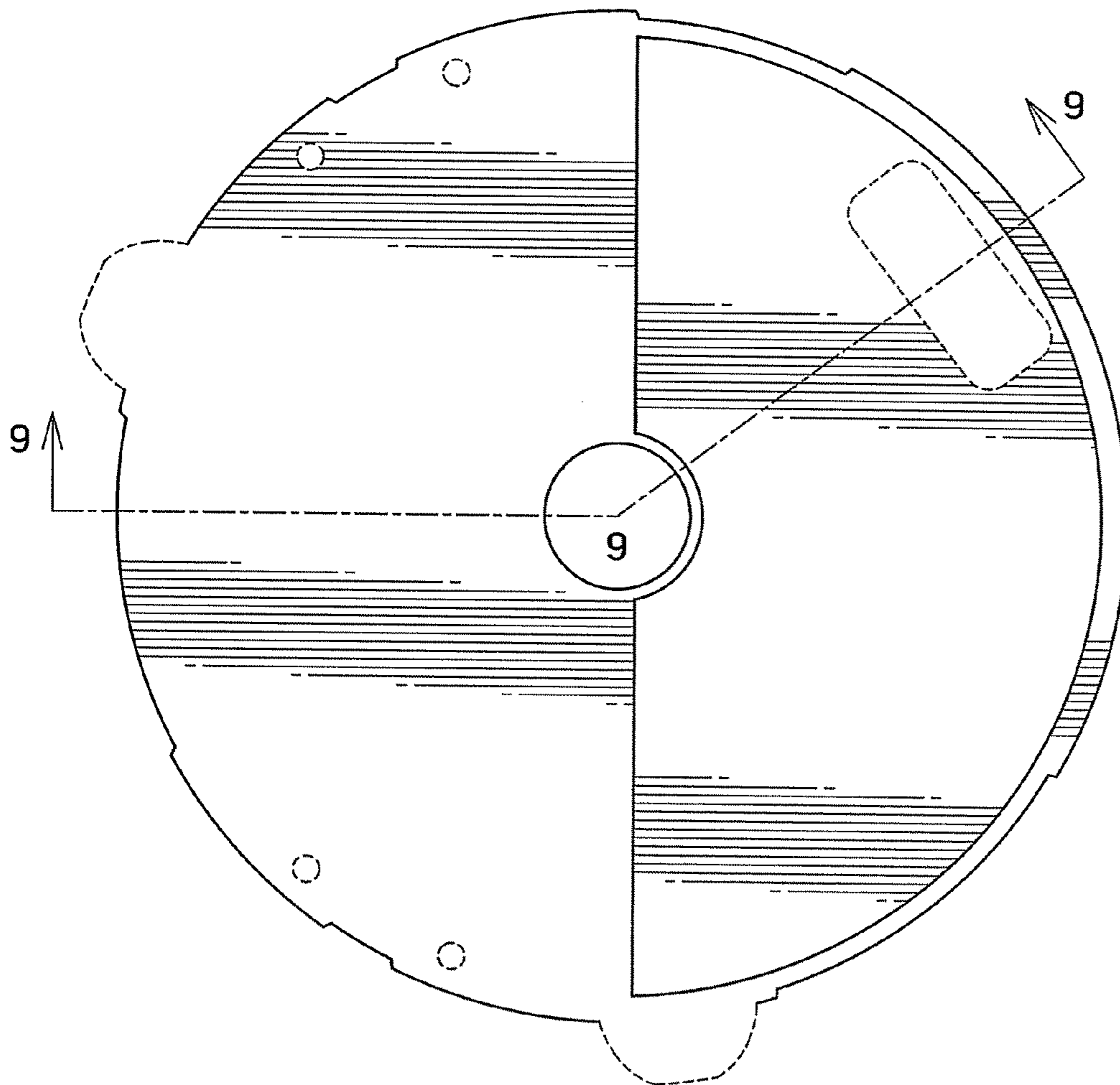


FIG. 8

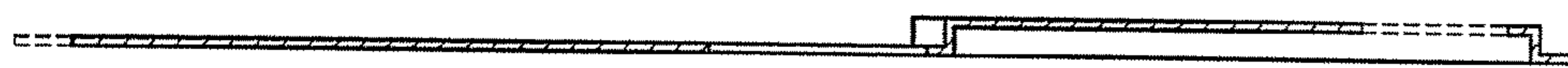


FIG. 9