



US00D654882S

(12) **United States Design Patent**
Honma et al.

(10) **Patent No.:** **US D654,882 S**
(45) **Date of Patent:** **** Feb. 28, 2012**

(54) **GAS-SEPARATING PLATE FOR REACTOR FOR MANUFACTURING SEMICONDUCTOR**

(75) Inventors: **Manabu Honma**, Oshu (JP); **Katsuyuki Hishiya**, Oshu (JP)

(73) Assignee: **Tokyo Electron Limited**, Minato-Ku (JP)

(**) Term: **14 Years**

(21) Appl. No.: **29/389,555**

(22) Filed: **Apr. 13, 2011**

(30) **Foreign Application Priority Data**

Oct. 21, 2010 (JP) 2010-025236

(51) **LOC (9) Cl.** **13-03**

(52) **U.S. Cl.** **D13/182**

(58) **Field of Classification Search** D13/182;
D23/413, 414; 118/724, 725; 432/241, 253,
432/260

See application file for complete search history.

(56) **References Cited**

U.S. PATENT DOCUMENTS

3,618,921 A * 11/1971 Corbett, Jr. 432/260
5,709,543 A * 1/1998 Shimazu 432/241

6,379,466 B1 * 4/2002 Sahin et al. 118/724
D600,220 S * 9/2009 Sato D13/182
7,625,205 B2 * 12/2009 Sasajima et al. 432/253
D615,937 S * 5/2010 Sato D13/182
D616,392 S * 5/2010 Sato D13/182
7,798,811 B2 * 9/2010 Nitadori et al. 432/241
2005/0056218 A1 * 3/2005 Sun et al. 118/715
2005/0252447 A1 * 11/2005 Zhao et al. 118/715
2007/0131168 A1 * 6/2007 Gomi et al. 118/715
2009/0159002 A1 * 6/2009 Bera et al. 118/715

* cited by examiner

Primary Examiner — Selina Sikder

(74) *Attorney, Agent, or Firm* — Burr & Brown

(57) **CLAIM**

The ornamental design for gas-separating plate for reactor for manufacturing semiconductor, as shown and described.

DESCRIPTION

FIG. 1 is front perspective view of a gas-separating plate for reactor for manufacturing semiconductor illustrating our new design;

FIG. 2 is a front view thereof;

FIG. 3 is a rear view thereof;

FIG. 4 is a right side view thereof;

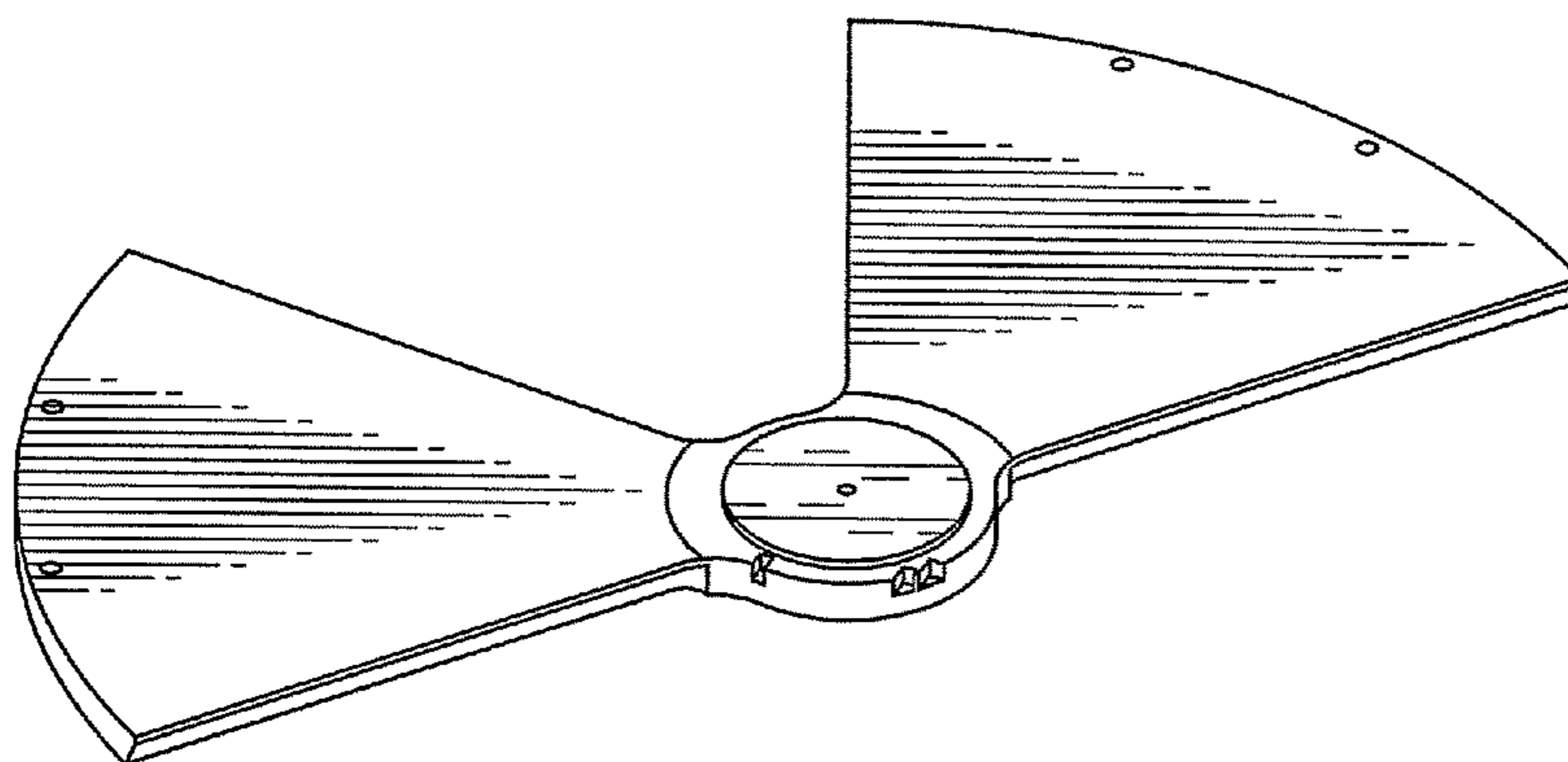
FIG. 5 is a left side view thereof;

FIG. 6 is a top view thereof;

FIG. 7 is a bottom view thereof; and,

FIG. 8 is a sectional view taken along line 8-8 of FIG. 2.

1 Claim, 4 Drawing Sheets



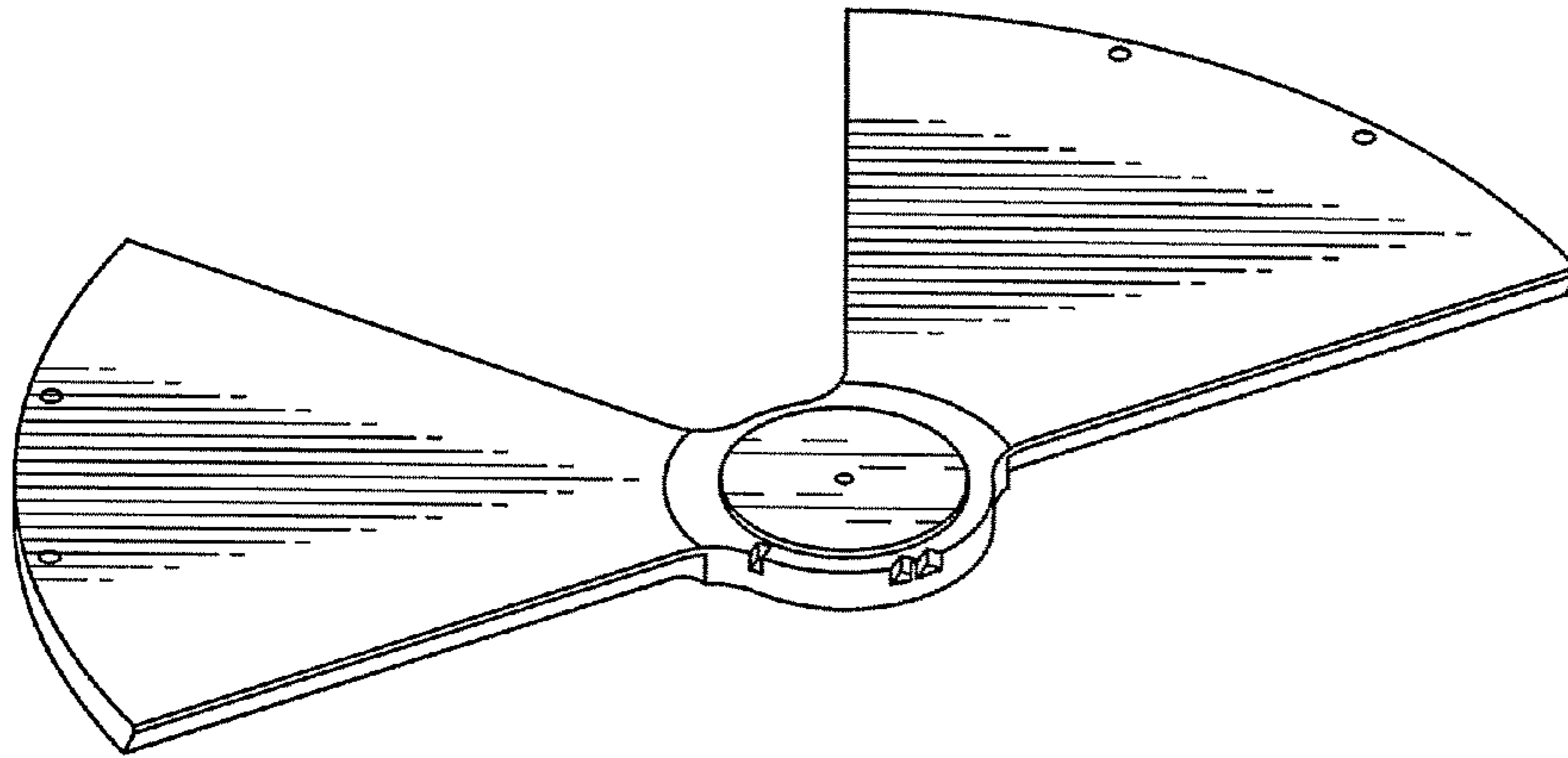


FIG. 1

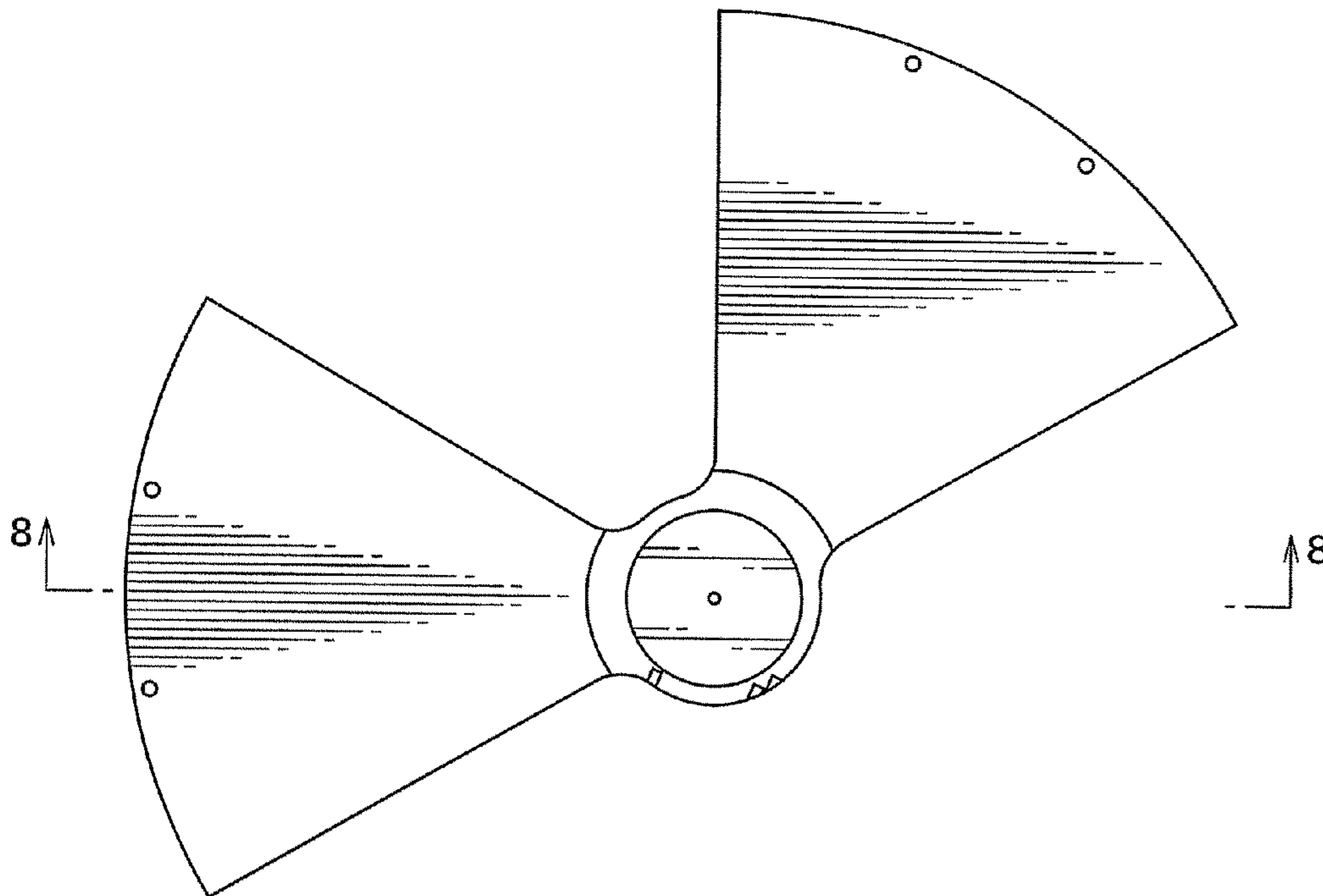


FIG. 2

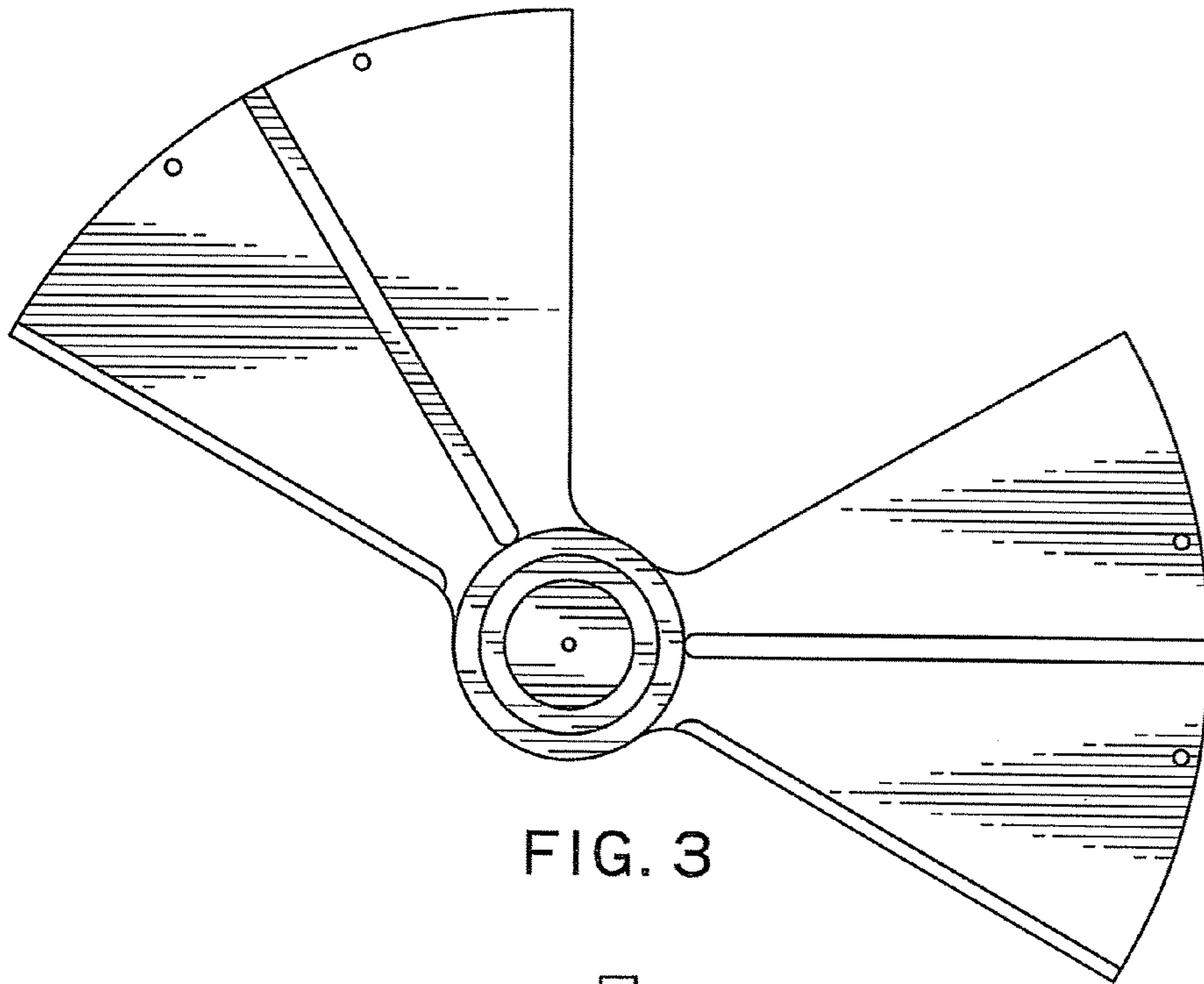


FIG. 3



FIG. 4



FIG. 5



FIG. 6



FIG. 7

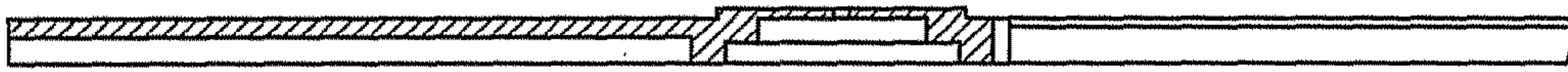


FIG. 8