



US00D654880S

(12) **United States Design Patent**
Lam

(10) **Patent No.:** **US D654,880 S**

(45) **Date of Patent:** **** Feb. 28, 2012**

(54) **ELEVATOR PUSHBUTTON**

(75) Inventor: **Christine Lam**, Escondido, CA (US)

(73) Assignee: **Inventio AG**, Hergiswil (CH)

(**) Term: **14 Years**

(21) Appl. No.: **29/392,608**

(22) Filed: **May 24, 2011**

(51) **LOC (9) Cl.** **13-03**

(52) **U.S. Cl.** **D13/174**

(58) **Field of Classification Search** D13/171,
D13/174; D10/108; 307/139, 157; 315/209 R,
315/224, 246, 291, 294, 295; 200/5 R, 5 A,
200/302.2, 520, 530, 293, 296, 308, 310,
200/314, 329, 341

See application file for complete search history.

(56) **References Cited**

U.S. PATENT DOCUMENTS

3,185,806	A *	5/1965	Bowman et al.	200/302.2
4,297,556	A *	10/1981	Taylor	200/330
D300,528	S *	4/1989	Drane	D13/171
D305,022	S *	12/1989	Hallgren et al.	D13/171
D317,137	S *	5/1991	Kulikowski et al.	D10/108
5,118,909	A *	6/1992	Husting	200/81 H
5,413,358	A *	5/1995	Austin et al.	277/642
D374,658	S *	10/1996	Bever et al.	D13/177
7,087,847	B2 *	8/2006	Parkinson et al.	200/5 A
7,420,136	B2 *	9/2008	Goetzl et al.	200/341
7,470,869	B2 *	12/2008	Lin	200/341
7,820,924	B2 *	10/2010	Stilley et al.	200/5 R
2005/0126900	A1 *	6/2005	Wang	200/341
2009/0260963	A1 *	10/2009	Eto	200/293
2010/0116629	A1 *	5/2010	Borissov et al.	200/4
2011/0112518	A1 *	5/2011	Stanton	606/1

OTHER PUBLICATIONS

Schindler GT Series brochure; 1994; Schindler Elevator Corporation.

http://www.epcoprod.com/fixtures/designer_hall_equipment.asp; printed Sep. 6, 2011.

http://www.epcoprod.com/fixtures/designer_hall_stations.asp; printed Sep. 6, 2011.

http://www.epcoprod.com/fixtures/designer_incline_stations.asp; printed Sep. 6, 2011.

* cited by examiner

Primary Examiner — Selina Sikder

(74) *Attorney, Agent, or Firm* — Robert L. Epstein; Epstein Drangel LLP

(57) **CLAIM**

The ornamental design for an elevator pushbutton, as shown and described.

DESCRIPTION

FIG. 1 is a top front perspective view of a new design for an elevator pushbutton;

FIG. 2 is a top plan view thereof;

FIG. 3 is a side elevation view thereof;

FIG. 4 is a front elevation view thereof;

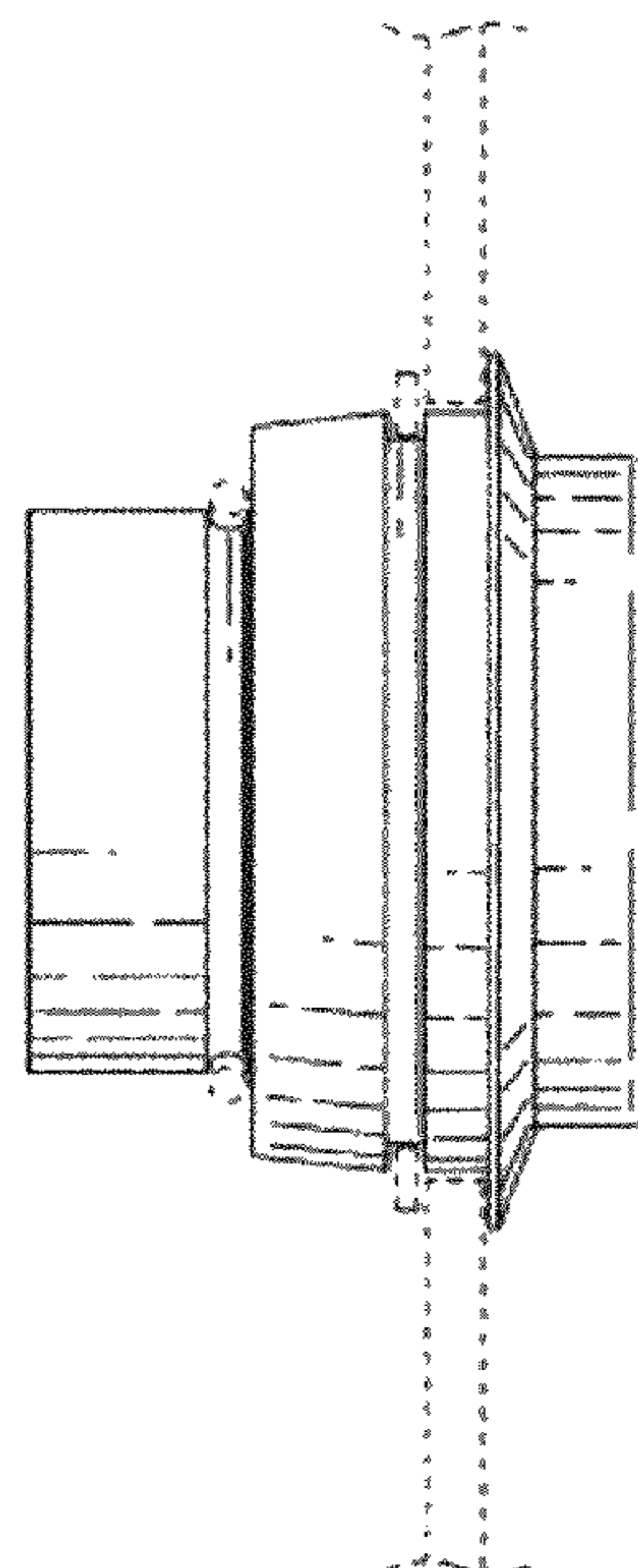
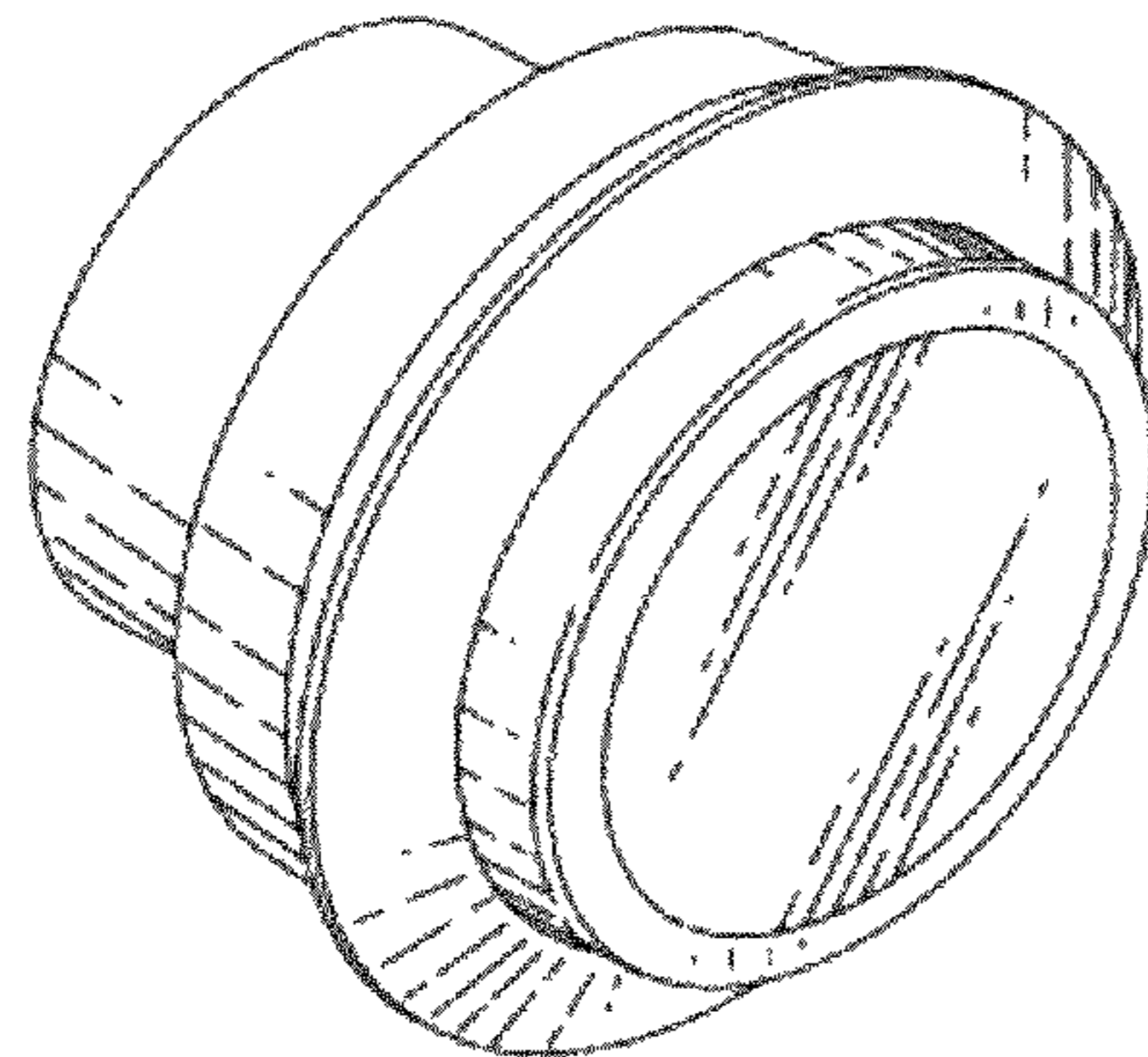
FIG. 5 is a rear elevation view thereof;

FIG. 6 is a cross-sectional view thereof along the line shown FIG. 4; and,

FIG. 7 is a top front perspective view of the new design for an elevator pushbutton arranged on a panel with other pushbuttons of the same design.

The broken lines showing particular elements of the elevator pushbutton are included for illustrative purposes only and form no part of the claimed design.

1 Claim, 2 Drawing Sheets



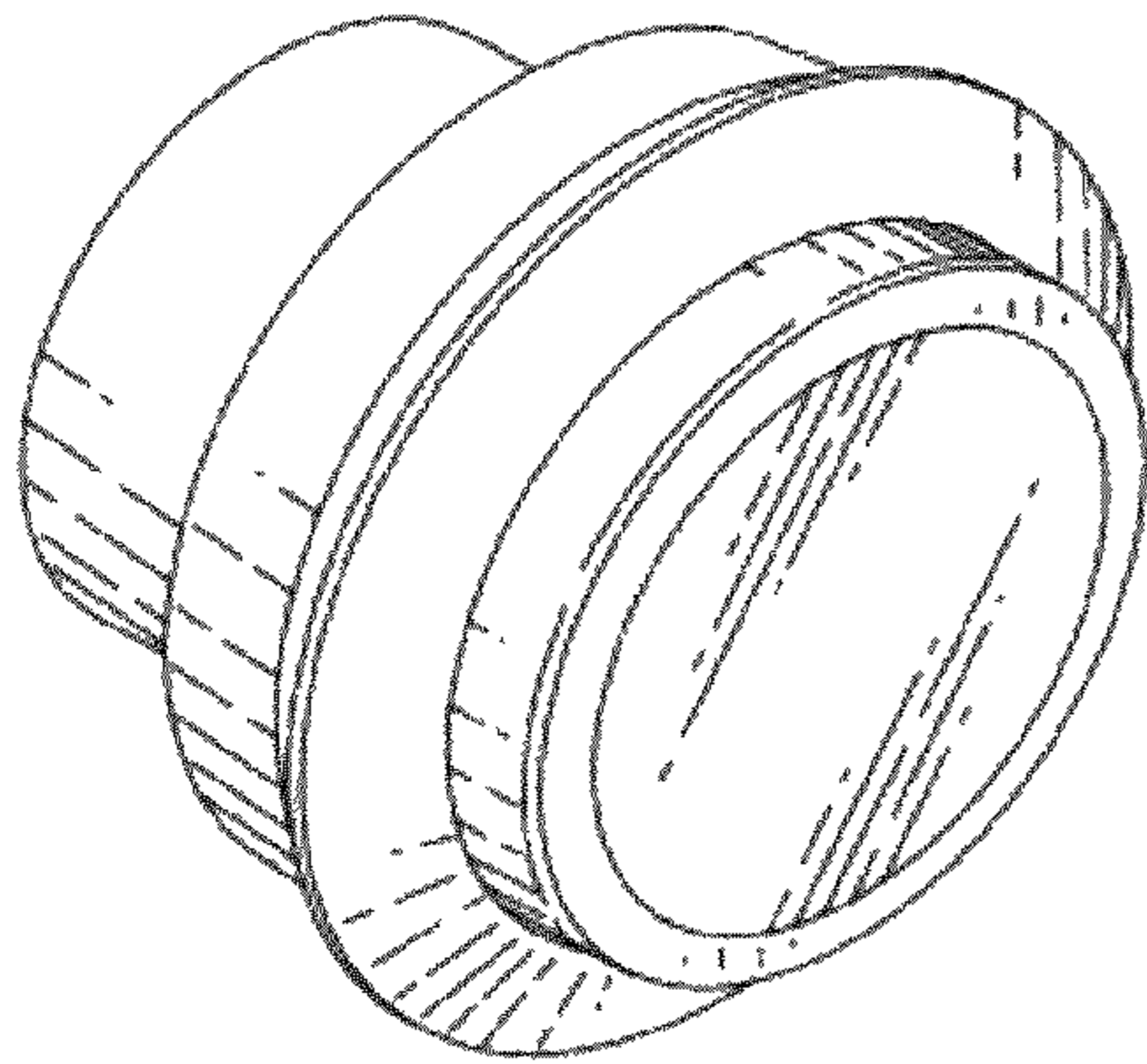


Fig. 1

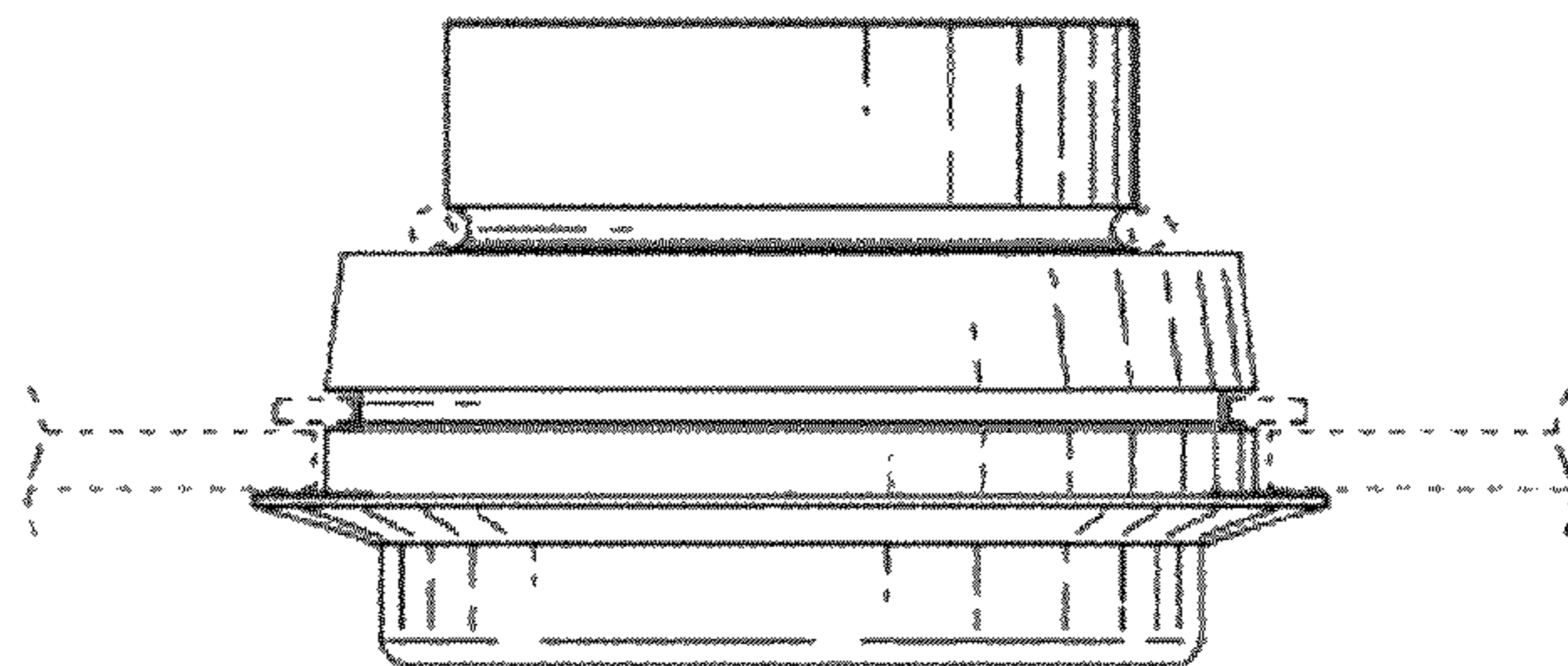


Fig. 2

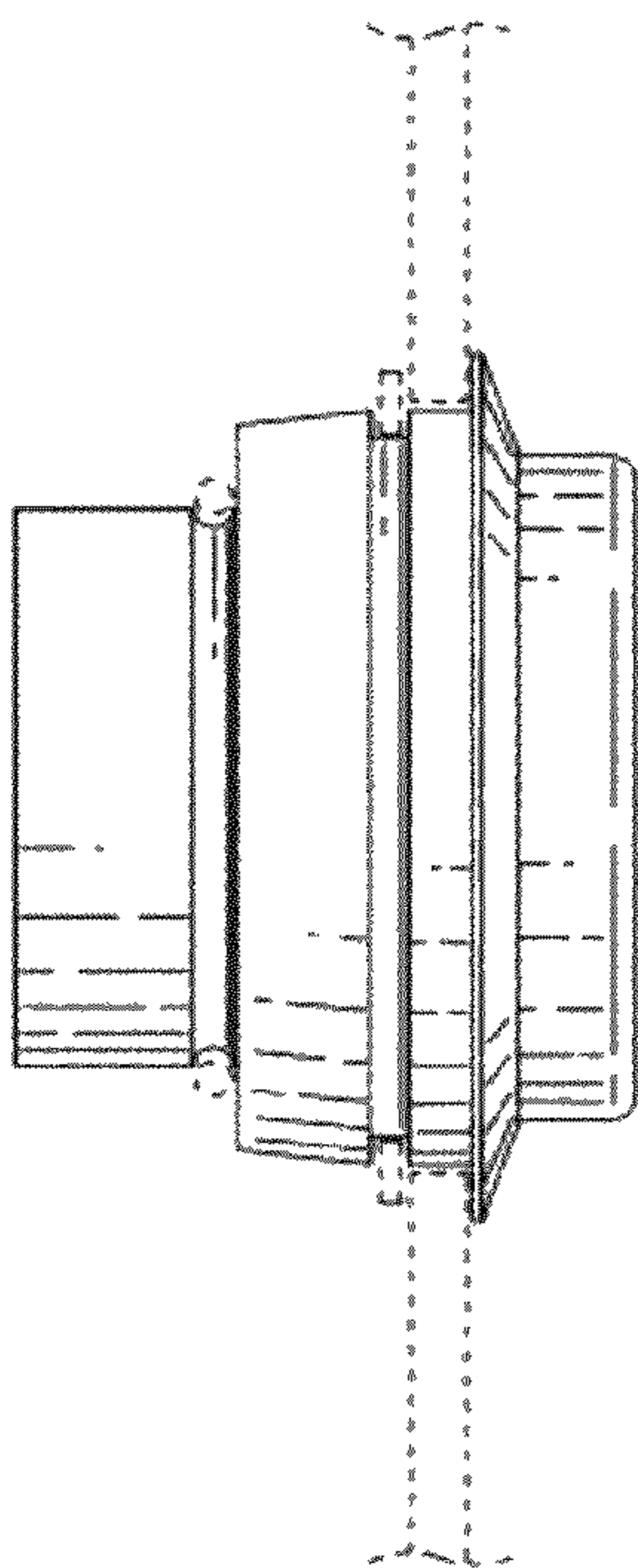


Fig. 3

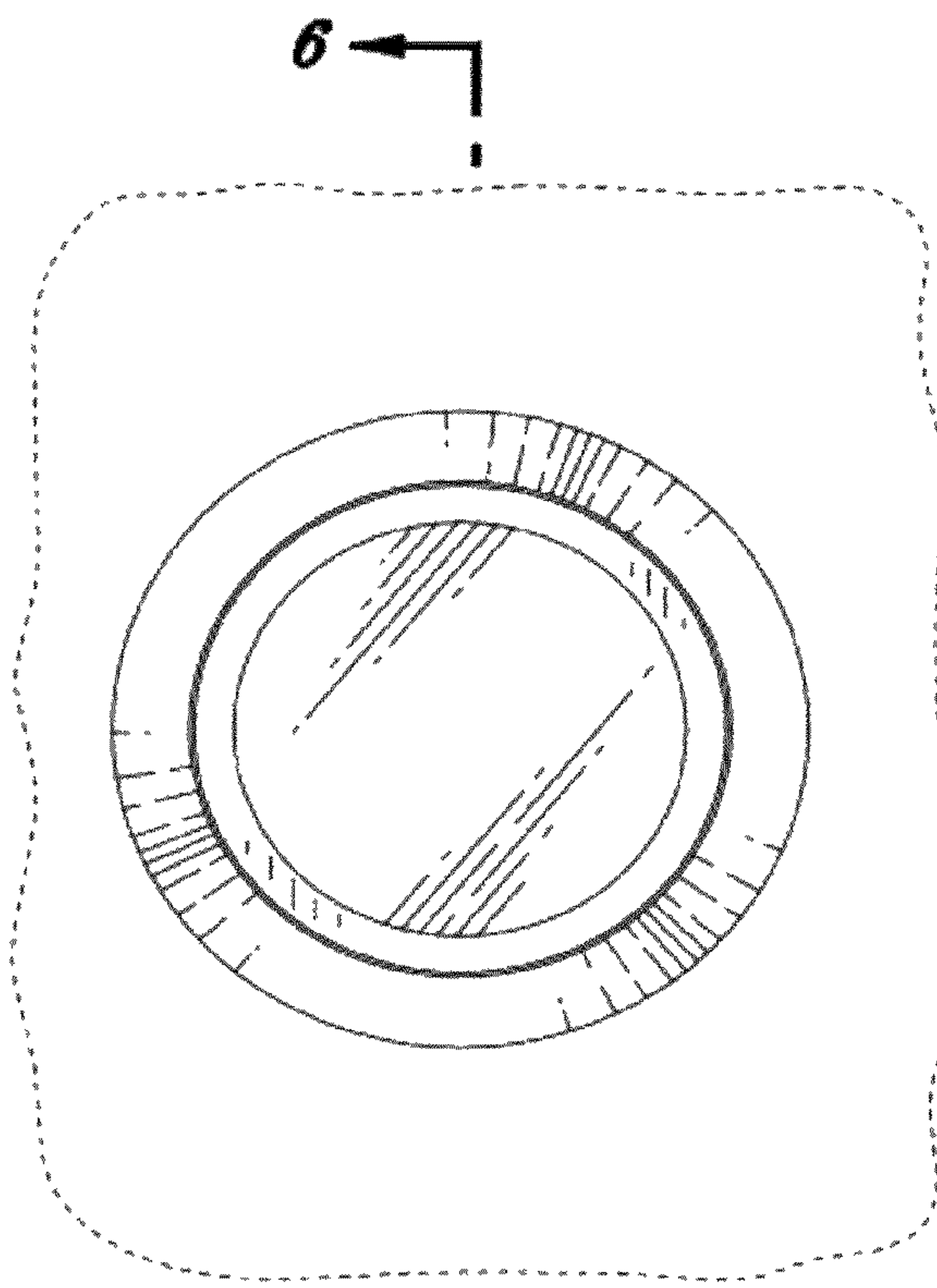


Fig. 4

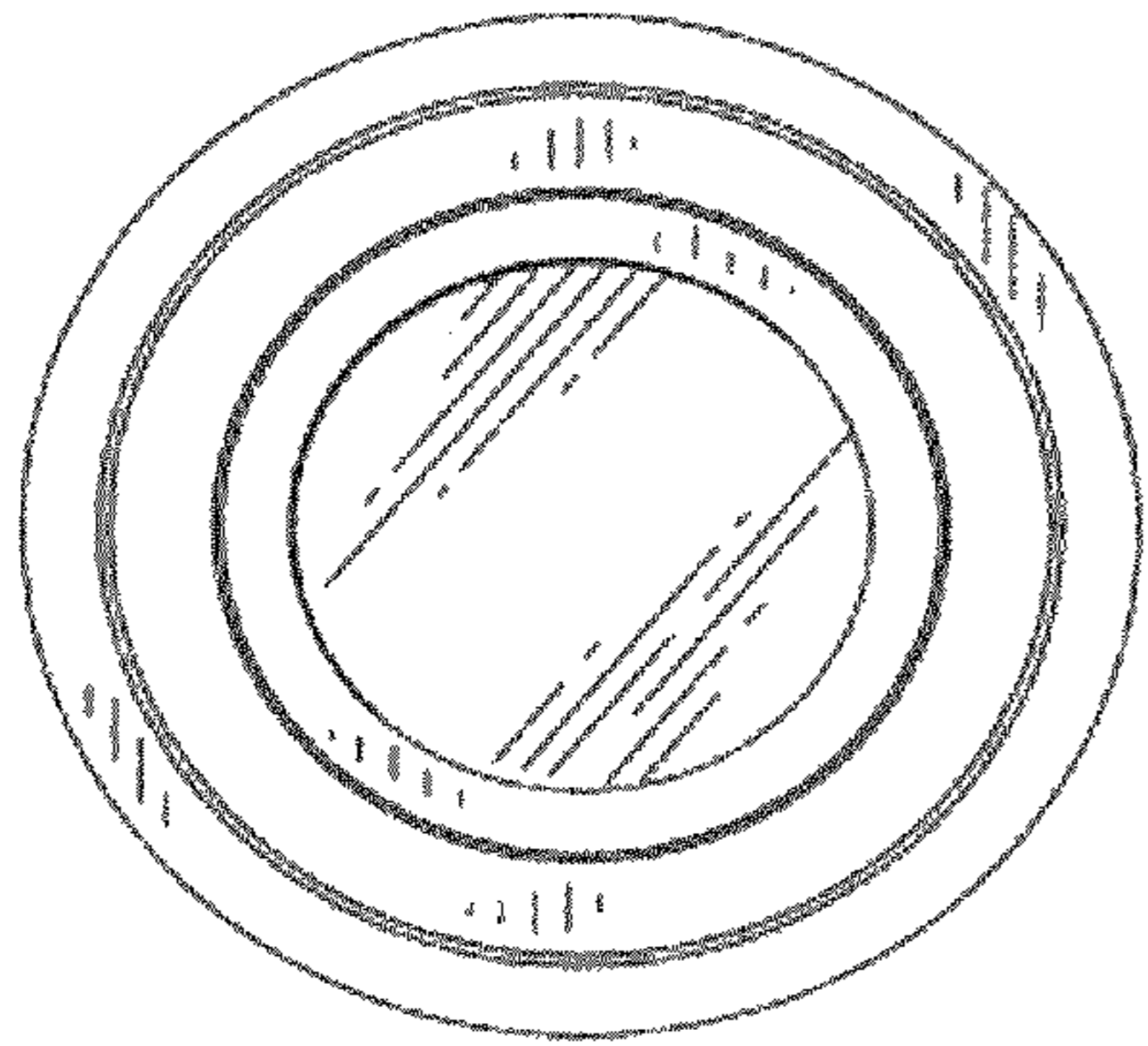


Fig. 5

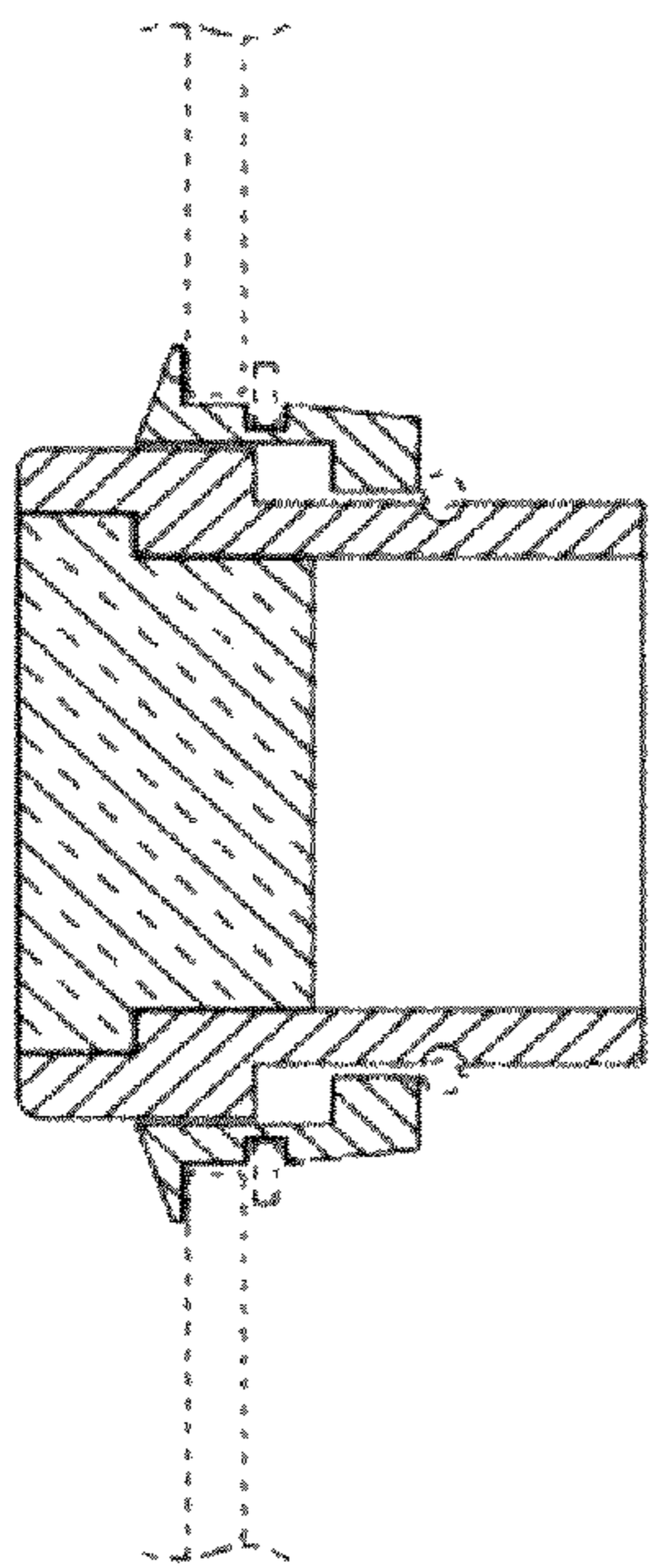


Fig. 6

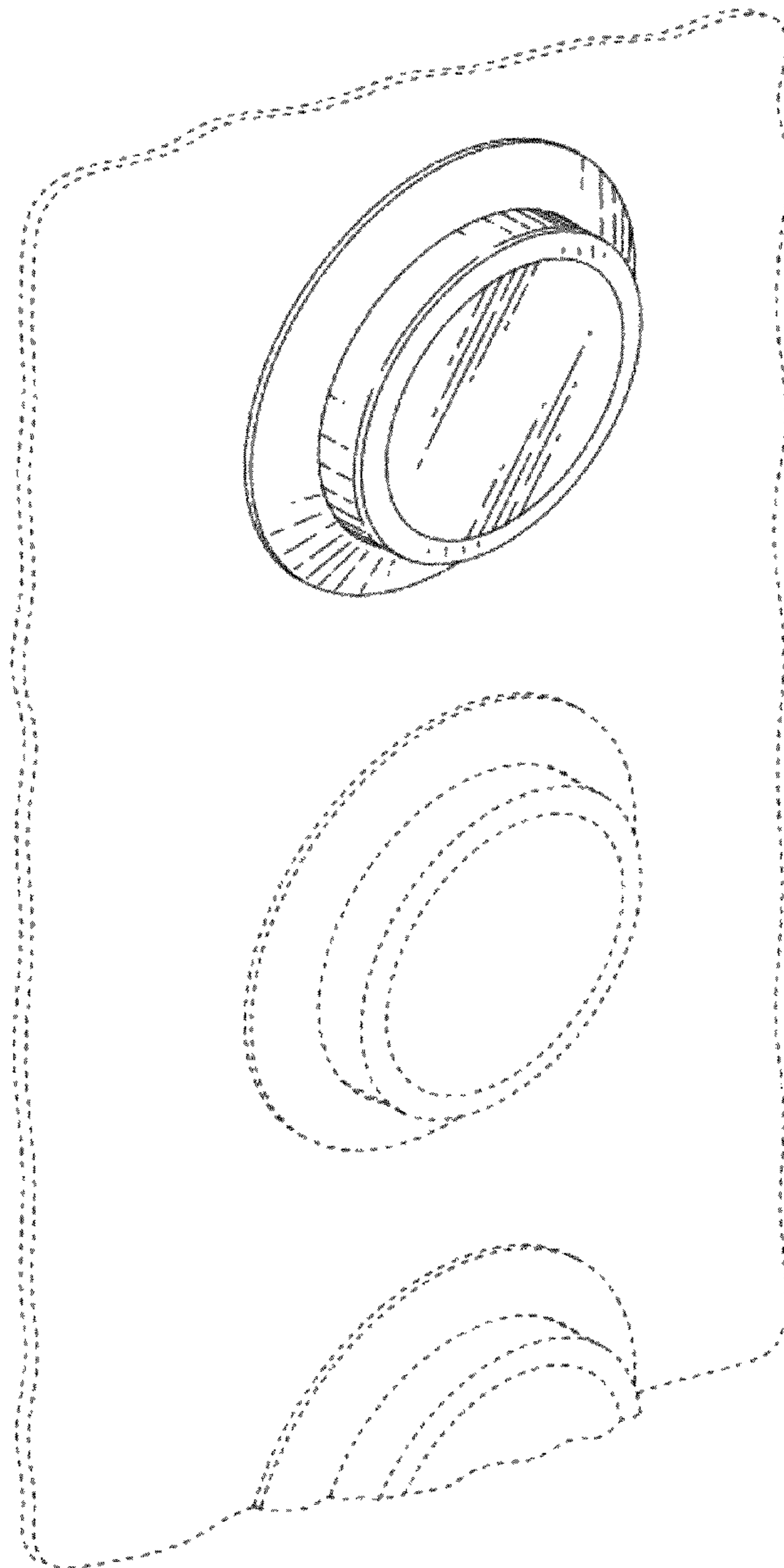


Fig. 7