



US00D654879S

(12) **United States Design Patent**
Li et al.

(10) **Patent No.:** **US D654,879 S**
(45) **Date of Patent:** **** Feb. 28, 2012**

(54) **INLINE DIMMER**

(75) Inventors: **Eddie Ping Kuen Li**, Hong Kong (CN);
Sue-Anne Tean Leung, Hong Kong
(CN)

(73) Assignee: **Huizhou Light Engine Ltd.**, Huizhou,
Guangdong (CN)

(**) Term: **14 Years**

(21) Appl. No.: **29/377,593**

(22) Filed: **Oct. 22, 2010**

(51) **LOC (9) Cl.** **13-03**

(52) **U.S. Cl.** **D13/170**

(58) **Field of Classification Search** D13/138.1,
D13/158, 170; 200/5 R, 5 A, 293, 302.1,
200/308, 310, 329, 341; 307/139, 157; 315/209 R,
315/224, 246, 291, 294, 295; 439/417
See application file for complete search history.

(56) **References Cited**

U.S. PATENT DOCUMENTS

D307,579 S *	5/1990	Layne et al.	D13/137.3
D367,261 S *	2/1996	Hansen	D13/138.1
5,499,930 A *	3/1996	Cieri	439/417
D391,922 S *	3/1998	Aromin	D13/160
D559,795 S *	1/2008	Valentin et al.	D13/171
D568,259 S *	5/2008	Valentin et al.	D13/171
D626,921 S *	11/2010	Pang	D13/158

D630,593 S *	1/2011	Clymer et al.	D13/160
D638,372 S *	5/2011	Clymer et al.	D13/160
D646,640 S *	10/2011	Clymer et al.	D13/160
2003/0107328 A1 *	6/2003	Ling	315/276
2011/0050106 A1 *	3/2011	Yang	315/133
2011/0193492 A1 *	8/2011	Lin	315/294

* cited by examiner

Primary Examiner — Selina Sikder

(74) *Attorney, Agent, or Firm* — Dickstein Shapiro LLP

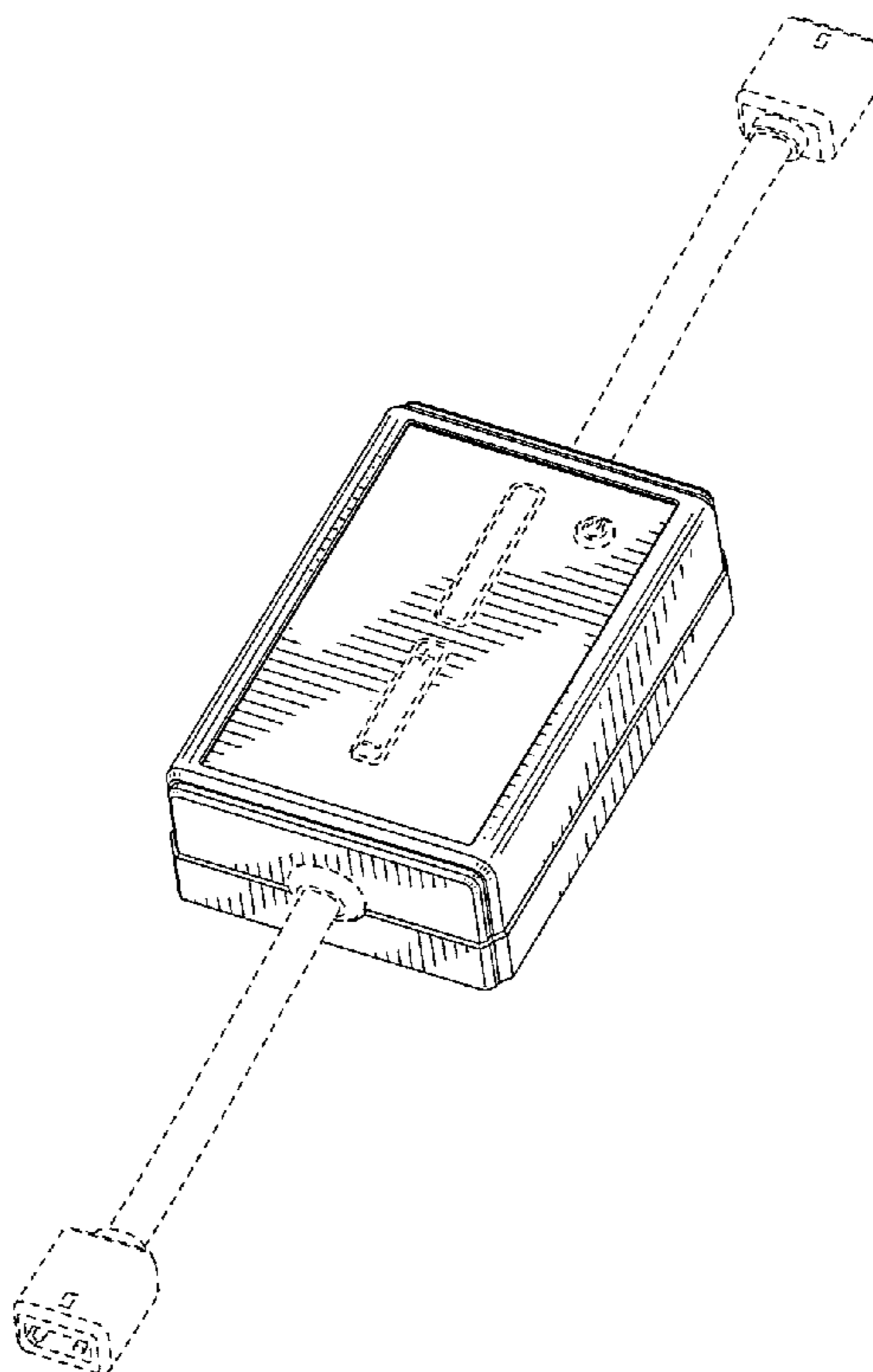
(57) **CLAIM**

The ornamental design for an inline dimmer, as shown and described.

DESCRIPTION

FIG. 1 is a perspective view of an inline dimmer showing our new design;
FIG. 2 is a top view of the inline dimmer shown in FIG. 1;
FIG. 3 is a right side view of the inline dimmer shown in FIG. 1;
FIG. 4 is a left side view of the inline dimmer shown in FIG. 1;
FIG. 5 is a bottom view of the inline dimmer shown in FIG. 1;
FIG. 6 is a front view of the inline dimmer shown in FIG. 1;
and,
FIG. 7 is a rear view of the inline dimmer shown in FIG. 1.
The broken lines shown in FIGS. 1-7 of the drawings are for illustrative purposes only and form no part of the claimed design.

1 Claim, 6 Drawing Sheets



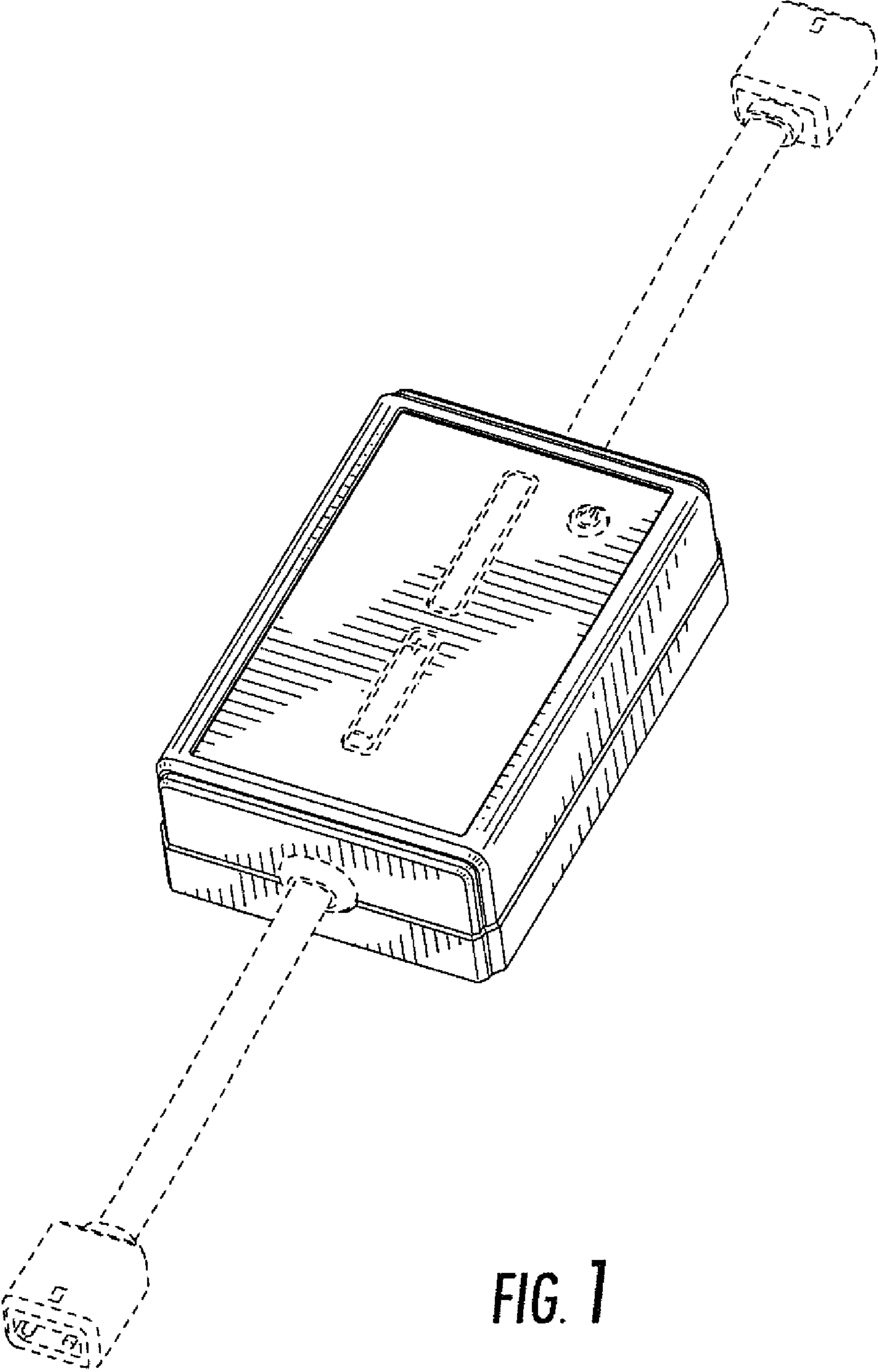


FIG. 1

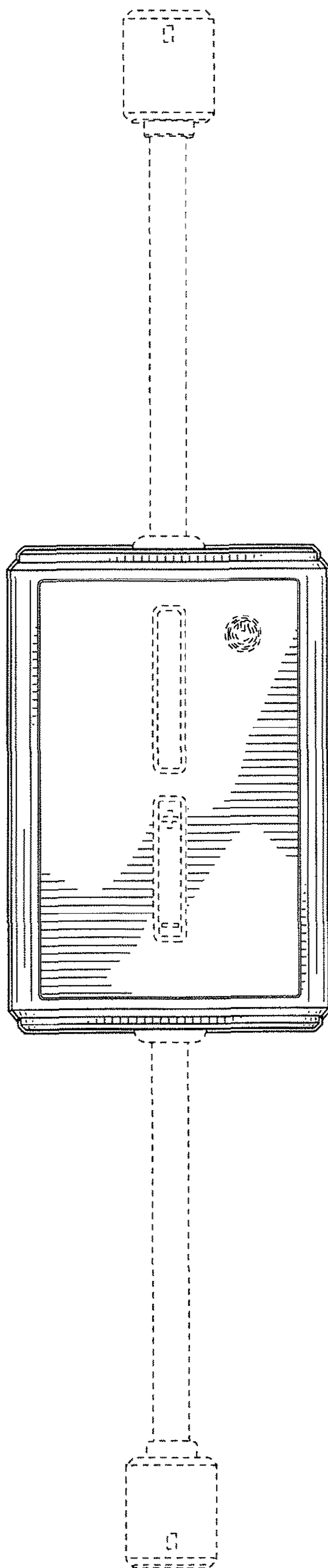


FIG. 2

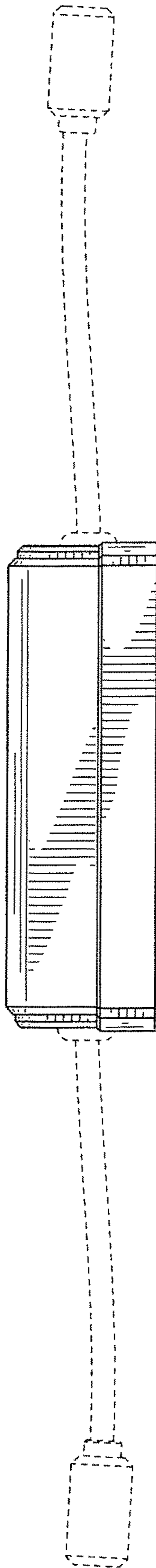


FIG. 3

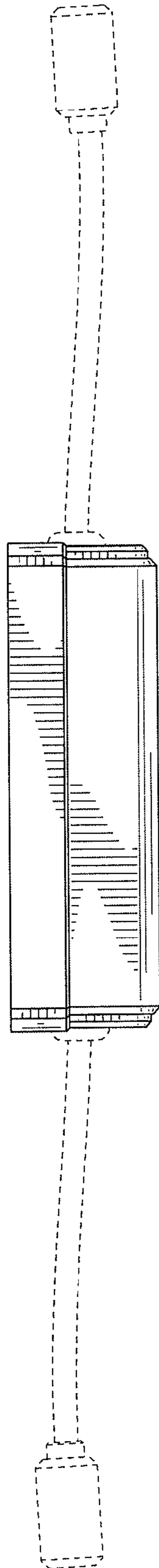


FIG. 4

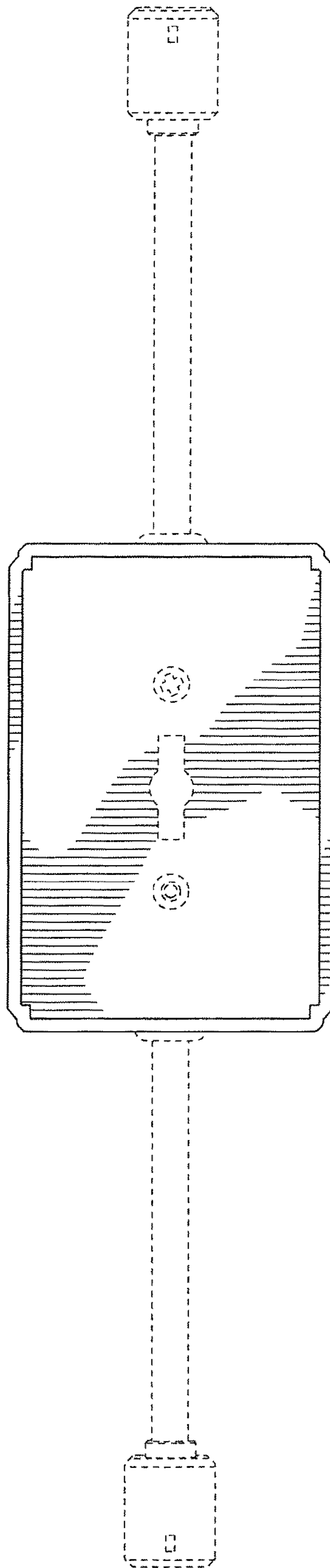


FIG. 5

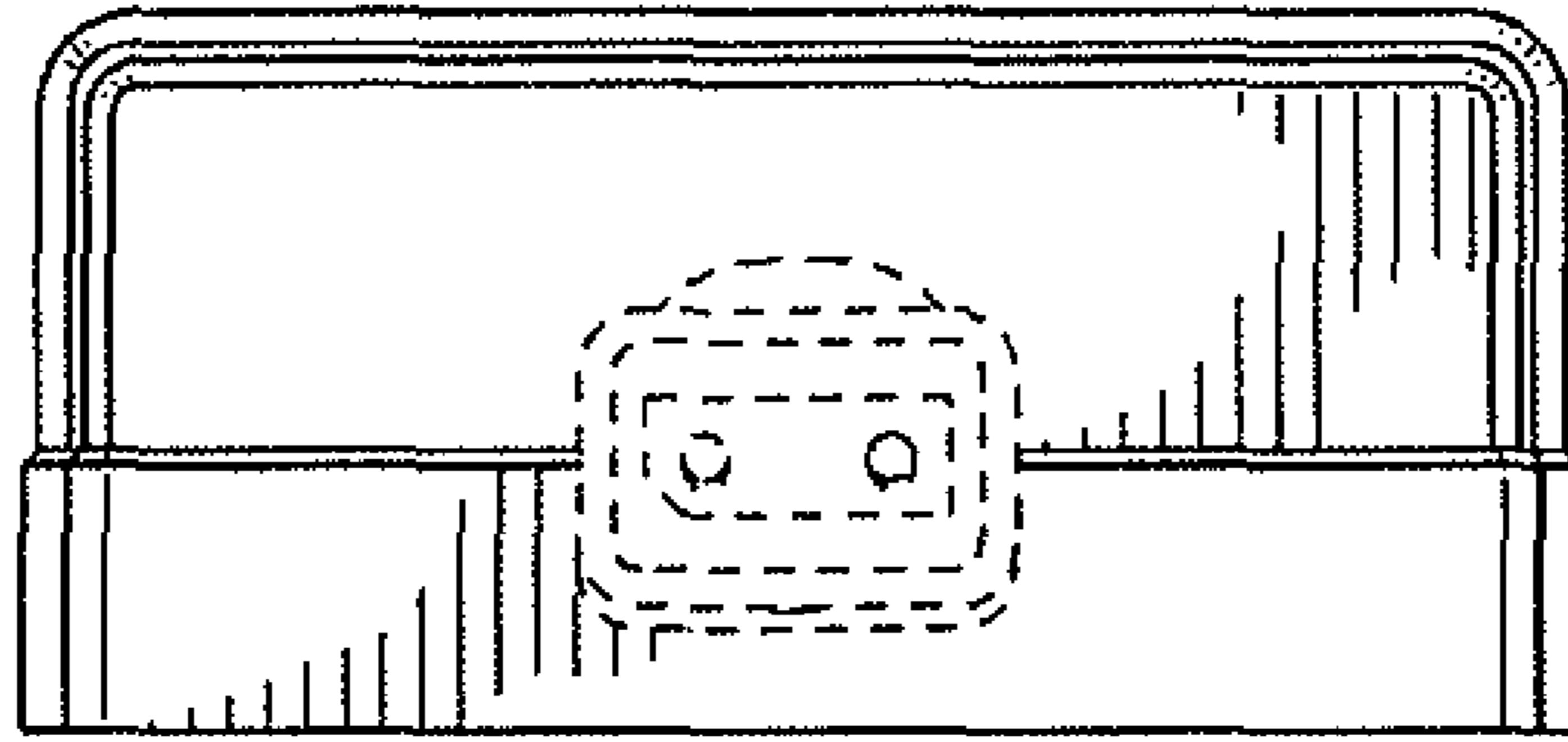


FIG. 6

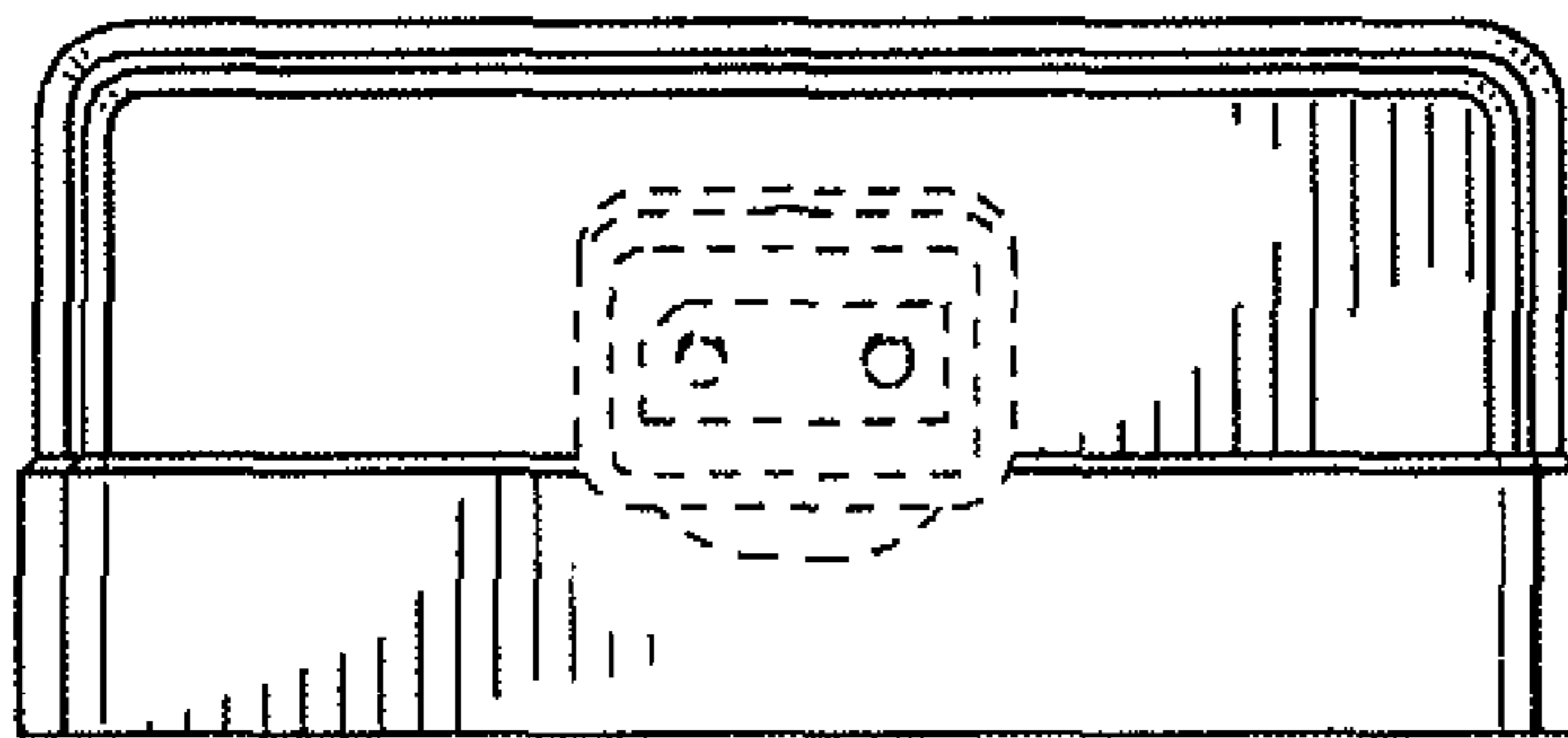


FIG. 7