



US00D654877S

(12) **United States Design Patent**  
**Ohtsuji**

(10) **Patent No.:** **US D654,877 S**

(45) **Date of Patent:** **\*\* Feb. 28, 2012**

(54) **ELECTRICAL CONNECTOR**

(75) Inventor: **Takahisa Ohtsuji**, Yao (JP)

(73) Assignee: **Hosiden Corporation**, Yao-shi (JP)

(\*\*) Term: **14 Years**

(21) Appl. No.: **29/386,998**

(22) Filed: **Mar. 8, 2011**

(30) **Foreign Application Priority Data**

Sep. 10, 2010	(JP)	.....	2010-021849
Sep. 10, 2010	(JP)	.....	2010-021850
Sep. 10, 2010	(JP)	.....	2010-021851

(51) **LOC (9) Cl.** ..... **13-03**

(52) **U.S. Cl.** ..... **D13/147**

(58) **Field of Classification Search** ..... D13/147,  
D13/154, 184, 199; 439/79, 108, 378, 567,  
439/607.01, 607.04, 607.05, 607.17, 607.25,  
439/607.34, 607.41, 607.53, 668, 680

See application file for complete search history.

(56) **References Cited**

U.S. PATENT DOCUMENTS

D559,192	S	*	1/2008	Arai et al.	.....	D13/147
D602,872	S	*	10/2009	Arai et al.	.....	D13/147
D617,736	S	*	6/2010	Masumoto et al.	.....	D13/147
D628,161	S	*	11/2010	Arai et al.	.....	D13/147

\* cited by examiner

*Primary Examiner* — Daniel Bui

(74) *Attorney, Agent, or Firm* — Rankin, Hill & Clark LLP

(57) **CLAIM**

The ornamental design for an electrical connector, as shown and described.

**DESCRIPTION**

FIG. 1 is a front, right side and bottom perspective view of an electrical connector showing my new design; FIG. 2 is a rear, right side and top perspective view thereof; FIG. 3 is a front elevation view thereof; FIG. 4 is a rear elevation view thereof; FIG. 5 is a left side view thereof, a right side view being a mirror image thereof; FIG. 6 is a top plan view thereof; and, FIG. 7 is a bottom plan view thereof. The broken lines shown in FIG. 3 are included for the purpose of illustrating unclaimed environment and form no part of the claimed design.

**1 Claim, 3 Drawing Sheets**

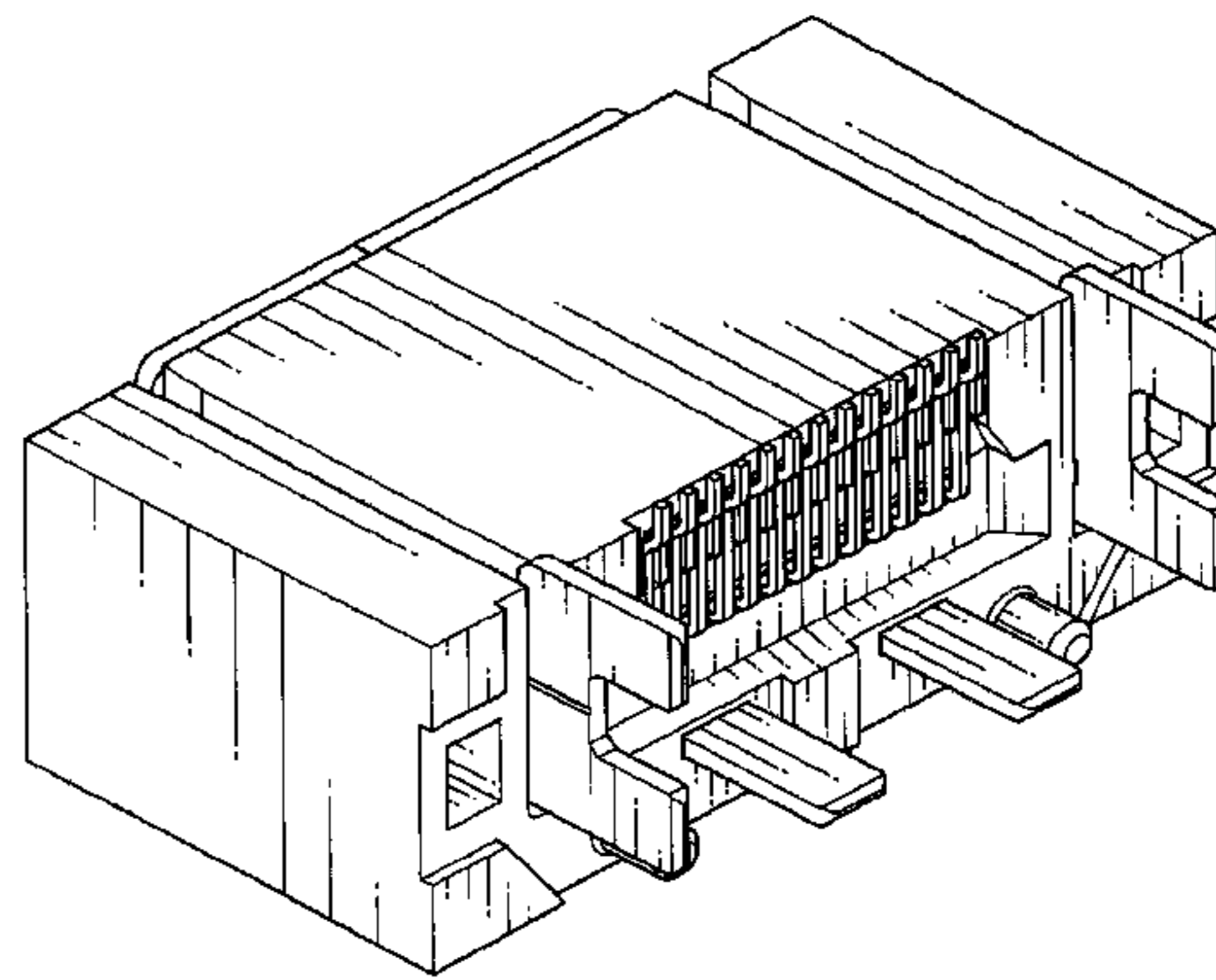
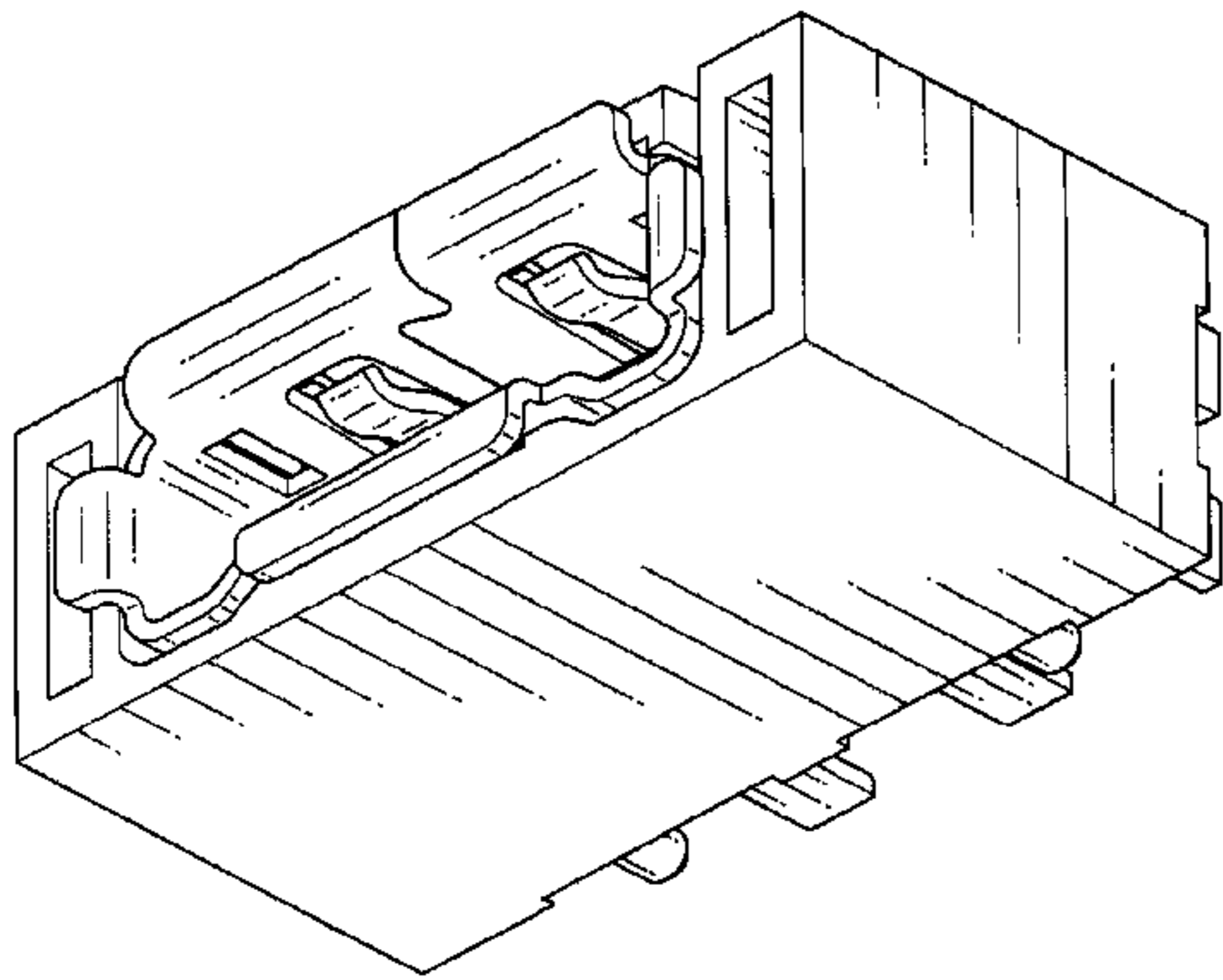


Fig. 1

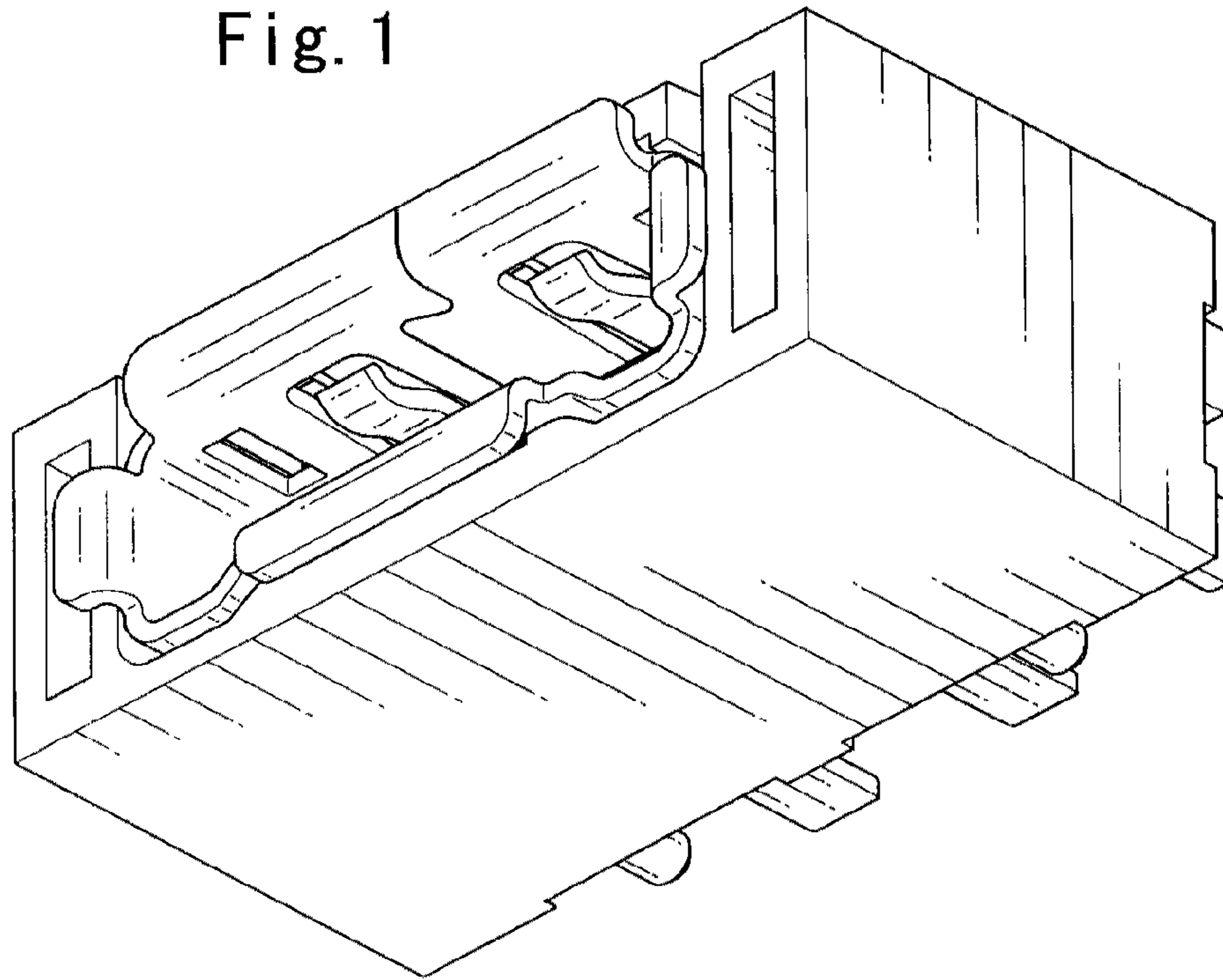


Fig. 2

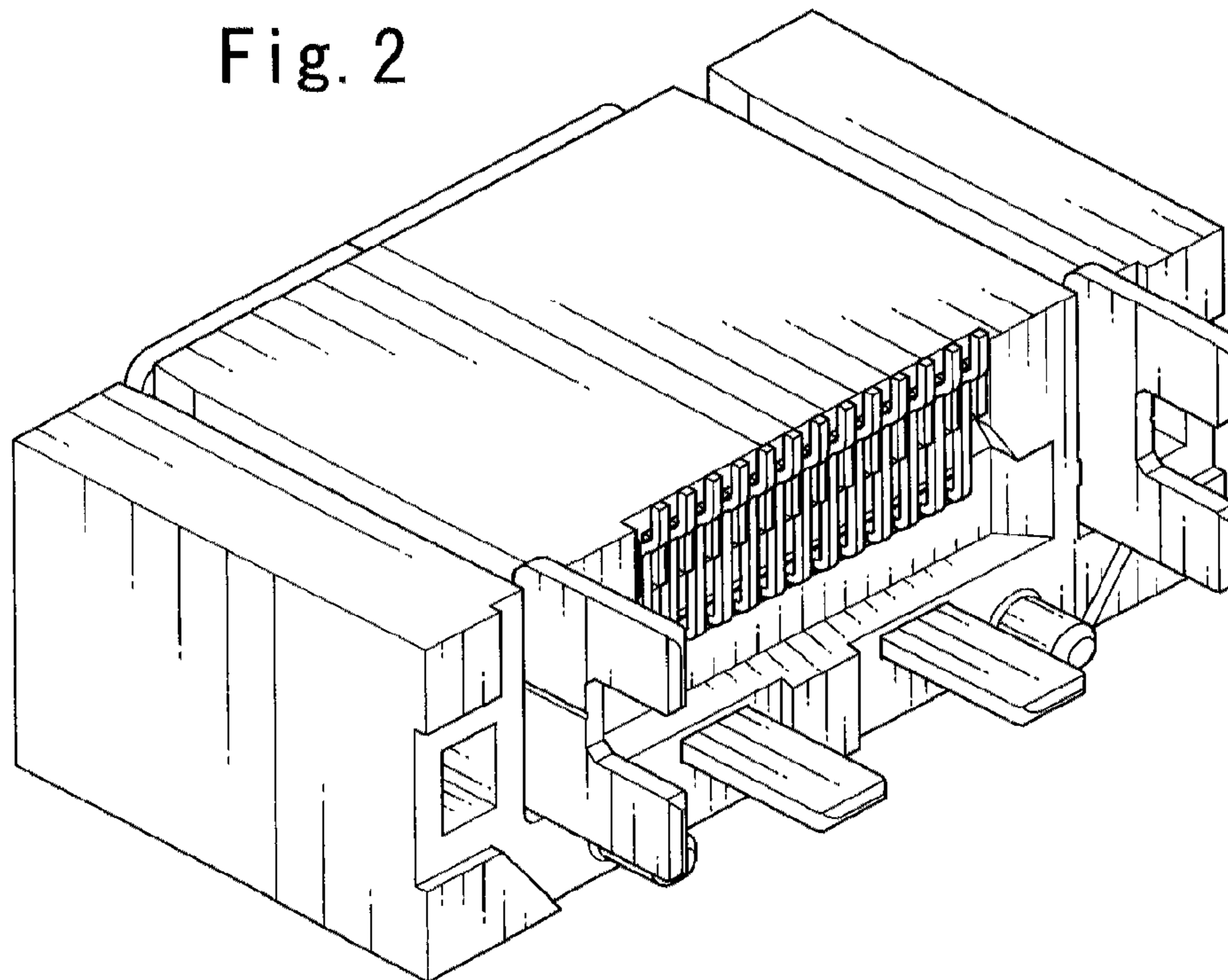


Fig. 3

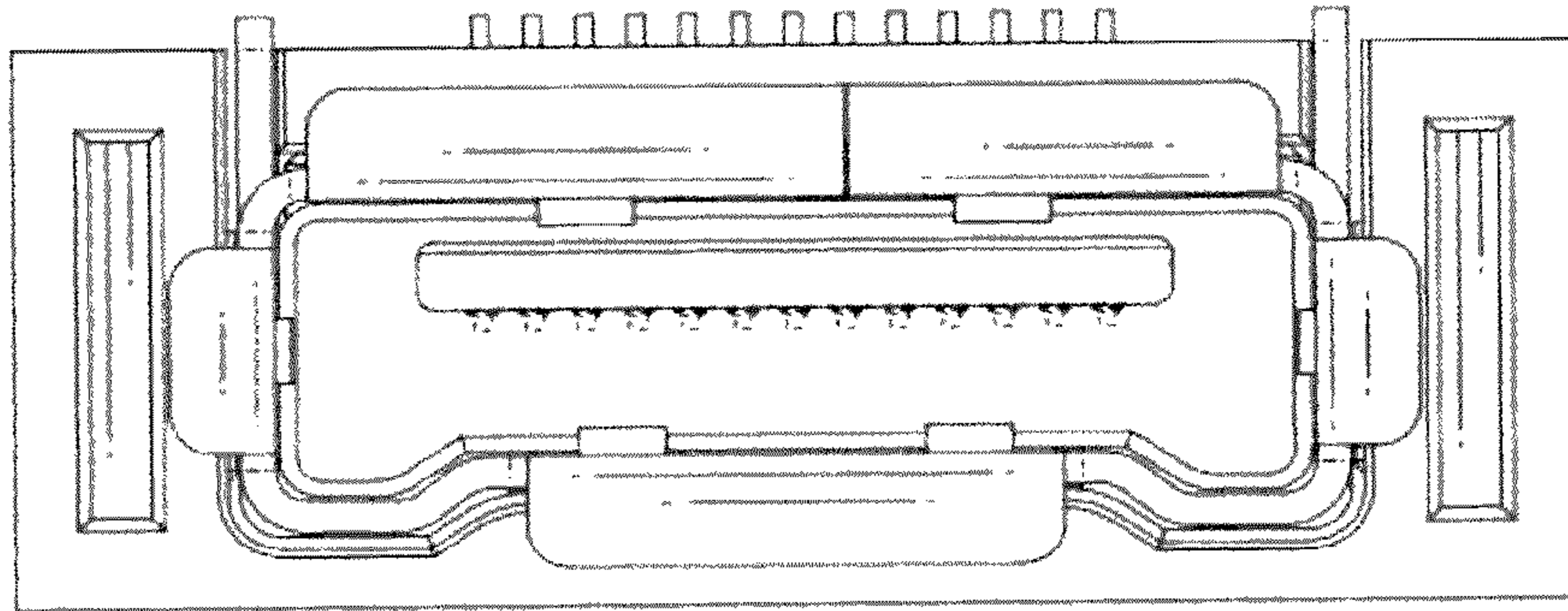


Fig. 4

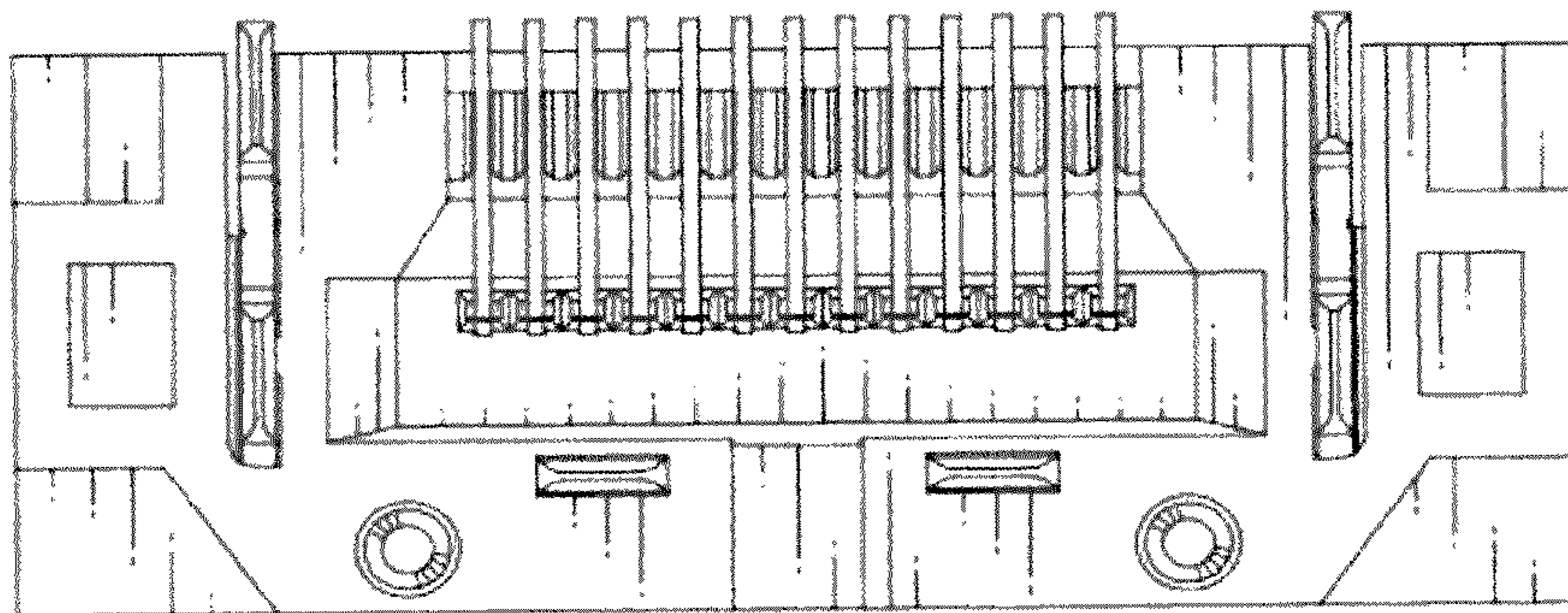


Fig. 5

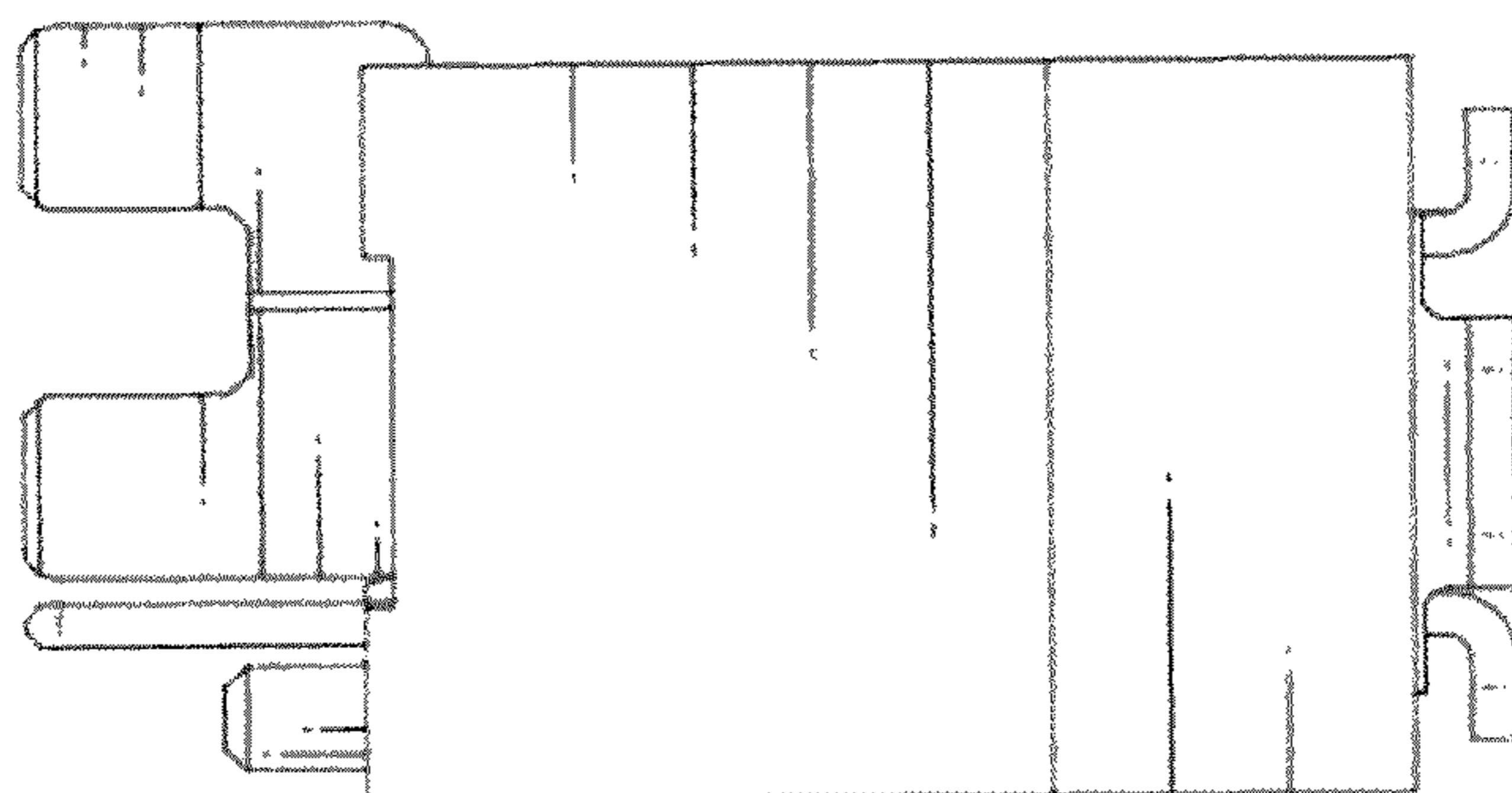


Fig. 6

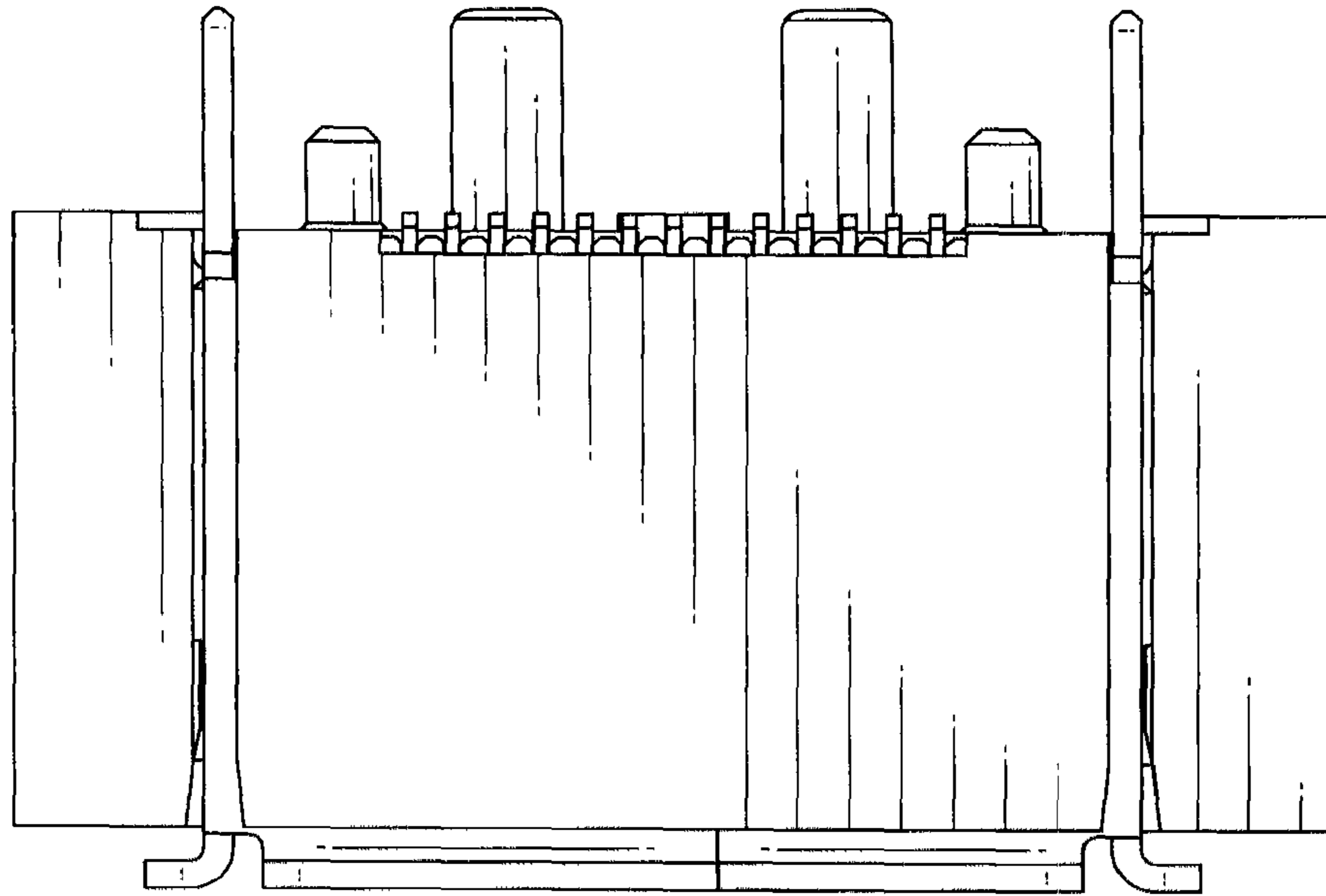


Fig. 7

