



US00D654876S

(12) **United States Design Patent**
Wang et al.

(10) **Patent No.:** **US D654,876 S**

(45) **Date of Patent:** **** Feb. 28, 2012**

(54) **ELECTRICAL CONNECTOR**

(75) Inventors: **Li-Jiang Wang**, Kunshan (CN);
Zhong-Hua Yao, Kunshan (CN);
Qi-Sheng Zheng, Kunshan (CN)

(73) Assignee: **Hon Hai Precision Ind. Co., Ltd.**, New Taipei (TW)

(**) Term: **14 Years**

(21) Appl. No.: **29/384,186**

(22) Filed: **Jan. 27, 2011**

(30) **Foreign Application Priority Data**

Aug. 13, 2010 (CN) 2010 3 0272027

(51) **LOC (9) Cl.** **13-03**

(52) **U.S. Cl.** **D13/147**

(58) **Field of Classification Search** D13/147,
D13/154, 184, 199; 439/79, 108, 378, 567,
439/607.1, 607.4, 607.5, 607.17, 607.25,
439/607.34, 607.41, 607.53, 668, 680
See application file for complete search history.

(56) **References Cited**

U.S. PATENT DOCUMENTS

D433,665 S * 11/2000 Huang D13/147
D508,679 S * 8/2005 Li et al. D13/147

D509,800 S * 9/2005 Hu et al. D13/147
D522,968 S * 6/2006 Hu et al. D13/147
D522,971 S * 6/2006 Shang-Yen et al. D13/147
D537,786 S * 3/2007 Li D13/147
D537,790 S * 3/2007 Chen D13/147
D592,145 S * 5/2009 Sun D13/147
D611,429 S * 3/2010 Chapman D13/154

* cited by examiner

Primary Examiner — Daniel Bui

(74) *Attorney, Agent, or Firm* — Wei Te Chung; Andrew C. Cheng; Ming Chieh Chang

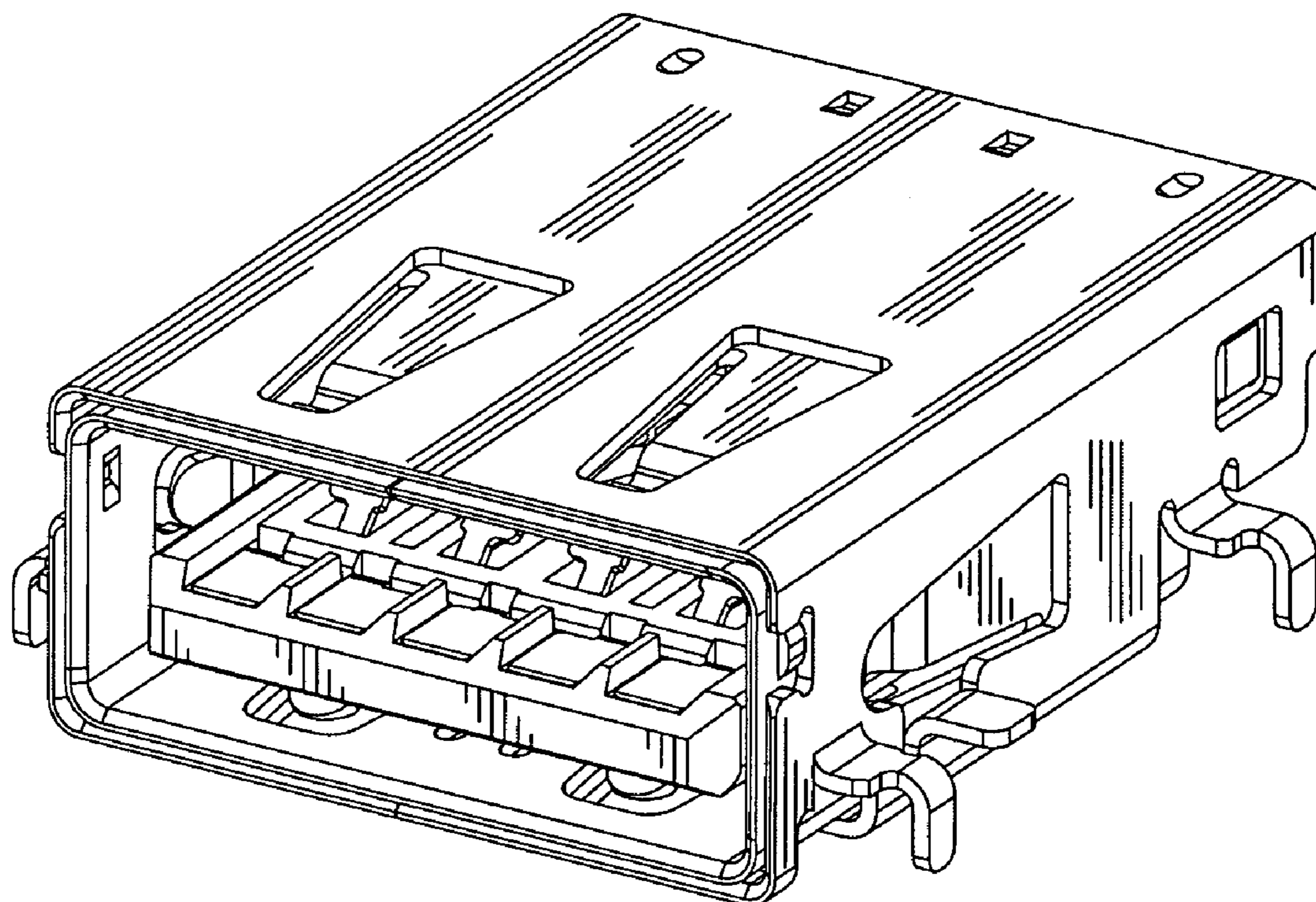
(57) **CLAIM**

The ornamental design for an electrical connector, as shown and described.

DESCRIPTION

FIG. 1 is a front, top and right side perspective view of an electrical connector showing our new design; FIG. 2 is a front elevational view thereof; FIG. 3 is a rear elevational view thereof; FIG. 4 is a left side elevational view thereof; FIG. 5 is a right side elevational view thereof; FIG. 6 is a top plan view thereof; and, FIG. 7 is a bottom plan view thereof. The broken line portion of the figure drawings is included for the purpose of illustrating environment and forms no part of the claimed design.

1 Claim, 7 Drawing Sheets



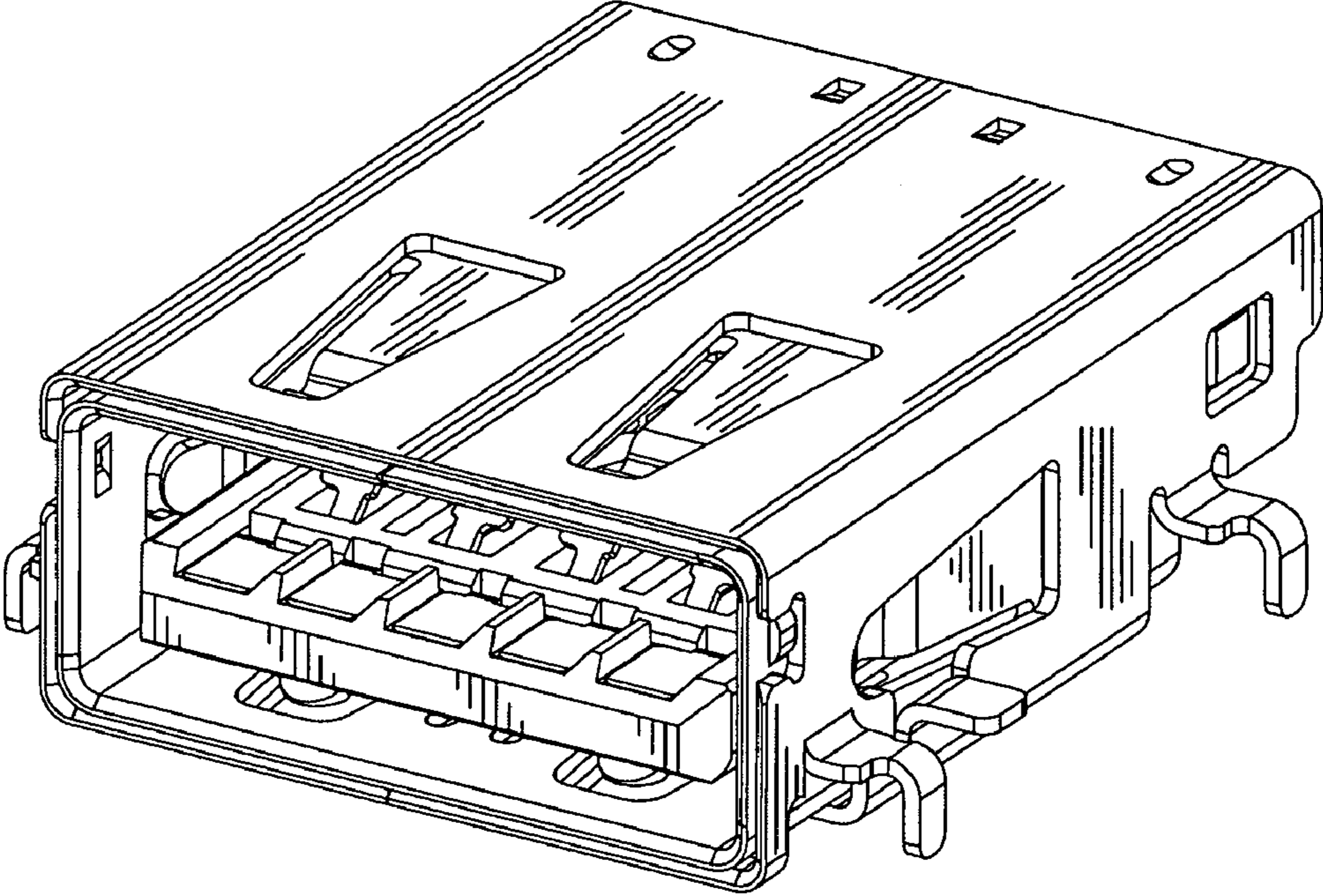


FIG. 1

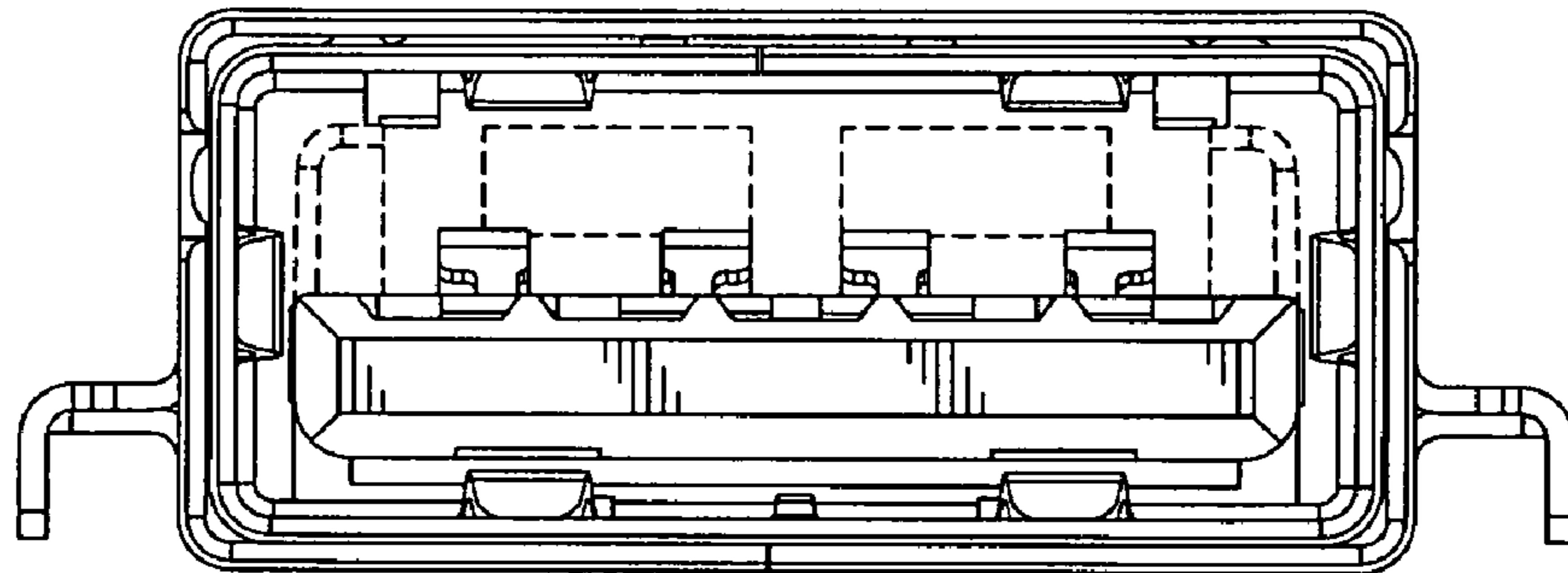


FIG. 2

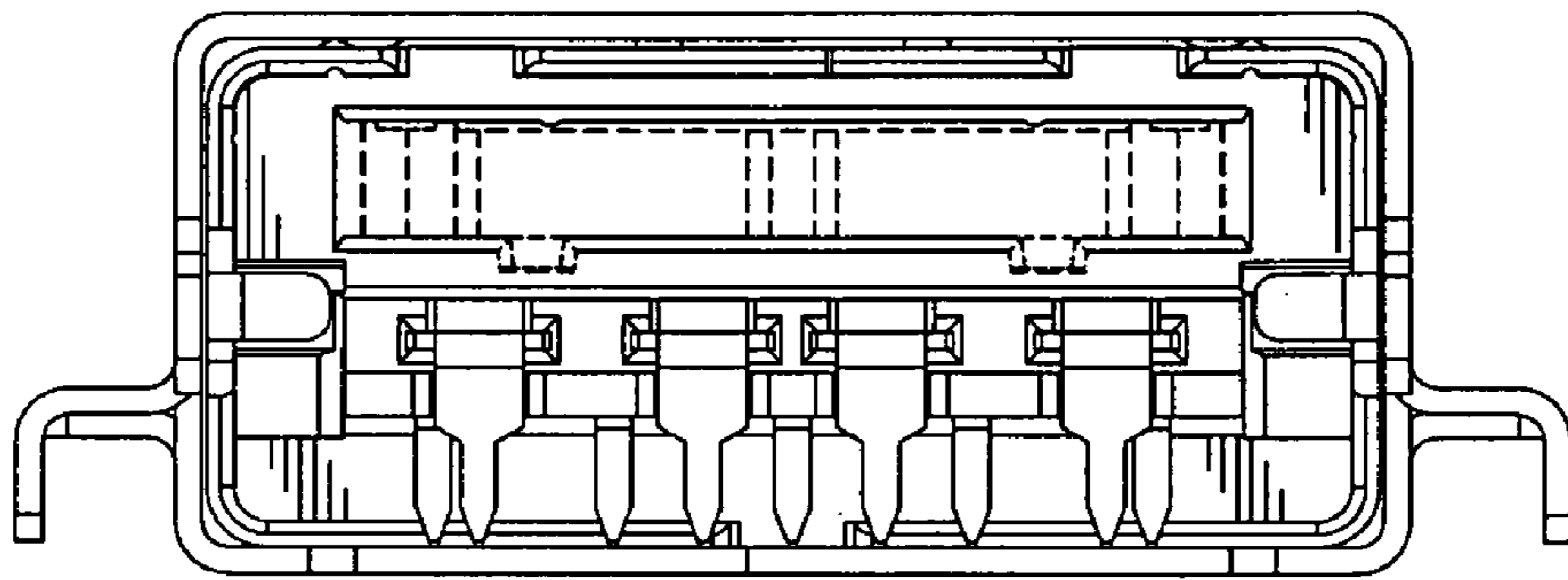


FIG. 3

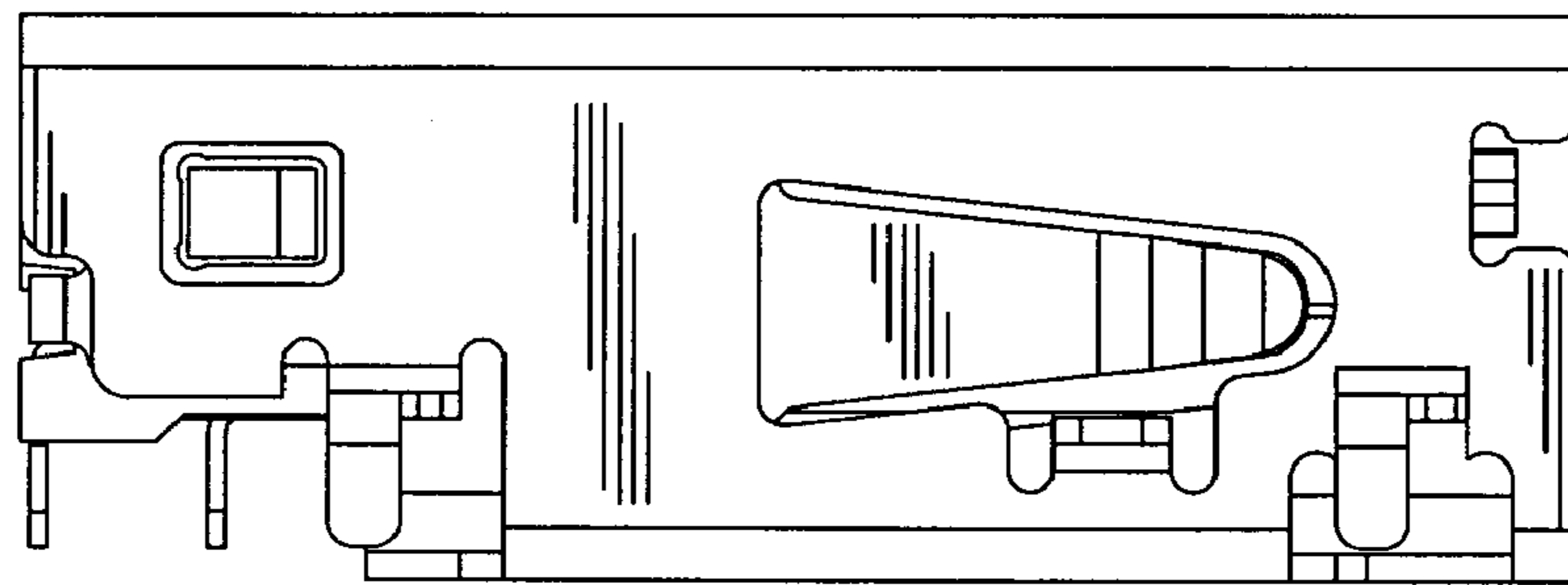


FIG. 4

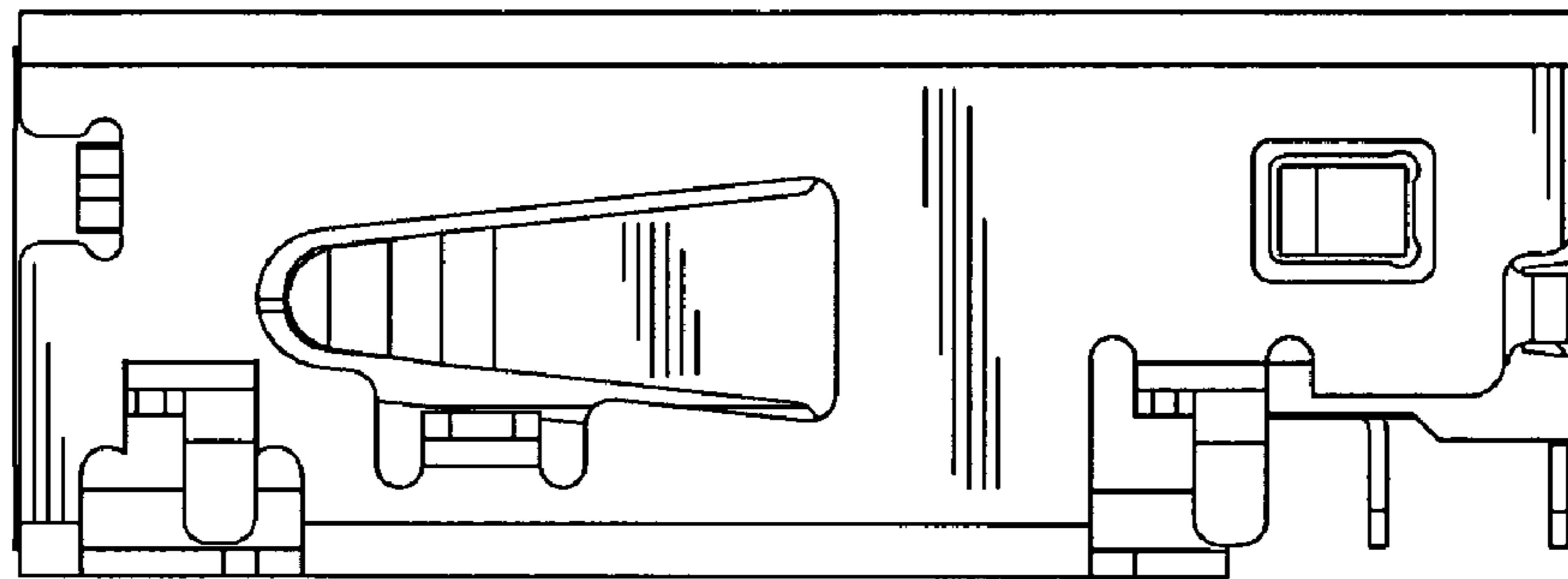


FIG. 5

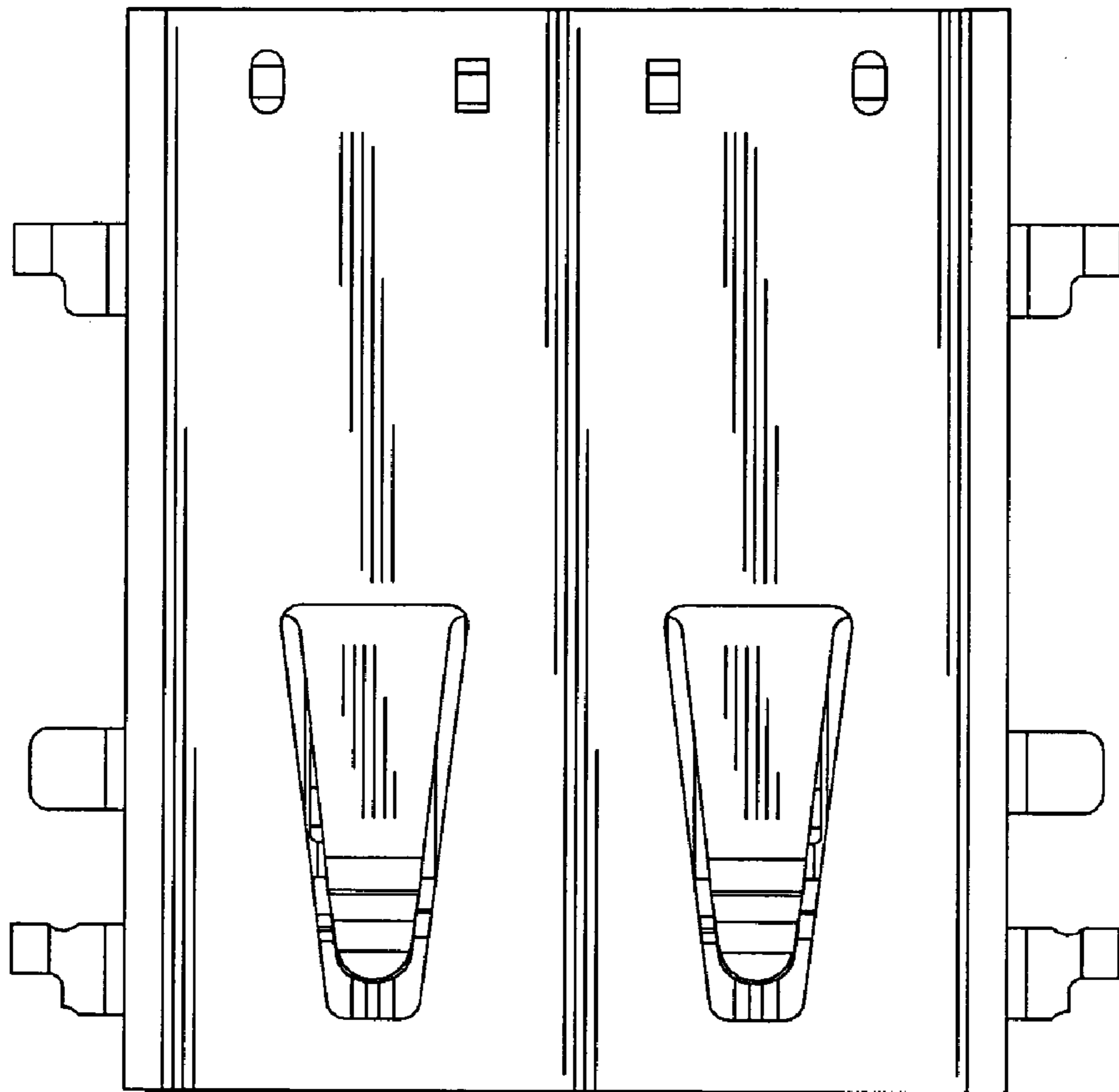


FIG. 6

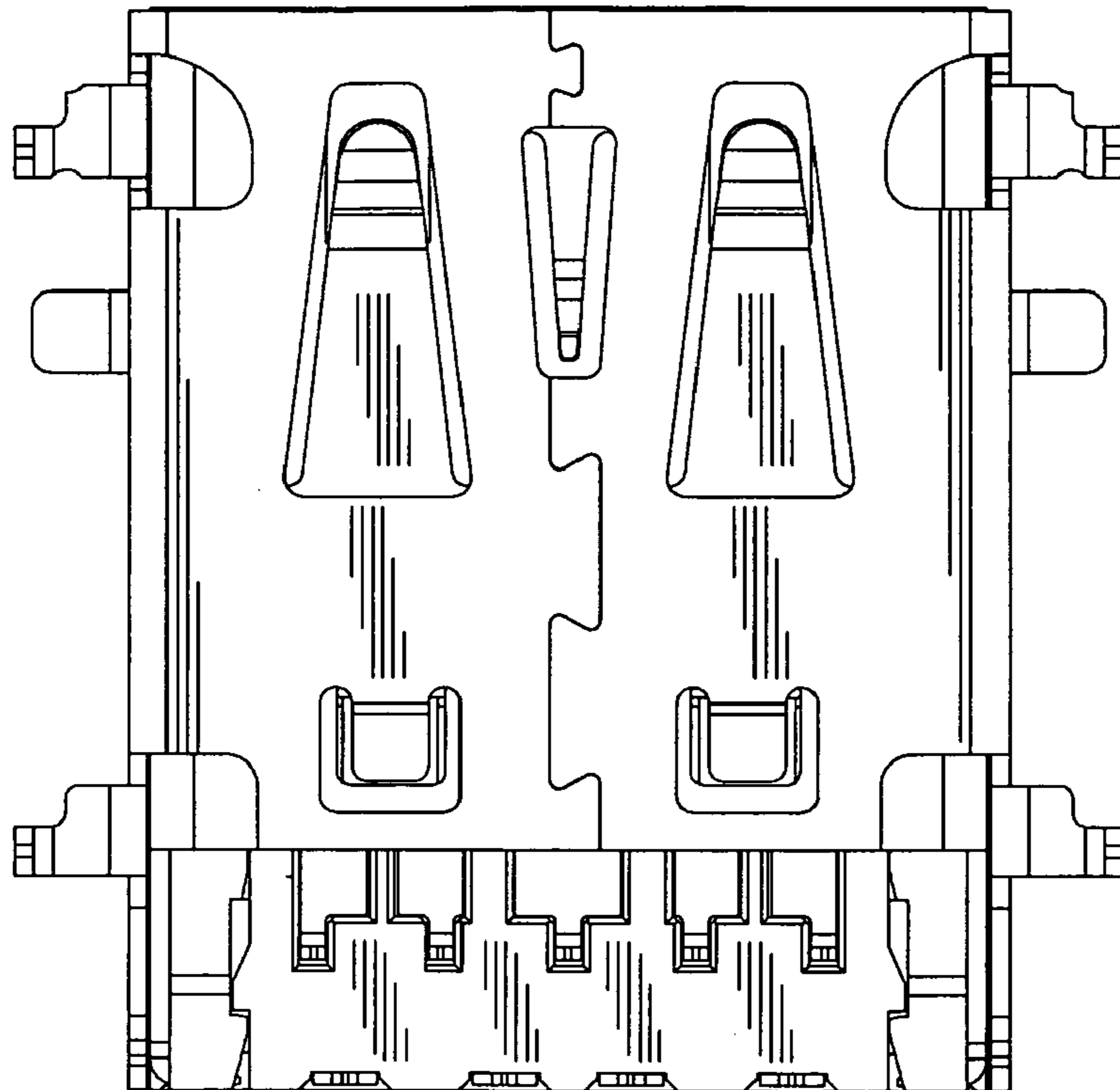


FIG. 7