



US00D654875S

(12) **United States Design Patent**  
**Au**

(10) **Patent No.:** **US D654,875 S**

(45) **Date of Patent:** **\*\* Feb. 28, 2012**

(54) **VEHICLE POWER ADAPTER**

(75) Inventor: **Ka Hung Au**, Hong Kong (CN)

(73) Assignee: **Ever Win International Corporation**,  
City of Industry, CA (US)

(\*\*) Term: **14 Years**

(21) Appl. No.: **29/401,097**

(22) Filed: **Sep. 7, 2011**

(51) **LOC (9) Cl.** ..... **13-03**

(52) **U.S. Cl.** ..... **D13/144**

(58) **Field of Classification Search** ..... D13/107,  
D13/108, 110, 118, 119, 120, 133, 144, 154,  
D13/184, 199; 320/107-109; 363/13, 146;  
439/300, 620.01, 638, 668-670, 675, 825  
See application file for complete search history.

(56) **References Cited**

**U.S. PATENT DOCUMENTS**

D604,699	S	*	11/2009	Yamamoto	.....	D13/144
7,679,322	B1	*	3/2010	Griffin	.....	320/114
D624,499	S	*	9/2010	Chan	.....	D13/144
D624,500	S	*	9/2010	Chan	.....	D13/144

D625,690	S	*	10/2010	Chan	.....	D13/144
D626,072	S	*	10/2010	Tseng et al.	.....	D13/144
D631,837	S	*	2/2011	Smith et al.	.....	D13/108

\* cited by examiner

*Primary Examiner* — Daniel Bui

(74) *Attorney, Agent, or Firm* — Joe Nieh

(57) **CLAIM**

The ornamental design for a vehicle power adapter, as shown and described.

**DESCRIPTION**

FIG. 1 is a top, front and right side perspective view of a vehicle power adapter showing my new design;

FIG. 2 is a bottom, front and right side perspective view thereof;

FIG. 3 is a front elevation view thereof,

FIG. 4 is a left side elevation view thereof,

FIG. 5 is a right side elevation view thereof;

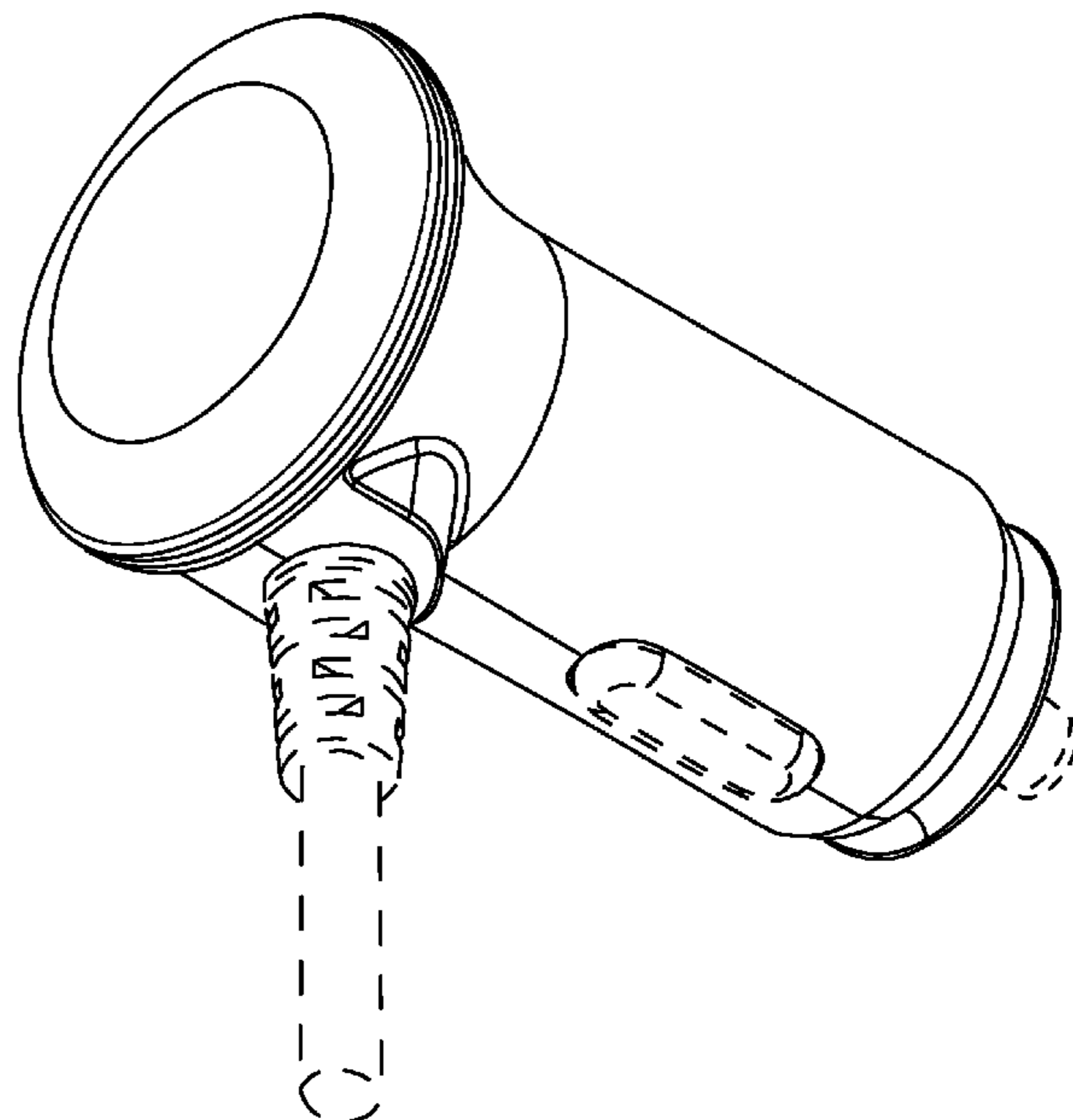
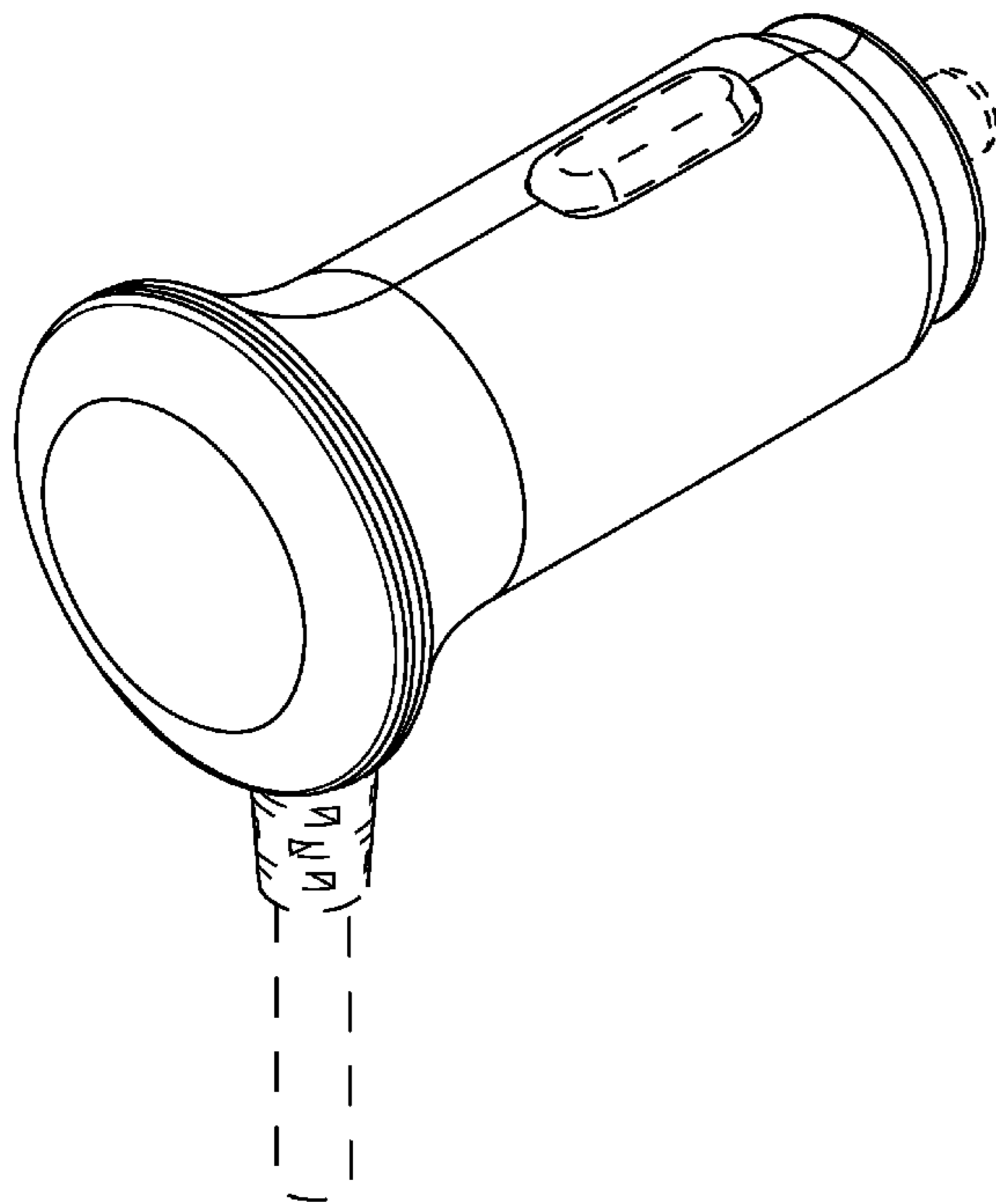
FIG. 6 is a rear elevation view thereof;

FIG. 7 is a top plan view thereof; and,

FIG. 8 is a bottom plan view thereof.

The broken line shown in the drawing views is included for the purpose of illustrating environment and forms no part of the claimed design.

**1 Claim, 8 Drawing Sheets**



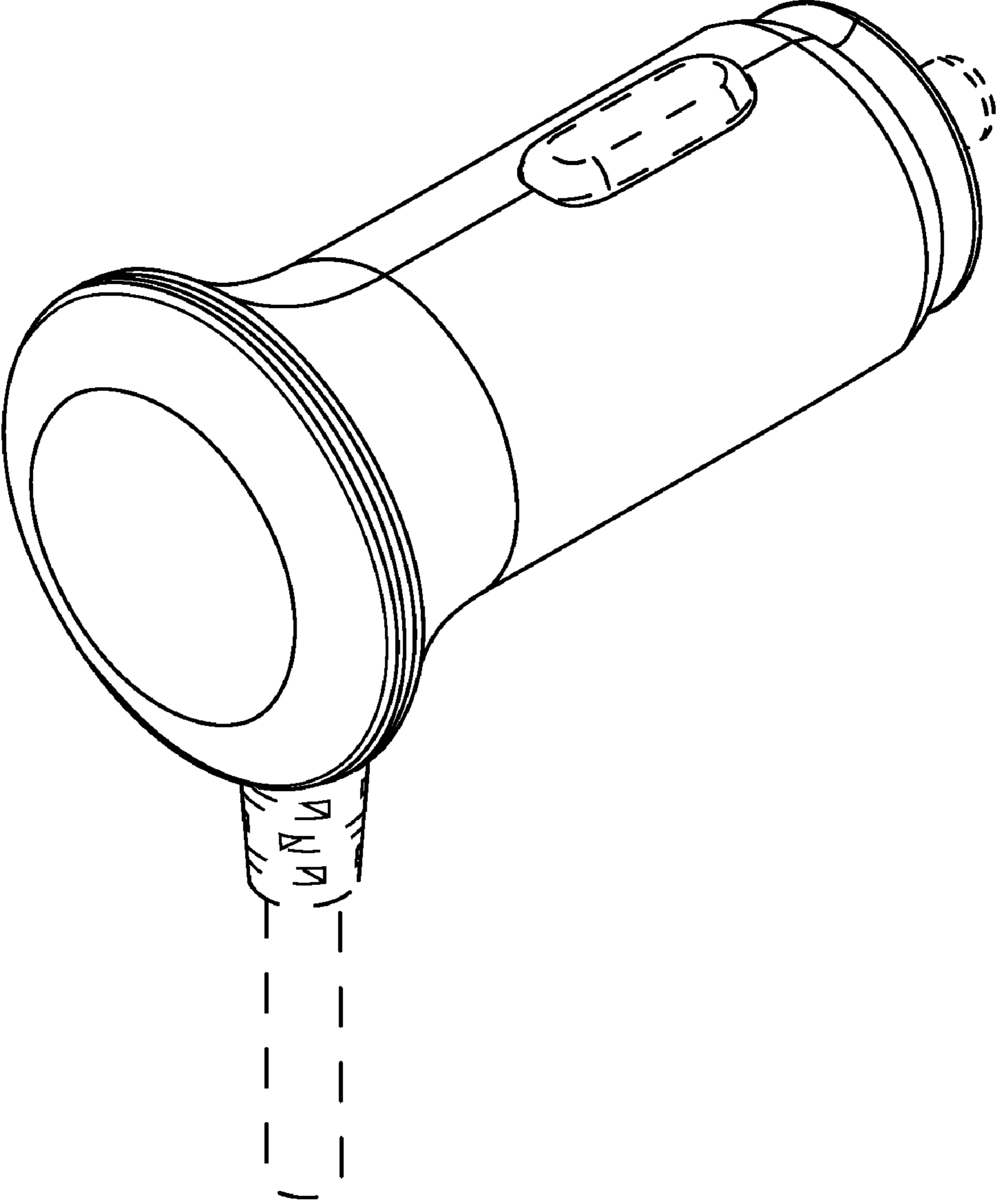


Fig. 1

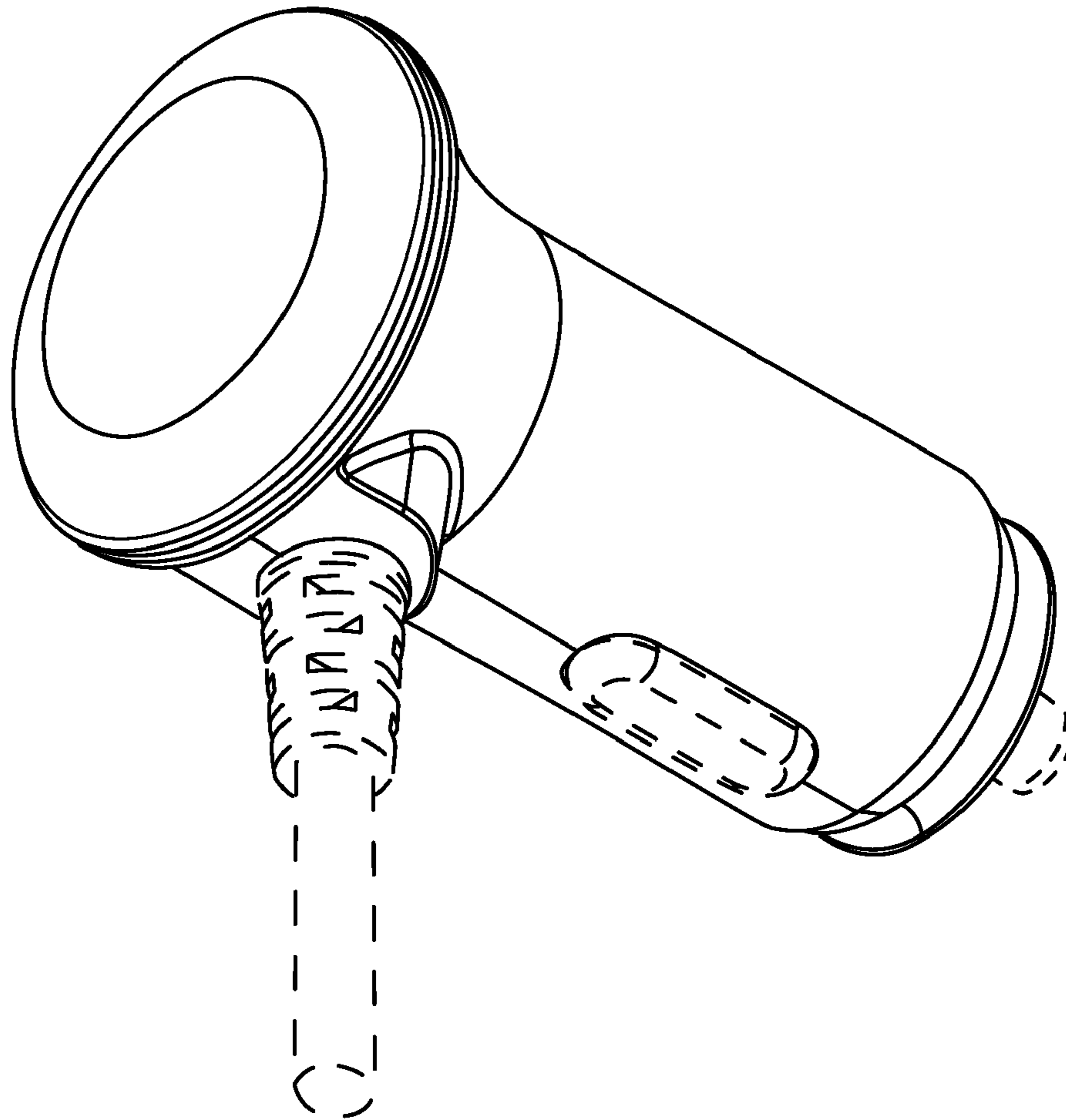


Fig. 2

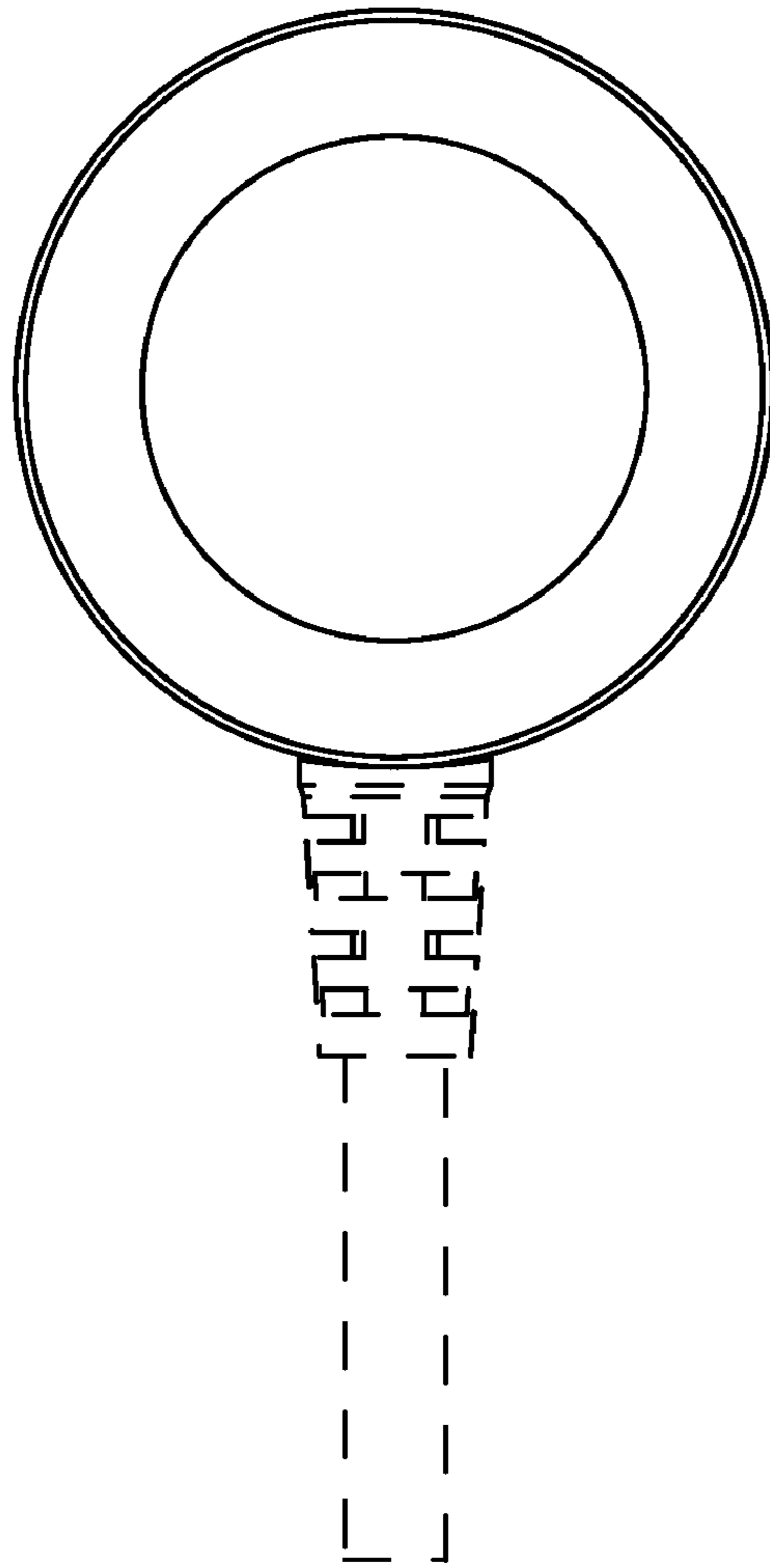


Fig. 3

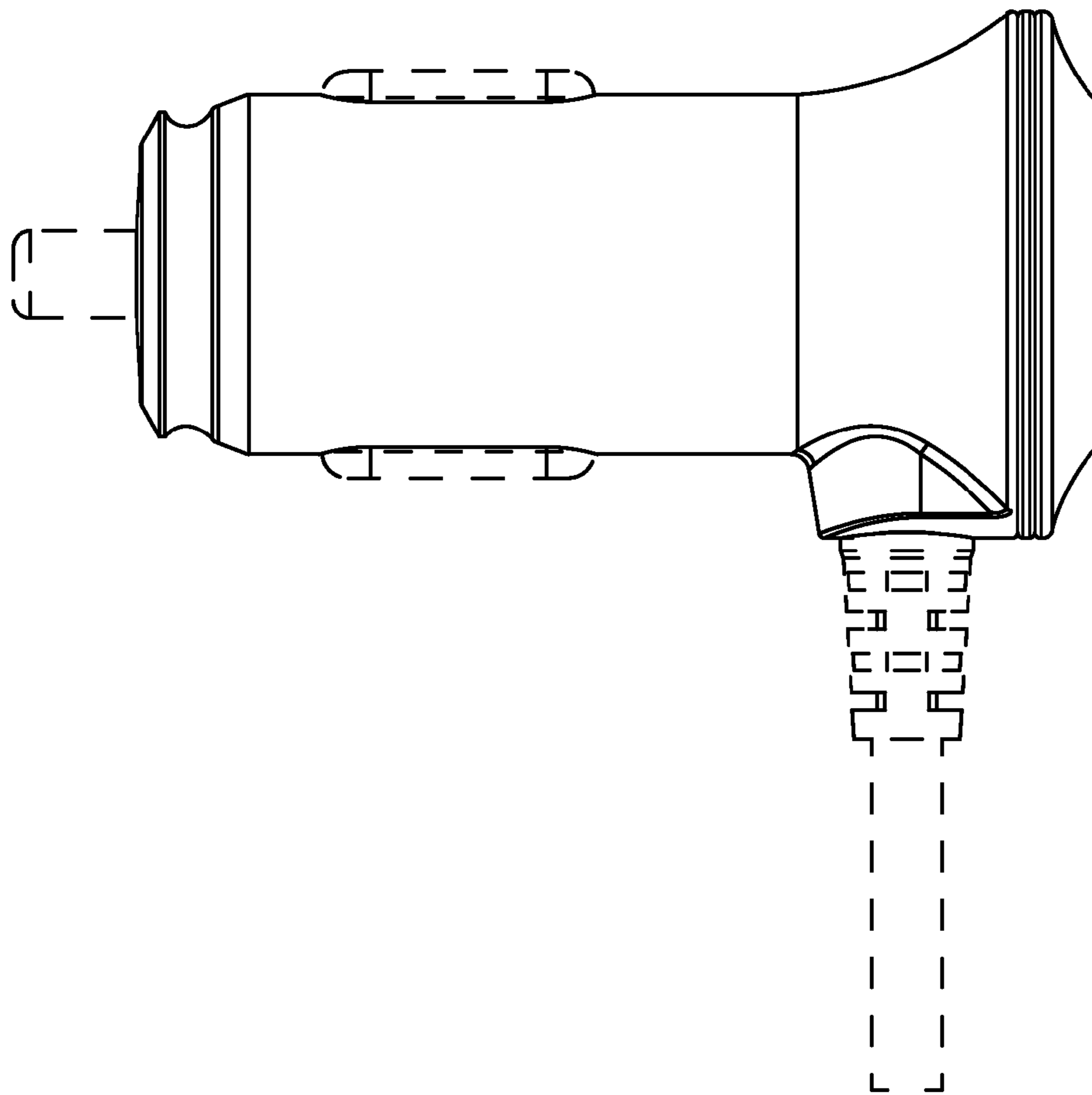


Fig. 4

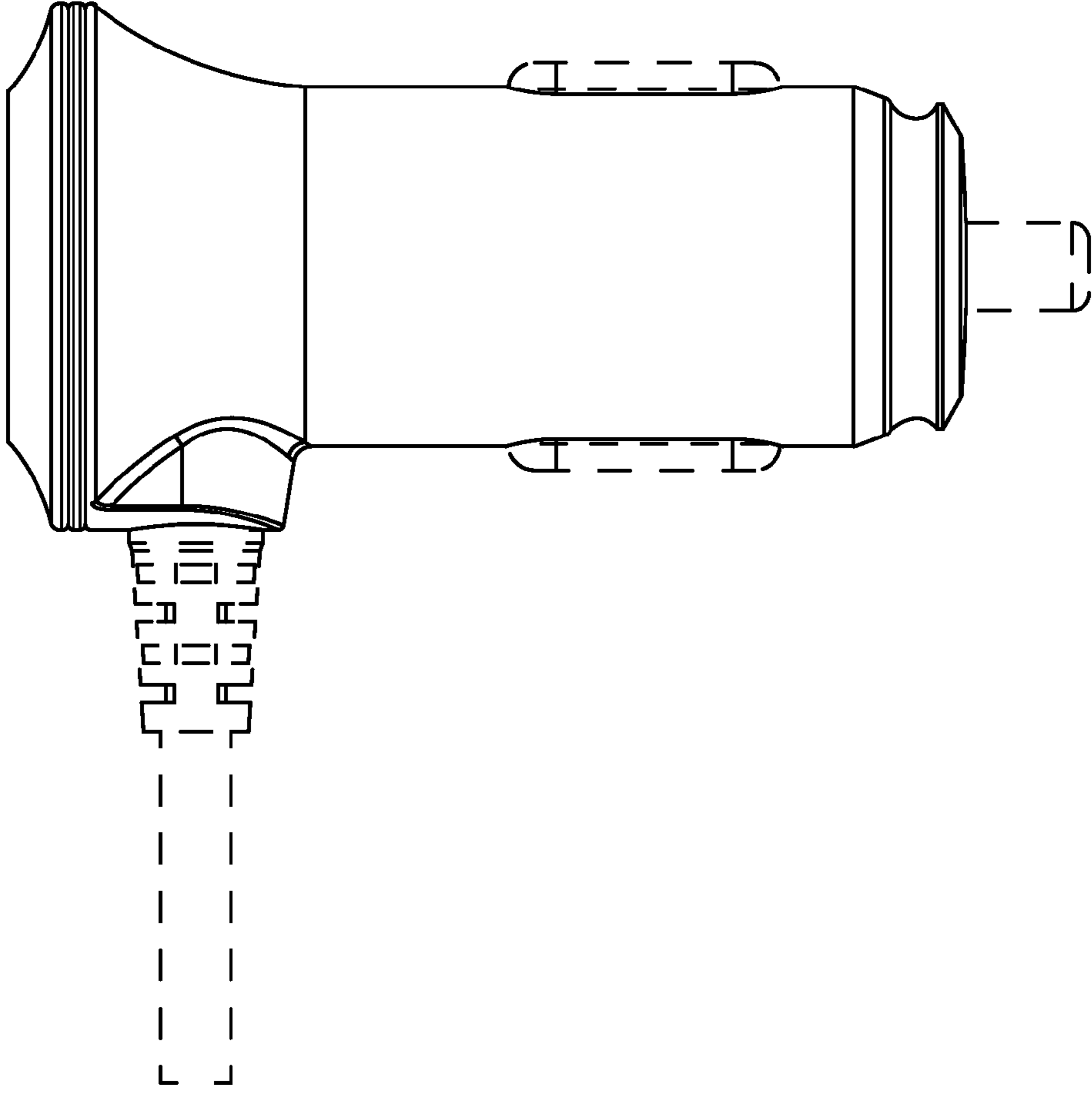


Fig. 5

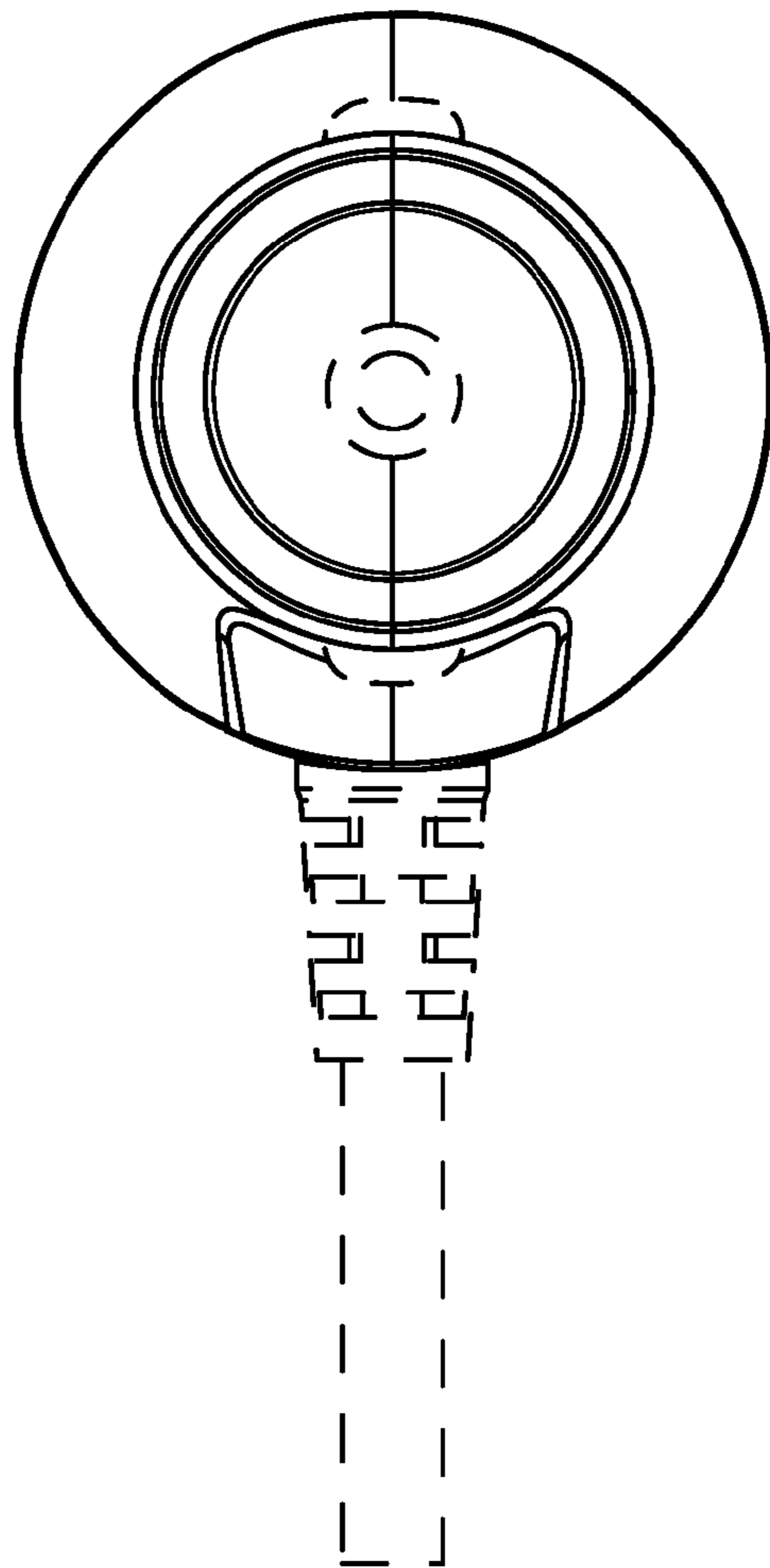


Fig. 6

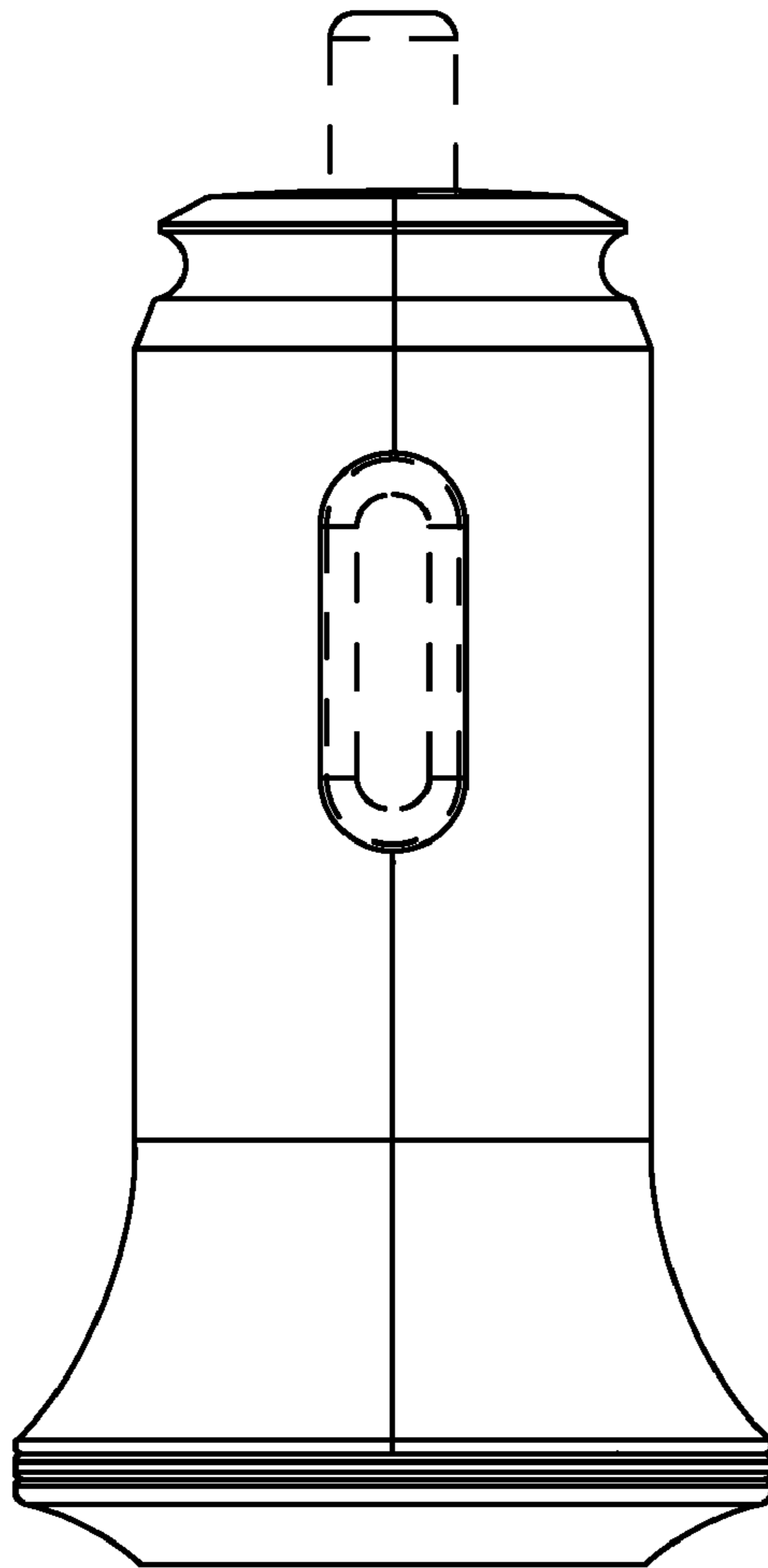


Fig. 7



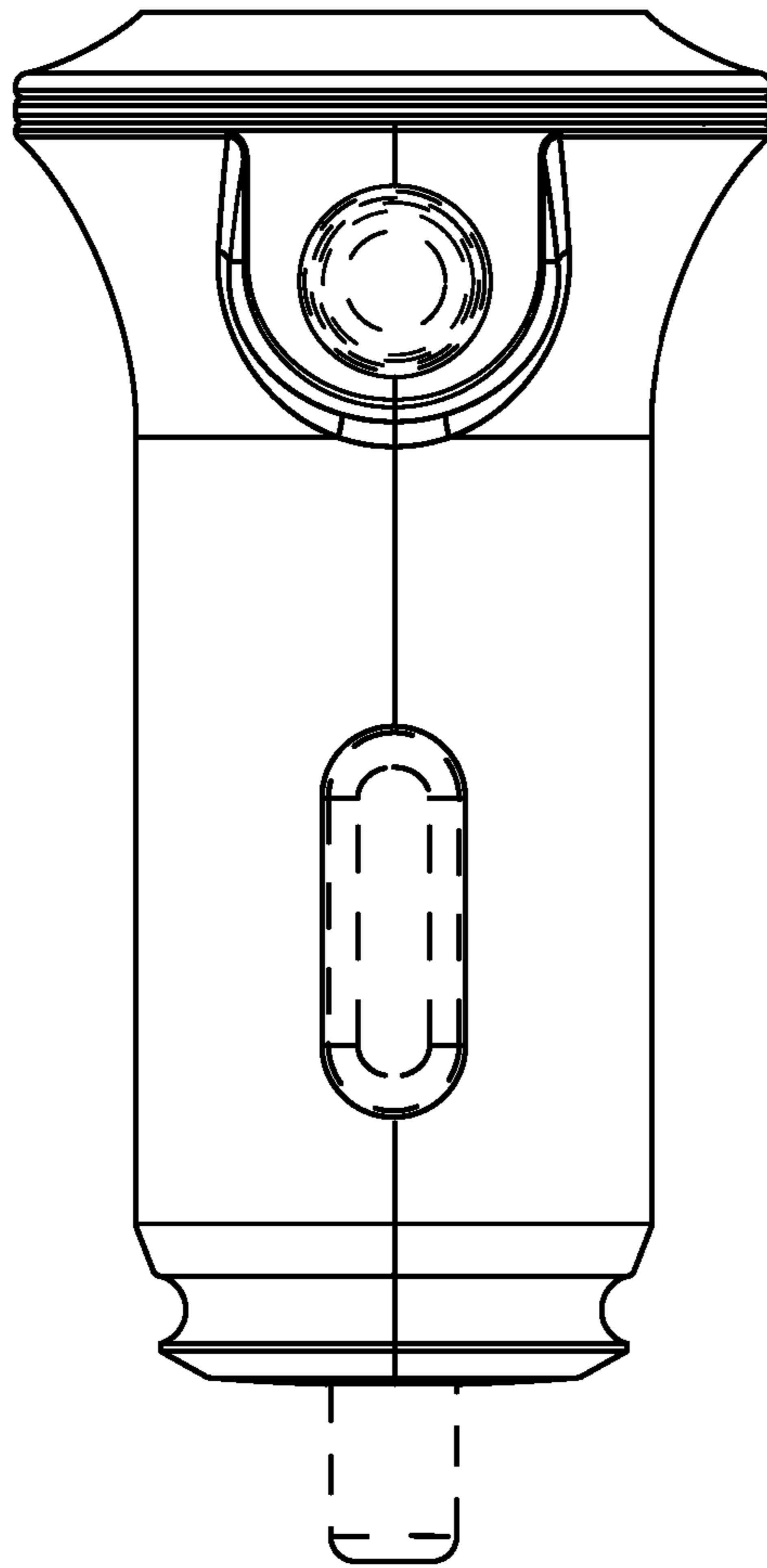


Fig. 8